

# United States Patent [19]

Hiroki

[11] Patent Number: Des. 321,005

[45] Date of Patent: \*\* Oct. 22, 1991

[54] ELECTRONIC COPYING MACHINE

D. 313,038 12/1990 Hara et al. .... D18/36  
4,530,598 7/1985 Kajita et al. .... 355/75

[75] Inventor: Shin-ichi Hiroki, Machiya, Japan

[73] Assignee: Kabushiki Kaisha Toshiba, Kawasaki, Japan

[\*\*] Term: 14 Years

[21] Appl. No.: 470,127

[22] Filed: Jan. 25, 1990

[30] Foreign Application Priority Data

Jul. 26, 1989 [JP] Japan ..... 1-27332

[52] U.S. Cl. .... D18/39; D18/36

[58] Field of Search ..... D18/36-39;  
D14/111, 112, 116, 118; 354/5, 6, 14, 100;  
355/43-45, 49-51, 66, 75, 112, 200, 210, 231,  
233-236, 245, 326-328

[56] References Cited

U.S. PATENT DOCUMENTS

D. 224,665 8/1972 Hoffman ..... D18/36  
D. 263,146 2/1982 Yamamoto ..... D18/37  
D. 296,901 7/1988 Kosako et al. .... D18/39  
D. 297,739 9/1988 Hashimoto et al. .... D18/37

OTHER PUBLICATIONS

Ricoh catalog of Ricopy FT4420.  
Ricoh catalog of Ricopy FT 6550.

Primary Examiner—Nelson C. Holtje  
Assistant Examiner—Caron D. Veynar  
Attorney, Agent, or Firm—Oblon, Spivak, McClelland,  
Maier & Neustadt

[57] CLAIM

The ornamental design for an electronic copying machine, as shown.

DESCRIPTION

FIG. 1 is a top, front and right side perspective view of an electronic copying machine showing my new design, with a cover in an open position;  
FIG. 2 is a top plan view thereof;  
FIG. 3 is a front elevational view thereof;  
FIG. 4 is a right side elevational view thereof;  
FIG. 5 is a left side elevational view thereof;  
FIG. 6 is a rear elevational view thereof; and  
FIG. 7 is a bottom plan view thereof.  
FIGS. 2-7 show the cover in the closed position.

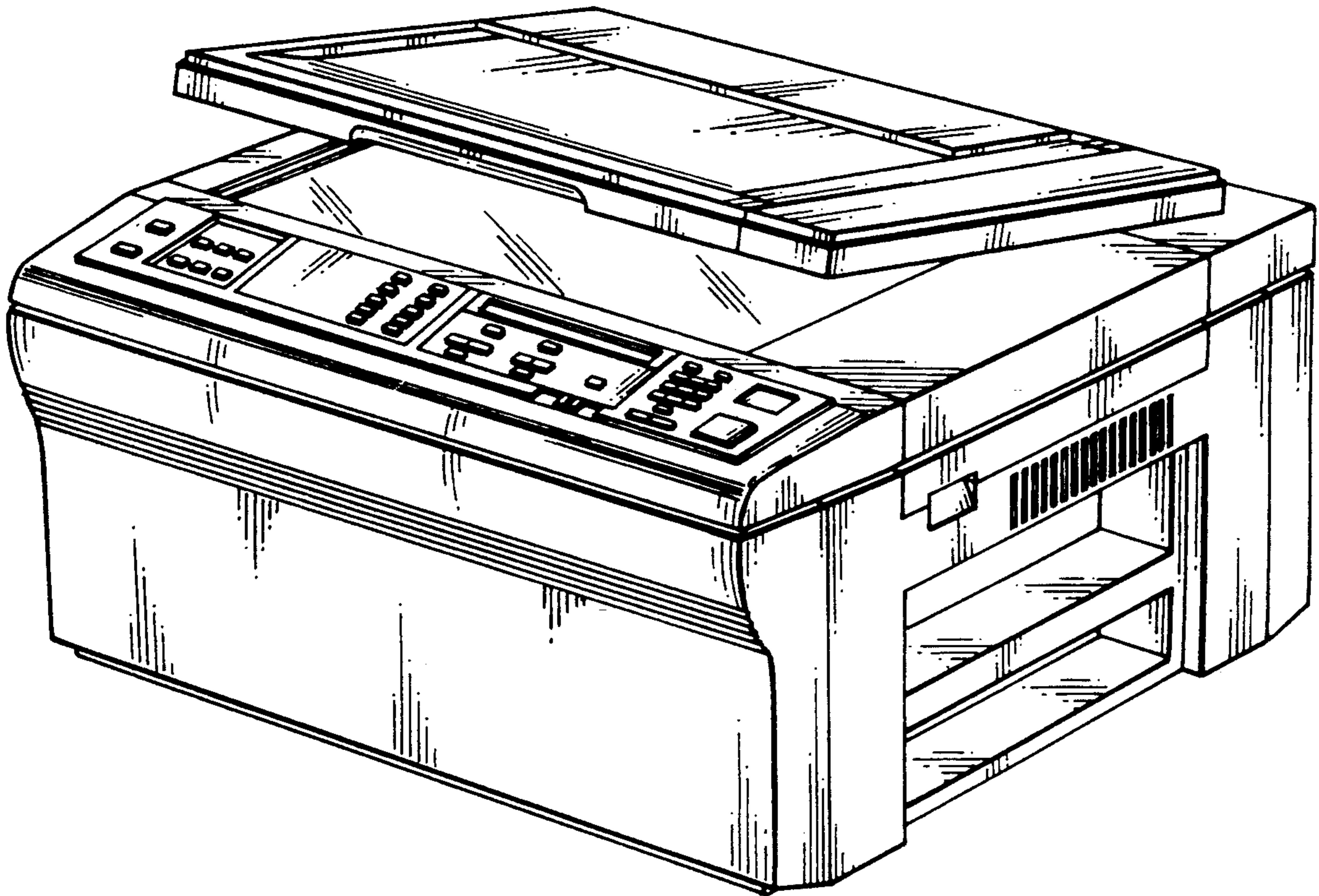


FIG. 1

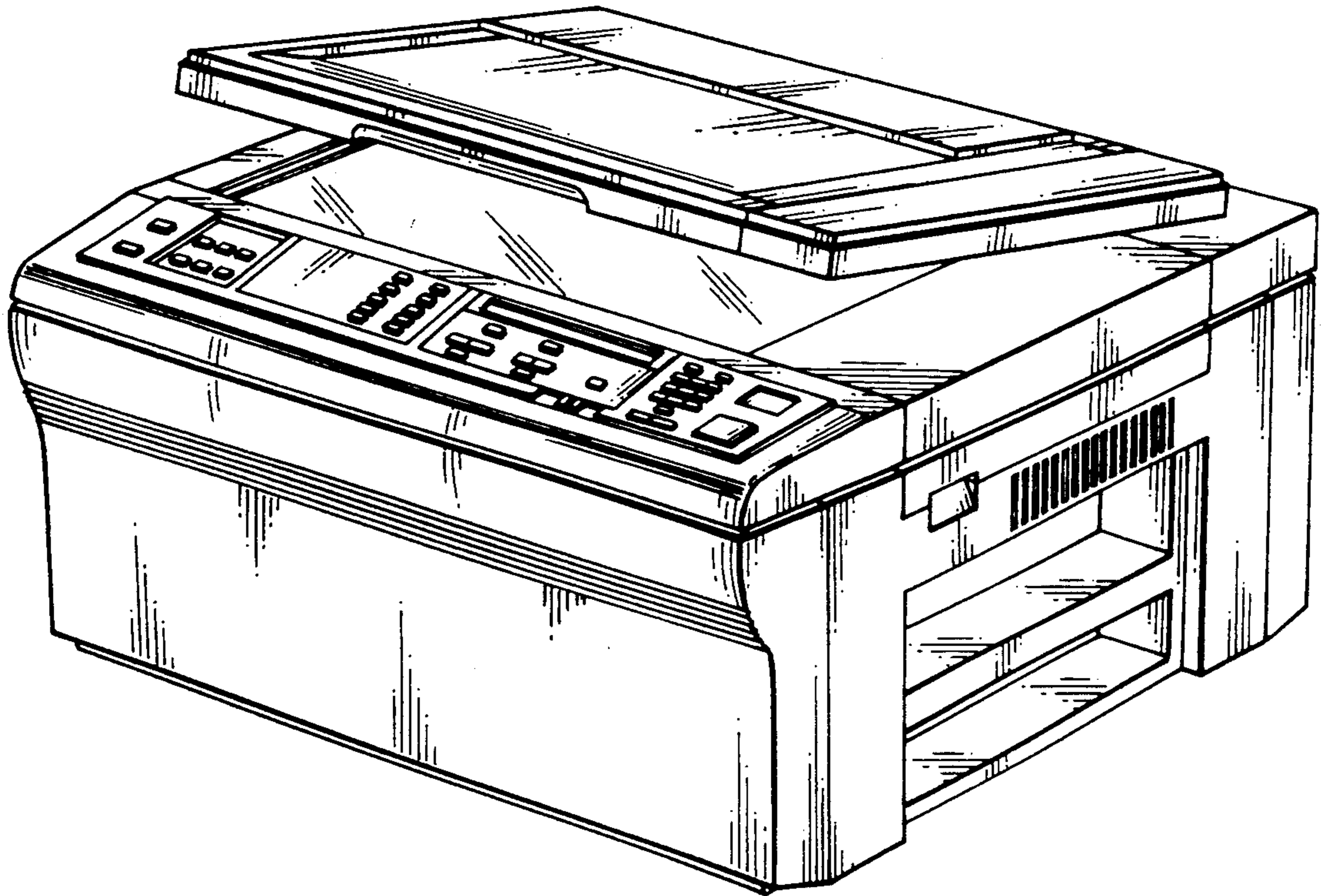


FIG. 2

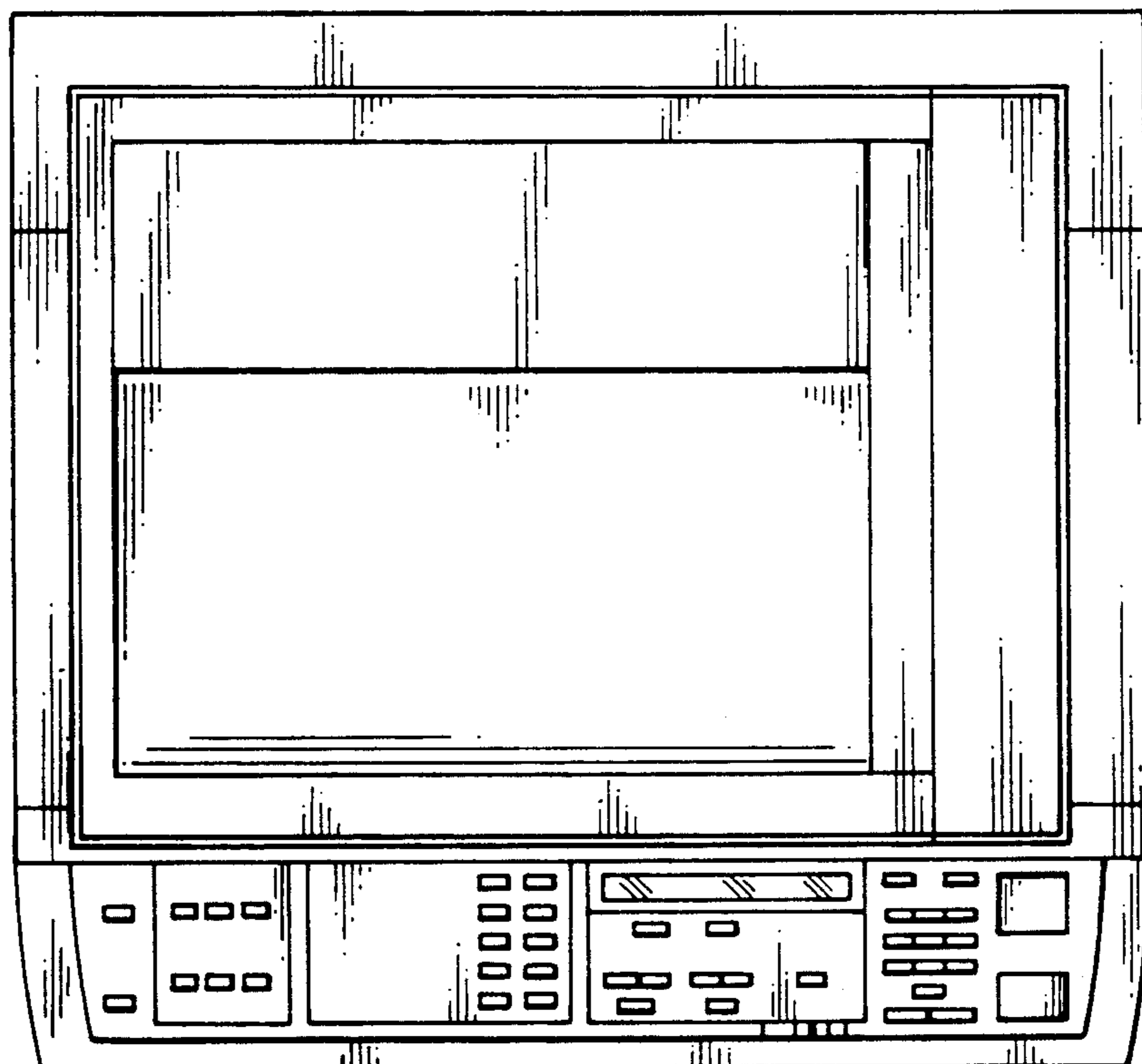


FIG. 3

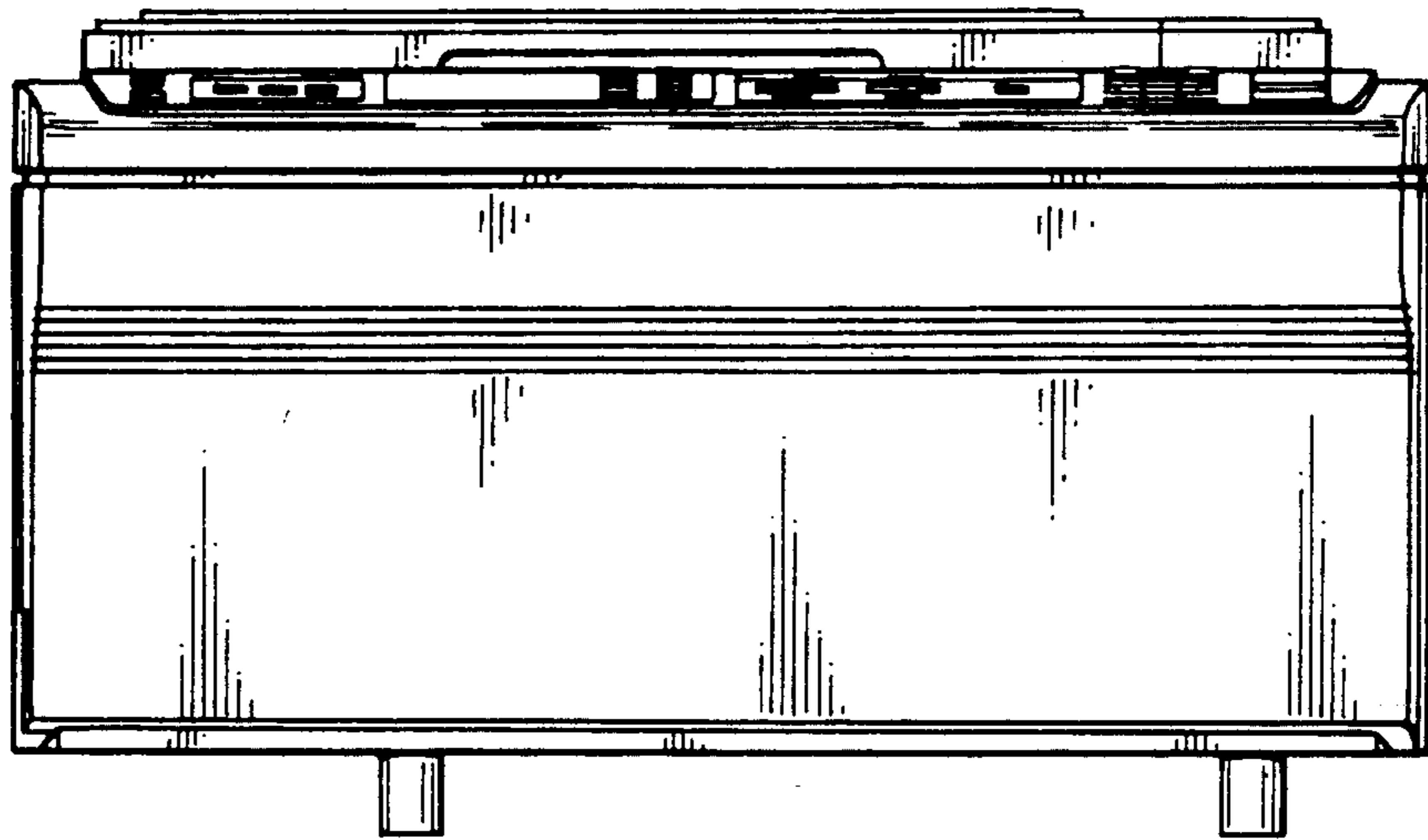


FIG. 4

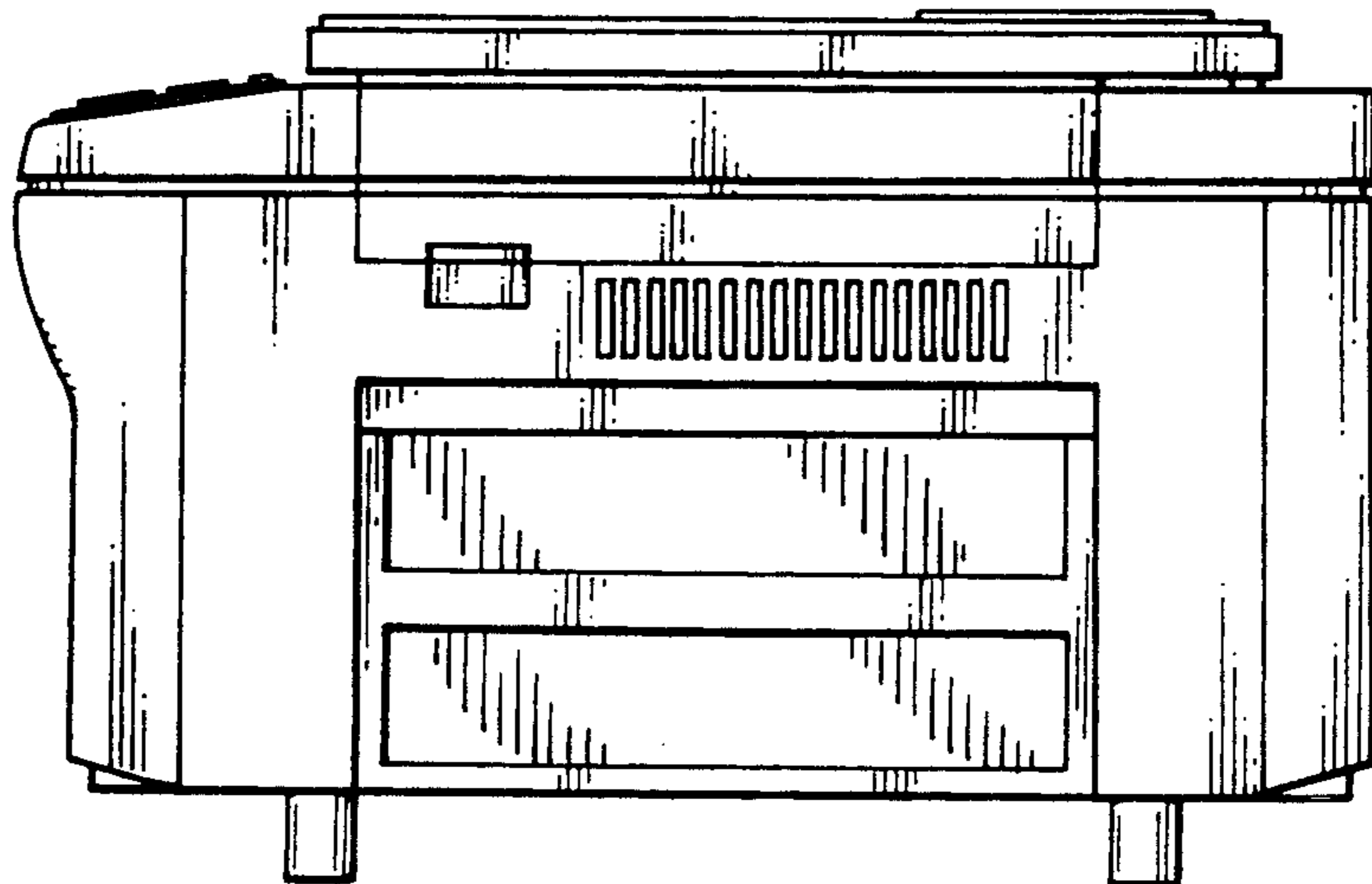


FIG. 5

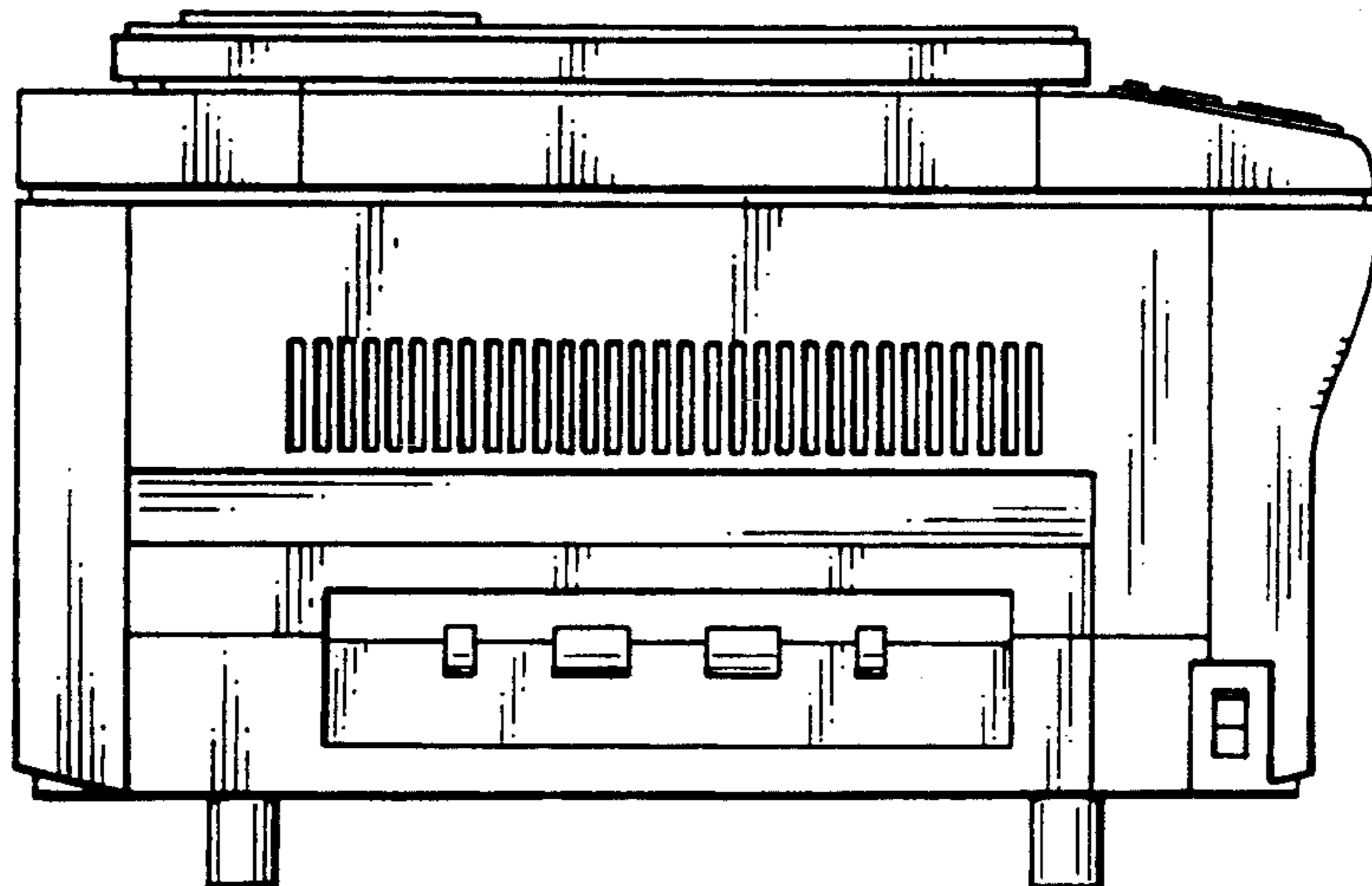


FIG. 6

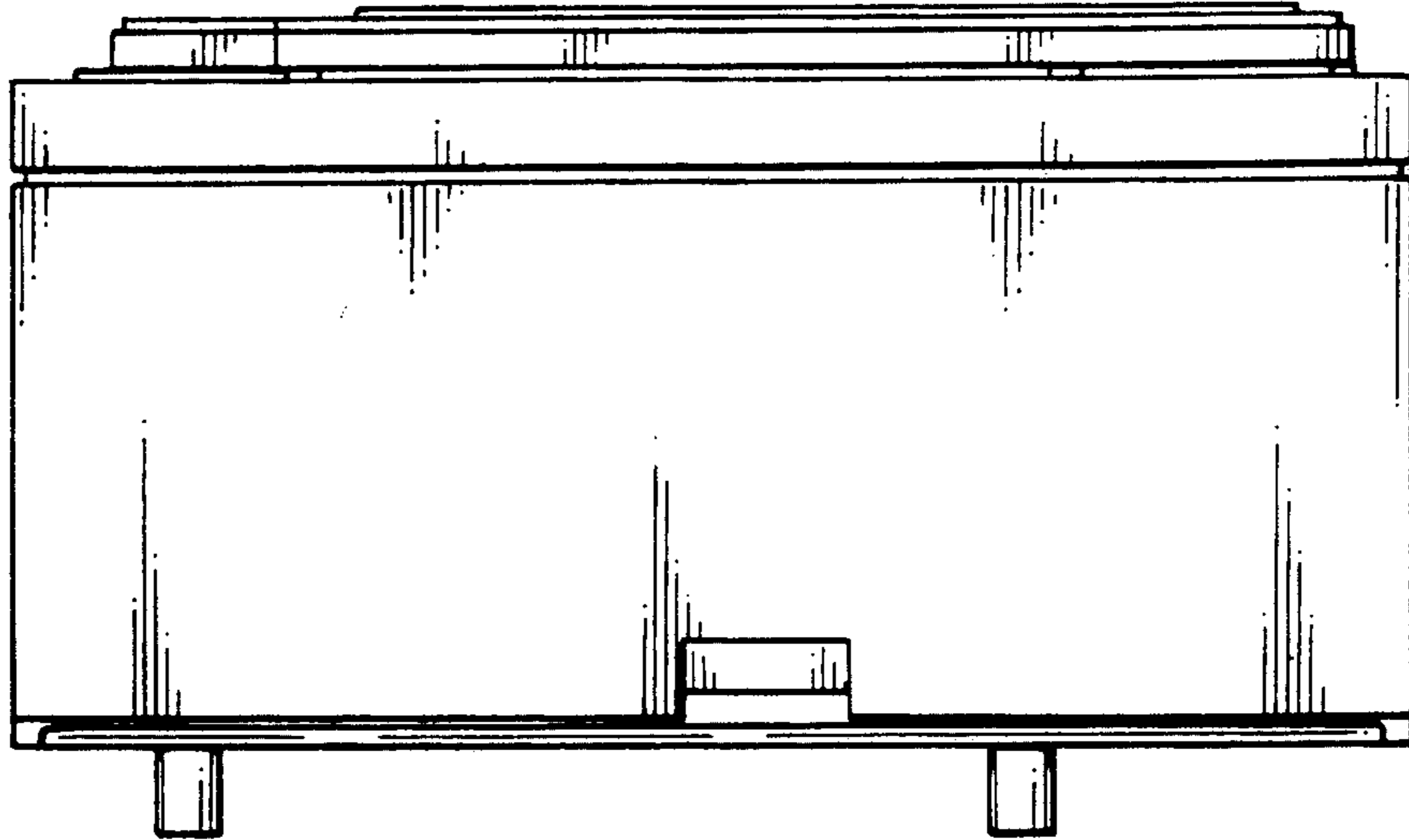


FIG. 7

