

[54] OFFSET PRINTING MACHINE

[75] Inventors: Yusaku Kitamura; Tetsuyuki Doi, both of Hyogo, Japan

[73] Assignee: Ryobi Ltd., Hiroshima, Japan

[\*\*] Term: 14 Years

[21] Appl. No.: 582,022

[22] Filed: Sep. 12, 1990

[30] Foreign Application Priority Data

Mar. 14, 1990 [JP] Japan ..... 2-8780

[52] U.S. Cl. .... D18/13

[58] Field of Search ..... D18/13; 101/136, 137, 101/140, 141, 142, 145, 177, 183, 184, 185

[56] References Cited

U.S. PATENT DOCUMENTS

D. 162,347	3/1951	Schreckengost	.....	D18/13
D. 192,394	3/1962	Behnk	.....	D18/13
D. 252,933	9/1979	Schott	.....	D18/13
D. 273,016	3/1984	Hiraishi et al.	.....	D18/13
D. 290,966	7/1987	Saito et al.	.....	D18/13
4,777,876	10/1988	Ishii	.....	101/177
4,838,160	6/1989	Nozawa	.....	101/183

FOREIGN PATENT DOCUMENTS

D744708 6/1988 Japan .

OTHER PUBLICATIONS

Lithoweeek; Dec. 2, 1987; p. 28; Akiyama Printing Mach. Manufacturing Corp. advertisement. Lithoweeek; Oct. 14, 1987; p. 4; Komori Press advertisement (middle page.). Heidelberg Speedmaster brochure; cover photo.

Primary Examiner—A. Hugo Word  
Assistant Examiner—CathyAnne MacCormac  
Attorney, Agent, or Firm—Sughrue, Mion, Zinn, Macpeak & Seas

[57] CLAIM

The ornamental design for an offset printing machine, as shown.

DESCRIPTION

FIG. 1 is a front, top and right side perspective view of an offset printing machine showing our new design; FIG. 2 is a front elevational view thereof; FIG. 3 is a rear elevational view thereof; FIG. 4 is a top plan view thereof; FIG. 5 is a right side elevational view thereof; and FIG. 6 is a left side elevational view thereof.

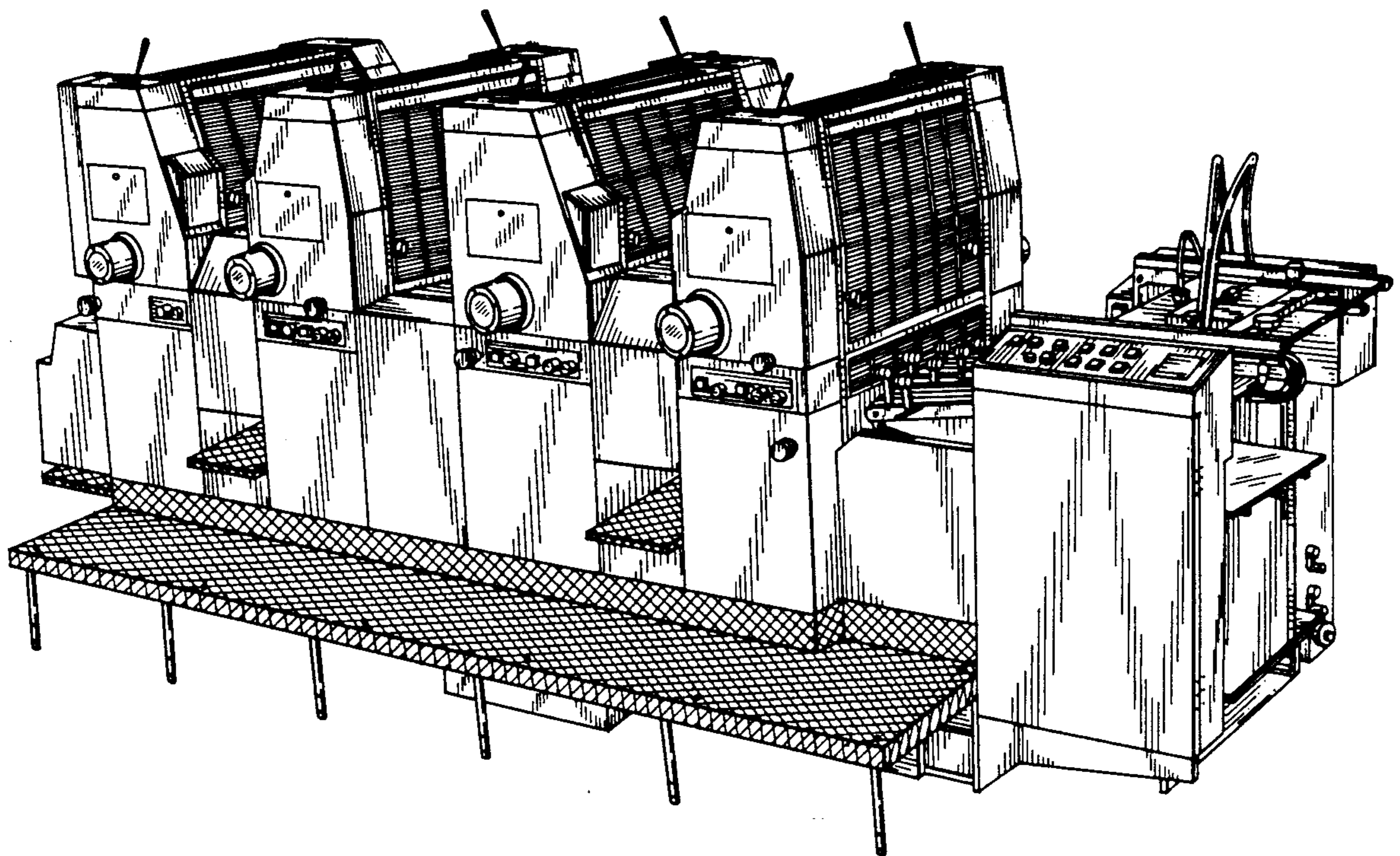




Fig. 1

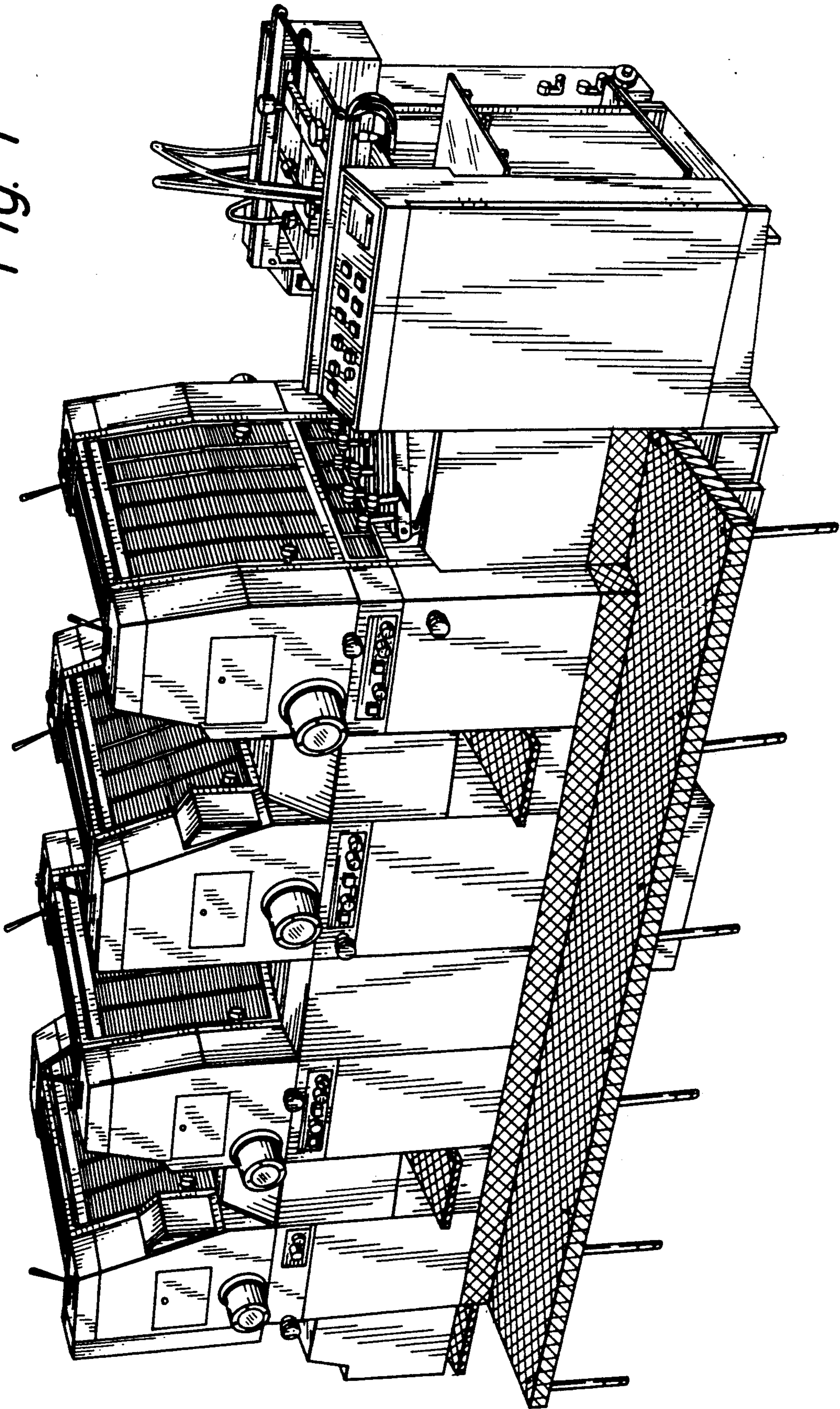


Fig. 2

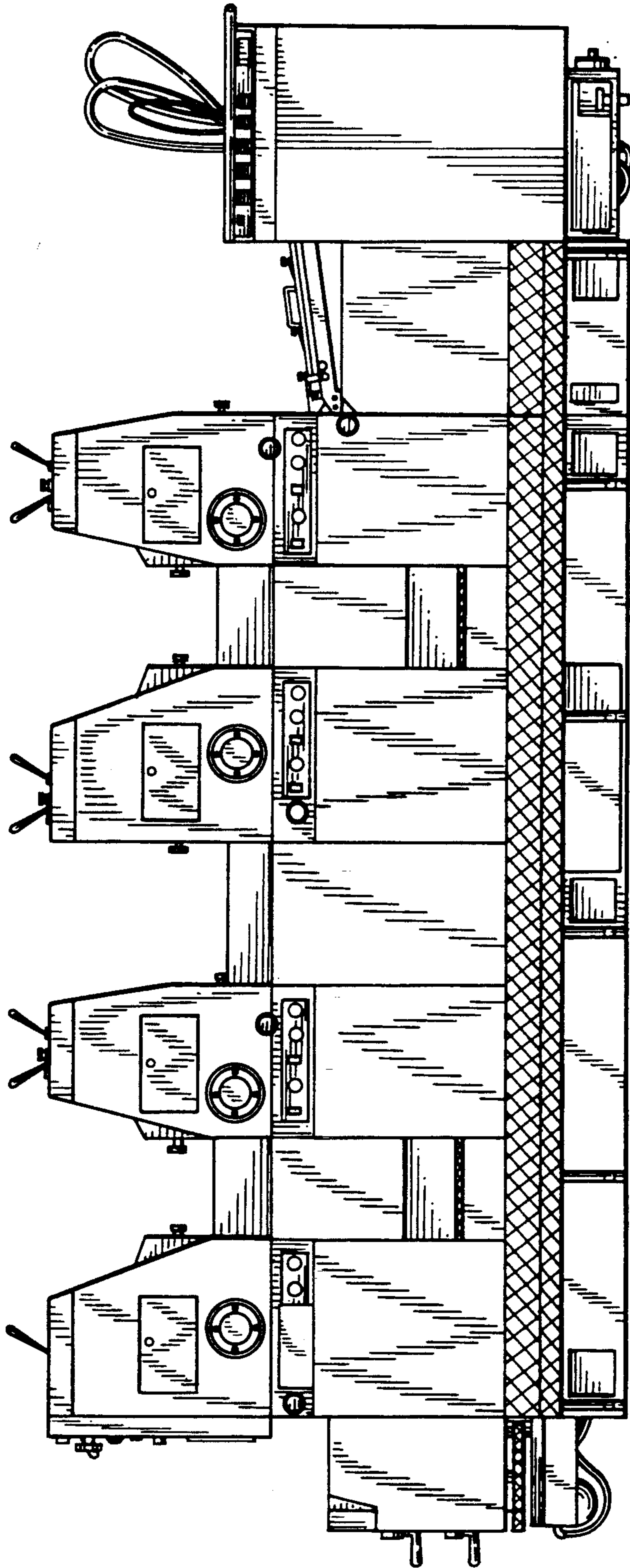


Fig. 3

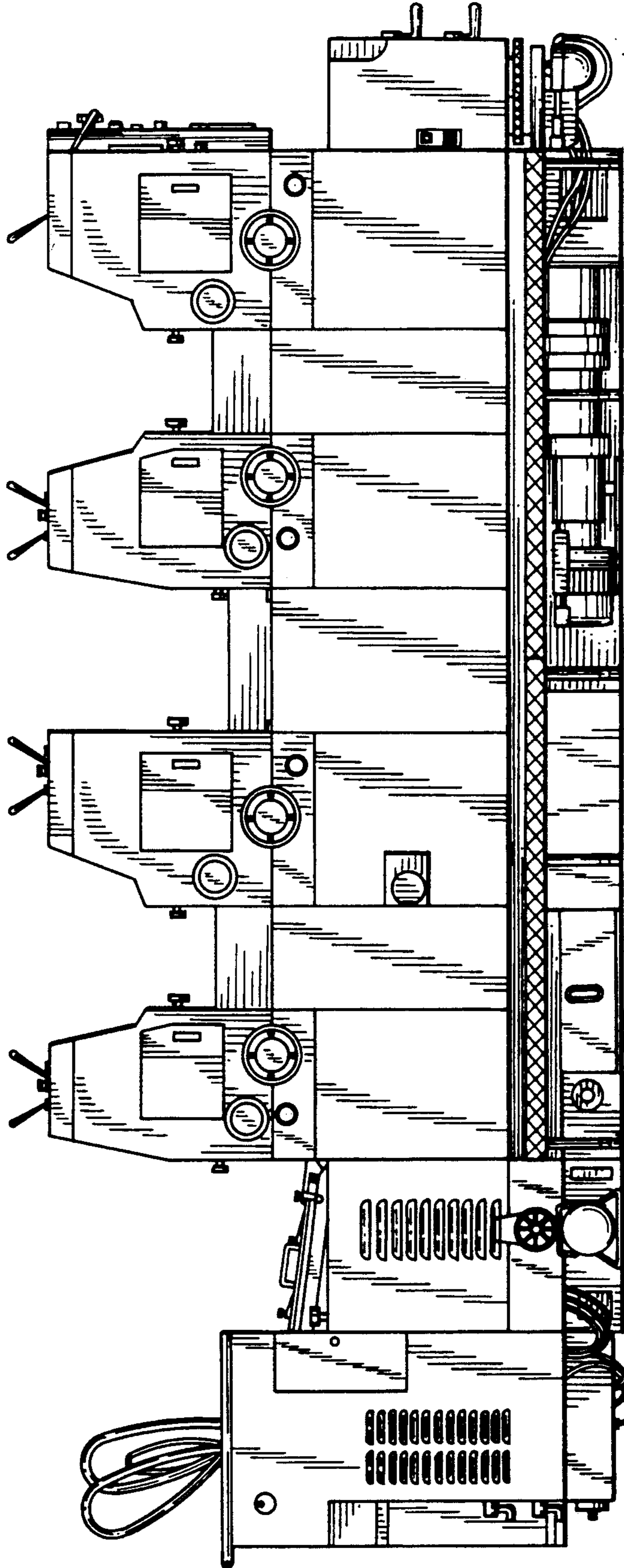
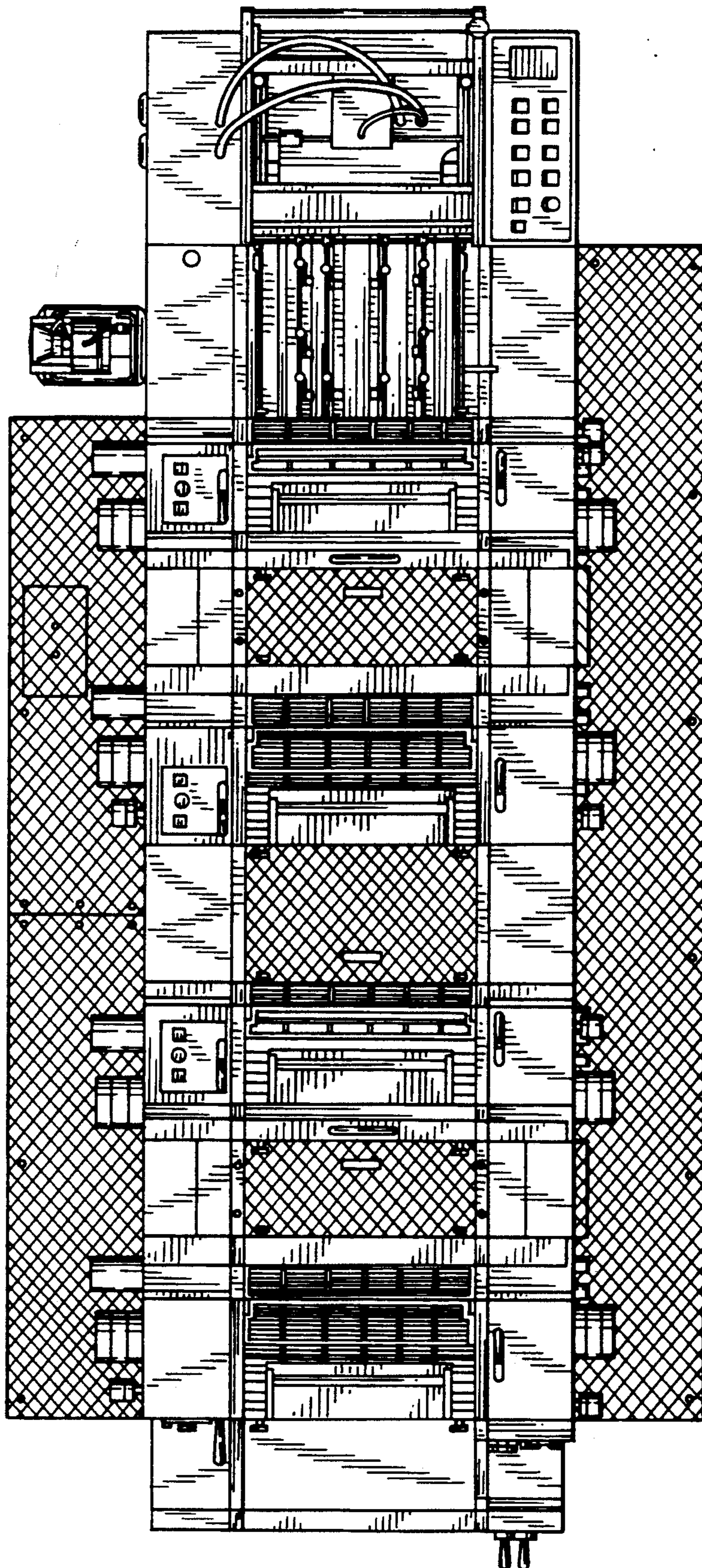
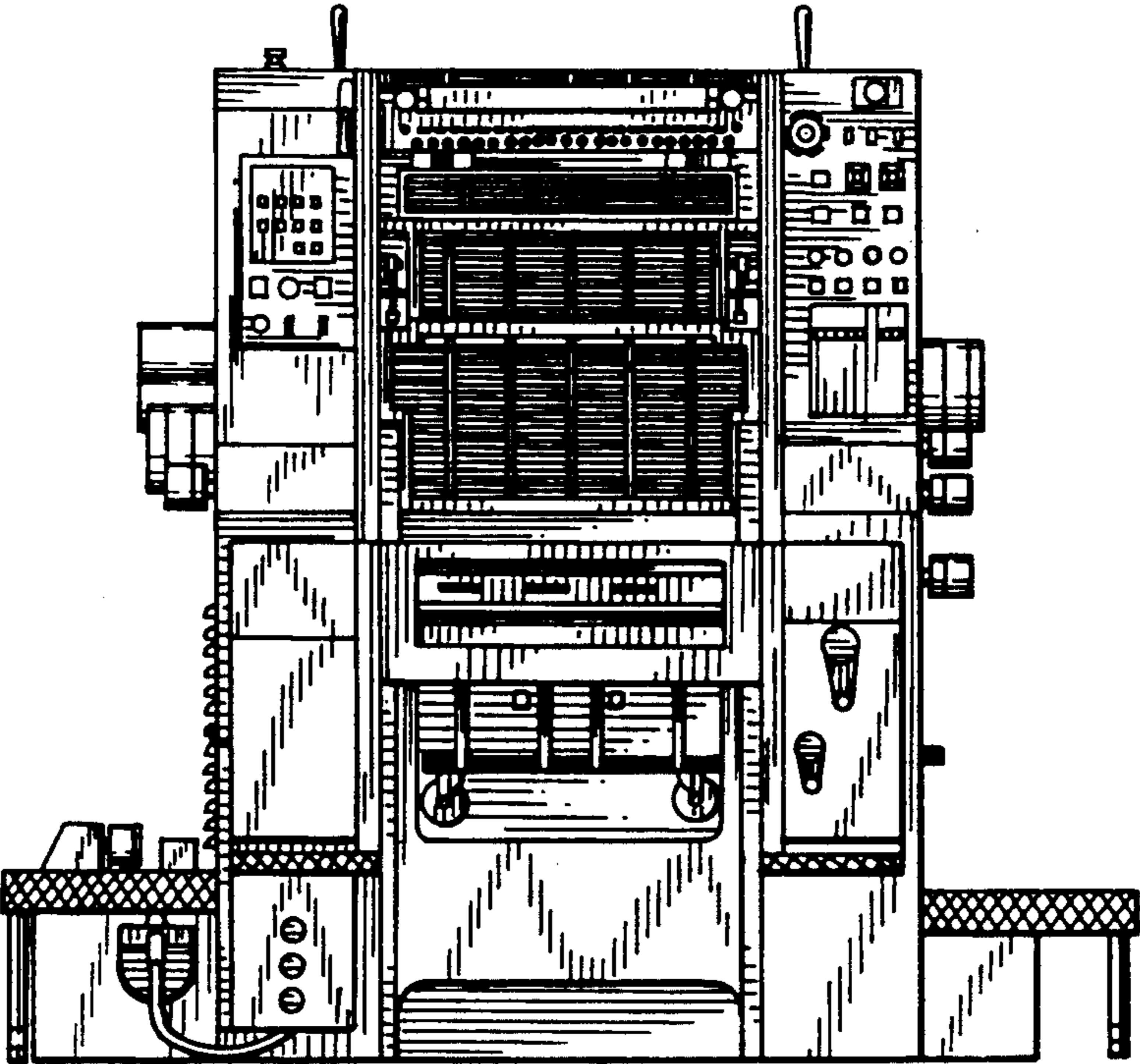




Fig. 4



*Fig. 5*



*Fig. 6*

