

[54] **ELECTRONIC TYPEWRITER**
 [75] Inventor: **Seiichi Omino**, Tokyo, Japan
 [73] Assignee: **Canon Kabushiki Kaisha**, Tokyo, Japan
 [**] Term: **14 Years**
 [21] Appl. No.: **470,528**
 [22] Filed: **Jan. 25, 1990**

D. 295,288 4/1988 Omino et al. D18/1
 D. 298,635 11/1988 Tsukada D18/1
 D. 300,146 3/1989 Tsukada D18/1
 D. 310,235 8/1990 Sakaguchi et al. D18/1
 D. 310,383 9/1990 Omino et al. D18/1

Primary Examiner—Nelson C. Holtje
Assistant Examiner—Caron D. Veynar
Attorney, Agent, or Firm—Fitzpatrick, Cella, Harper & Scinto

[30] **Foreign Application Priority Data**
 Jul. 27, 1989 [JP] Japan 1-28020
 [52] U.S. Cl. **D18/1**
 [58] Field of Search D18/1, 2; 235/145 A,
 235/145 R; 400/109-111, 472, 485, 486, 690.3,
 690.4, 691-694

[57] **CLAIM**
 The ornamental design for an electronic typewriter, as shown and described.

[56] **References Cited**
U.S. PATENT DOCUMENTS
 D. 291,092 7/1987 Egli D18/1
 D. 291,580 8/1987 Nibley et al. D18/1
 D. 294,596 3/1988 Gubbe et al. D18/1

DESCRIPTION
 FIG. 1 is a front elevational view of an electronic typewriter showing my new design;
 FIG. 2 is a rear elevational view thereof;
 FIG. 3 is a top plan view thereof;
 FIG. 4 is a bottom plan view thereof;
 FIG. 5 is a left side elevational view thereof;
 FIG. 6 is a right side elevational view thereof; and
 FIG. 7 is a perspective view thereof.

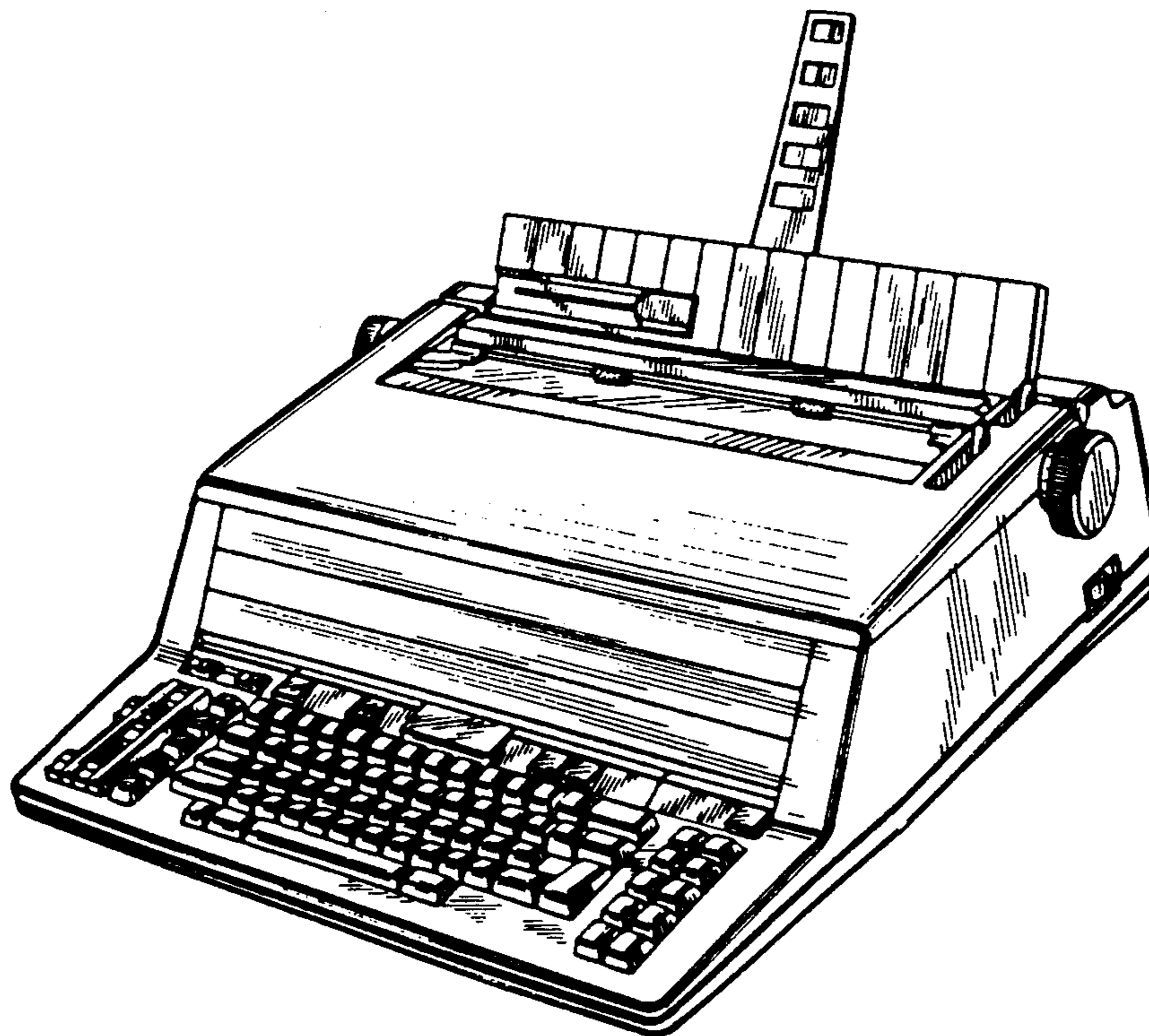


FIG. 1

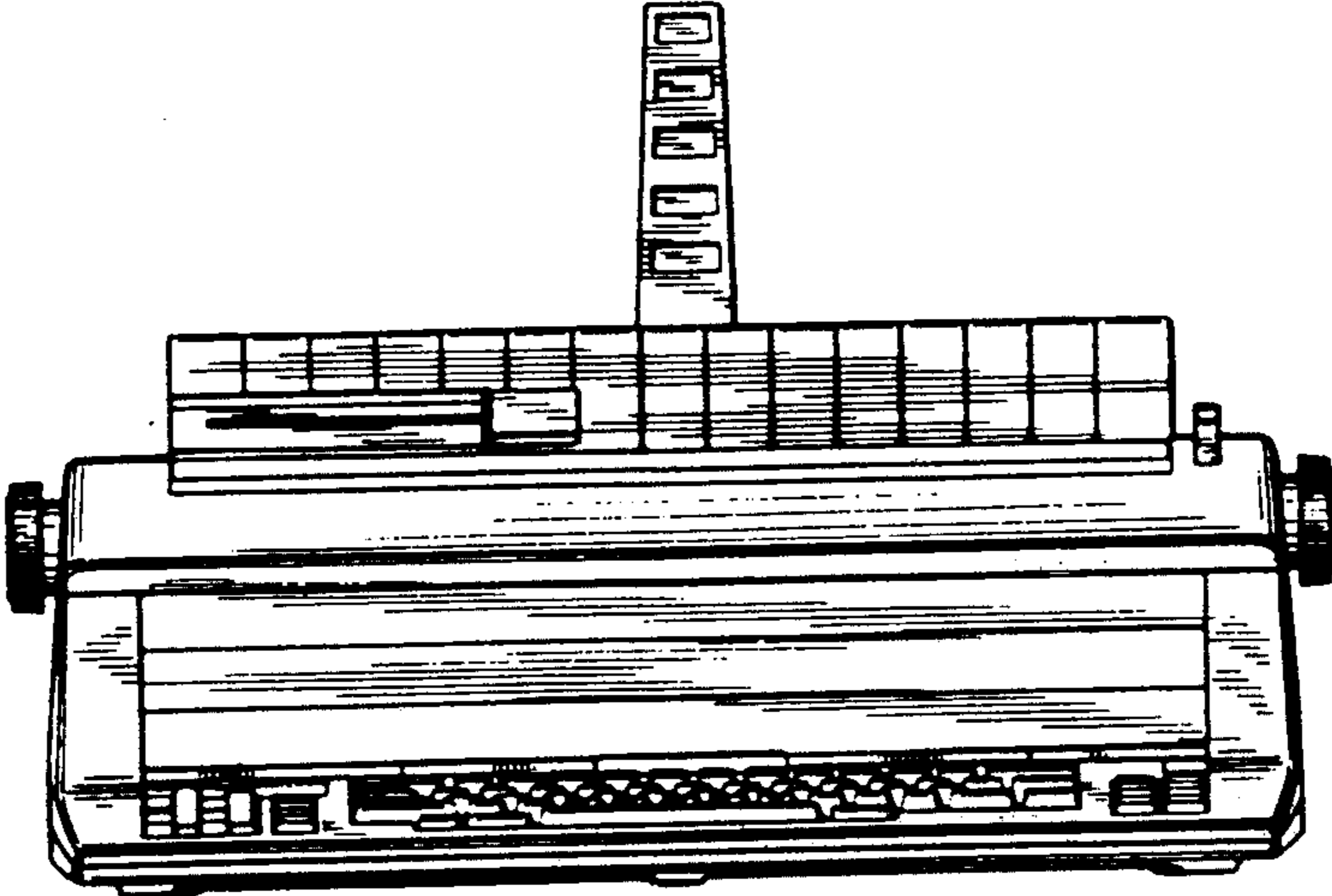


FIG. 2

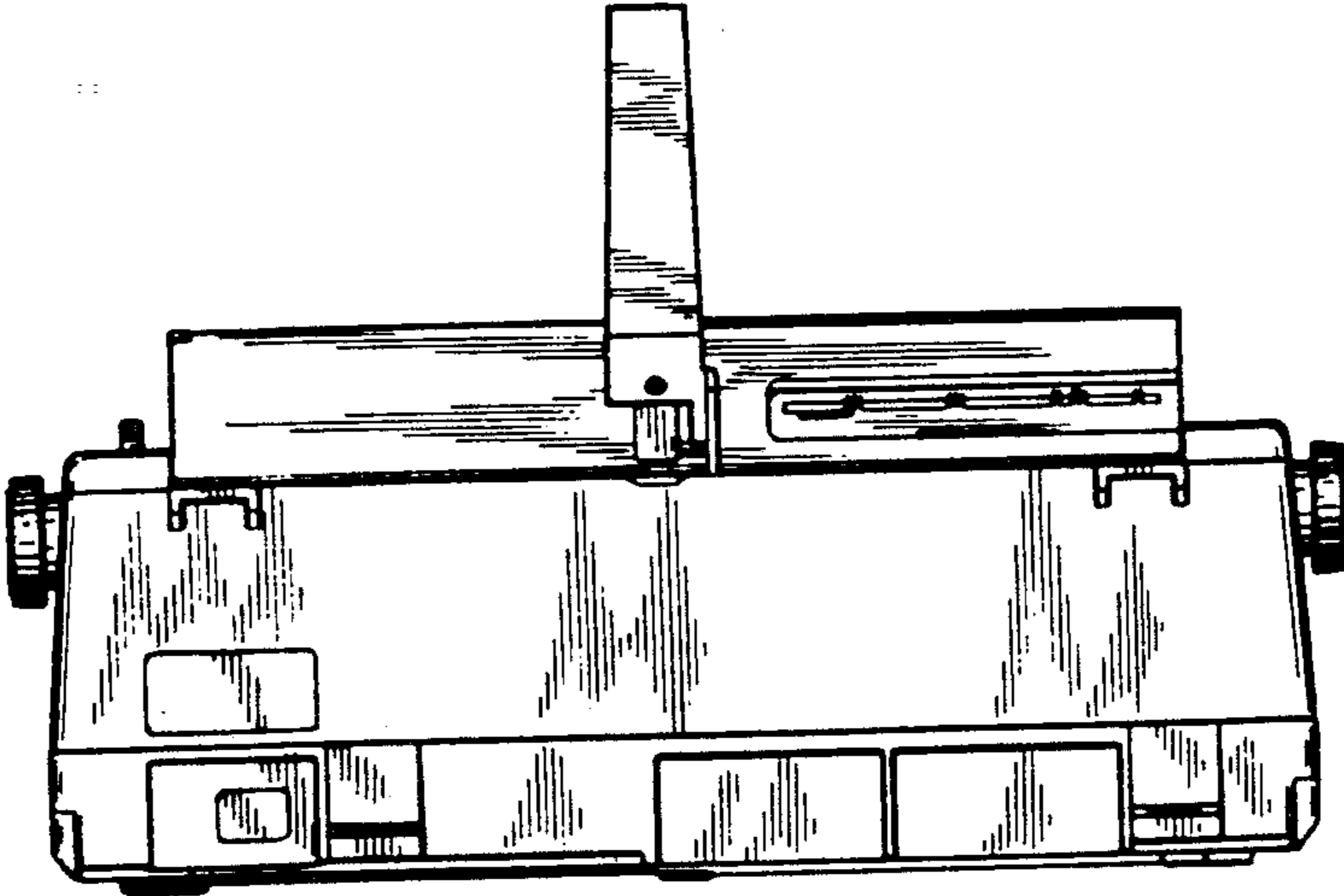


FIG. 3

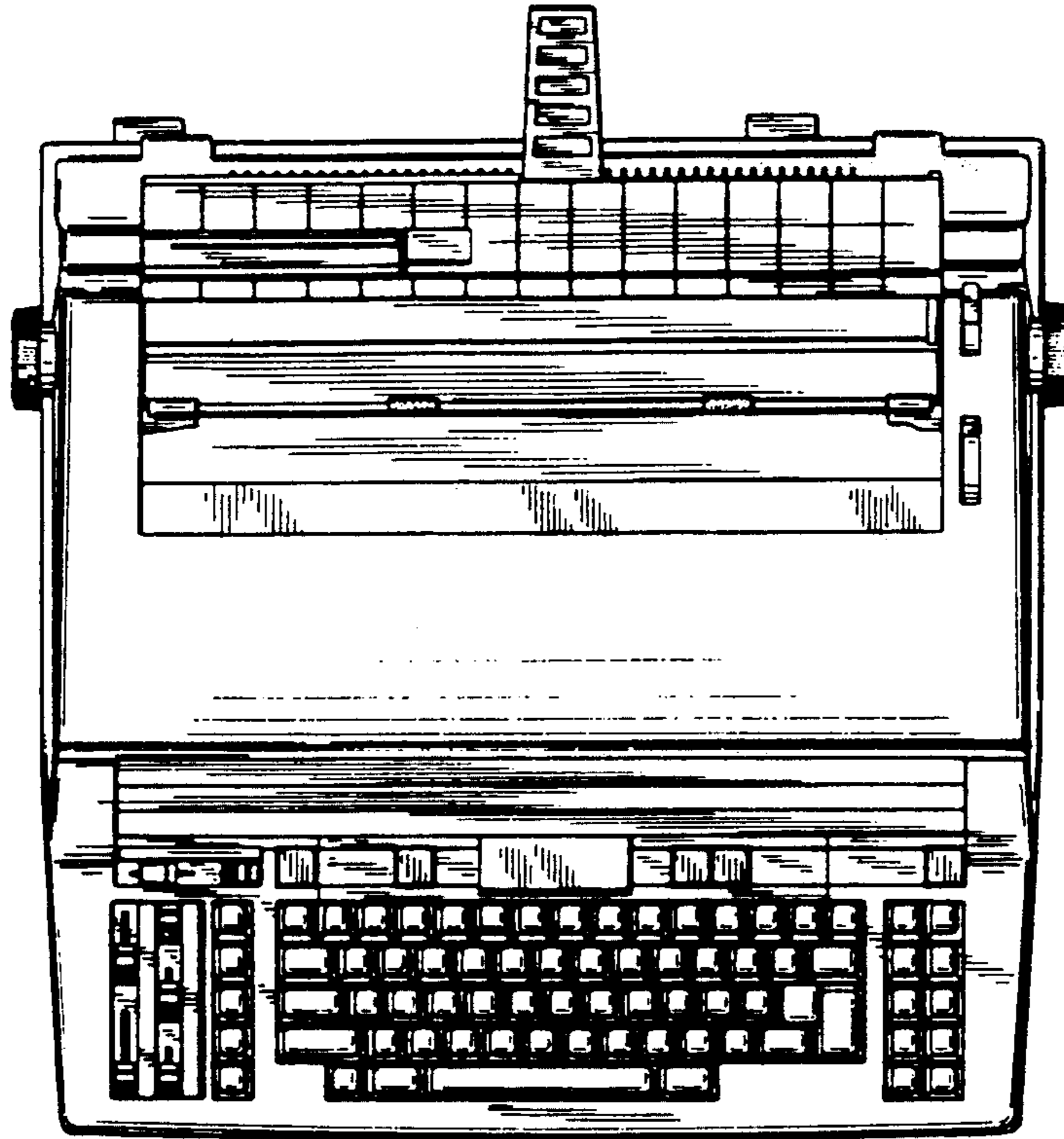
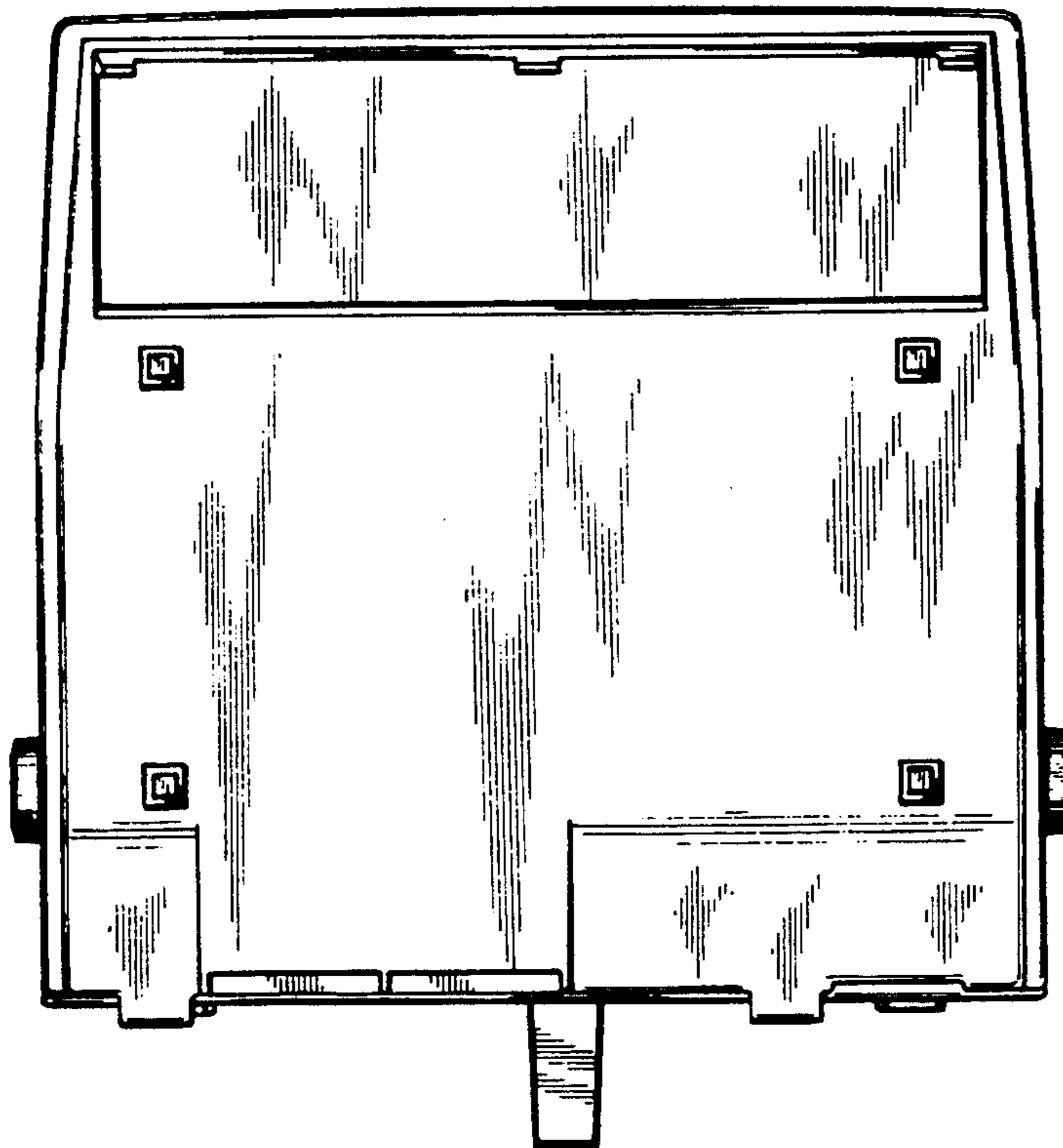


FIG. 4



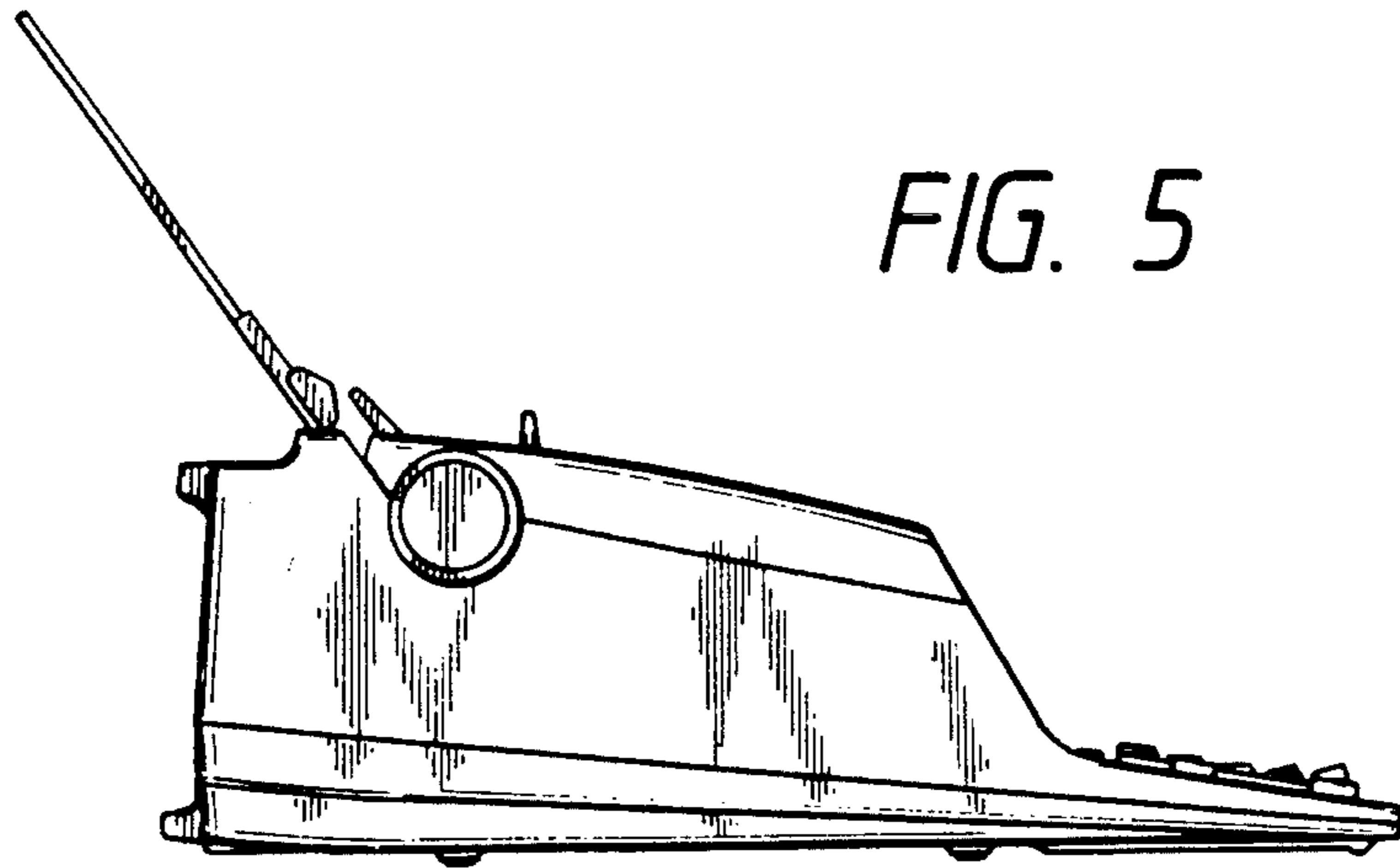


FIG. 5

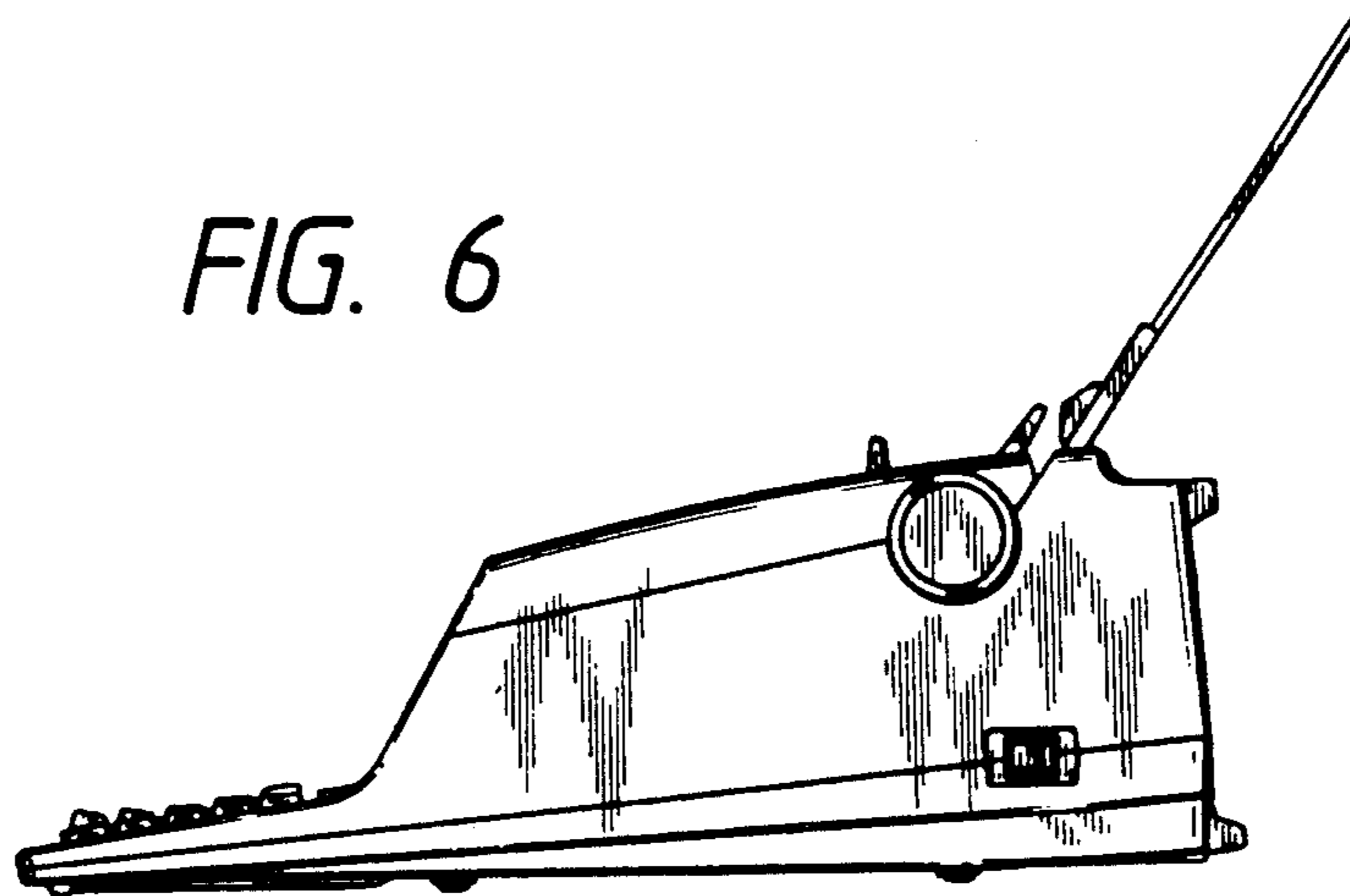


FIG. 6

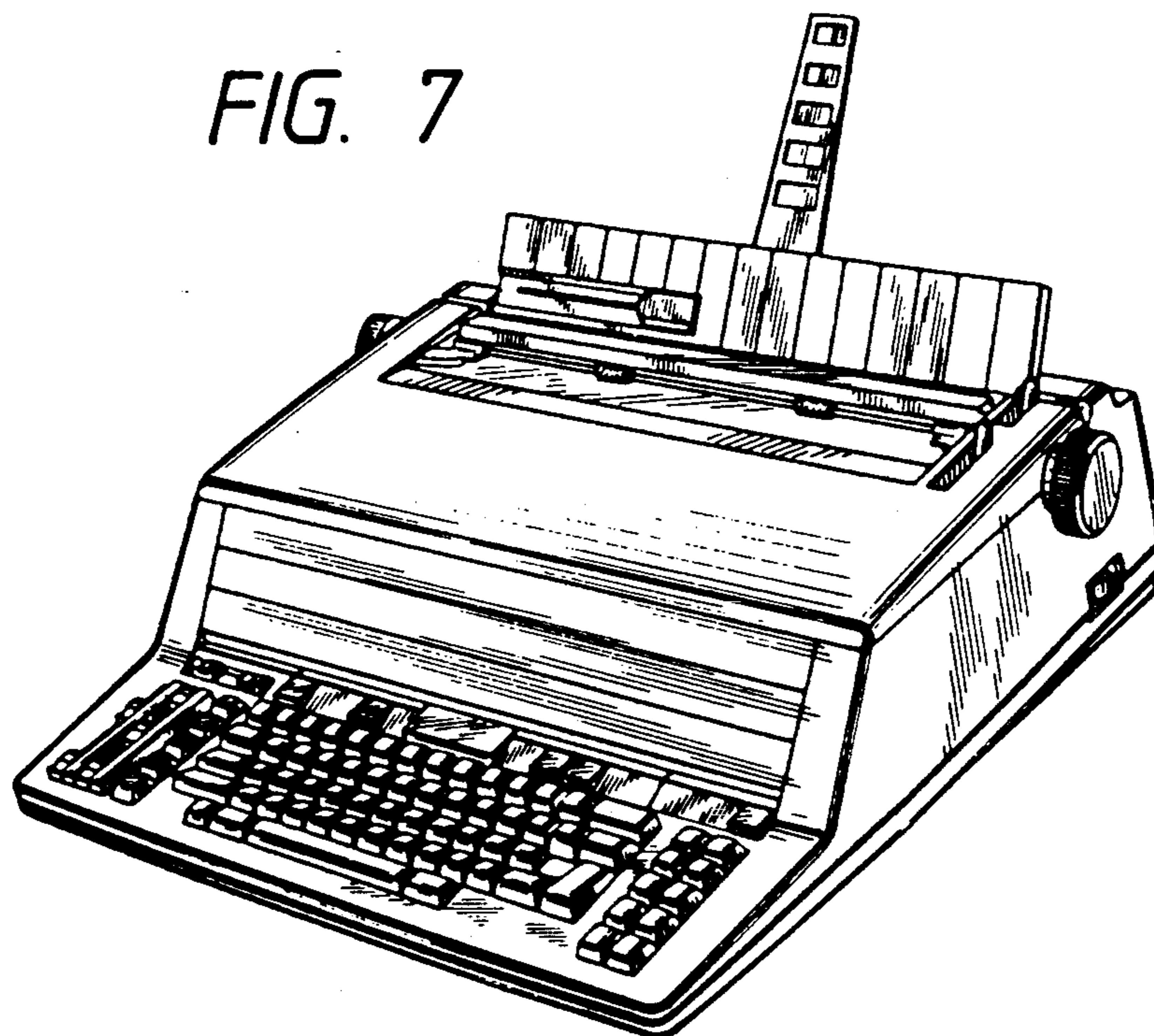


FIG. 7