

[54] HAND GRIP FOR A VIDEO CAMERA

4,600,284 7/1986 Kondoh et al. 354/82

[75] Inventors: Hiroshi Fukuda; Masahiro Fukuda, both of Tokyo, Japan

[73] Assignee: Fuji Photo Film Co., Ltd., Kanagawa, Japan

[**] Term: 14 Years

[21] Appl. No.: 280,223

[22] Filed: Dec. 1, 1988

[30] Foreign Application Priority Data

Jun. 1, 1988 [JP] Japan 63-21691

[52] U.S. Cl. D16/243; 354/82

[58] Field of Search D7/649; D8/DIG. 3, DIG. 4; D16/237, 242, 243, 245; 248/171, 177, 187; 354/81, 82, 293; 358/229; 352/243

[56] References Cited

U.S. PATENT DOCUMENTS

- D. 159,836 8/1950 Nerman D16/243
- D. 196,010 8/1963 Kubnick D16/243
- 4,437,753 3/1984 Dunn 354/293
- 4,545,660 10/1985 Rudolf 354/82

OTHER PUBLICATIONS

Fujinon TV Lenses Catalog, Mar. 30, 1977 p. 10 (SDR (Lens Grip)).

Primary Examiner—Bernard Ansher
Assistant Examiner—Adir Aronovich
Attorney, Agent, or Firm—Young & Thompson

[57] CLAIM

The ornamental design for a hand grip for a video camera, as shown and described.

DESCRIPTION

FIG. 1 is a top, front perspective view of a hand grip for a video camera showing our new design; FIG. 2 is a side elevational view thereof; FIG. 3 is a side elevational view thereof from the side opposite that shown in FIG. 2; FIG. 4 is a top plan view thereof; FIG. 5 is a bottom plan view thereof; FIG. 6 is a front elevational view thereof; FIG. 7 is a rear elevational view thereof; and FIG. 8 is a cross sectional view thereof taken on the line VIII—VIII of FIG. 4.

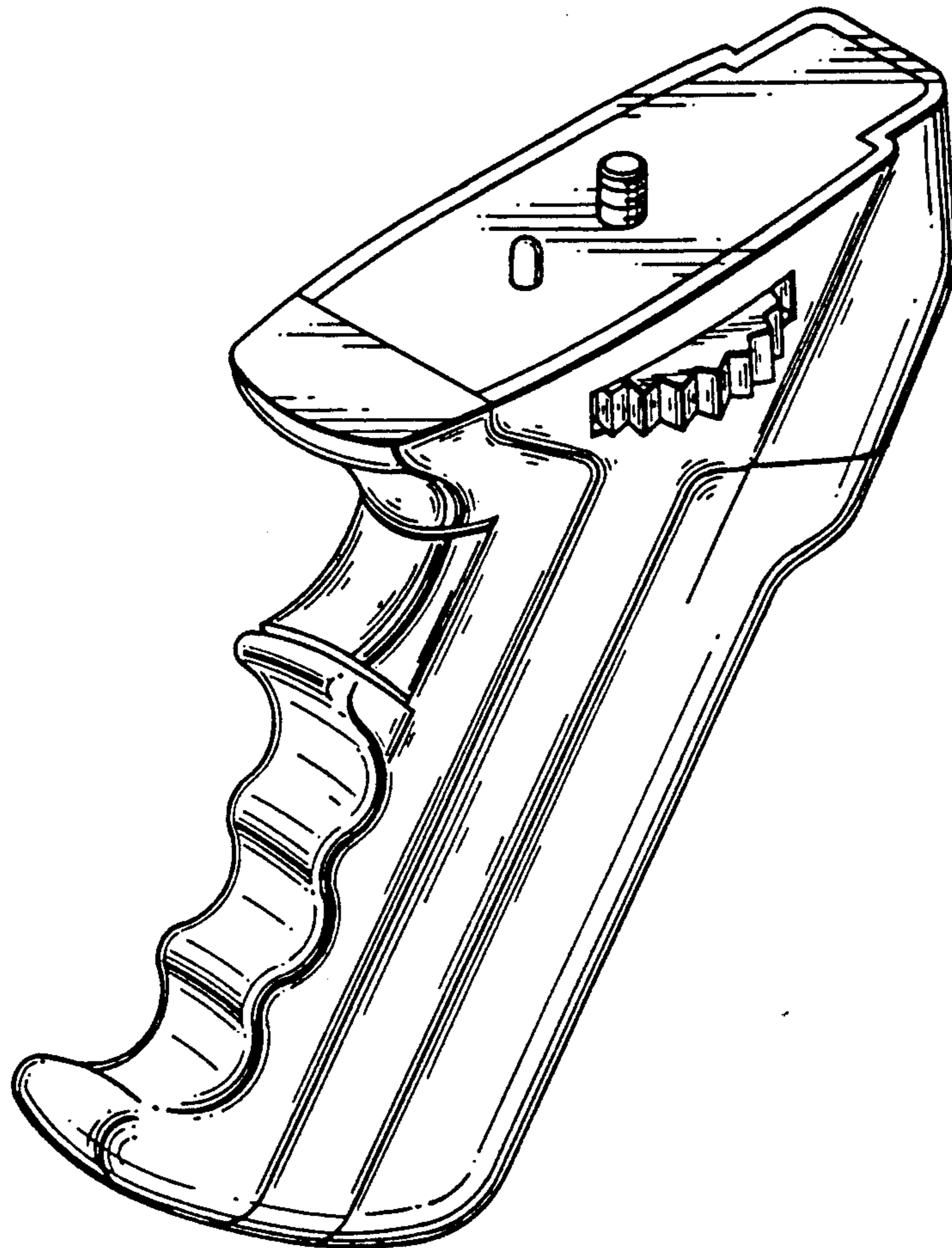


FIG. 1

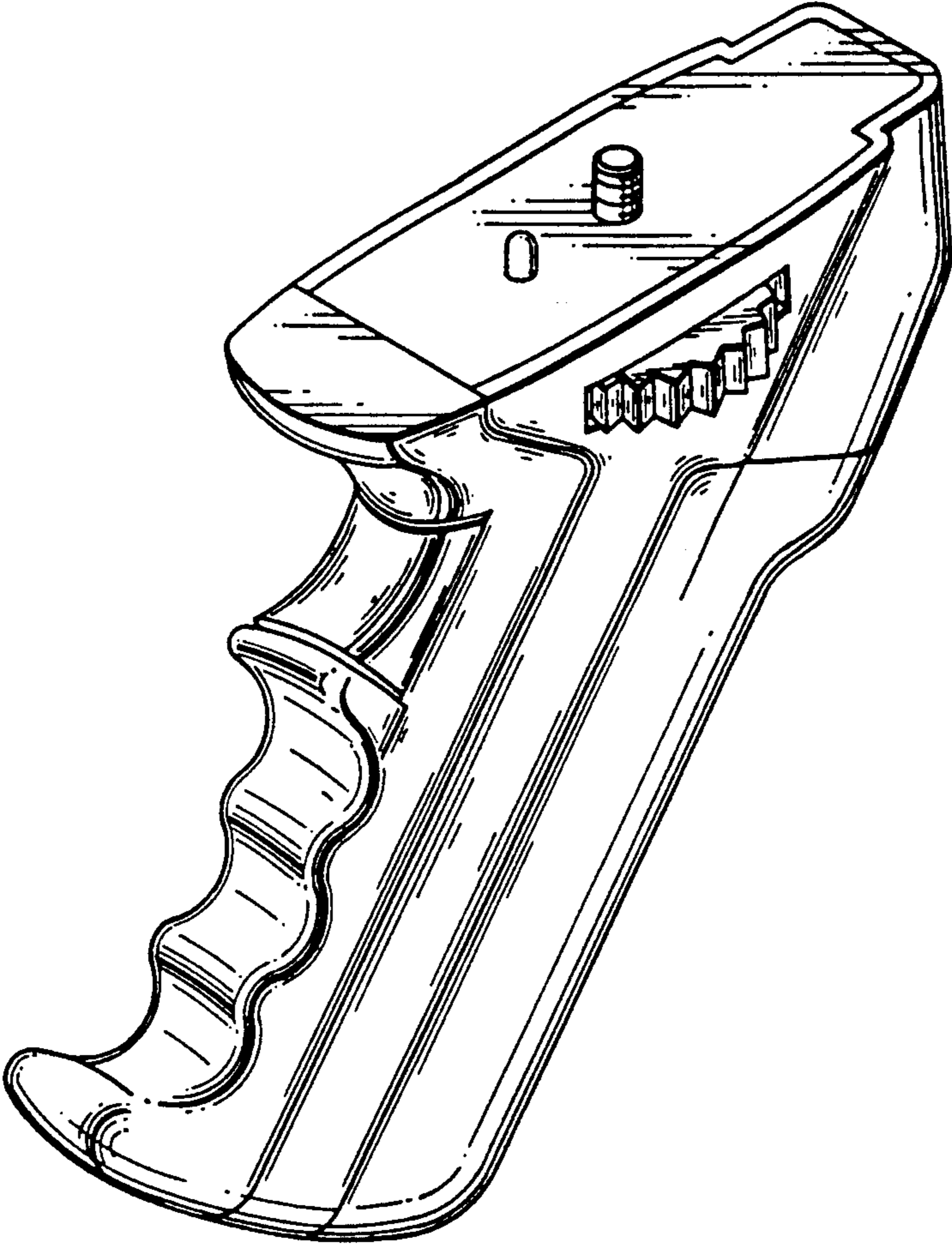


FIG.2

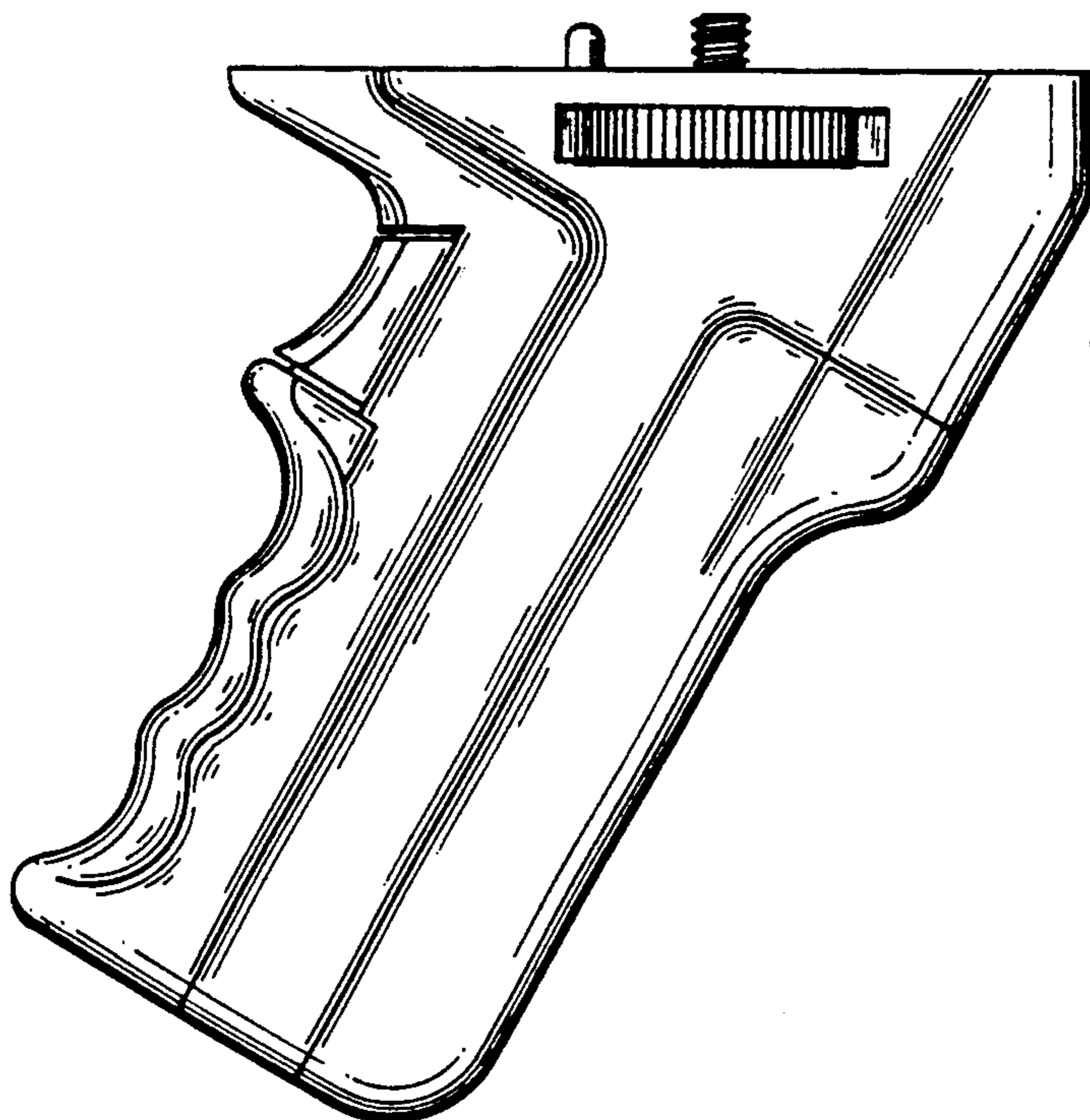


FIG.6

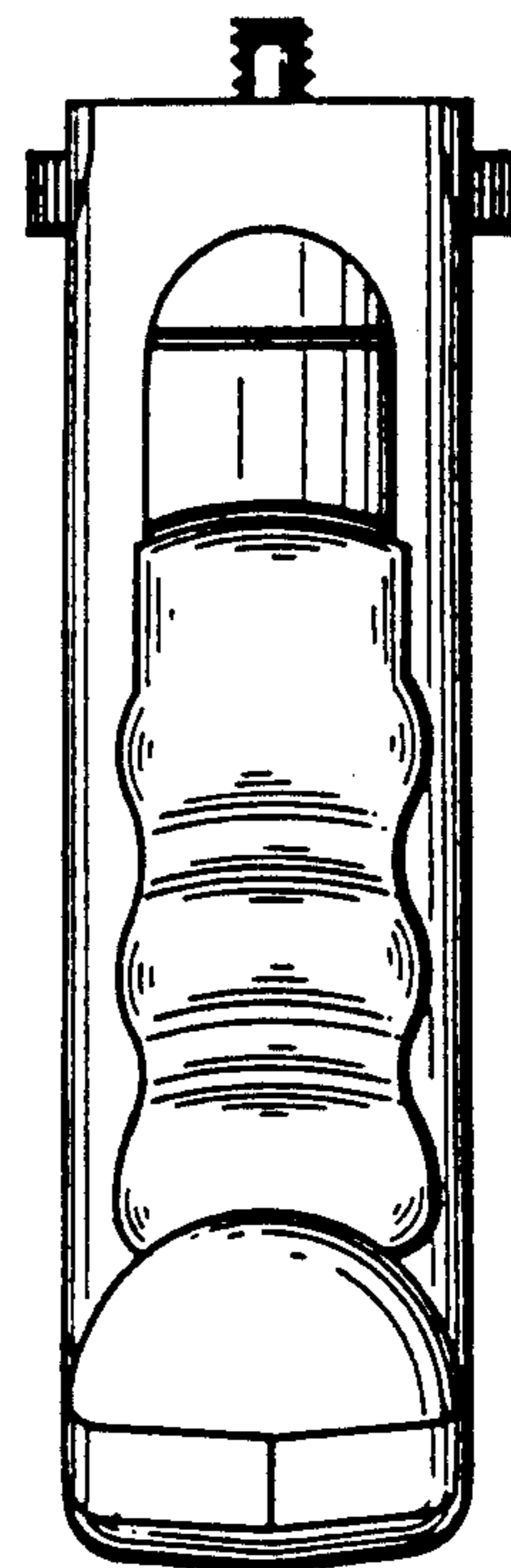


FIG.3

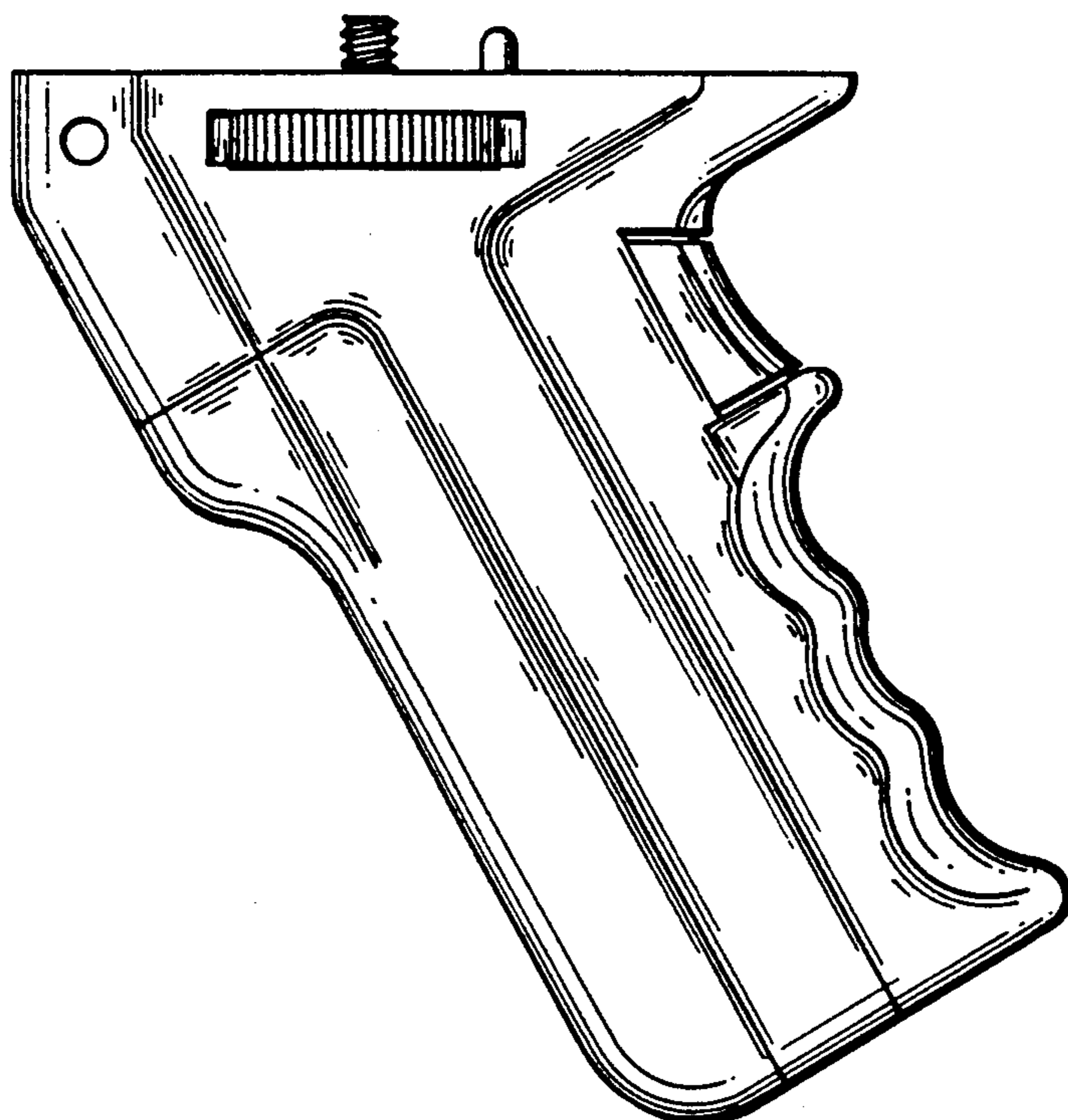


FIG.7

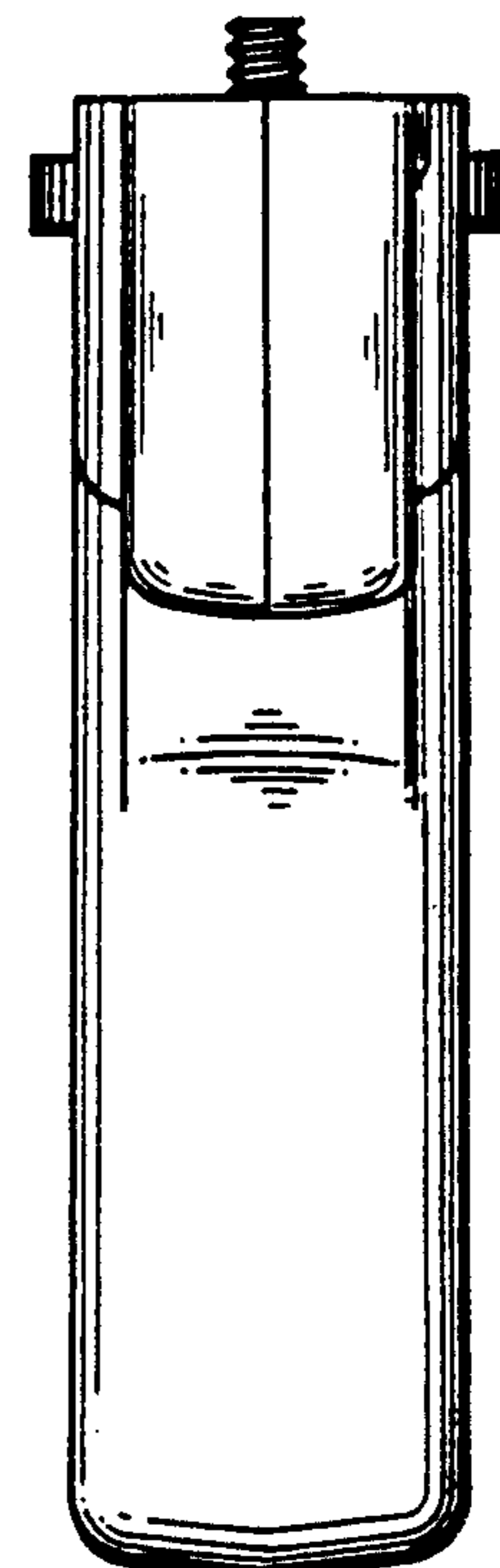


FIG.4

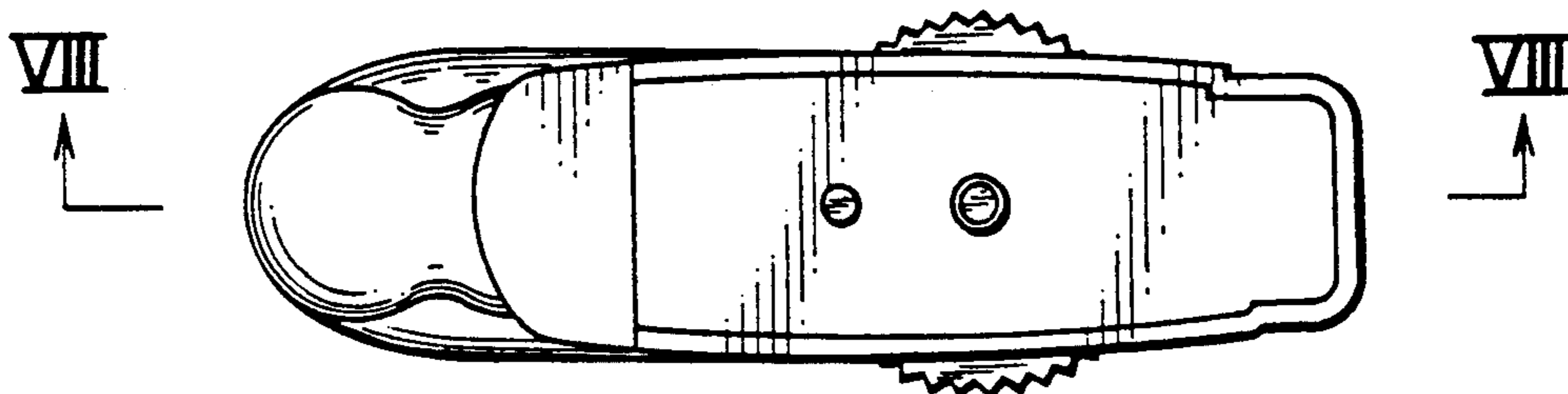


FIG.5

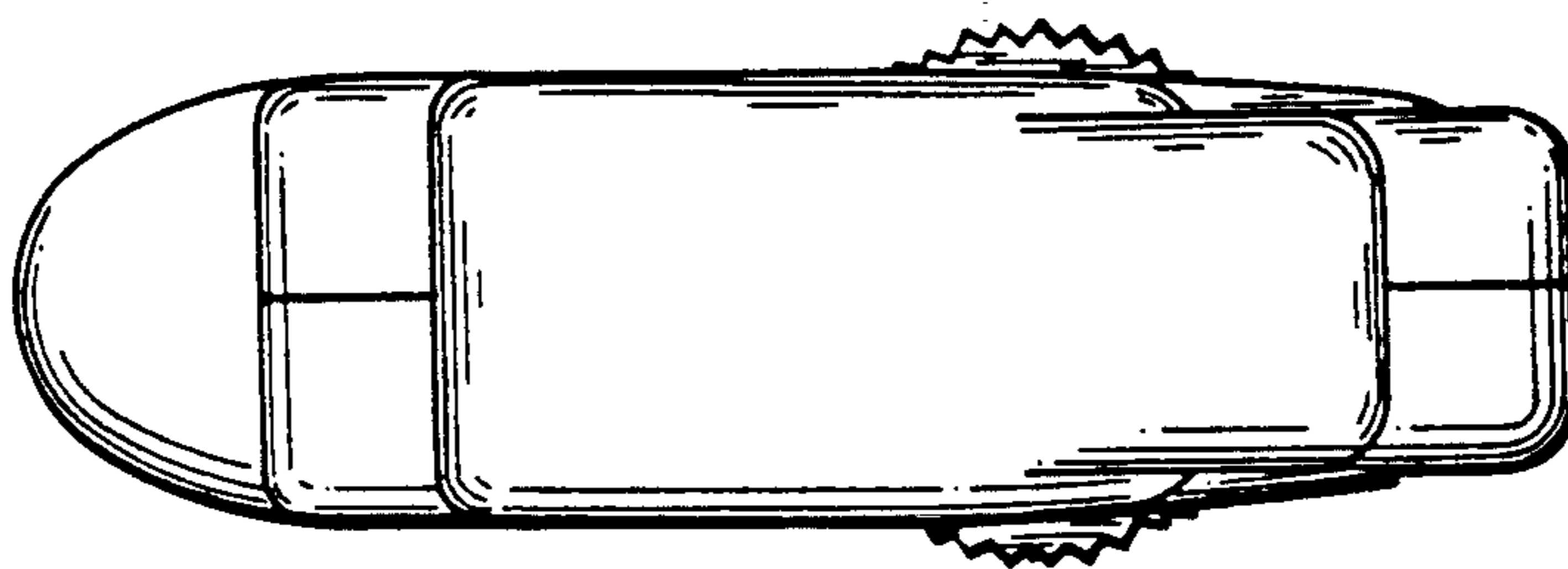


FIG.8

