

# United States Patent [19]

Pink et al.

[11] Patent Number: **Des. 320,993**

[45] Date of Patent: **\*\* Oct. 22, 1991**

[54] SNOW THROWER

[75] Inventors: **Anthony N. Pink, Shakopee; Randall Beihoffer, Bloomington, both of Minn.**

[73] Assignee: **The Toro Company, Minneapolis, Minn.**

[\*\*] Term: **14 Years**

[21] Appl. No.: **294,142**

[22] Filed: **Jan. 6, 1989**

[52] U.S. Cl. .... **D15/12**

[58] Field of Search ..... **D15/10-12; 37/244, 248, 251, 252, 257-260, 262**

[56] **References Cited**

### U.S. PATENT DOCUMENTS

D. 262,797	1/1982	Arthur et al. ....	D15/12
D. 305,125	12/1989	Hinklin .....	D15/11
2,642,680	6/1953	Curtis et al. .	
3,452,460	7/1969	Cope et al. .	
3,548,522	12/1970	Roper .	
3,603,008	9/1971	Heth .	

3,742,626	7/1973	Ellis .....	37/260
4,295,285	10/1981	Stevens .	
4,325,195	4/1982	Comer .	
4,694,594	9/1987	Thorud et al. .	

### FOREIGN PATENT DOCUMENTS

0239522	9/1937	European Pat. Off. ....	37/262
---------	--------	-------------------------	--------

*Primary Examiner*—Melvin B. Feifer

*Assistant Examiner*—Sandra Morris

*Attorney, Agent, or Firm*—R. Lawrence Buckley

[57] **CLAIM**

The ornamental design for a snow thrower, as shown and described.

### DESCRIPTION

FIG. 1 is a perspective view of a snow thrower, showing our new design;

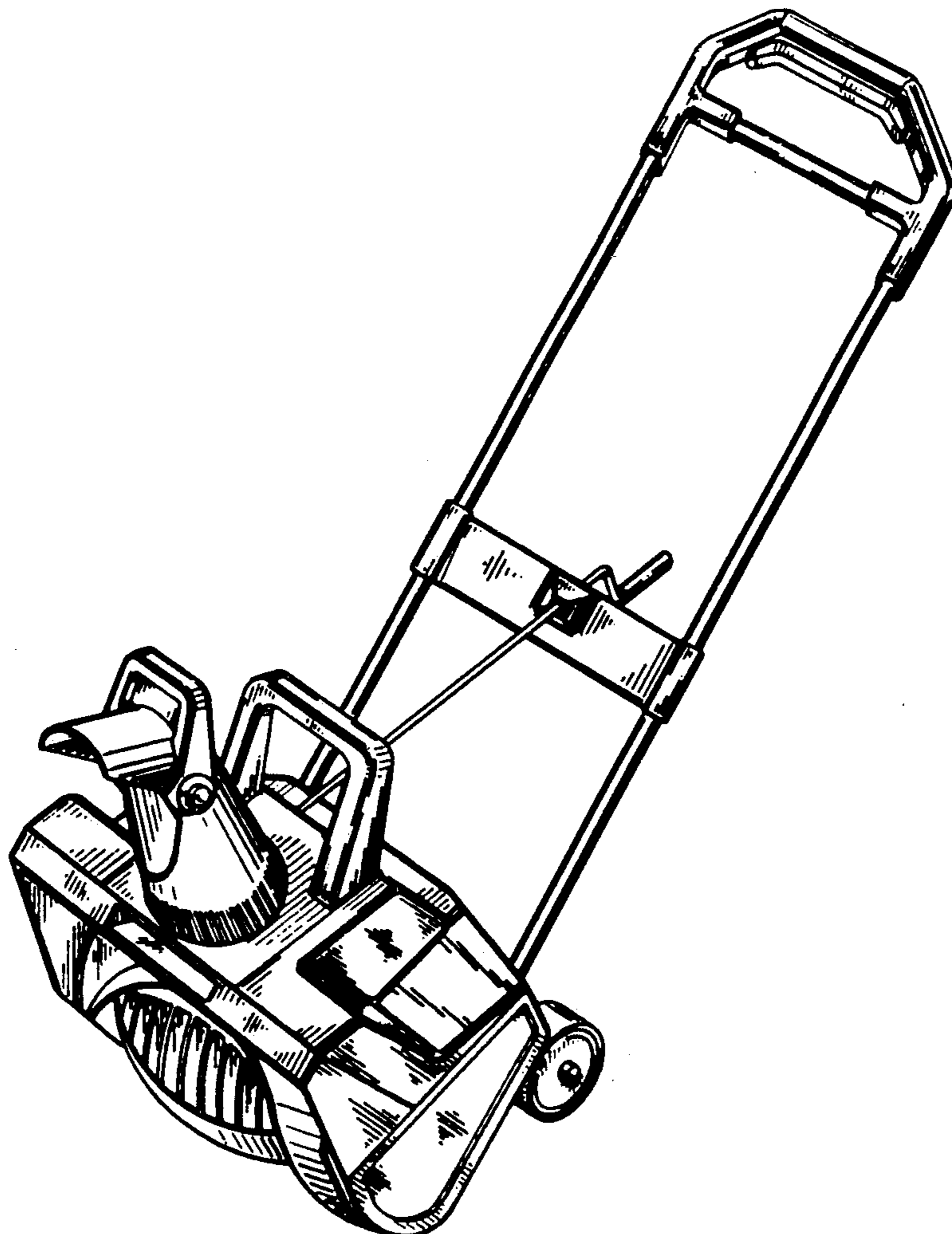
FIG. 2 is a front elevational view thereof;

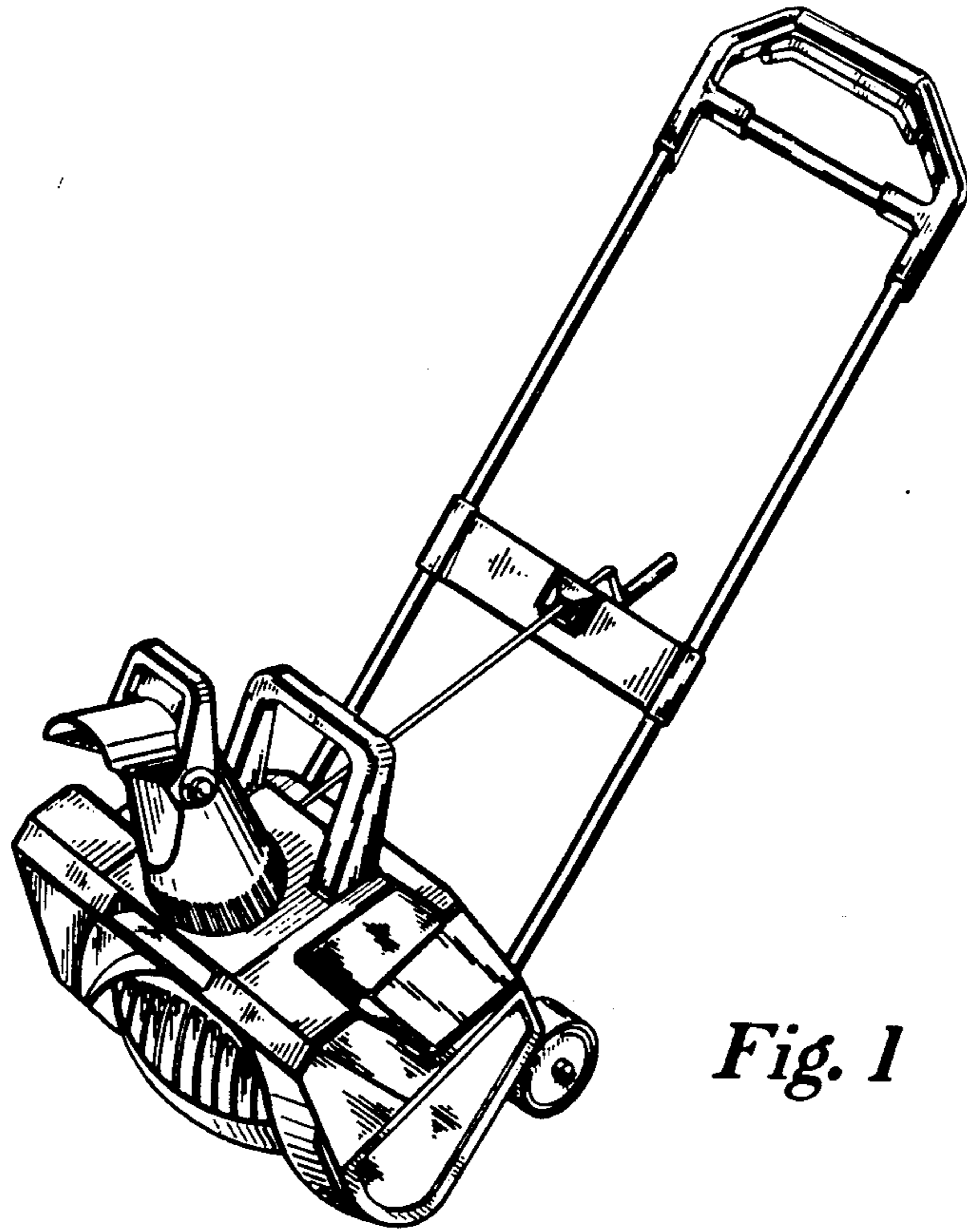
FIG. 3 is a right side elevational view thereof, the left side being a mirror image;

FIG. 4 is a rear elevational view thereof;

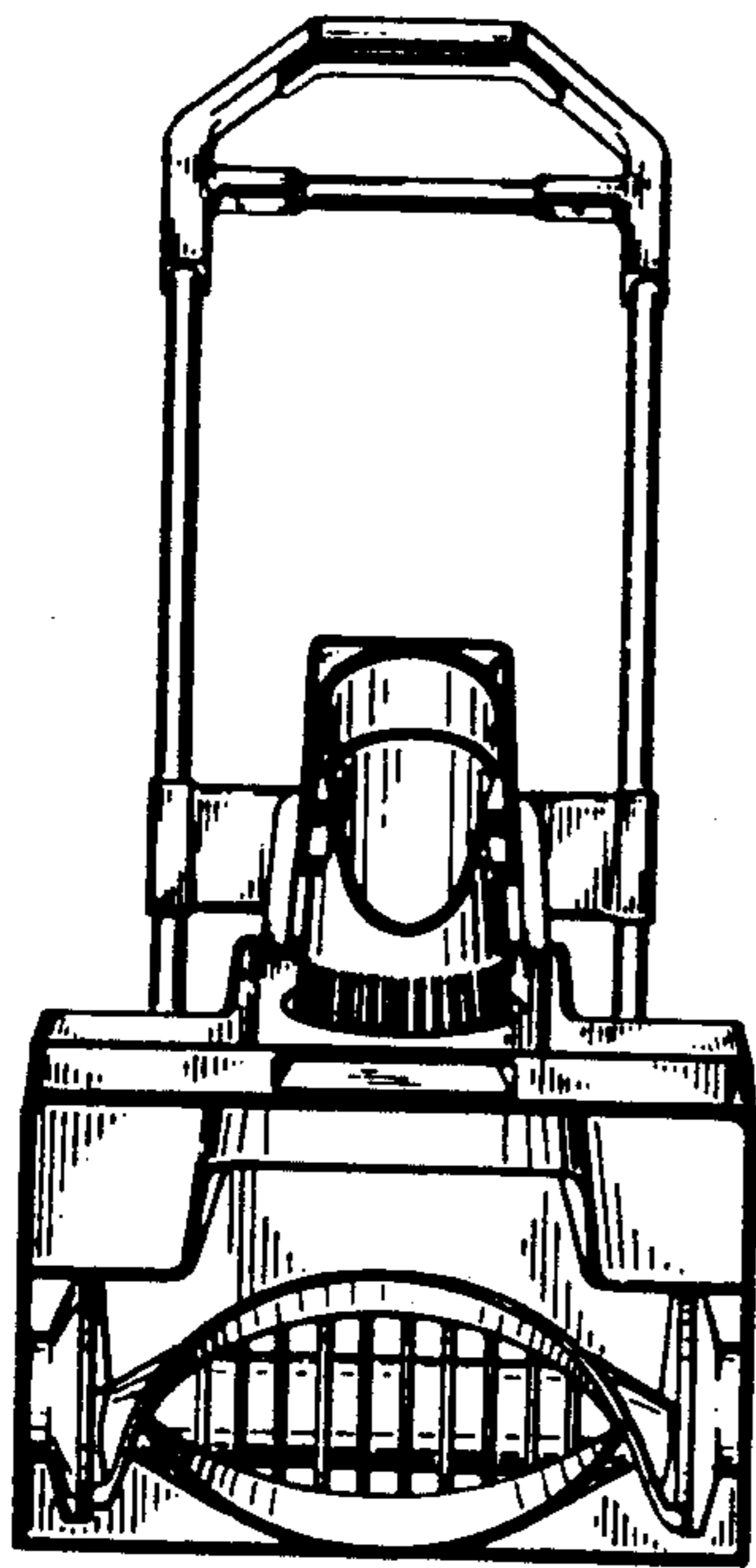
FIG. 5 is a top plan view thereof;

FIG. 6 is a bottom plan view thereof.

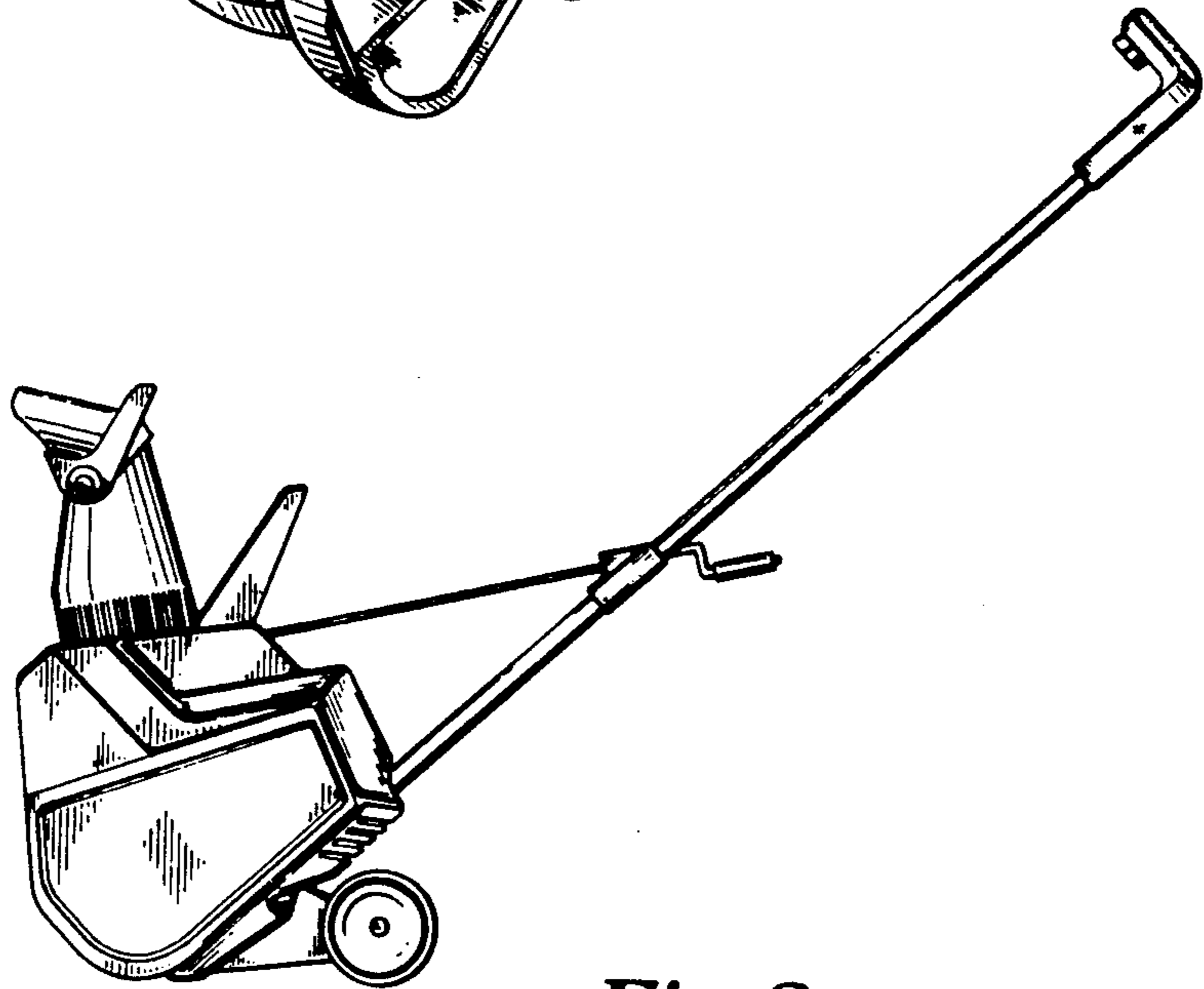




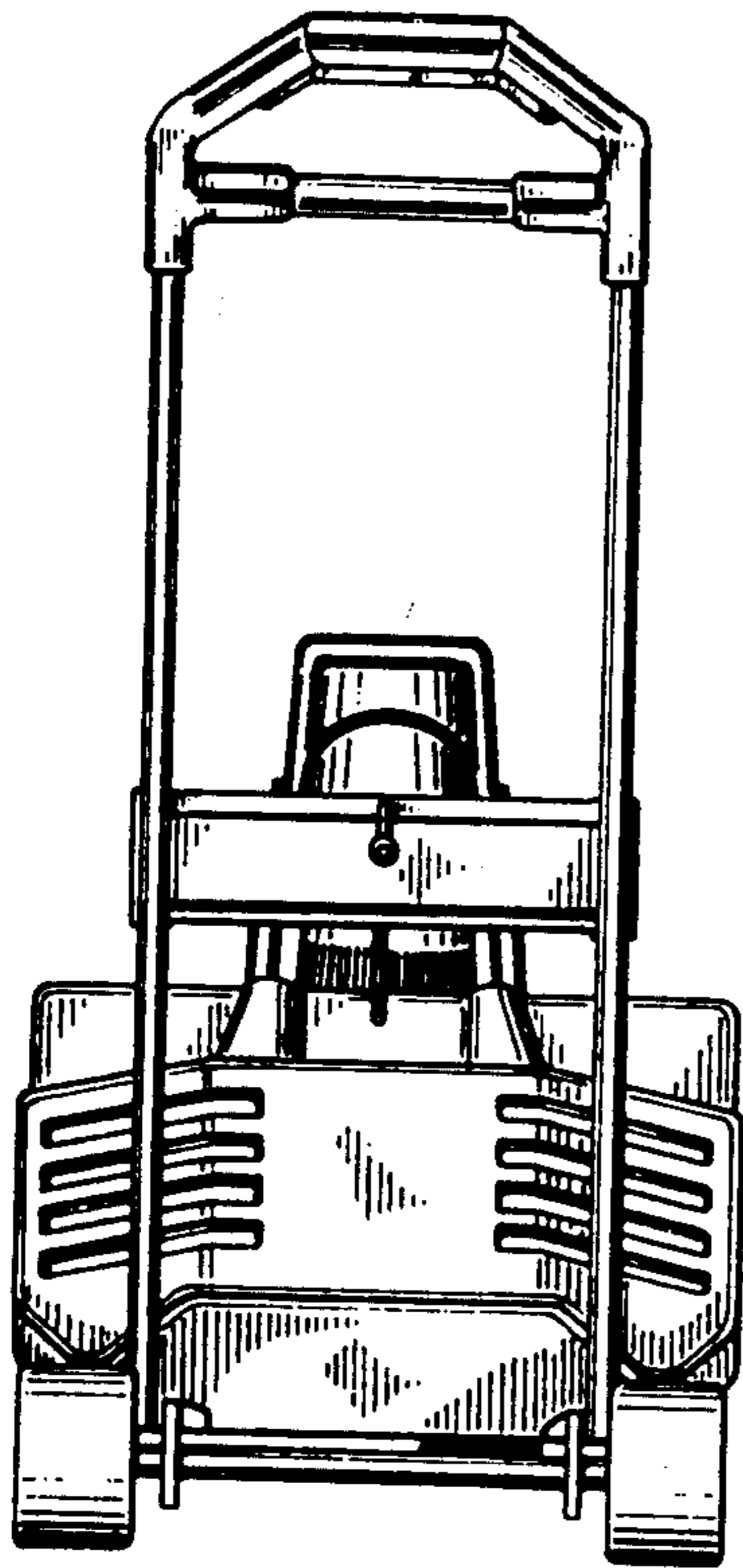
*Fig. 1*



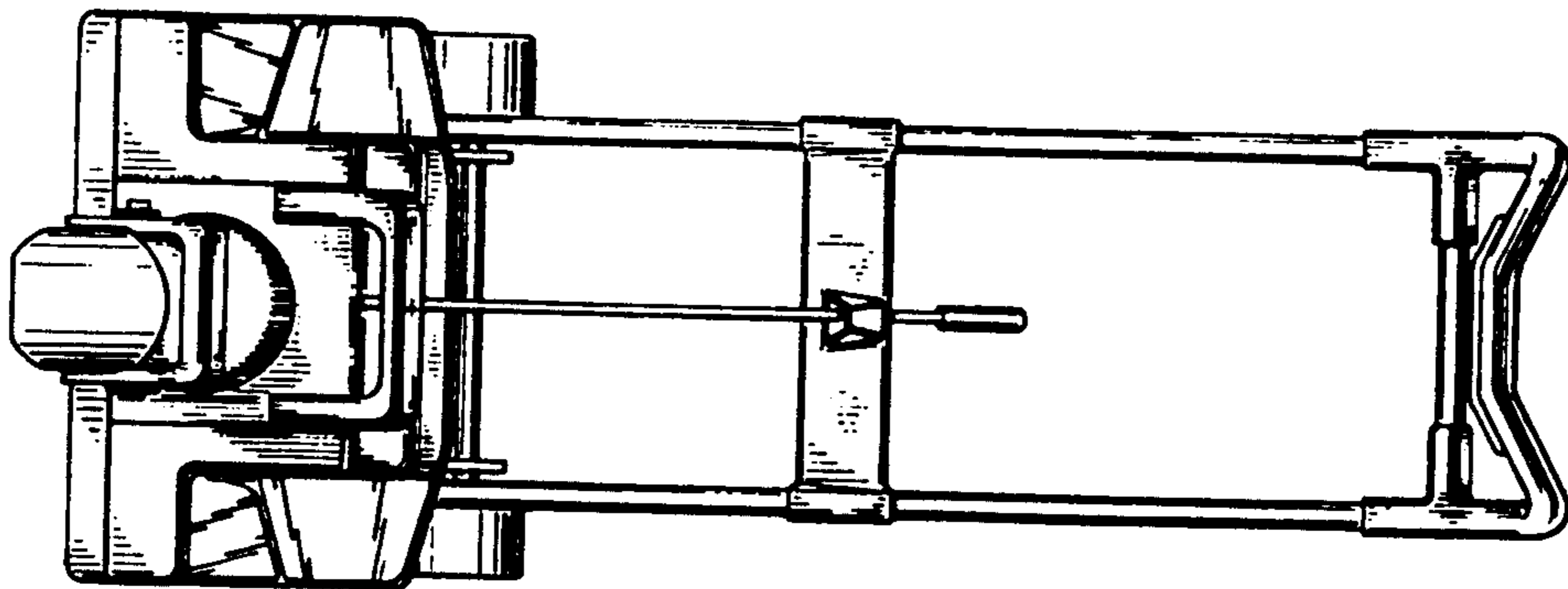
*Fig. 2*



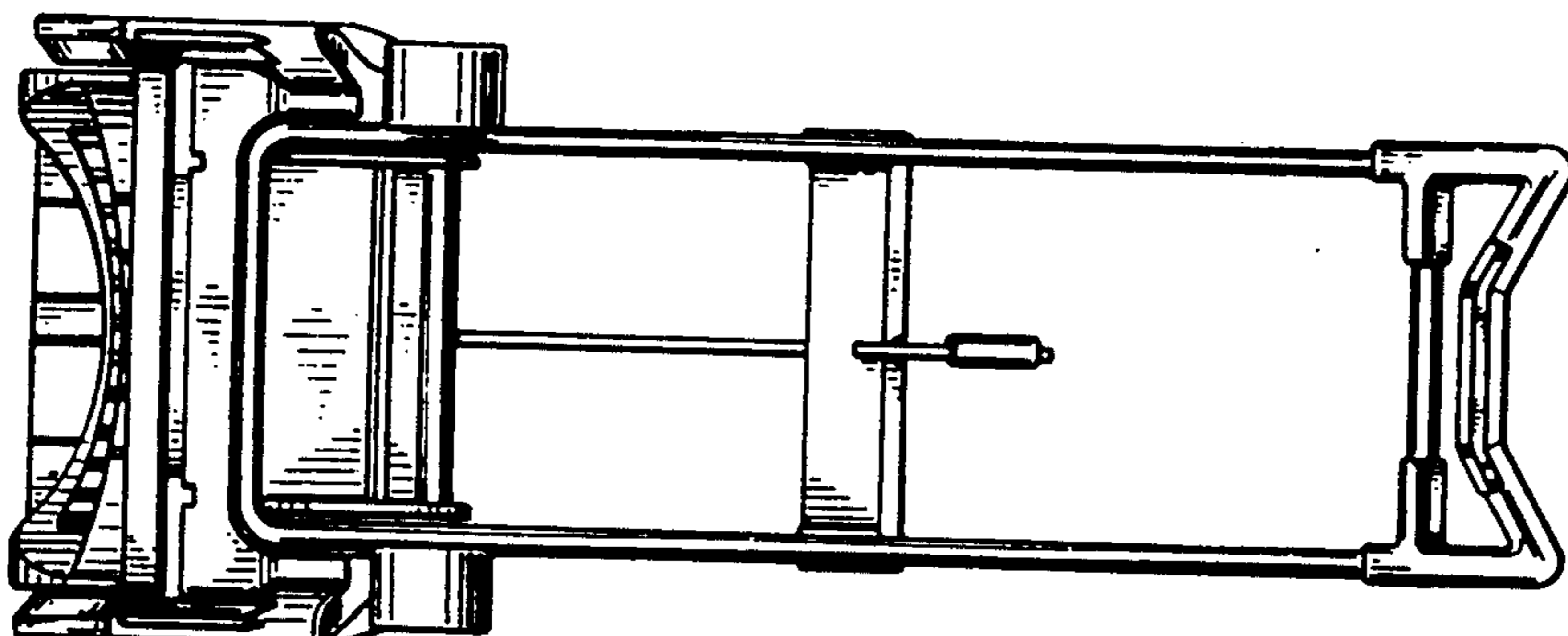
*Fig. 3*



*Fig. 4*



*Fig. 5*



*Fig. 6*