

[54] DIGITAL AUDIO DISK PLAYER

[75] Inventors: **Tatsuo Horikoshi; Kenshiro Tanaka,**
both of Sayama, Japan

[73] Assignee: **Nakamichi Corporation,** Tokyo,
Japan

[**] Term: **14 Years**

[21] Appl. No.: **444,372**

[22] Filed: **Dec. 1, 1989**

[52] U.S. Cl. **D14/156; D14/136**

[58] Field of Search **D14/124-125,**
D14/135-136, 156, 160-162, 164, 168;
369/75.1, 77.1, 77.2

[56] **References Cited**

U.S. PATENT DOCUMENTS

- D. 291,689 9/1987 Nishiyama et al. D14/156
- D. 311,915 11/1990 Hong D14/135
- D. 314,198 1/1991 Ito et al. D14/156

OTHER PUBLICATIONS

Stereo Review, Oct. 1988, p. 56, center—CD player.

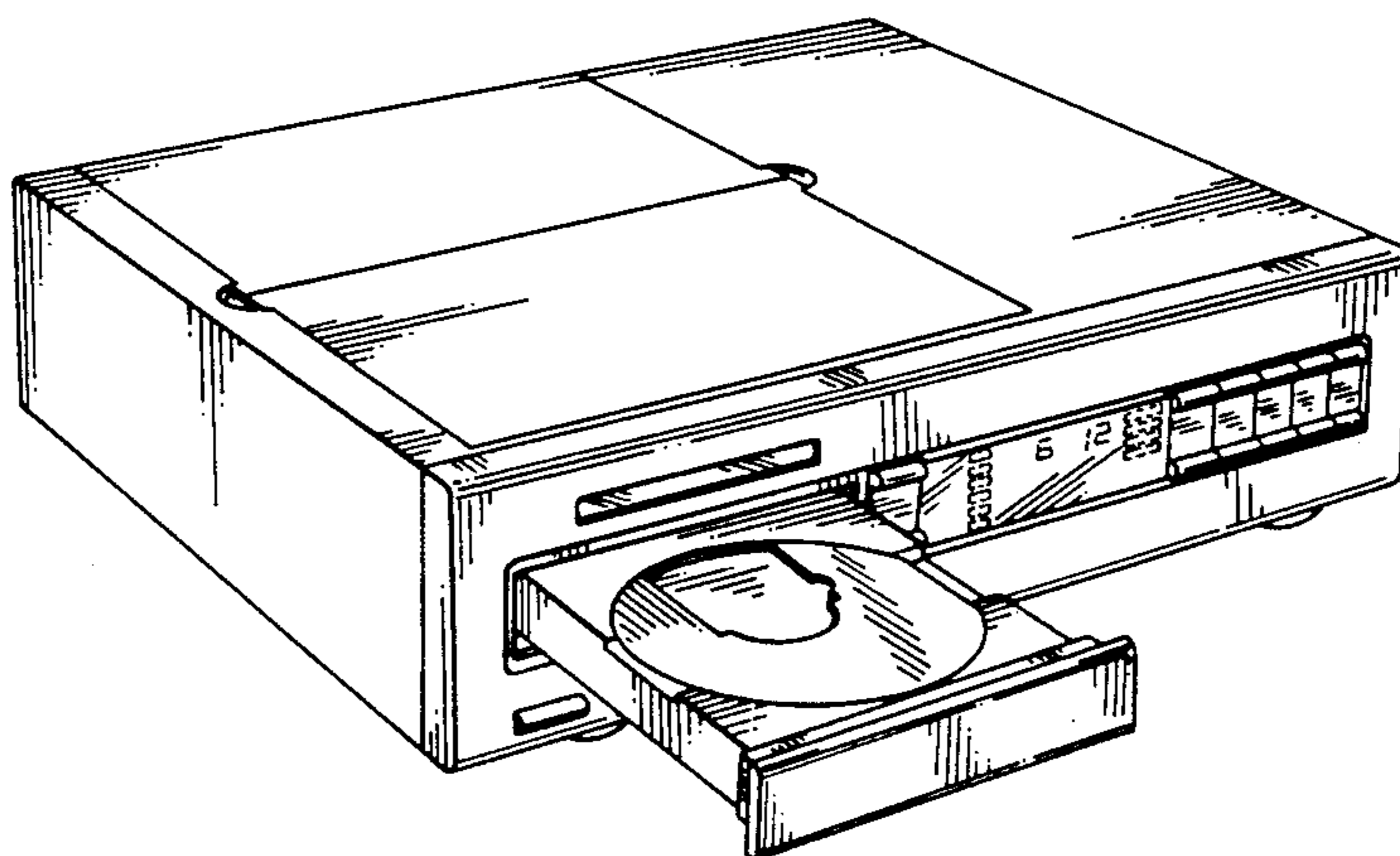
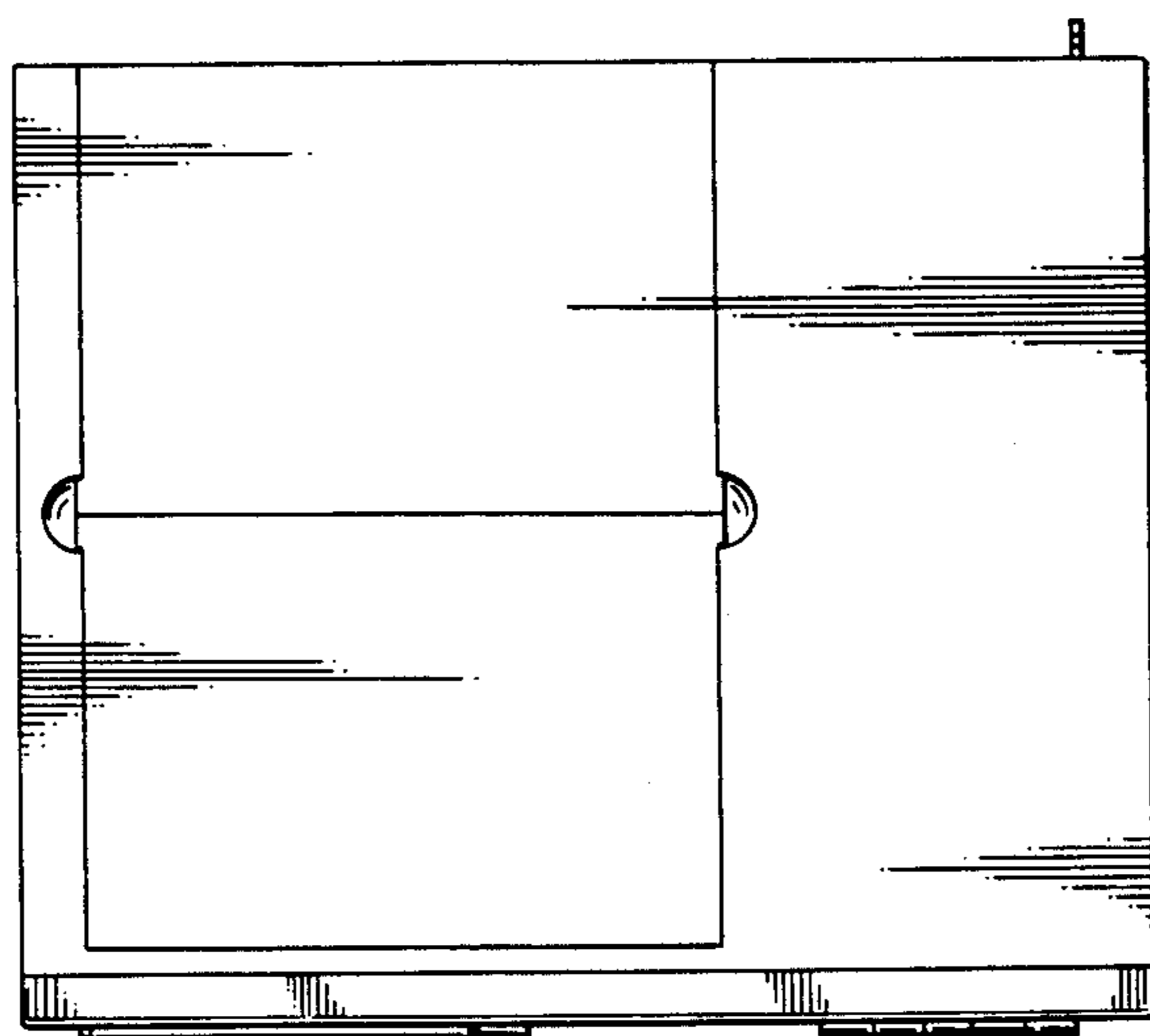
Primary Examiner—Theodore M. Shooman
Attorney, Agent, or Firm—Moonray Kojima

[57] **CLAIM**

The ornamental design for digital audio disk player, as shown and described.

DESCRIPTION

FIG. 1 is a top, front and left side perspective view of a digital audio disk player showing our new design; FIG. 2 is a front elevational view thereof; FIG. 3 is a rear elevational view thereof; FIG. 4 is a right side elevational view thereof; FIG. 5 is a left side elevational view thereof; FIG. 6 is a top plan view thereof; FIG. 7 is a bottom plan view thereof; and FIG. 8 is a top, front and left side perspective view thereof, shown with the disk platform in an extended position. The broken line showing of the numerals and buttons is for illustrative purposes only and forms no part of the claimed design.



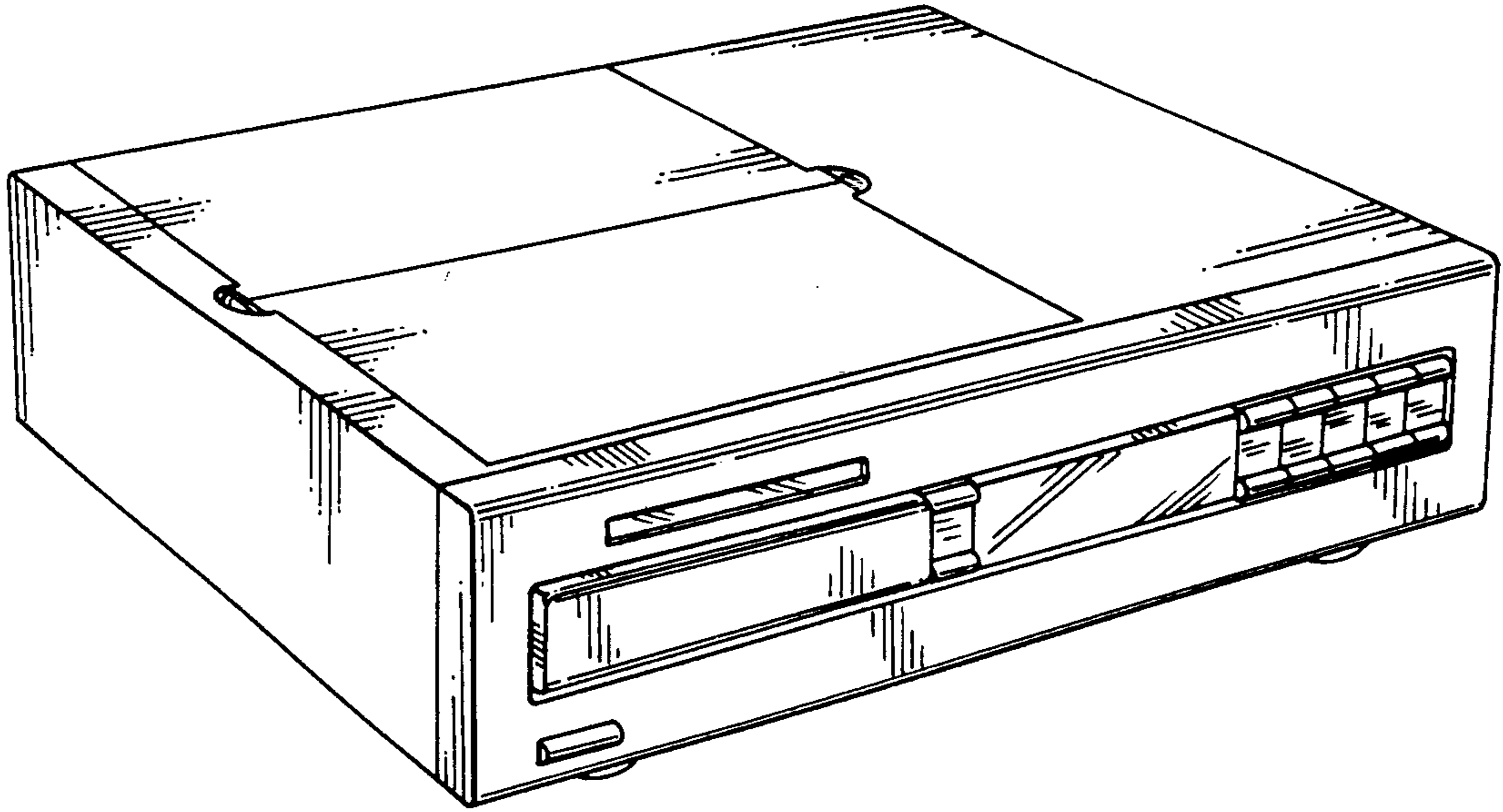


Fig. 1

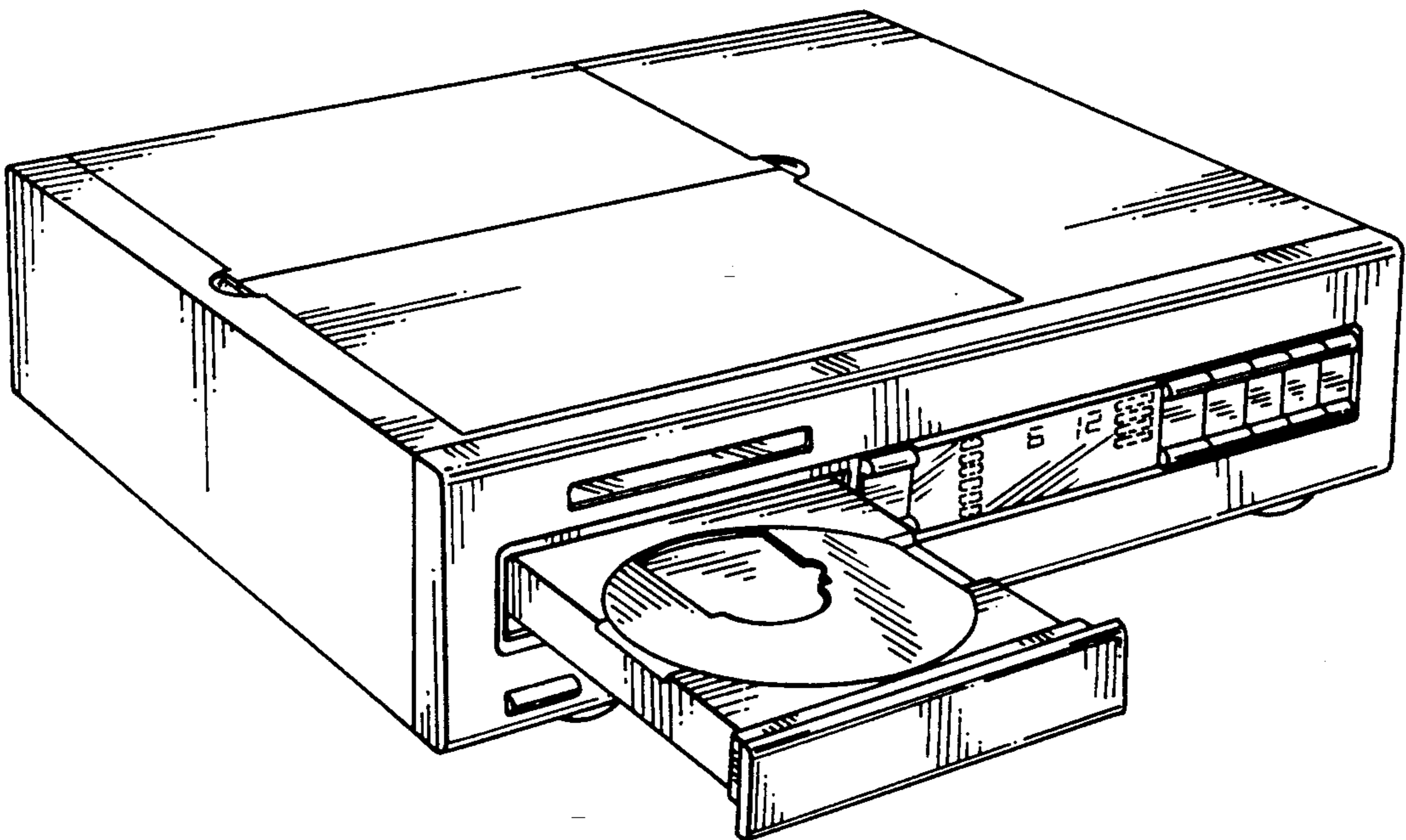


Fig. 8

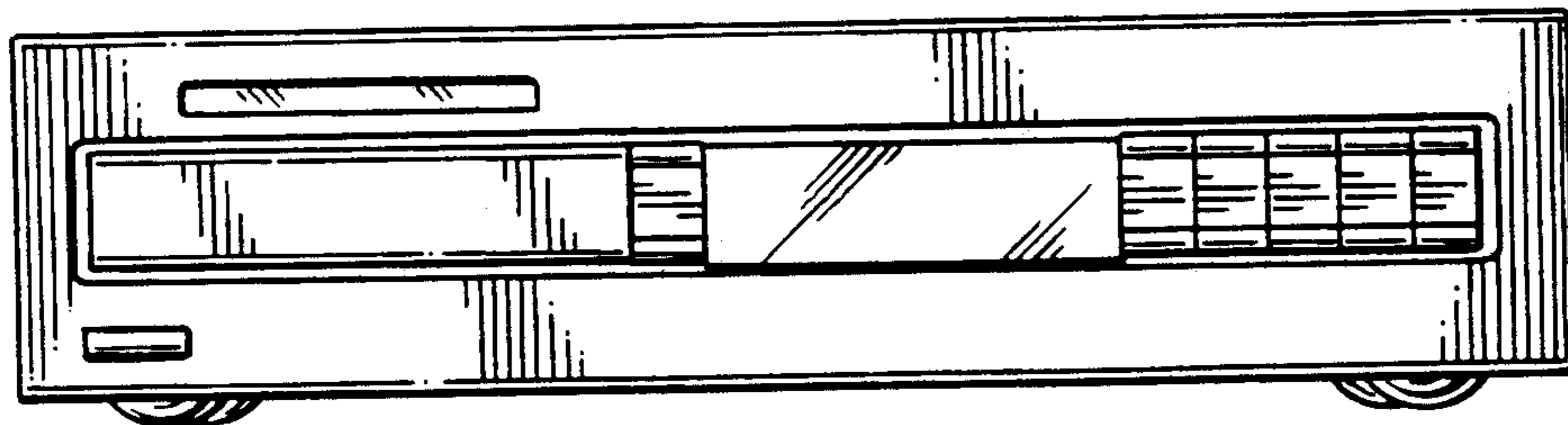


Fig. 2

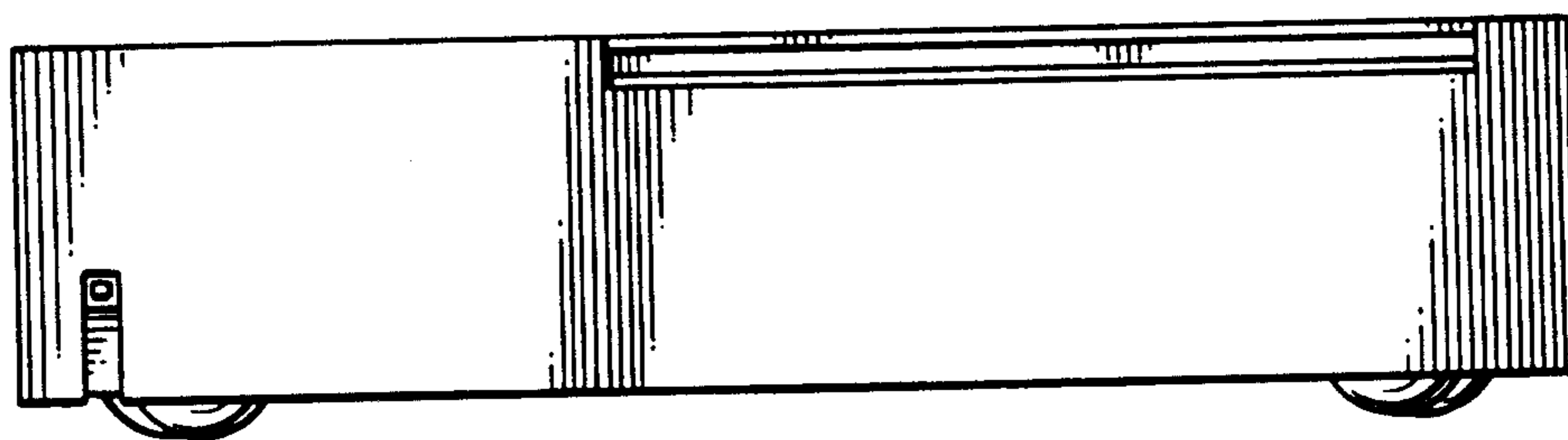


Fig. 3

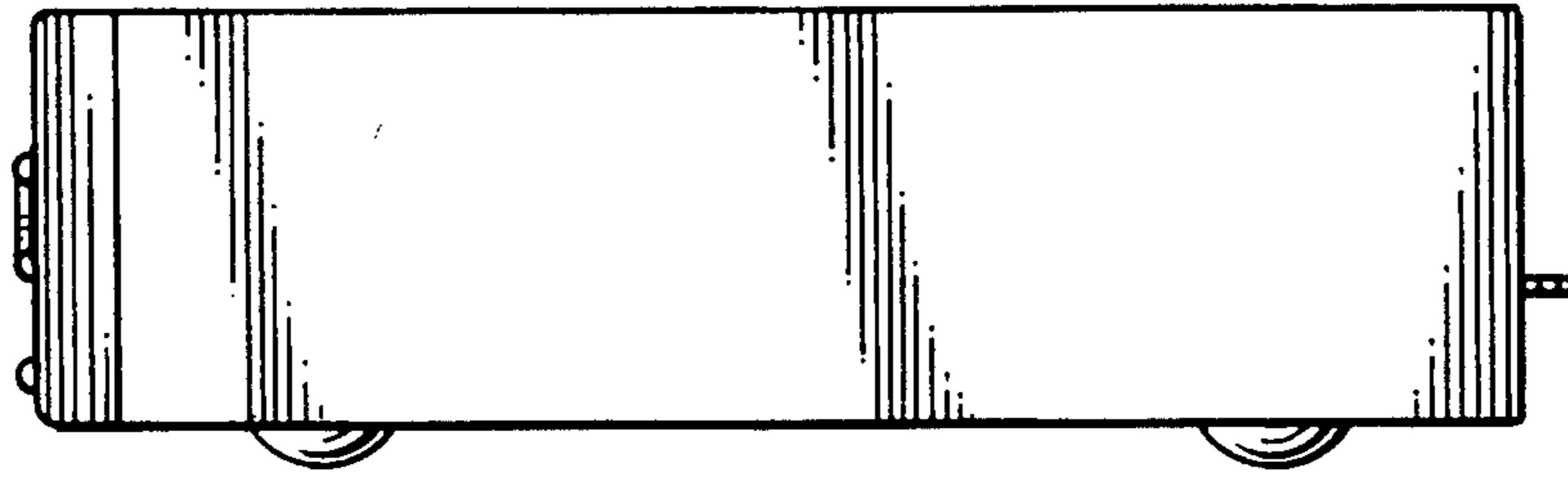


Fig. 4

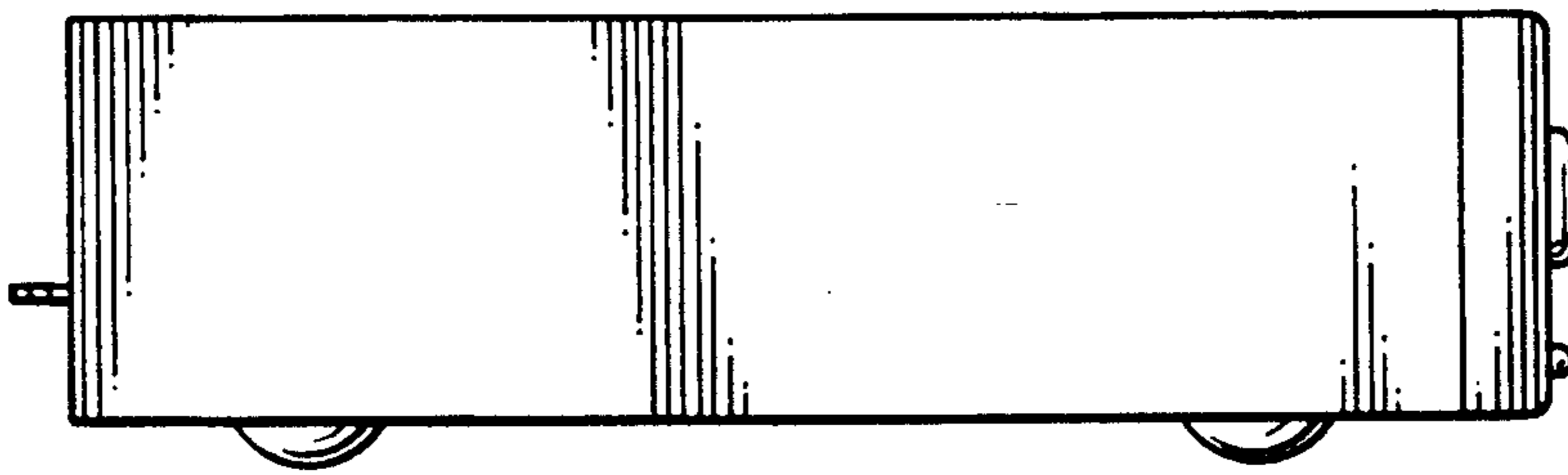


Fig. 5

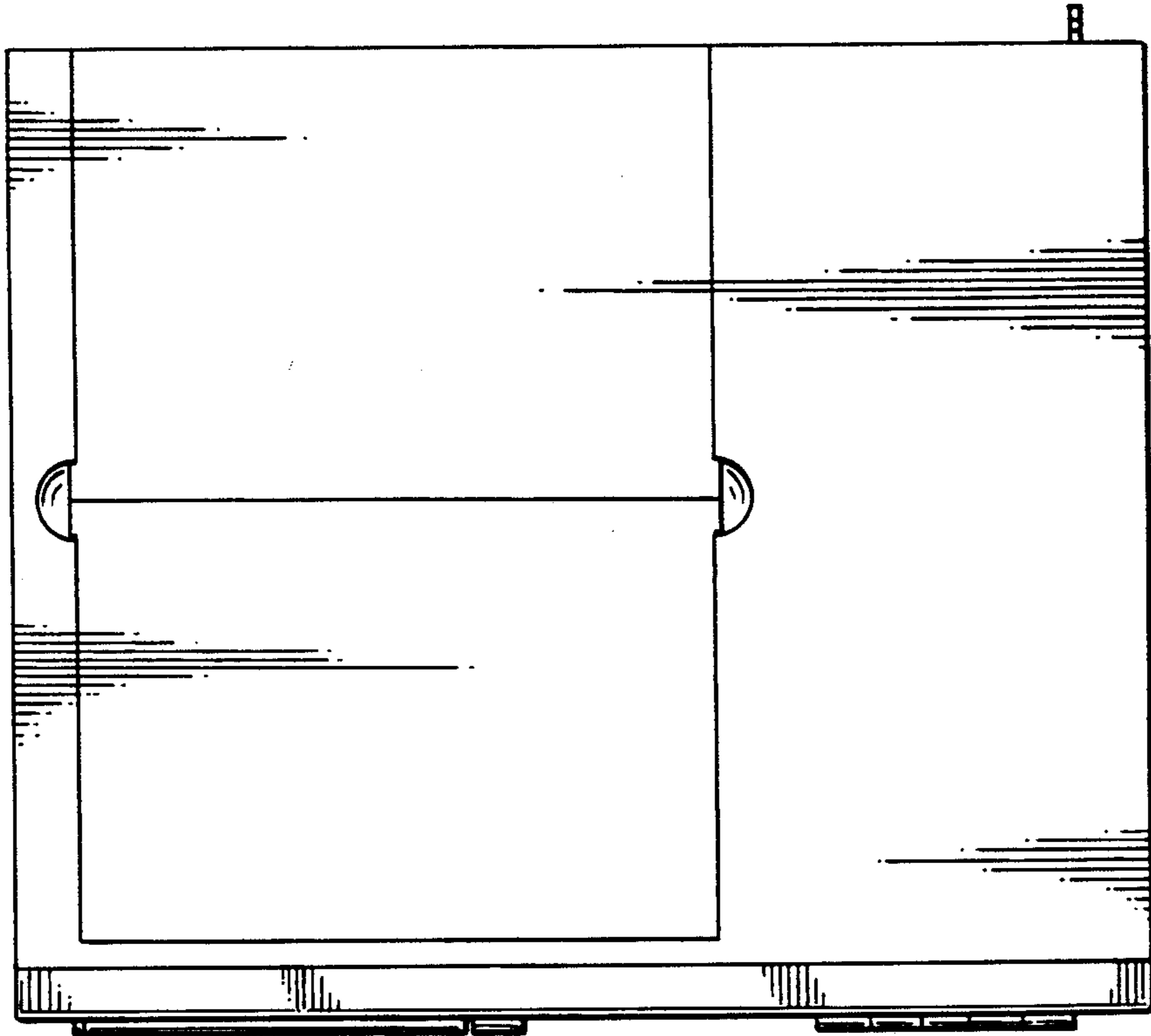


Fig. 6

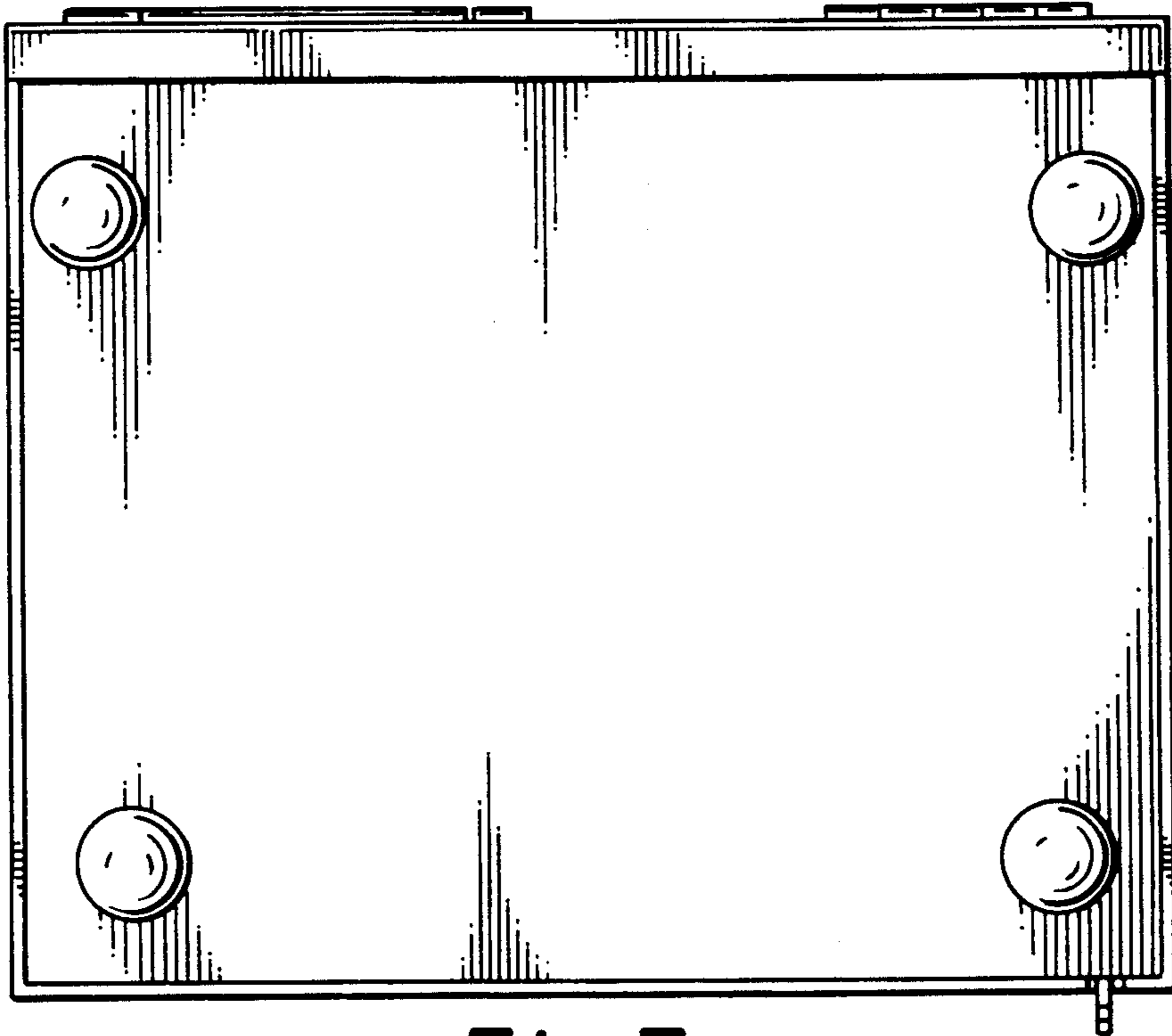


Fig. 7