

[54] **TELEPHONE SET**  
 [75] **Inventor: Clive Grinyer, London, England**  
 [73] **Assignee: Commtel Consumer Electronics plc, England**  
 [\*\*] **Term: 14 Years**  
 [21] **Appl. No.: 571,276**  
 [22] **Filed: Aug. 23, 1990**  
 [52] **U.S. Cl. .... D14/151; D14/141; D14/142**  
 [58] **Field of Search ..... D14/151, 141, 142, 143, D14/144, 159; 379/67, 68, 368, 436; 455/90**

D. 304,940 12/1989 Pfeifer et al. .... D14/151  
 D. 305,121 12/1989 Pfeifer et al. .... D14/159  
 D. 306,165 2/1990 Hikawa ..... D14/151  
 D. 307,428 4/1990 Pfeifer et al. .... D14/241  
 D. 307,429 4/1990 Pfeifer et al. .... D14/241  
 D. 309,303 7/1990 Appleby ..... D14/144  
 D. 311,184 10/1990 Appleby ..... D14/141  
 D. 311,396 10/1990 Kajita ..... D14/144  
 D. 315,156 3/1991 Diehl ..... D14/151  
 4,736,411 4/1988 Chan ..... 379/368

*Primary Examiner*—Horace B. Fay, Jr.  
*Attorney, Agent, or Firm*—Banner, Birch, McKie & Beckett

[56] **References Cited**  
**U.S. PATENT DOCUMENTS**

D. 218,756 9/1970 Federico ..... D14/141  
 D. 261,139 10/1981 Jakobsen ..... D14/151  
 D. 273,863 5/1984 Goodin ..... D14/151  
 D. 287,721 1/1987 Perkins ..... D14/151  
 D. 290,603 6/1987 Offredi ..... D14/151  
 D. 290,837 7/1987 Martinez ..... D14/141  
 D. 292,703 11/1987 Tragatschnig ..... D14/151  
 D. 293,105 12/1987 Bullock et al. .... D14/151  
 D. 293,571 1/1988 Büchin ..... D14/151  
 D. 295,406 4/1988 Dunstall ..... D14/151  
 D. 299,342 1/1989 Büchin ..... D14/241 X

[57] **CLAIM**  
 The ornamental design for a telephone set, as shown and described.

**DESCRIPTION**

FIG. 1 is a left side, top and front perspective view of a telephone set showing my new design;  
 FIG. 2 is a right side, top and rear perspective view thereof;  
 FIG. 3 is a right side elevational view thereof;  
 FIG. 4 is a front elevational view thereof;  
 FIG. 5 is a left side elevational view thereof;  
 FIG. 6 is a top plan view thereof;  
 FIG. 7 is a rear elevational view thereof;  
 FIG. 8 is a bottom plan view thereof.

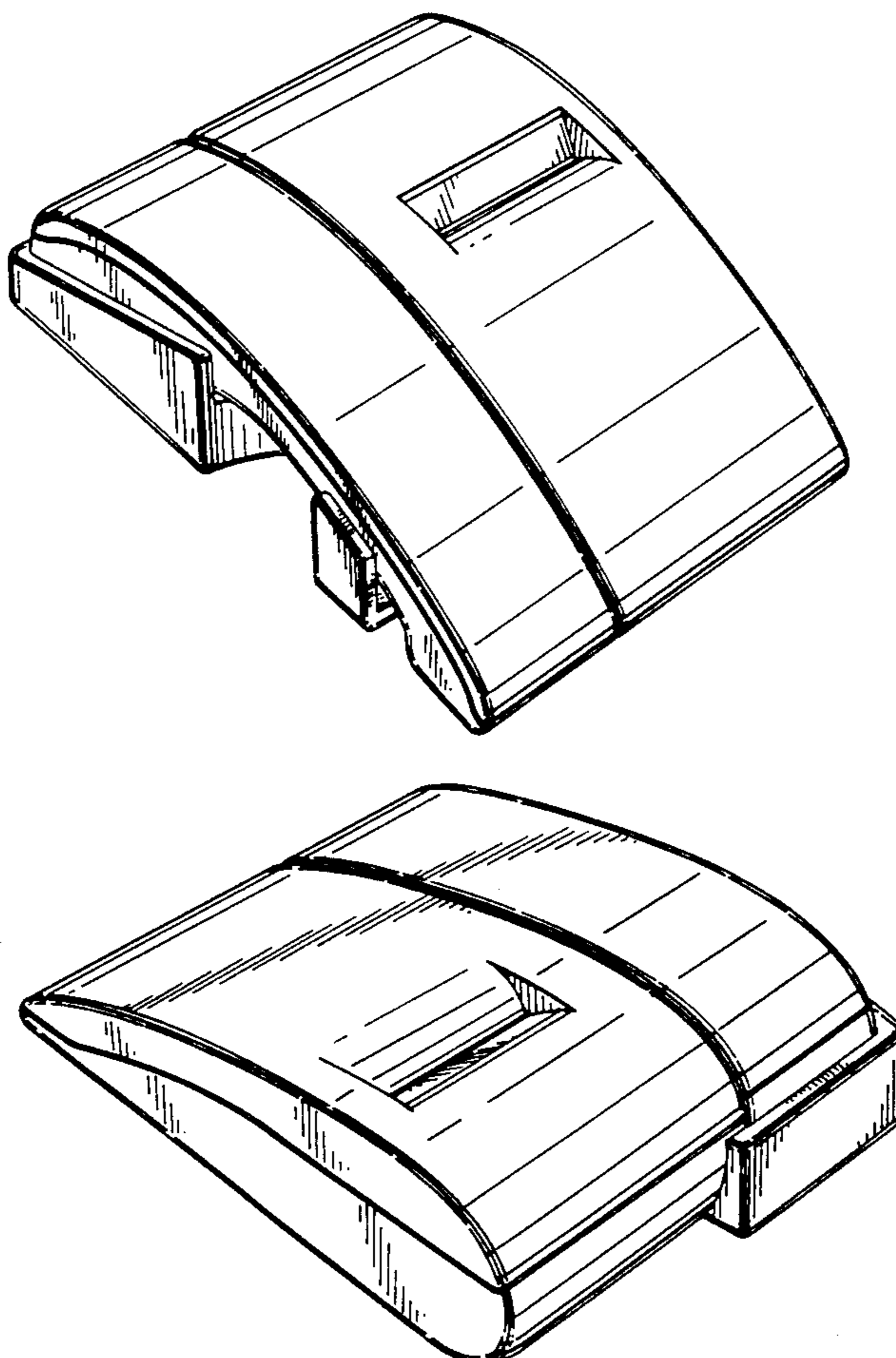


FIG.1.

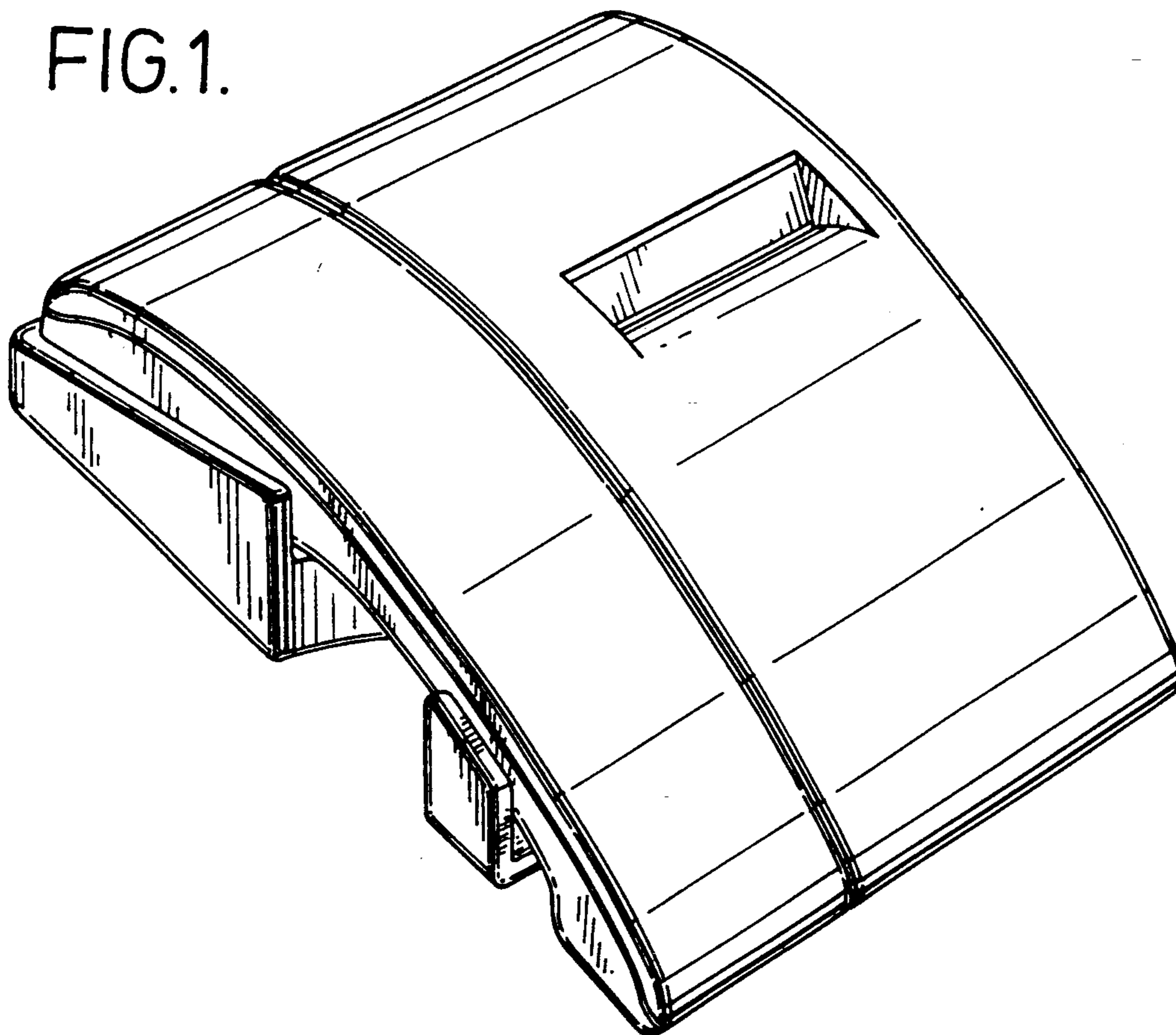
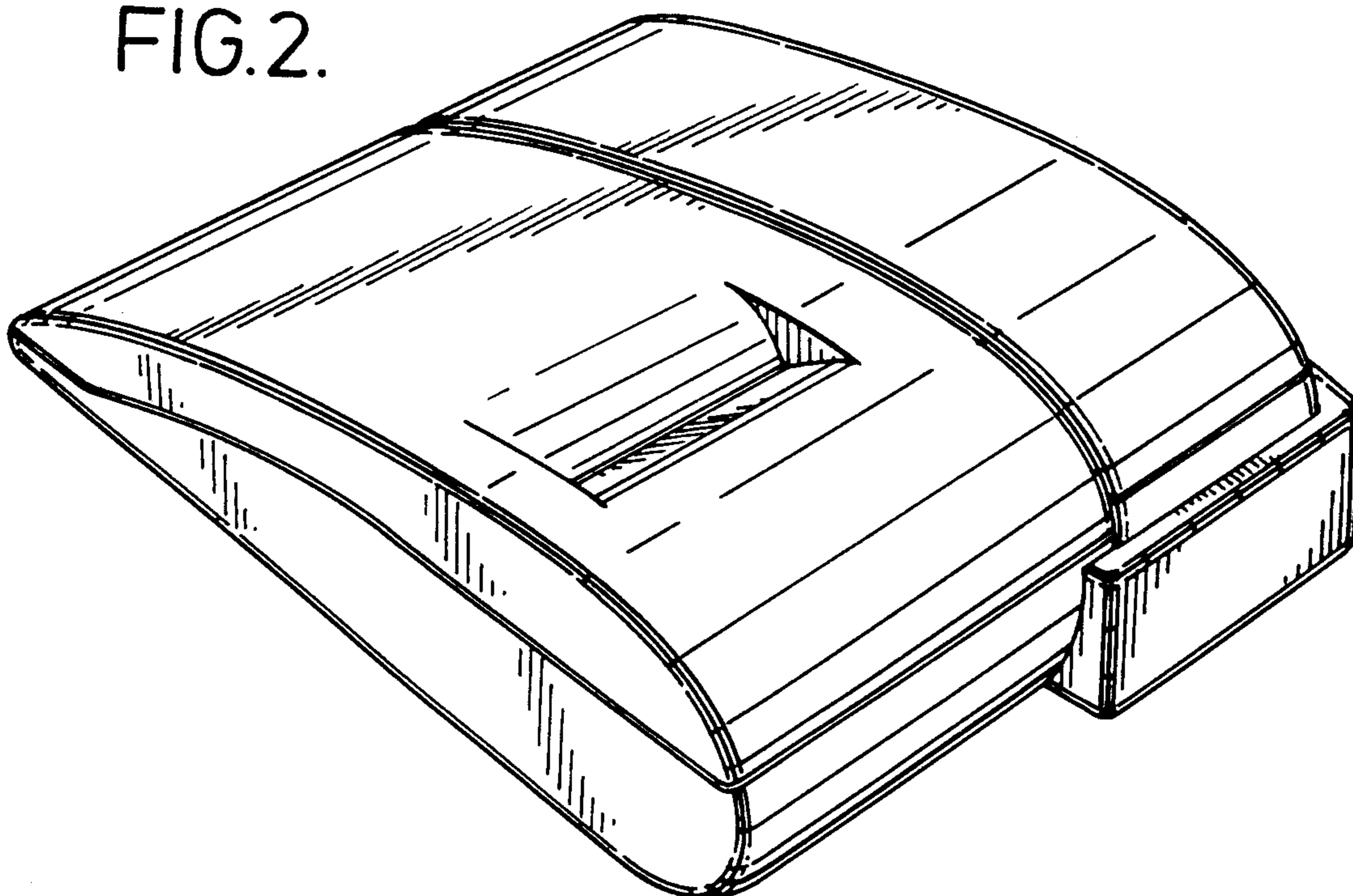


FIG.2.



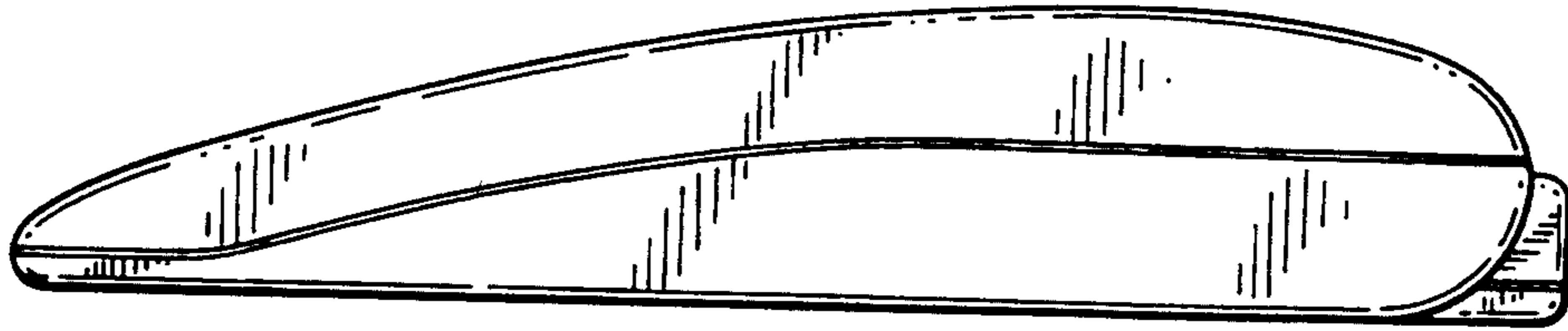


FIG. 3.

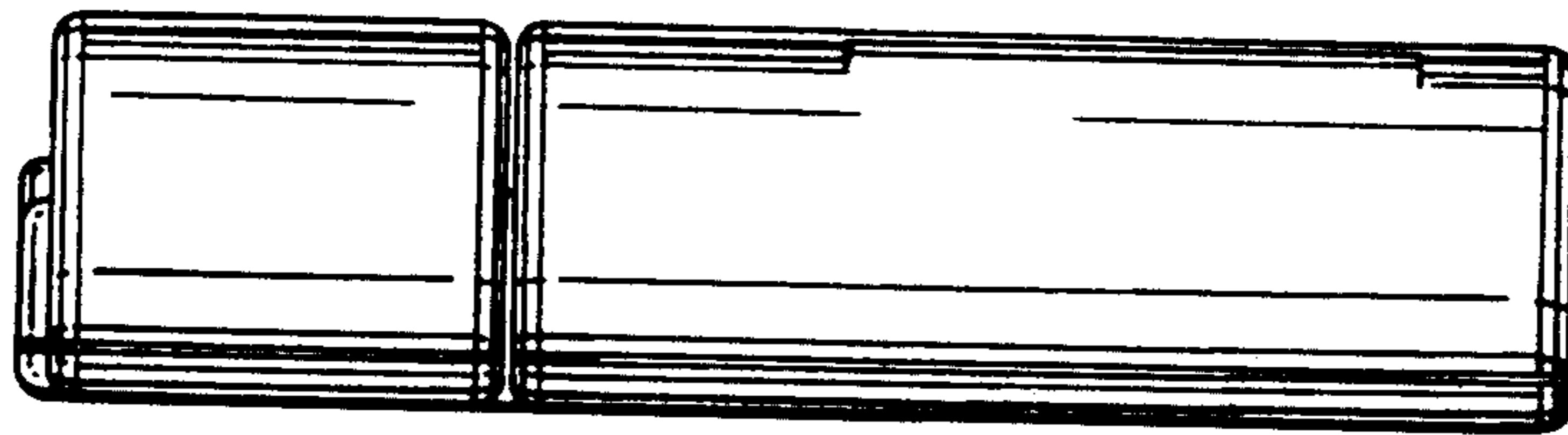


FIG. 4.

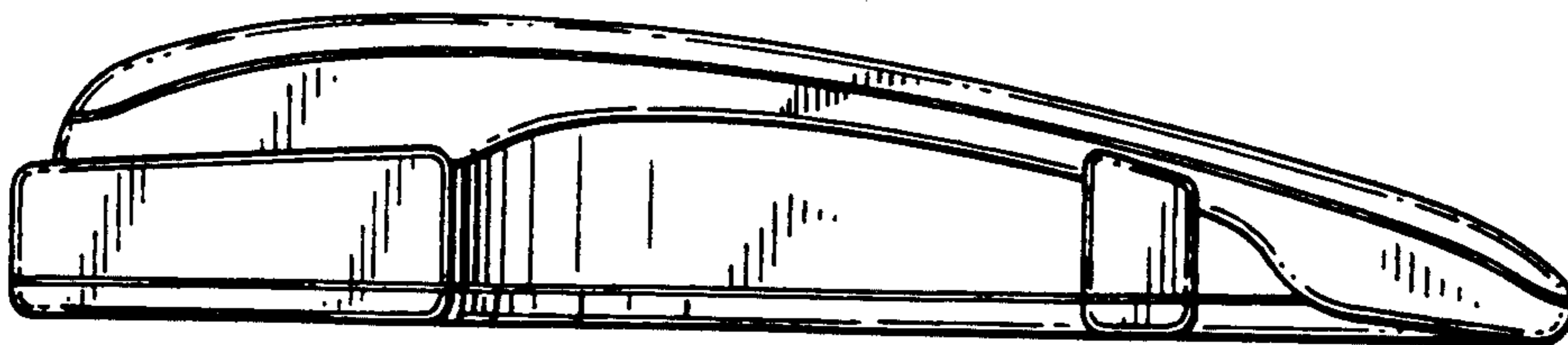


FIG. 5.

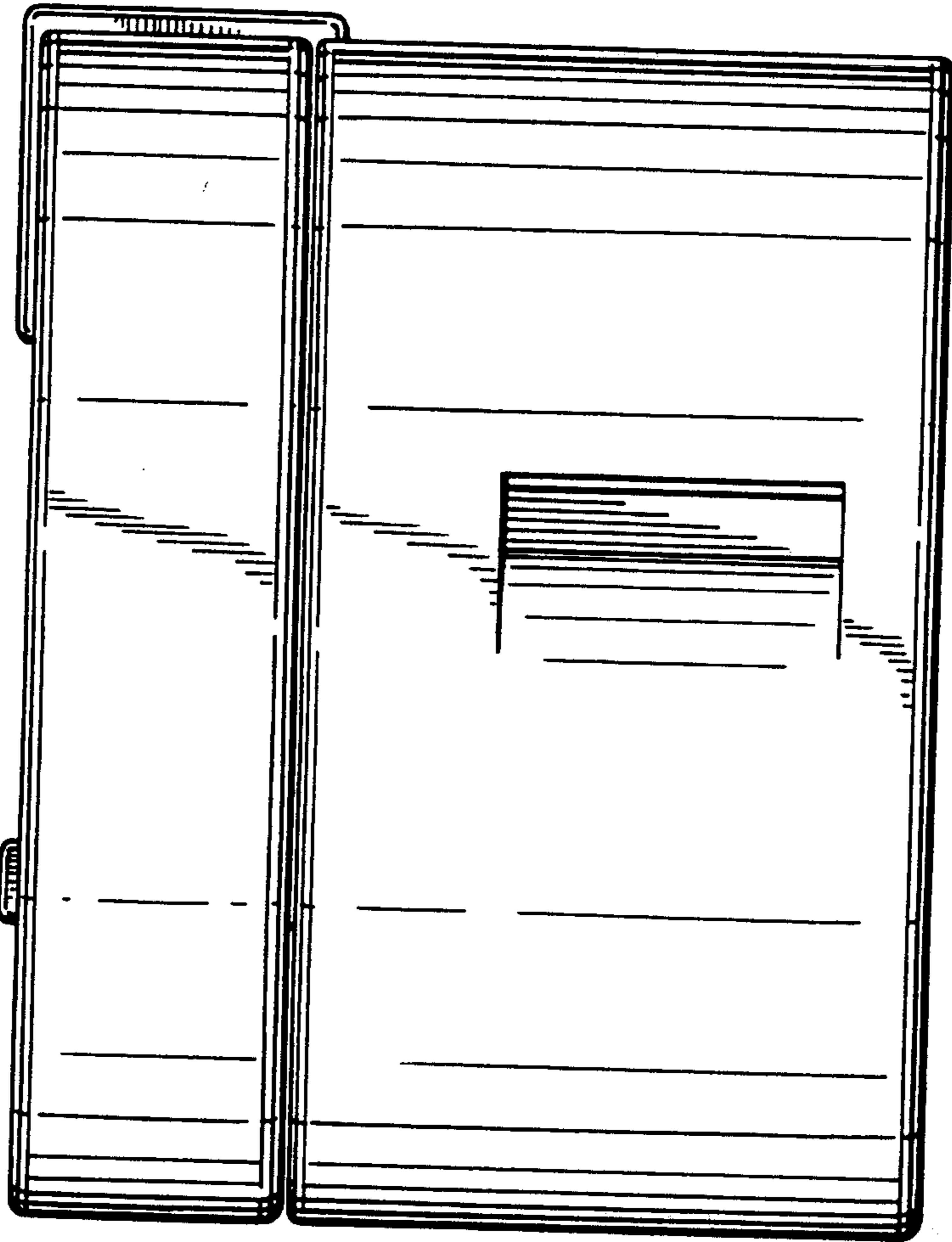


FIG. 6.

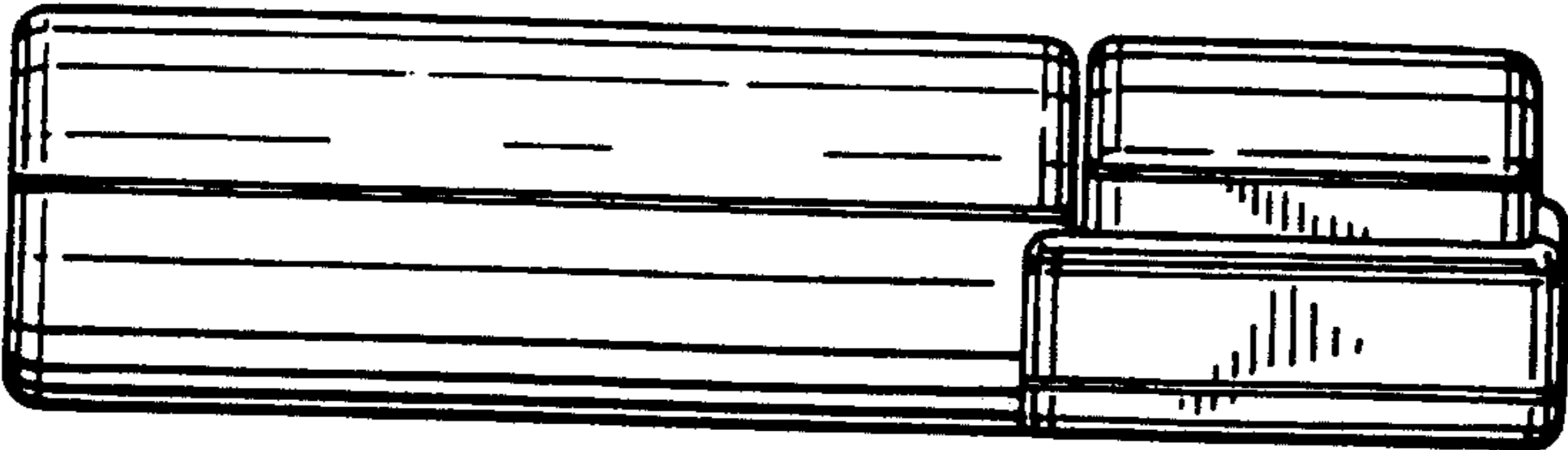


FIG. 7.

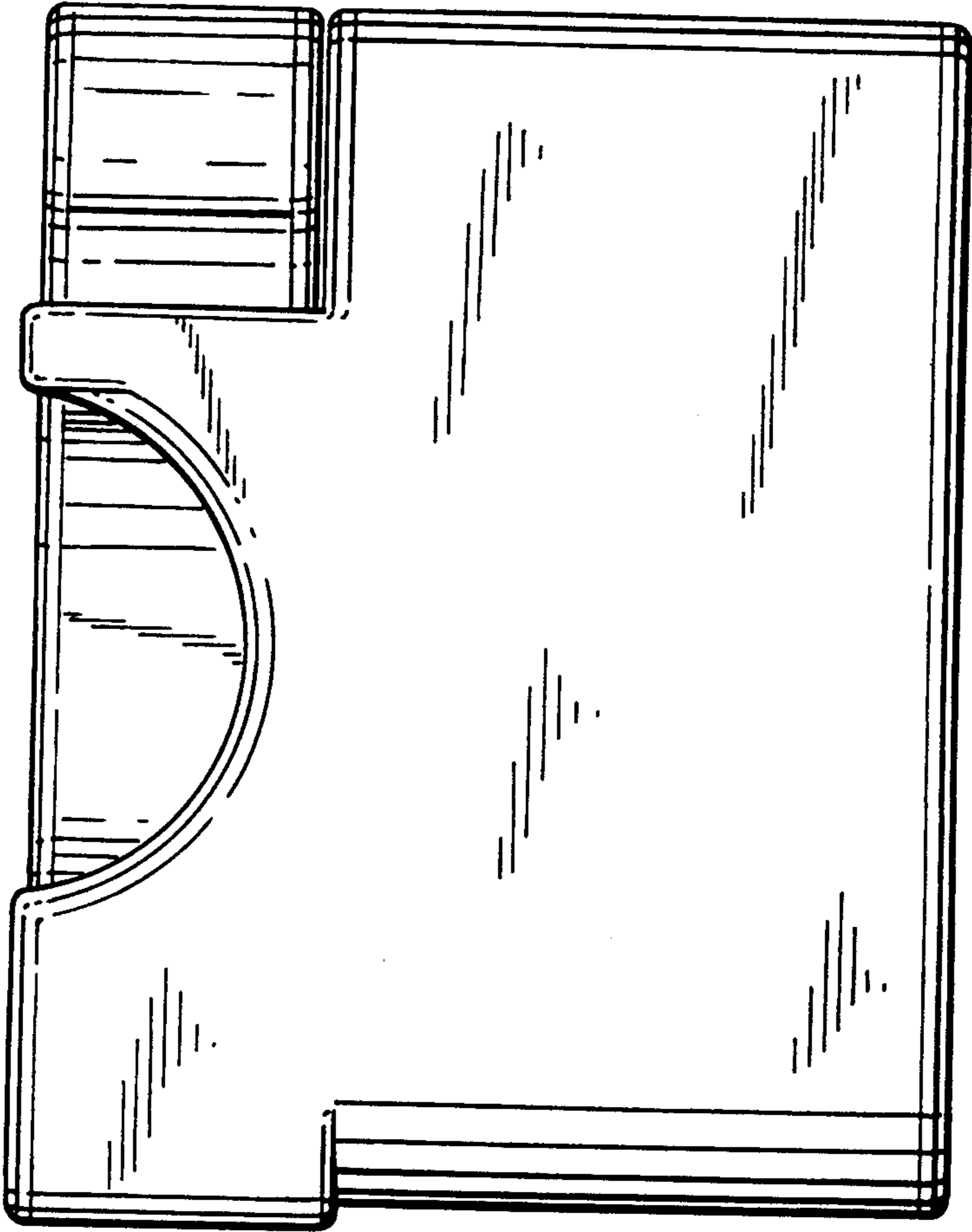


FIG.8.