

[54] **COMBINATION TELEPHONE SET
 ANSWERING MACHINE AND CORDLESS
 TELEPHONE SUPPORT UNIT**

[75] **Inventor: Clive Grinyer, London, England**

[73] **Assignee: Commtel Consumer Electronics plc,
 England**

[**] **Term: 14 Years**

[21] **Appl. No.: 571,274**

[22] **Filed: Aug. 23, 1990**

[52] **U.S. Cl. D14/138; D14/141;
 D14/151**

[58] **Field of Search D14/138, 141, 151, 159,
 D14/241; 379/368, 436, 68, 60, 61, 440, 436;
 455/90, 89**

D. 304,940	12/1989	Pfeifer et al.	D14/151
D. 305,121	12/1989	Pfeifer et al.	D14/159
D. 306,165	2/1990	Hikawa	D14/151
D. 307,428	4/1990	Pfeifer et al.	D14/241
D. 307,429	4/1990	Pfeifer et al.	D14/241
D. 309,303	7/1990	Appleby	D14/144
D. 311,184	10/1990	Appleby	D14/141
D. 311,396	10/1990	Kajita	D14/144
D. 315,156	3/1991	Diehl	D14/151
4,736,411	4/1988	Chan	379/368

Primary Examiner—Horace B. Fay, Jr.
Attorney, Agent, or Firm—Banner, Birch, McKie &
 Beckett

[57] **CLAIM**

The ornamental design for combination telephone set answering machine and cordless telephone support unit, as shown and described.

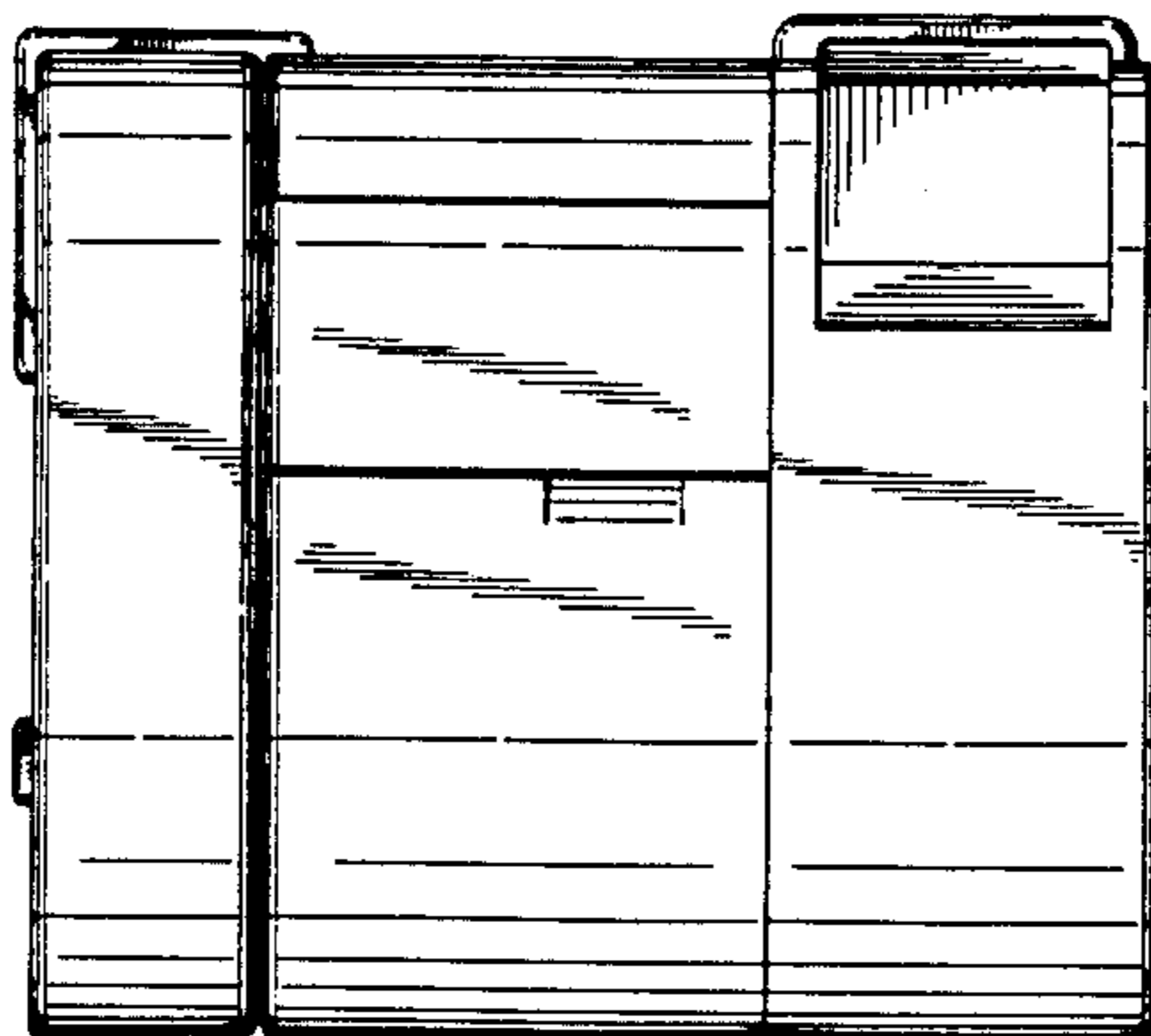
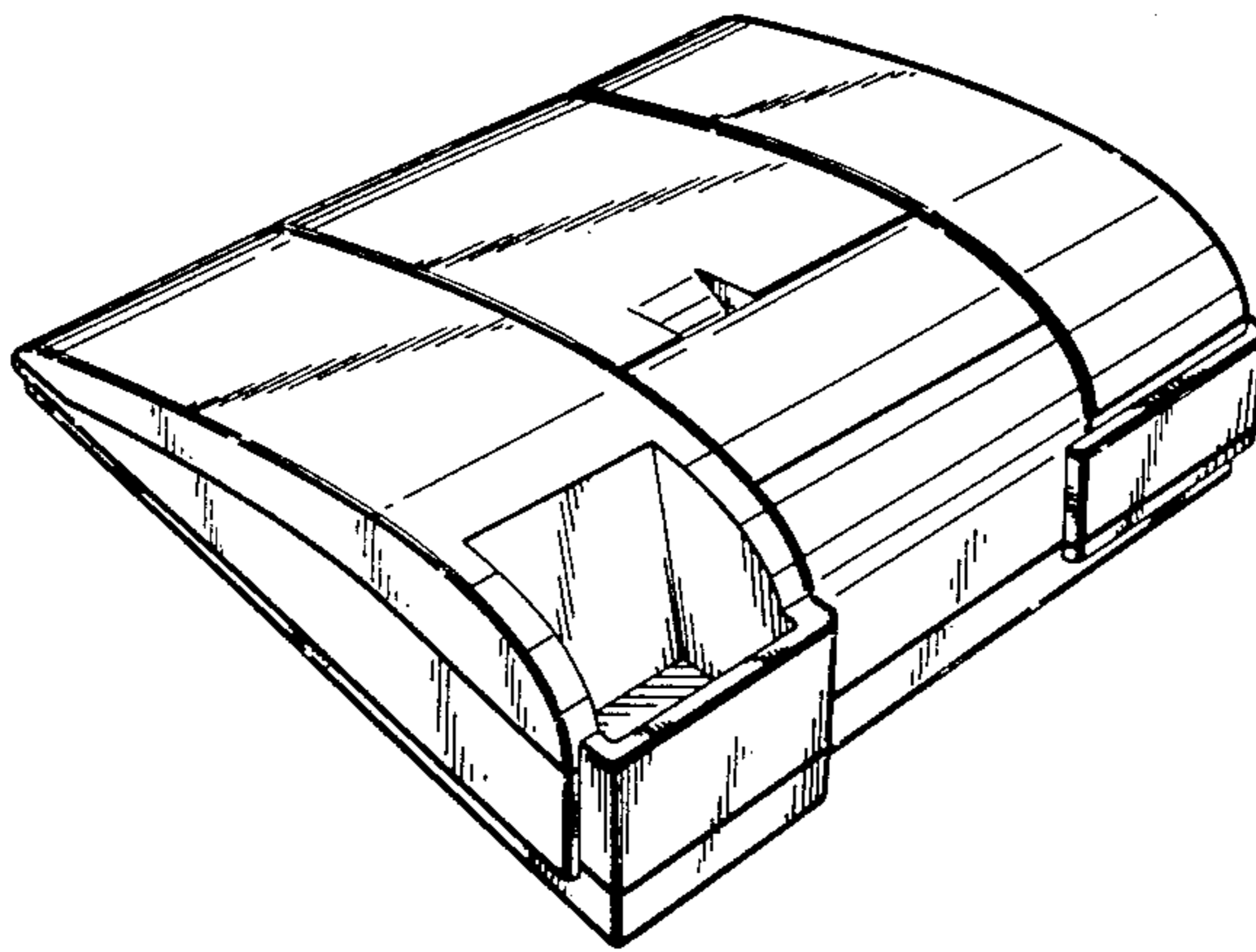
DESCRIPTION

FIG. 1 is a left side, top and front perspective view of a combination telephone set answering machine and cordless telephone support unit showing my new design;
 FIG. 2 is a right side, top and rear perspective view thereof;
 FIGS. 3 and 4 are respectively right and left side elevational views thereof;
 FIG. 5 is a front elevational view thereof;
 FIG. 6 is a top plan view thereof;
 FIG. 7 is a rear elevational view thereof; and
 FIG. 8 is a bottom plan view thereof.

[56] **References Cited**

U.S. PATENT DOCUMENTS

D. 218,756	9/1970	Frderico	D14/141
D. 261,139	10/1981	Jakobsen	D14/151
D. 273,863	5/1984	Goodin	D14/151
D. 287,721	1/1987	Perkins	D14/151
D. 290,603	6/1987	Offredi	D14/151
D. 290,837	7/1987	Martinez	D14/141
D. 292,703	11/1987	Tragatschnig	D14/151
D. 293,105	12/1987	Bullock et al.	D14/151
D. 293,571	1/1988	Büchin	D14/151
D. 295,406	4/1988	Dunstall	D14/151
D. 299,342	1/1989	Büchin	D14/241 X



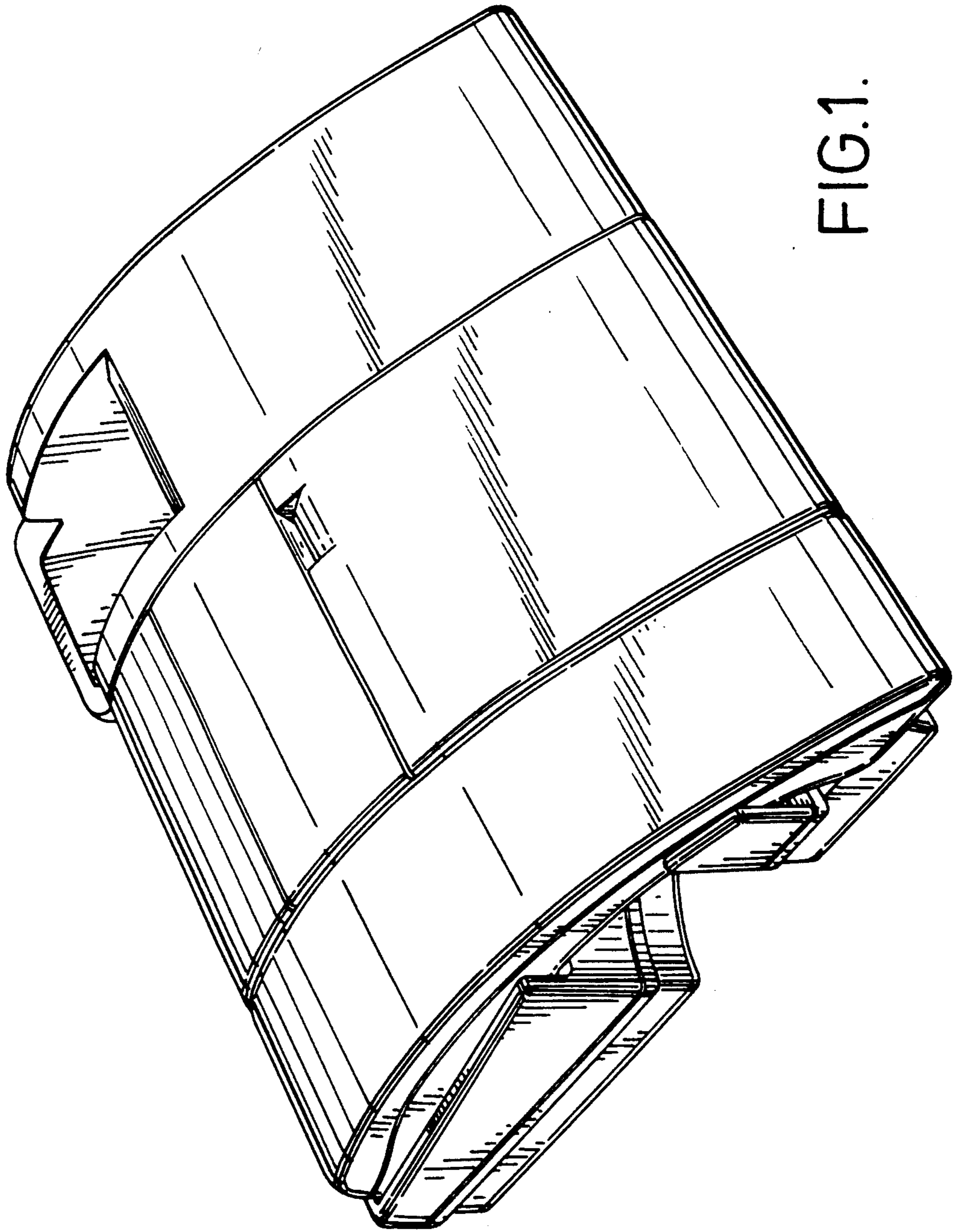


FIG. 1.

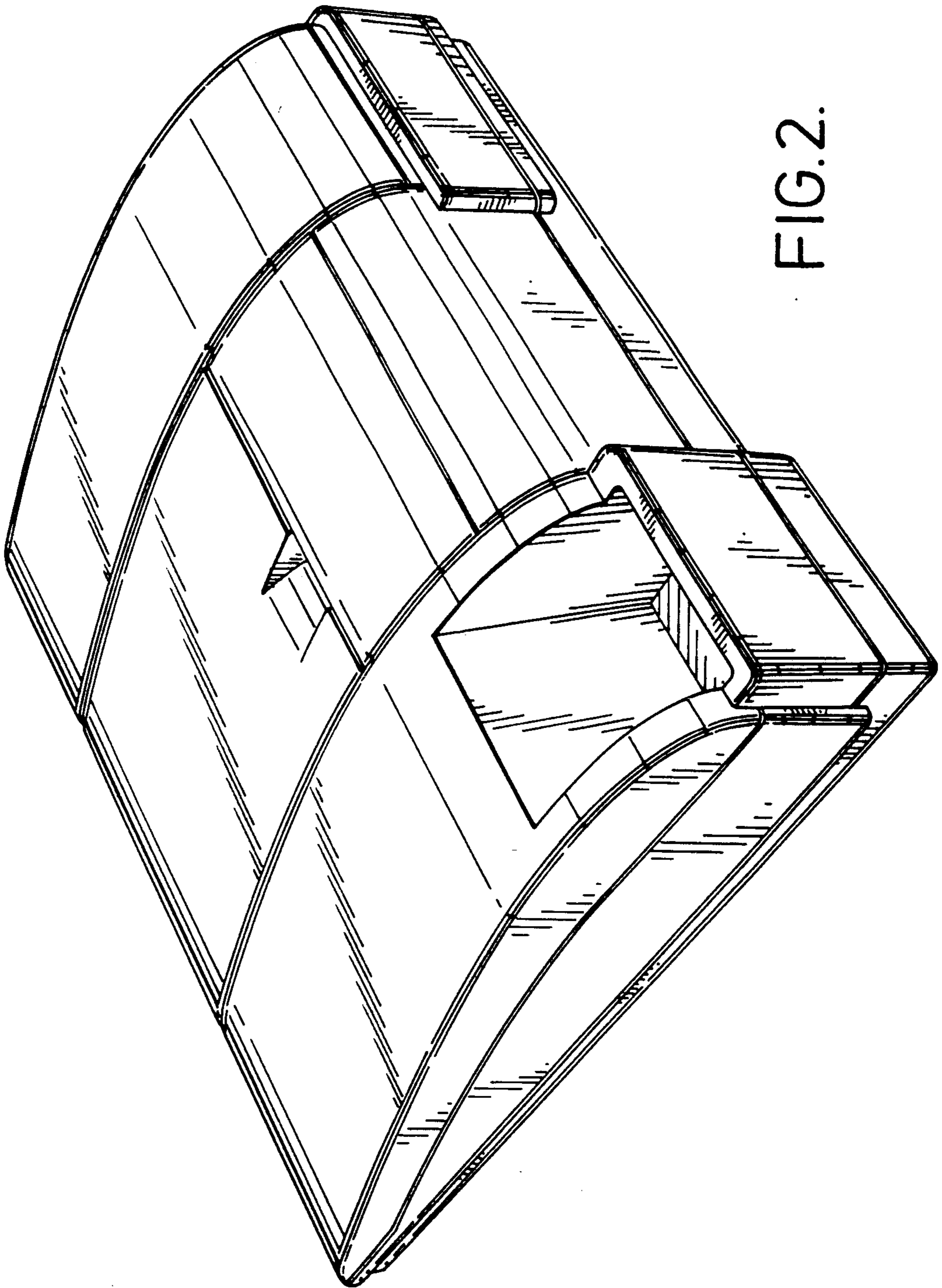


FIG. 2.

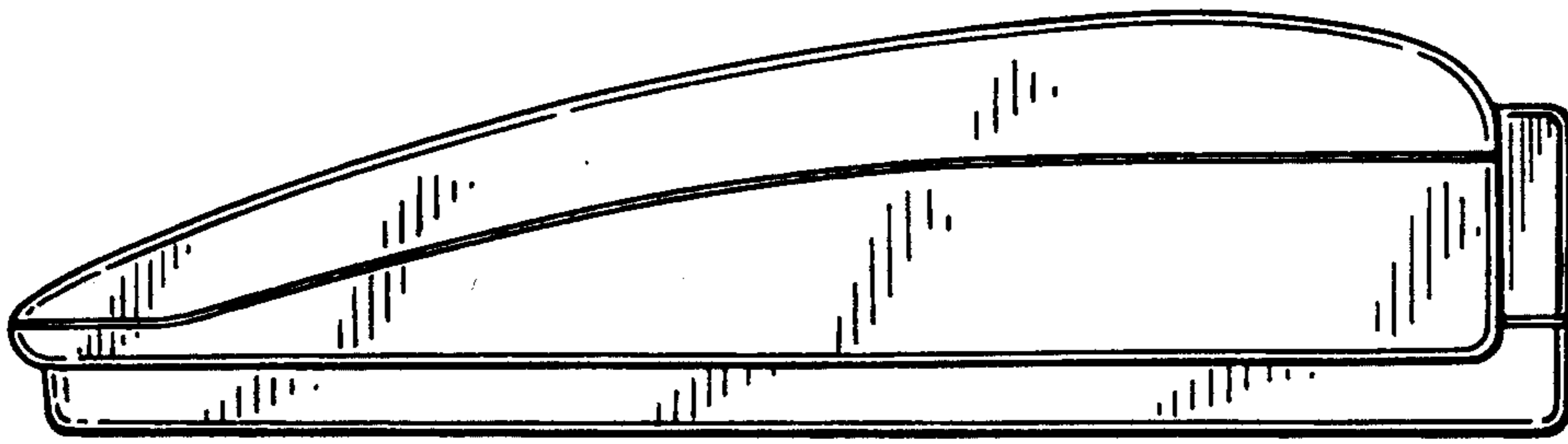


FIG. 3.

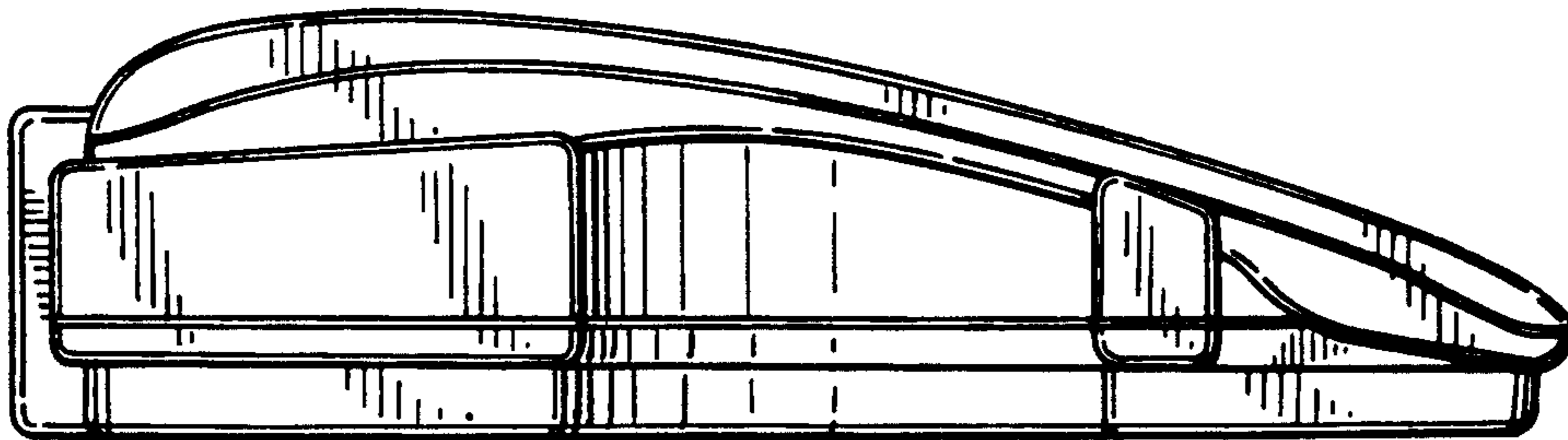


FIG. 4.

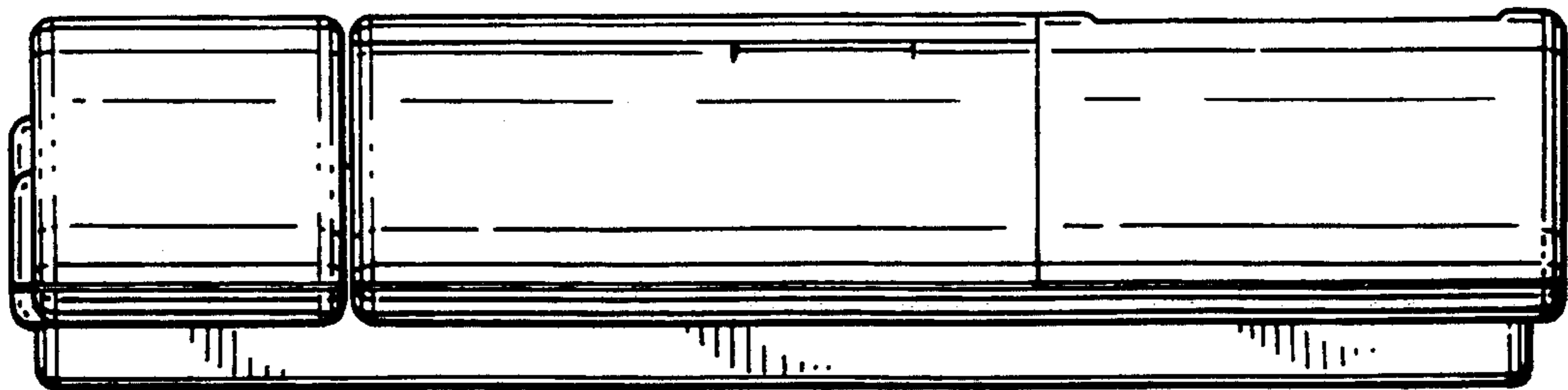


FIG. 5.

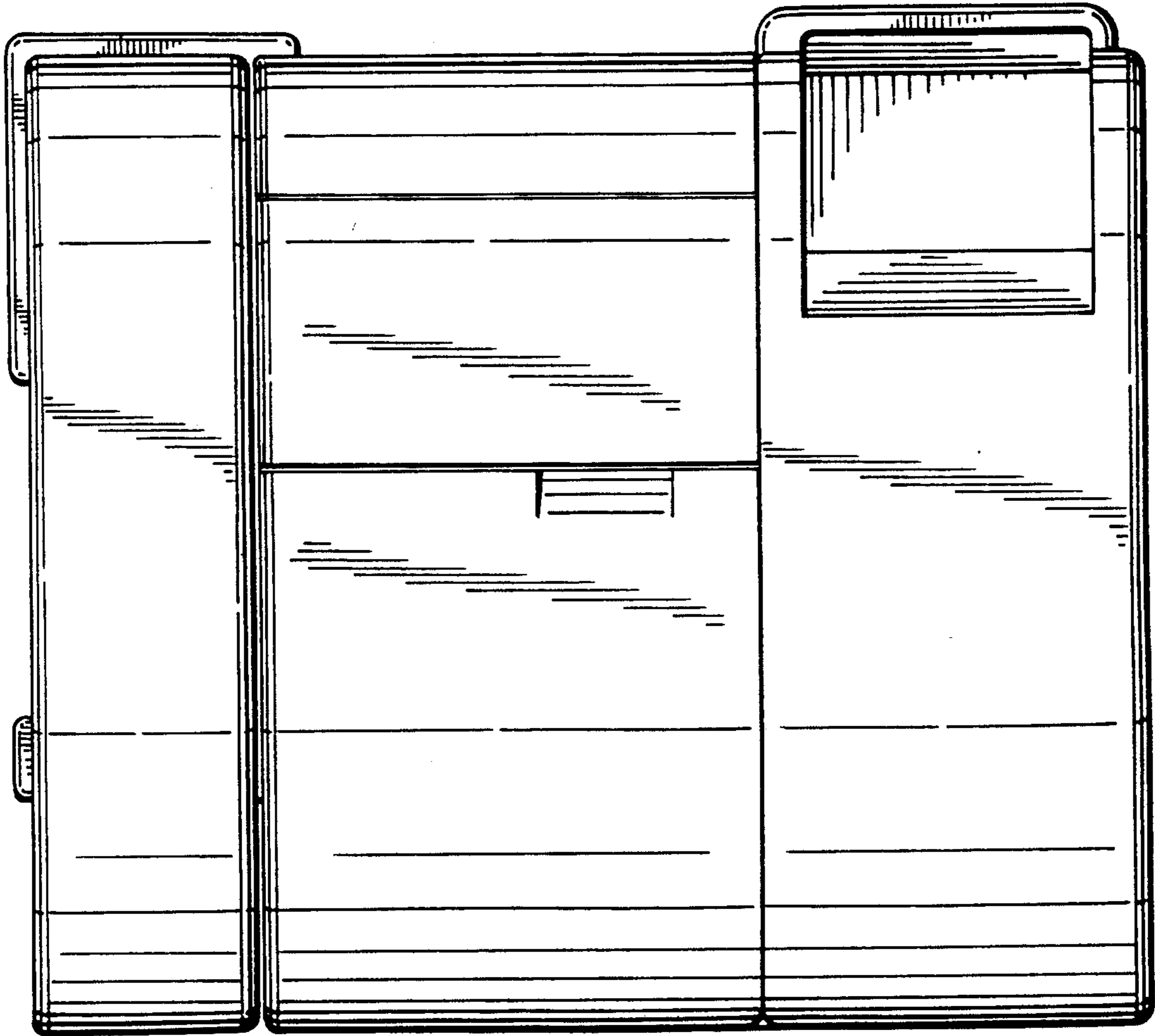


FIG. 6.

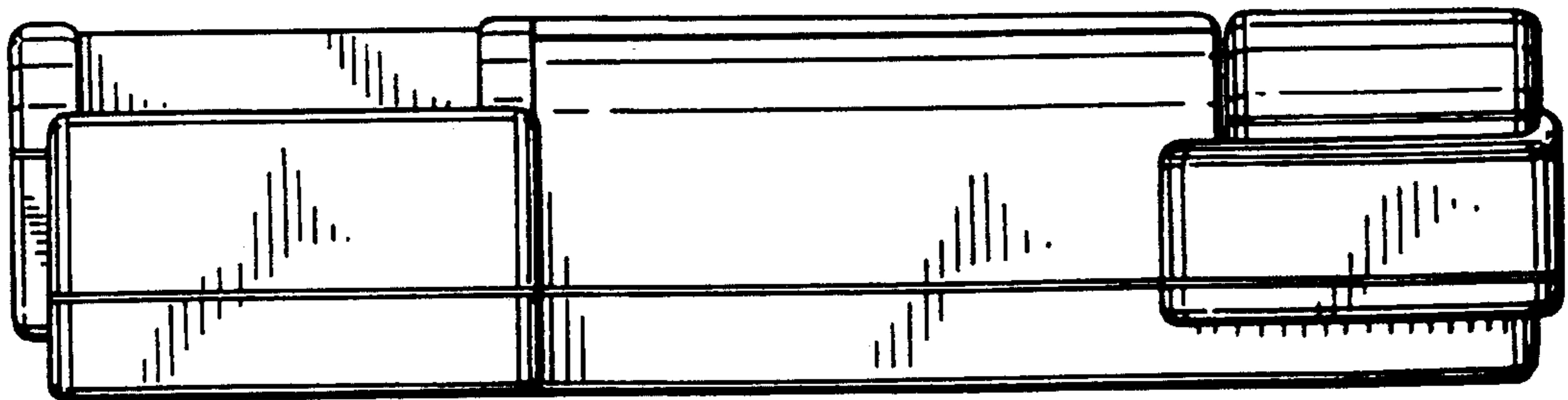


FIG. 7.

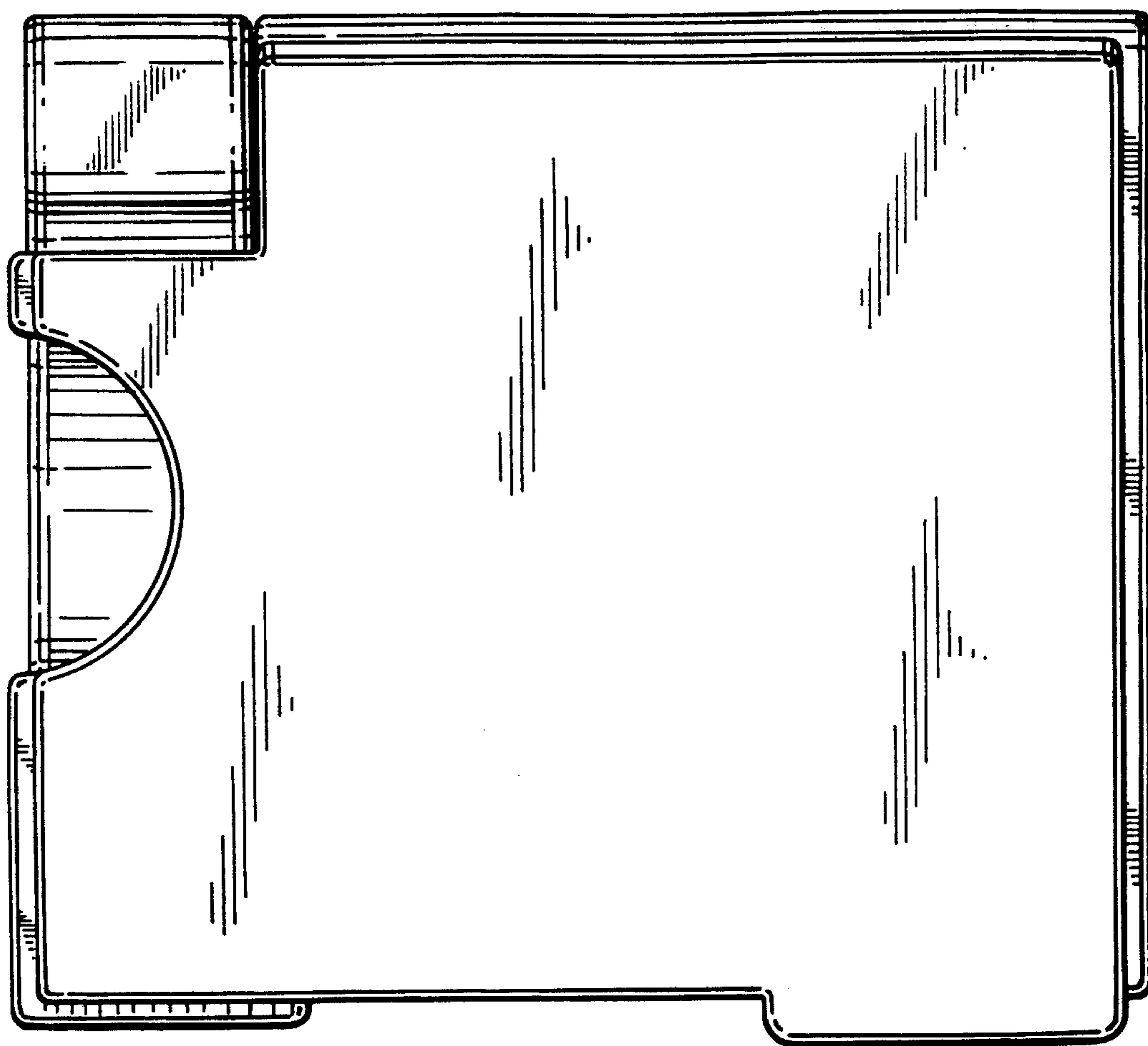


FIG.8.