

[54] INTERRUPTER SWITCH WITH
CIRCUIT-PARAMETER SENSING
FEATURES

[75] Inventors: Bruce A. Biller; Joel A. Ramos, both
of Chicago; Henry W. Scherer, Mt.
Prospect; Roy T. Swanson, North
Riverside, all of Ill.

[73] Assignee: S&C Electric Company, Chicago, Ill.

[**] Term: 14 Years

[21] Appl. No.: 331,571

[22] Filed: Mar. 30, 1989

[52] U.S. Cl. D13/160

[58] Field of Search D13/158, 160, 169, 129-132;
200/48 R, 48 P, 48 A, 48 B, 146 R

[56] References Cited

U.S. PATENT DOCUMENTS

- 3,163,736 12/1964 Mikos et al. 200/146 R X
- 3,627,939 6/1970 Myers 200/48.5 B
- 4,049,936 9/1977 Frink et al. 200/48 R X

4,541,033 9/1985 Saito 200/48 R X

OTHER PUBLICATIONS

G&W Interrupter on p. 12 of *Electrical Systems Design*,
3-88.

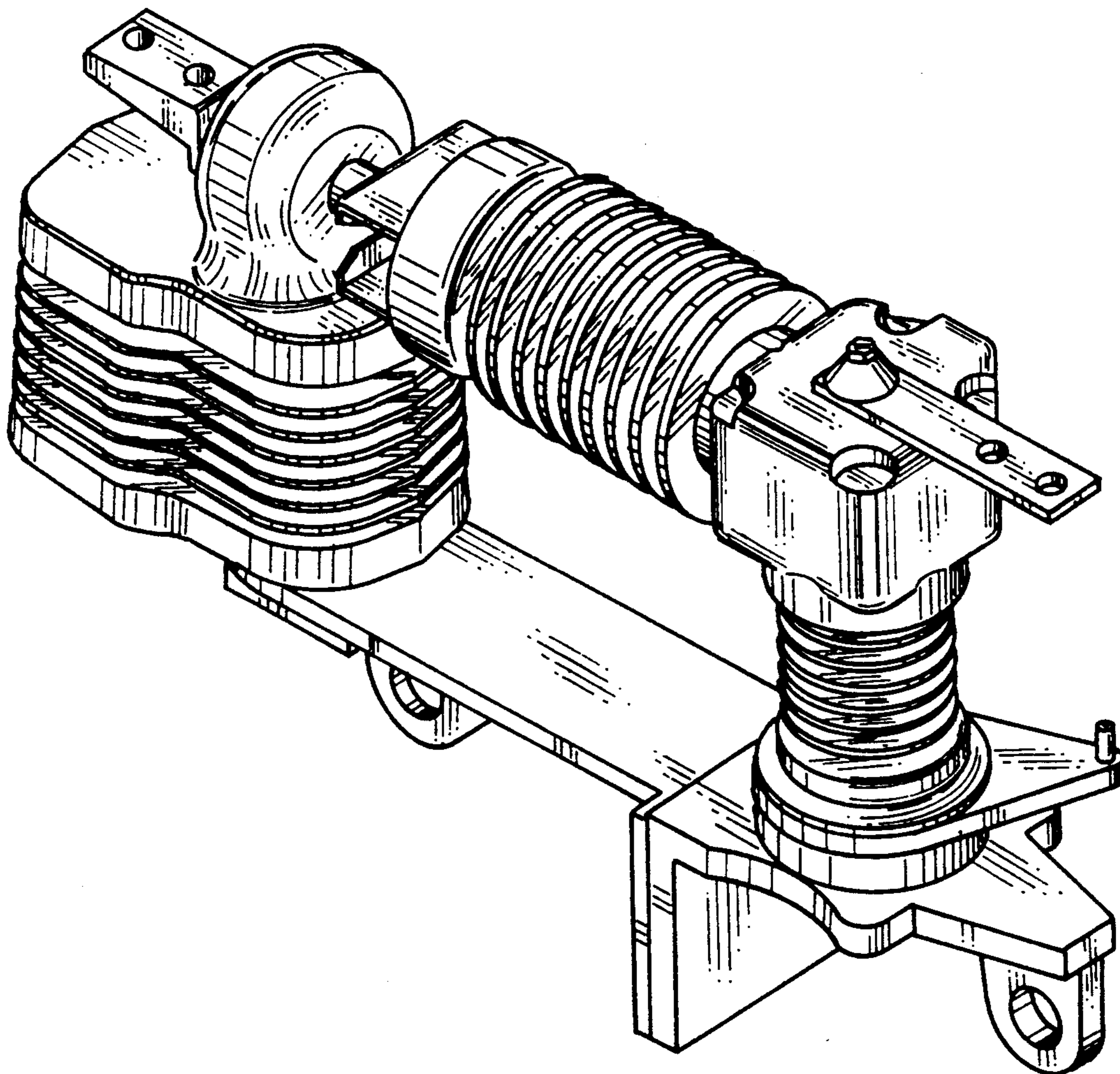
Primary Examiner—Susan J. Lucas
Assistant Examiner—J. Sincavage
Attorney, Agent, or Firm—James V. Lapacek

[57] CLAIM

The ornamental design for an interrupter switch with
circuit-parameter sensing features, as shown and de-
scribed.

DESCRIPTION

- FIG. 1 is a perspective view of an interrupter switch
with circuit-parameter sensing features showing our
new design;
- FIG. 2 is a front elevational view thereof;
- FIG. 3 is a rear elevational view thereof;
- FIG. 4 is a right side elevational view thereof;
- FIG. 5 is a left side elevational view thereof;
- FIG. 6 is a top plan view thereof;
- FIG. 7 is a bottom plan view thereof.



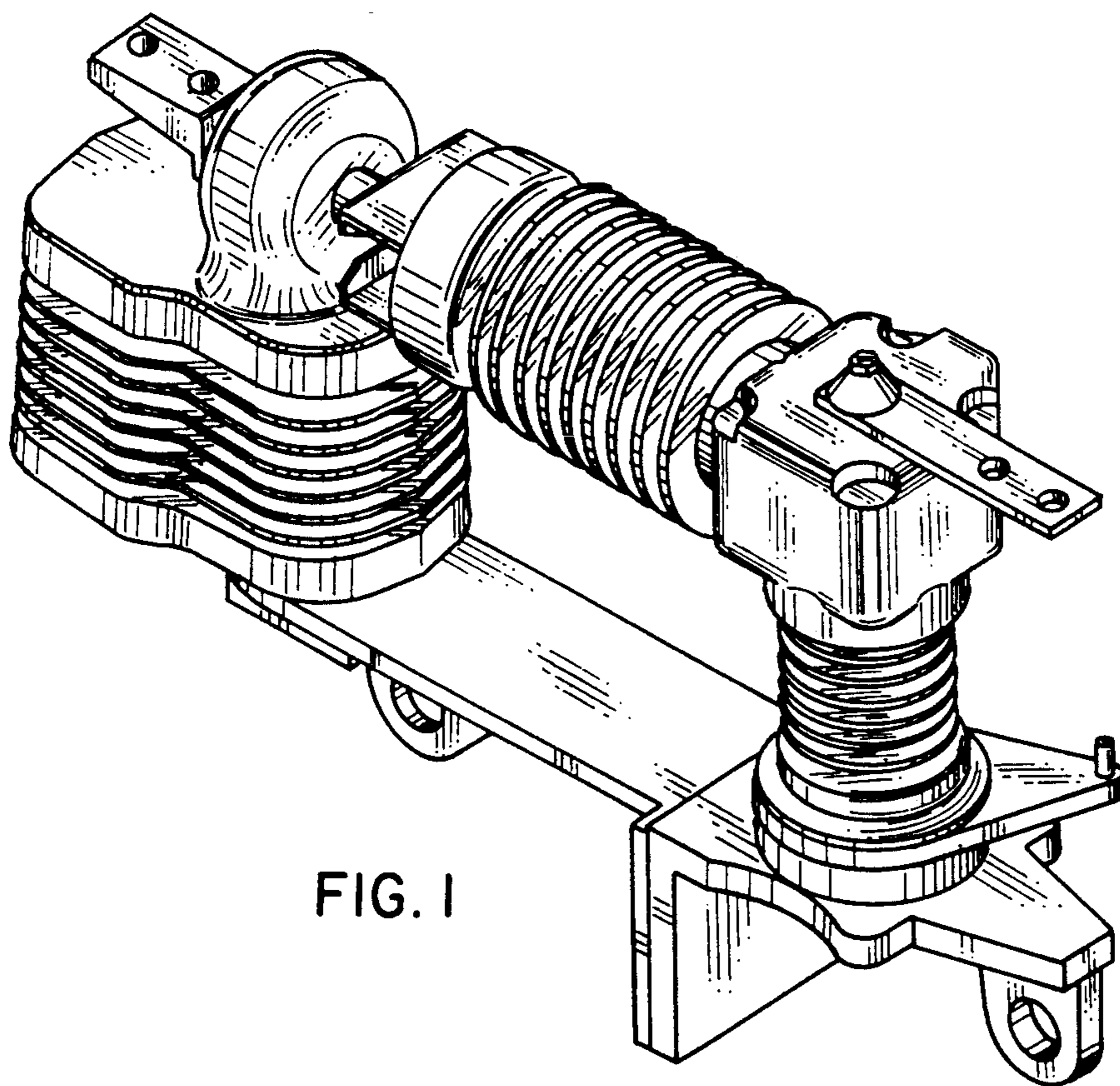


FIG. 1

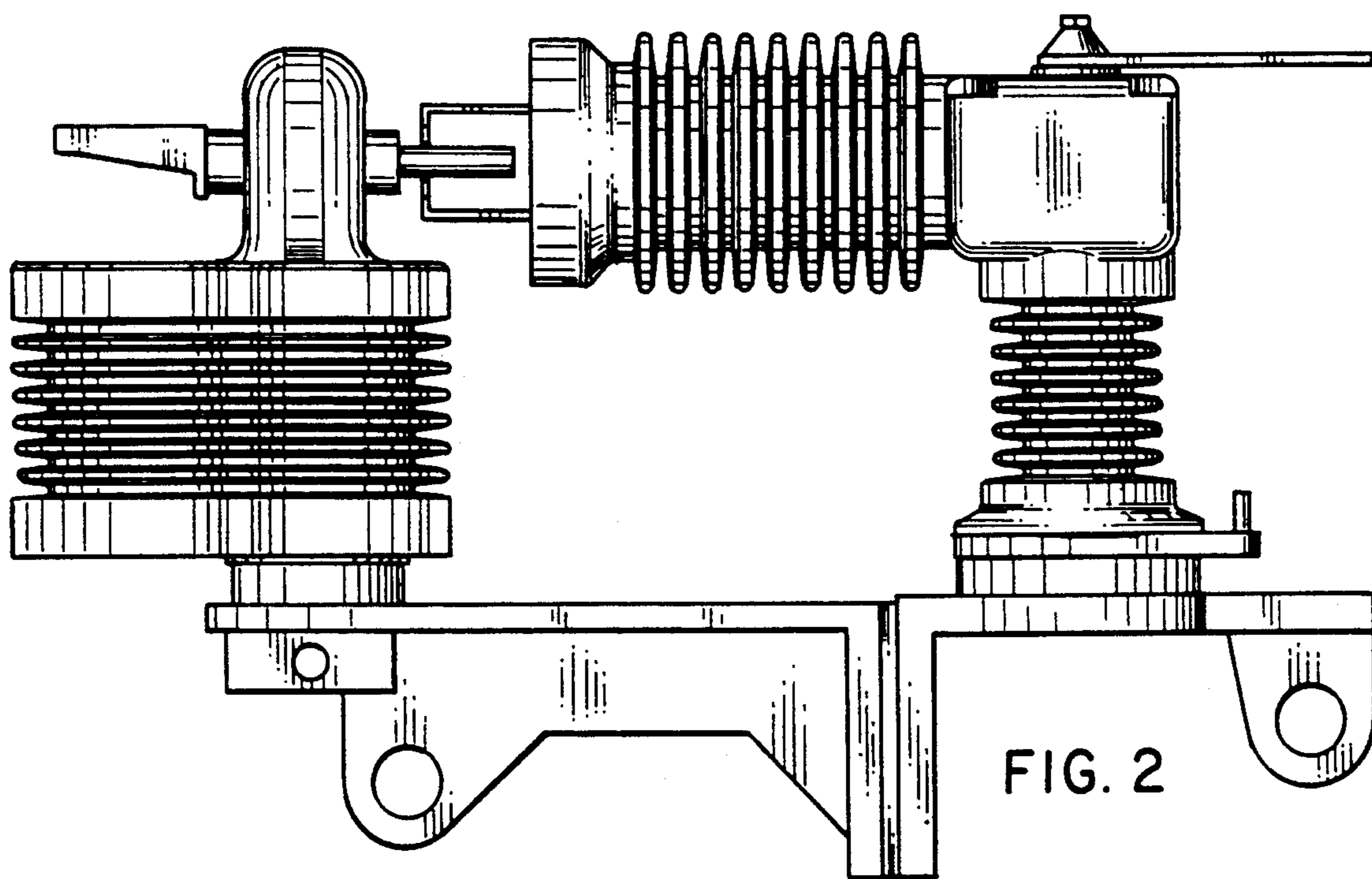
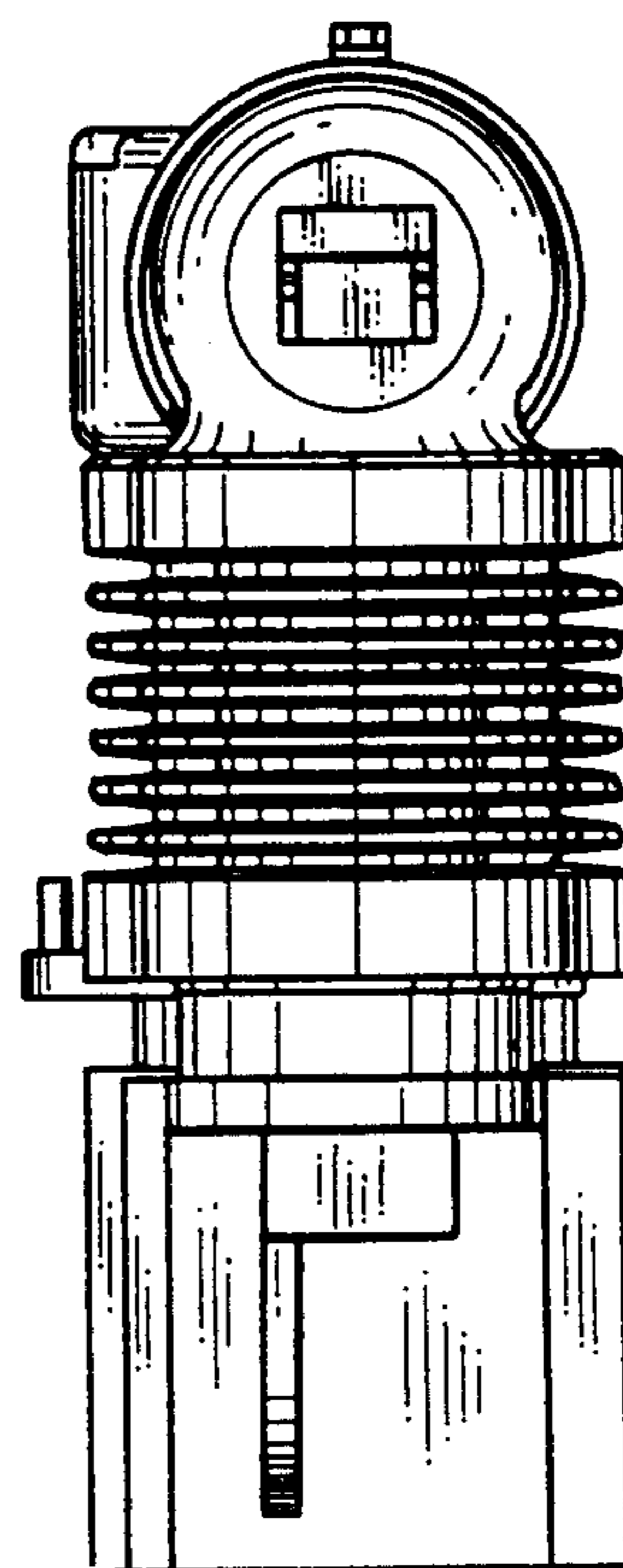
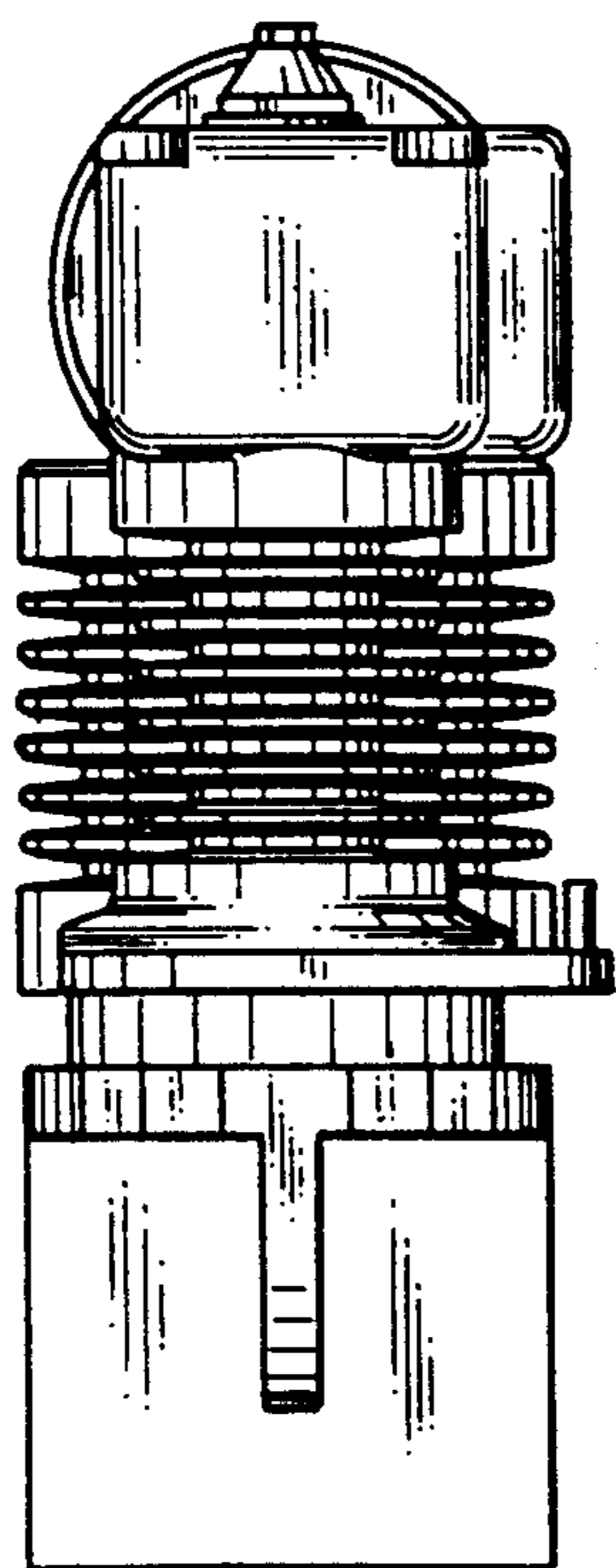
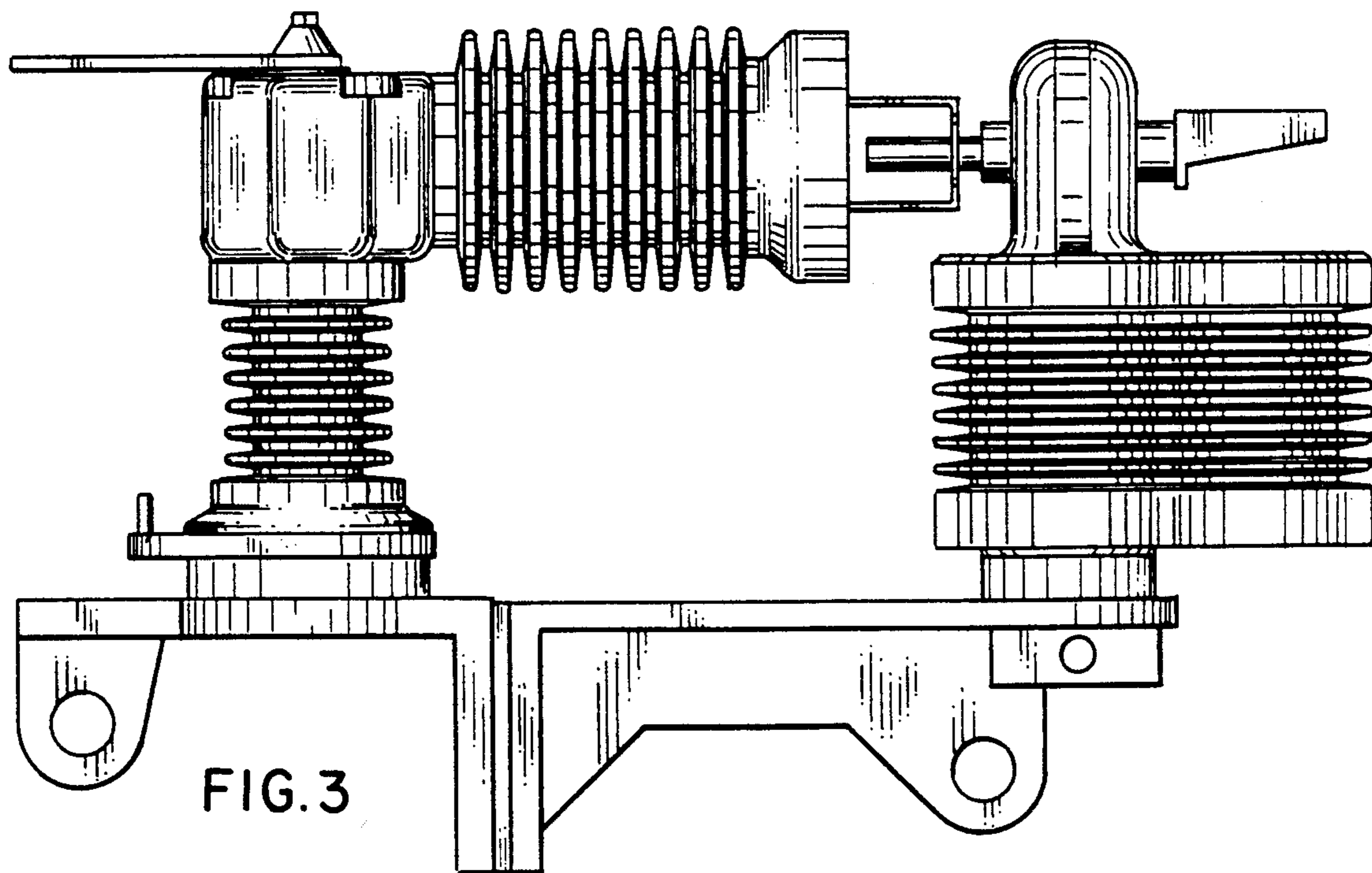


FIG. 2



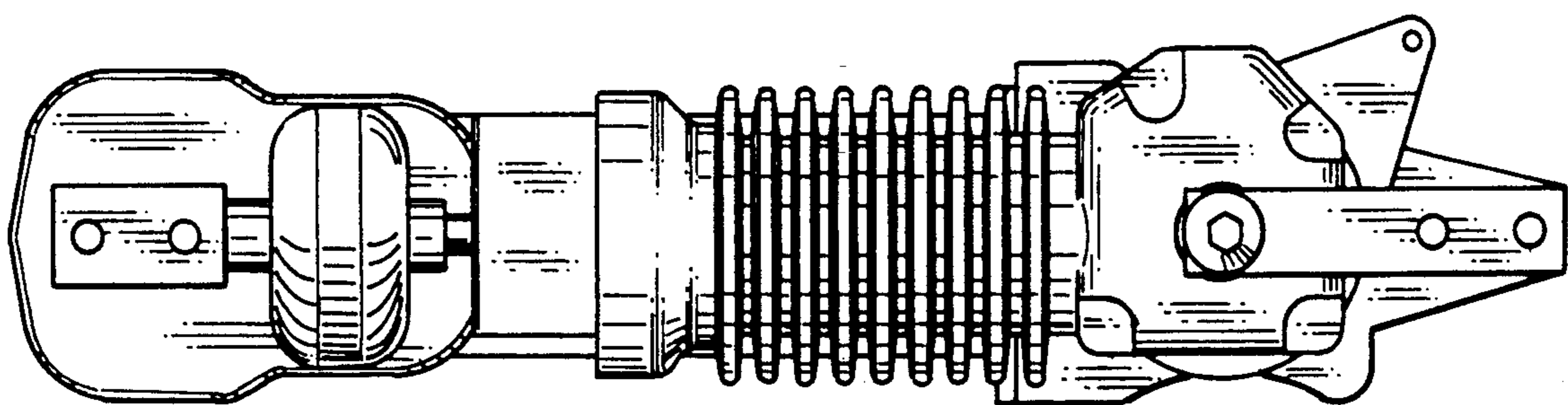


FIG. 6

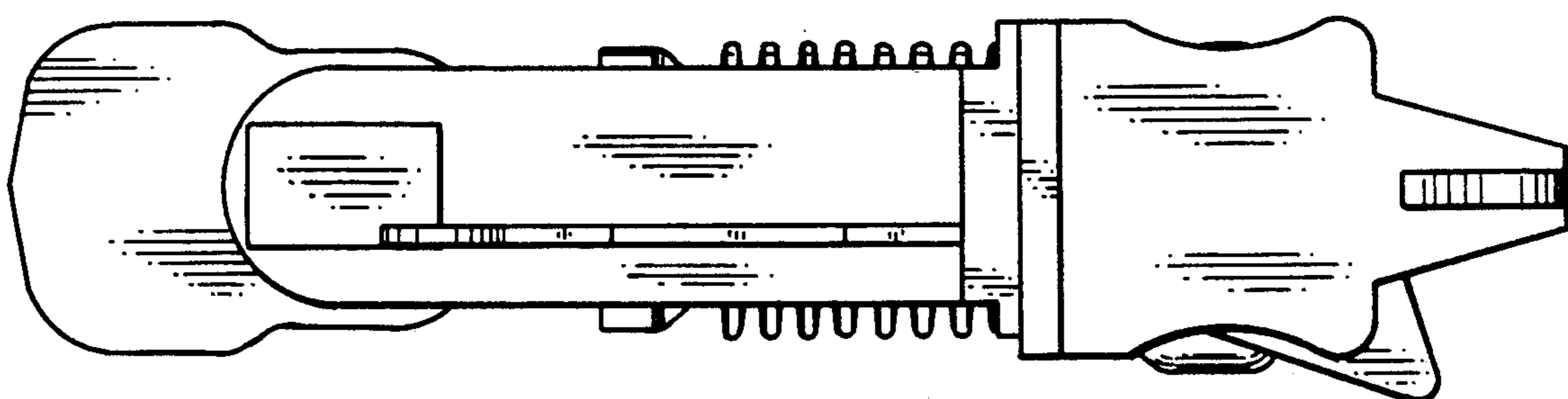


FIG. 7