

[54] GUIDING TROUGH, STRAIGHT REDUCING ADAPTER FOR OPTICAL FIBERS

[76] Inventor: Roy Henneberger, 1596 Clemson Dr., Eagan, Minn. 55122

[**] Term: 14 Years

[21] Appl. No.: 387,707

[22] Filed: Jul. 31, 1989

[52] U.S. Cl. D13/155

[58] Field of Search D13/152, 155; D23/267, D23/200, 393; D30/131; 248/49, 58, 68.1; D34/28; 174/21 JS, 35 C, 48, 68.1, 68.3, 69, 72 A, 84 R, 101; 138/155, 156, 157, 177, DIG. 11; 350/96.16, 96.23, 96.3

[56] References Cited

U.S. PATENT DOCUMENTS

1,132,671 3/1915 Murray D13/155 X
3,485,937 12/1969 Caveney 174/101
4,093,818 6/1978 Thwaites et al. 174/48

FOREIGN PATENT DOCUMENTS

0025687 of 1906 United Kingdom 138/157

OTHER PUBLICATIONS

Ditel UPL-1000/UPT-1000/Corner Cable Guides brochure, ©1986.

Tyton, Product Data Bulletin, The Lightguide System. Panduit Corp., Product Bulletin E-FOA-1, Fiber Optic Cable Accessories.

Primary Examiner—Susan J. Lucas

Assistant Examiner—J. Sincavage

Attorney, Agent, or Firm—Merchant, Gould, Smith, Edell, Welter & Schmidt

[57] CLAIM

The ornamental design for a guiding trough, straight reducing adapter for optical fibers, as shown and described.

DESCRIPTION

FIG. 1 is a top, front and left side perspective view of a guiding trough, straight reducing adapter for optical fibers showing my new design;

FIG. 2 is a rear elevational view thereof;

FIG. 3 is a front elevational view thereof;

FIG. 4 is a top plan view thereof;

FIG. 5 is a bottom plan view thereof;

FIG. 6 is a right side elevational view thereof, the left side elevational view thereof being a mirror image.

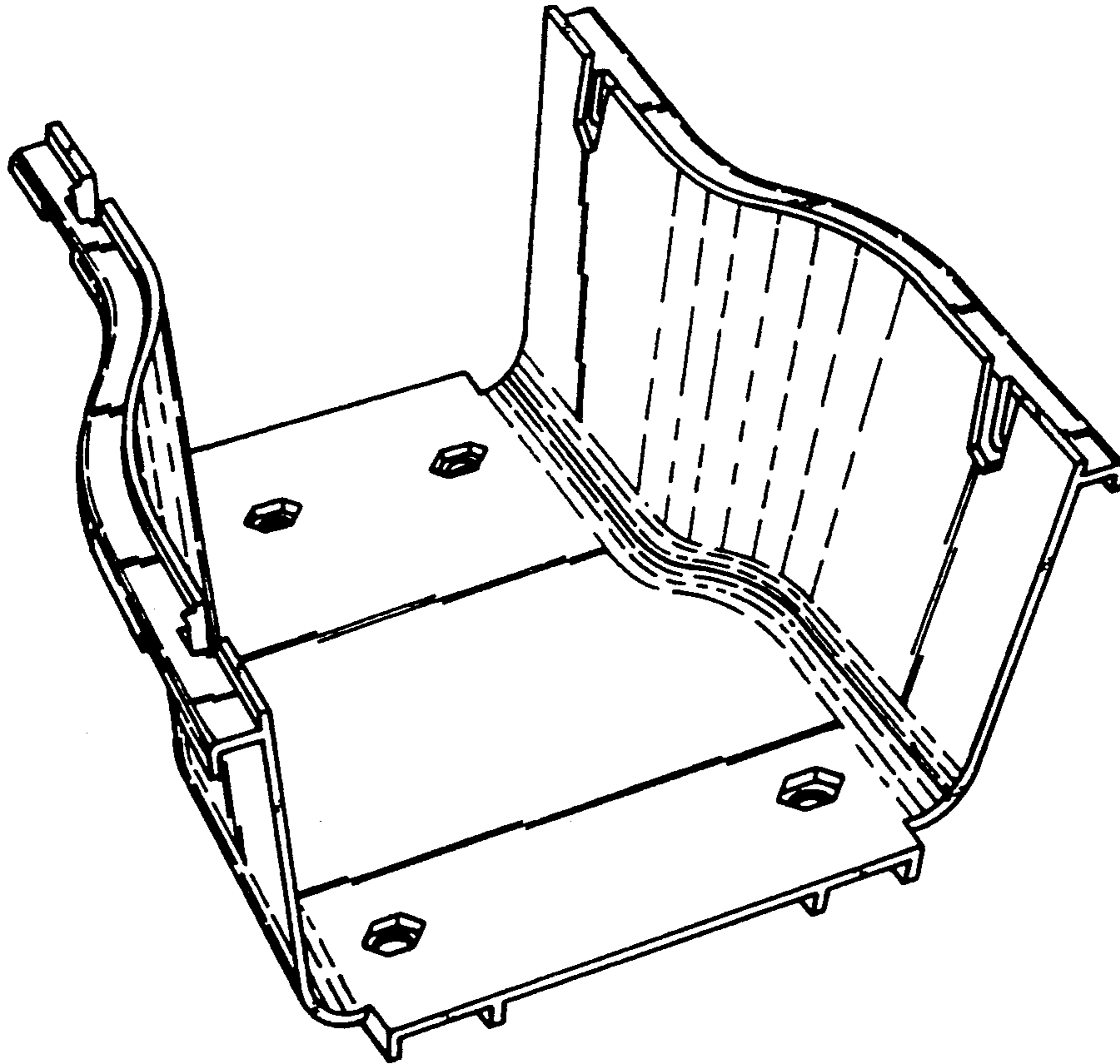


FIG. 1

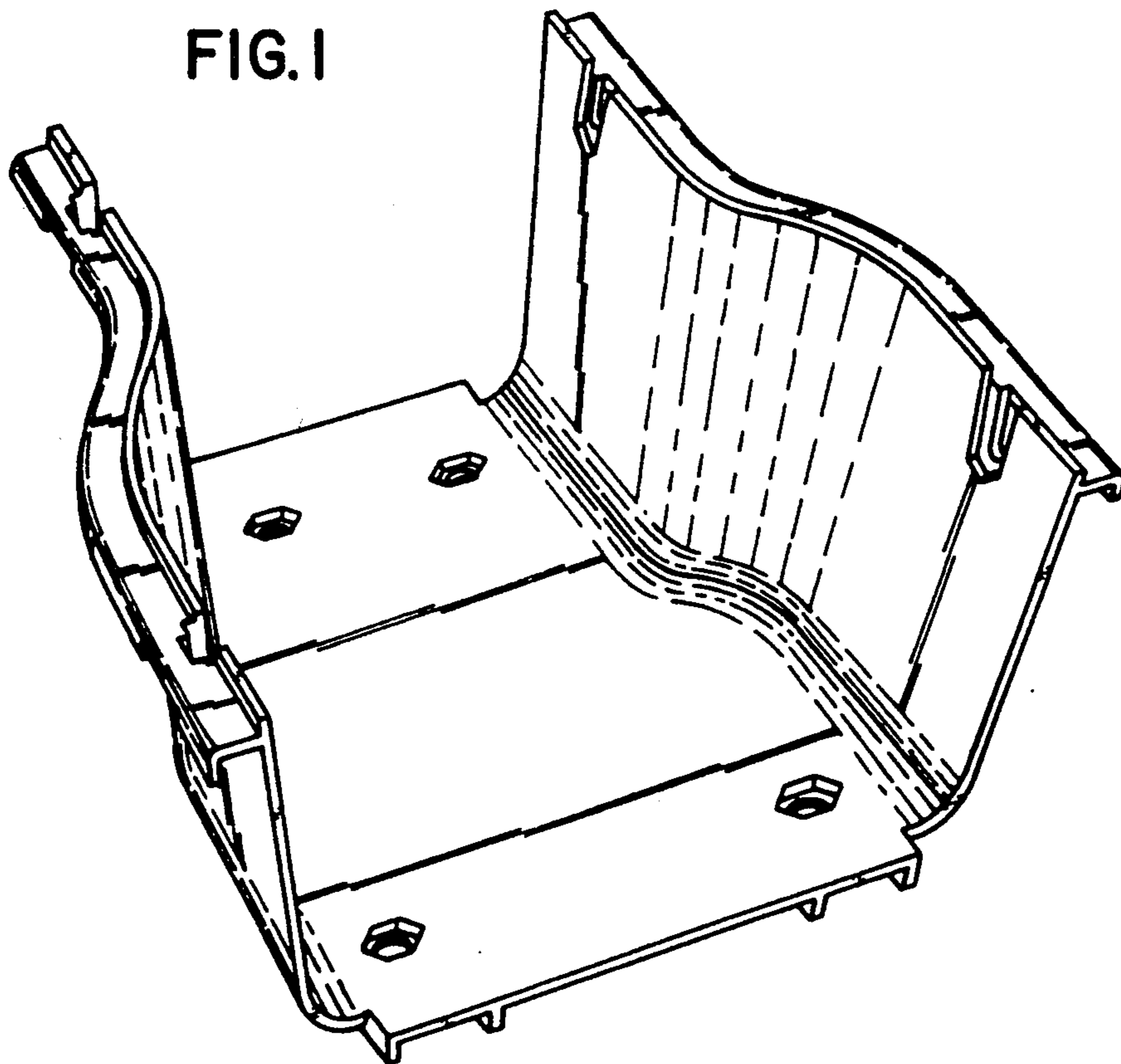


FIG. 2

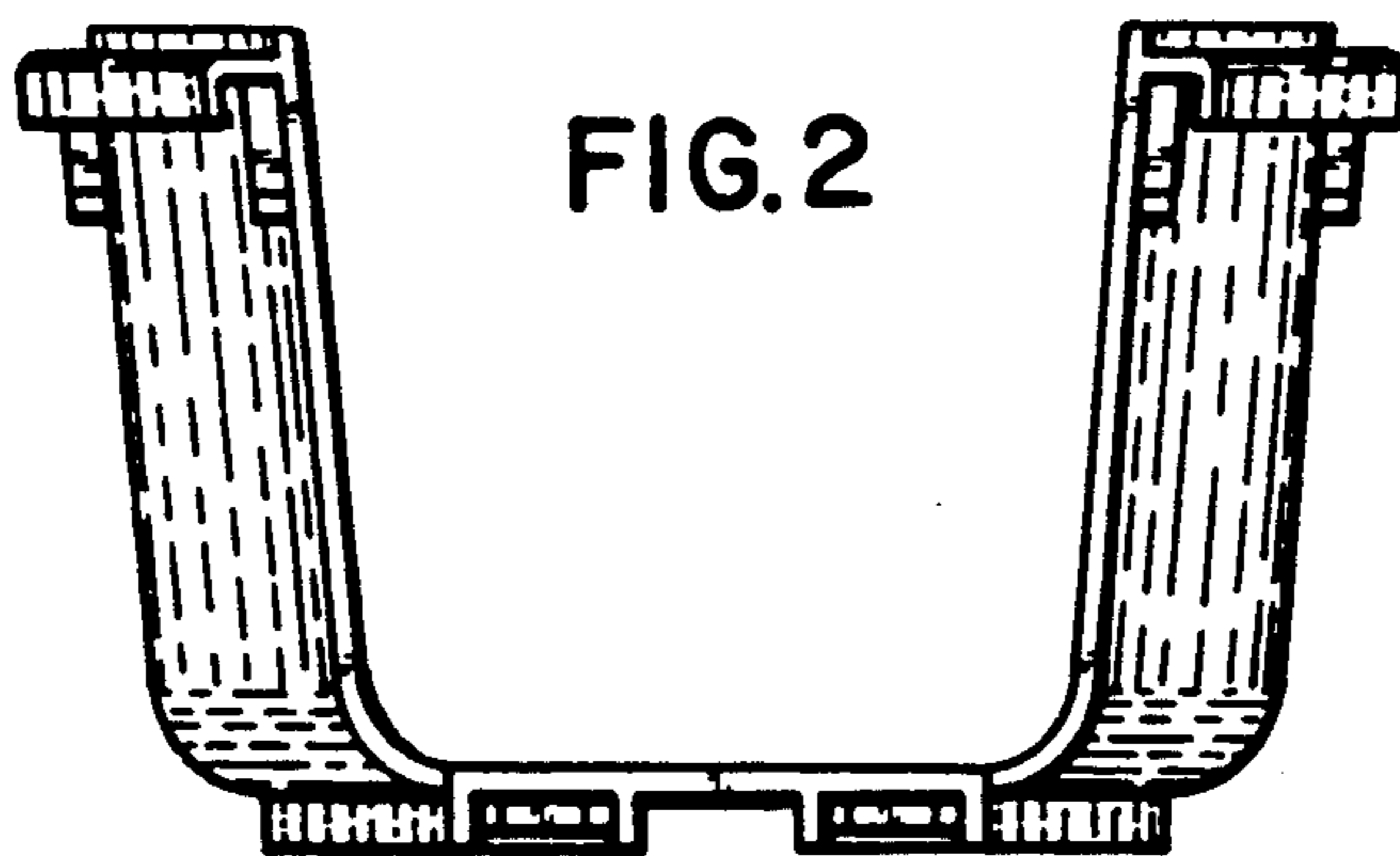


FIG. 3

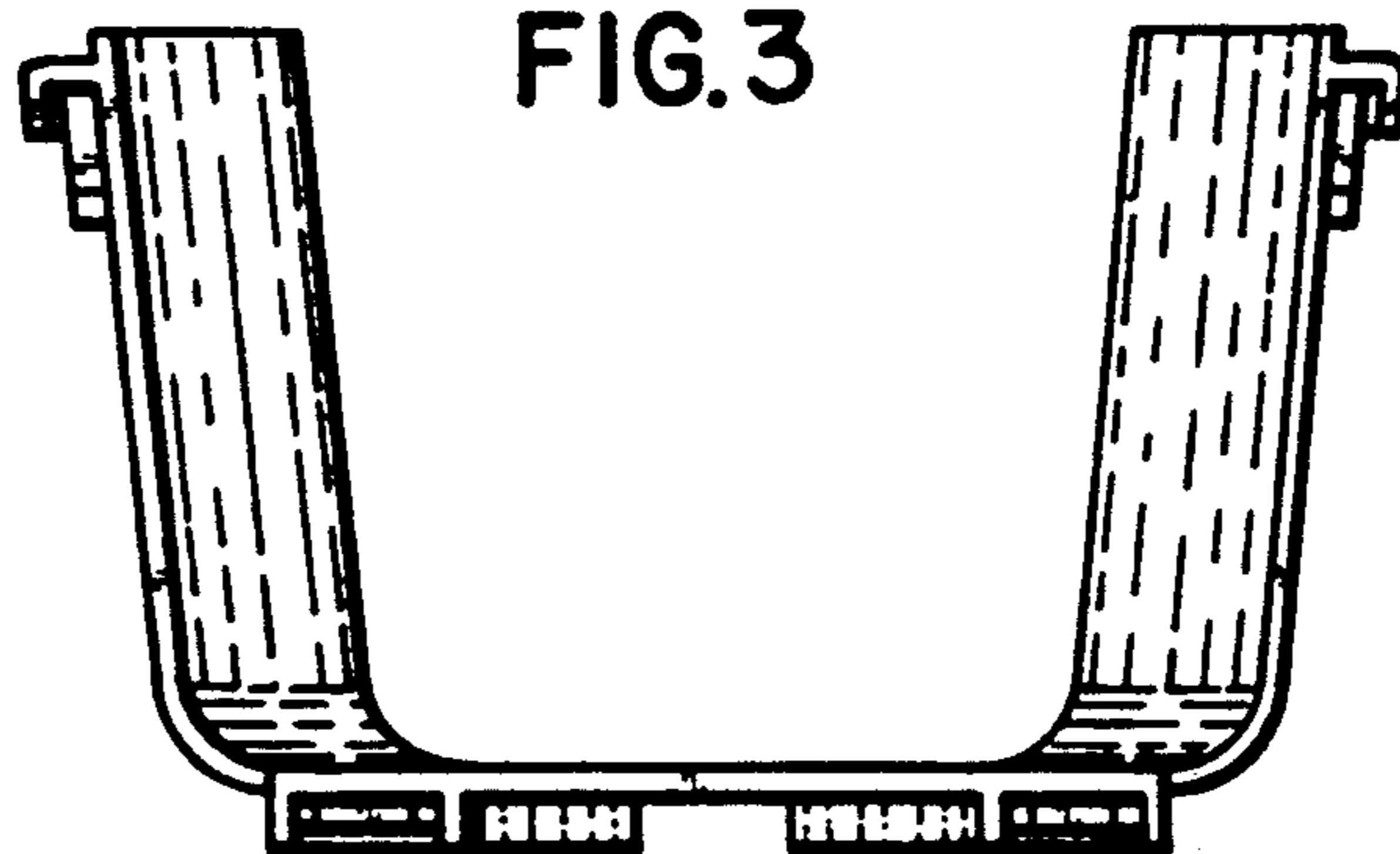


FIG. 4

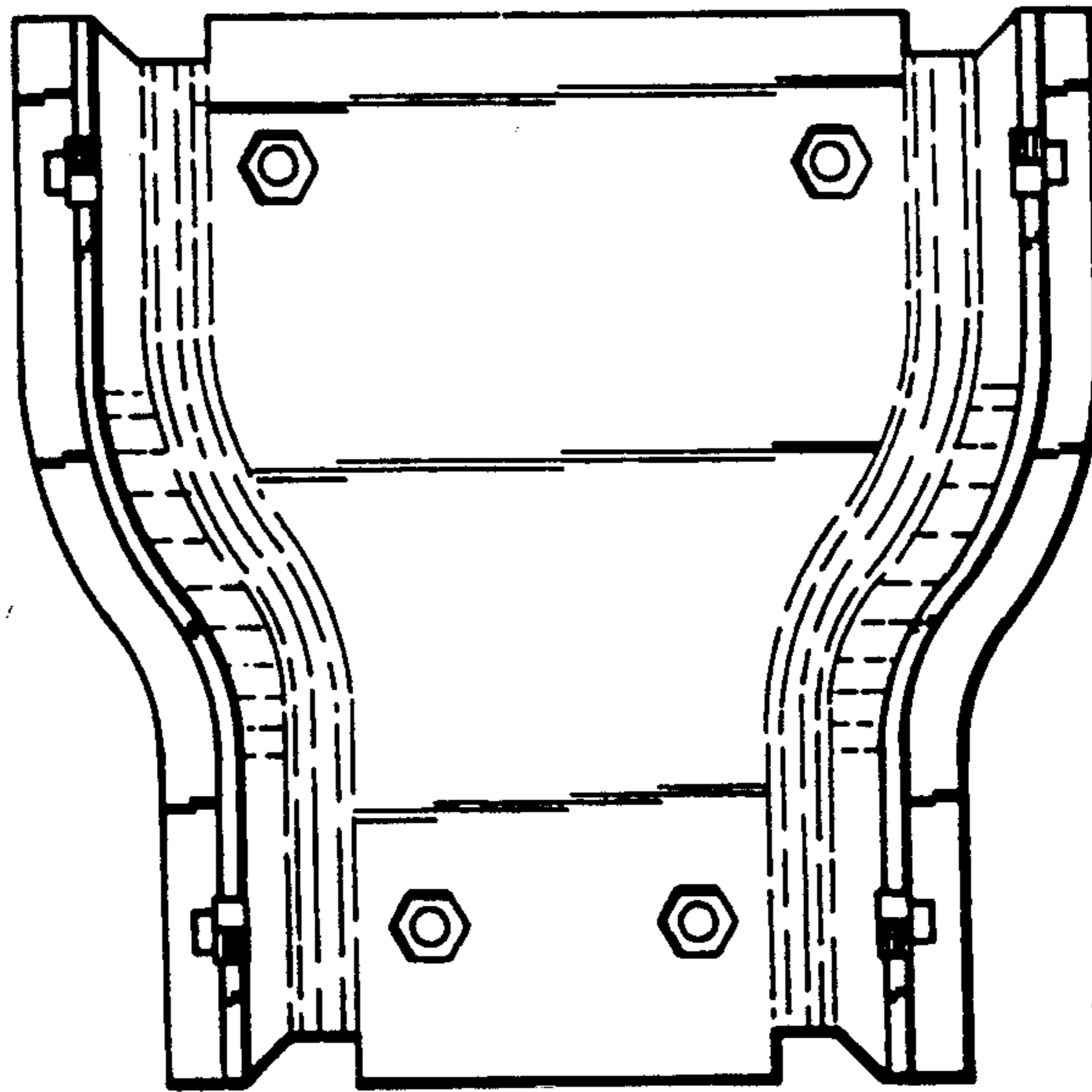


FIG. 5

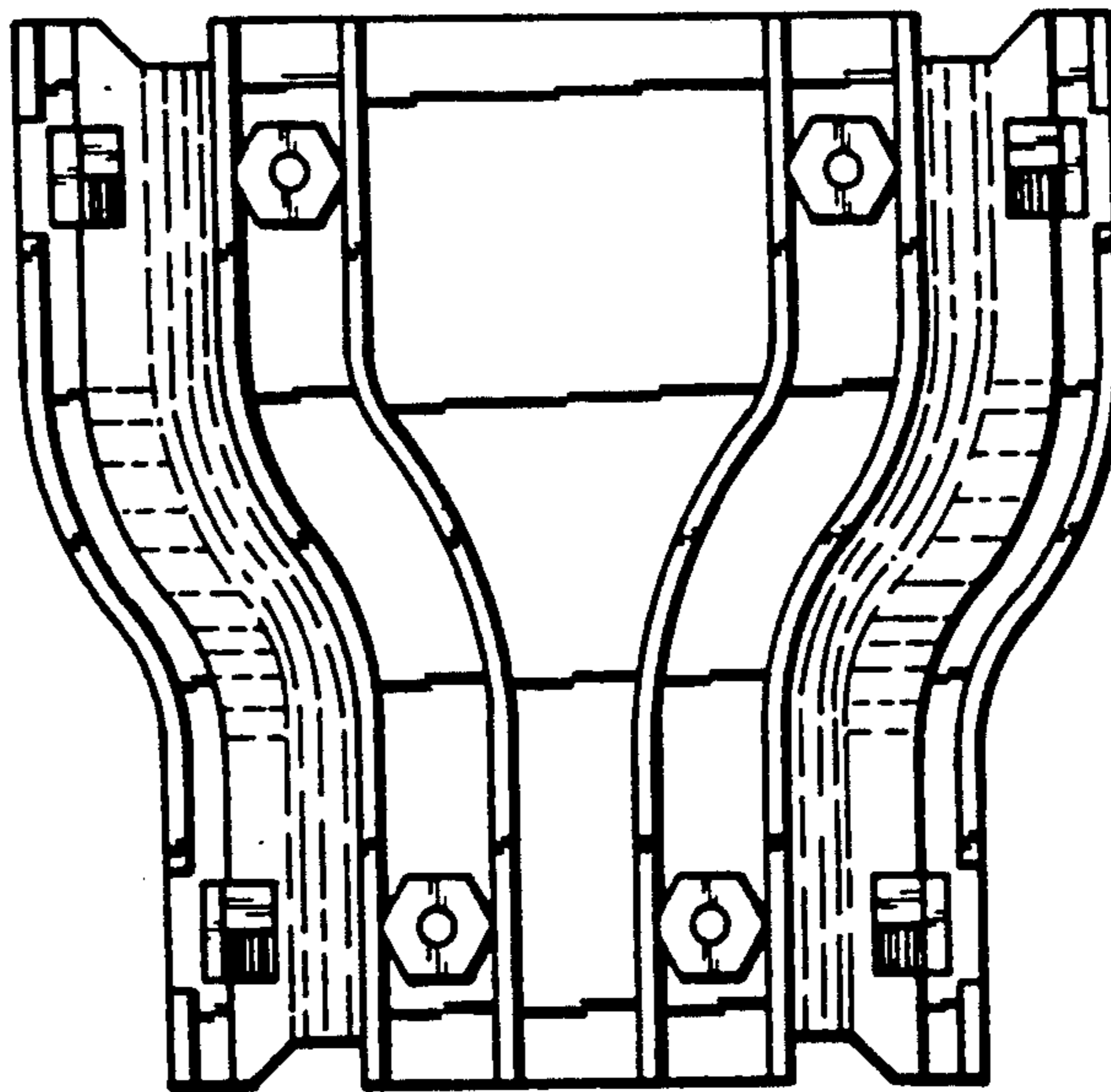


FIG. 6

