

[54] ARTICLE CARRIER FOR A PASSENGER VEHICLE

[75] Inventors: Jon D. Sparham, Pontiac; Alan D. Lusky, Warren; Ralph J. Mandarino, Grosse Pointe Farms; Thomas C. Nanney, Warren, all of Mich.

[73] Assignee: Huron/St. Clair Incorporated, Taylor, Mich.

[**] Term: 14 Years

[21] Appl. No.: 388,222

[22] Filed: Aug. 1, 1989

Related U.S. Application Data

[63] Continuation-in-part of Ser. No. 250,705, Sep. 28, 1988.

[52] U.S. Cl. D12/157

[58] Field of Search D12/157; 224/309, 321, 224/324-327

References Cited

U.S. PATENT DOCUMENTS

D. 306,990 4/1990 Bott D12/157
4,754,905 7/1988 Bott 224/327

4,911,348 3/1990 Rasor et al. 224/325

Primary Examiner—James M. Gandy
Attorney, Agent, or Firm—Leon E. Redman; Malcolm L. Sutherland; Edgar A. Zarins

[57] CLAIM

The ornamental design for an article carrier for a passenger vehicle, as shown and described.

DESCRIPTION

FIG. 1 is a top front perspective view of an article carrier for a passenger vehicle showing our new design it being understood that the broken lines are for illustrative purposes only and form no part of the claimed design;

FIG. 2 is an enlarged front elevation view thereof;

FIG. 3 is an enlarged left side elevation thereof;

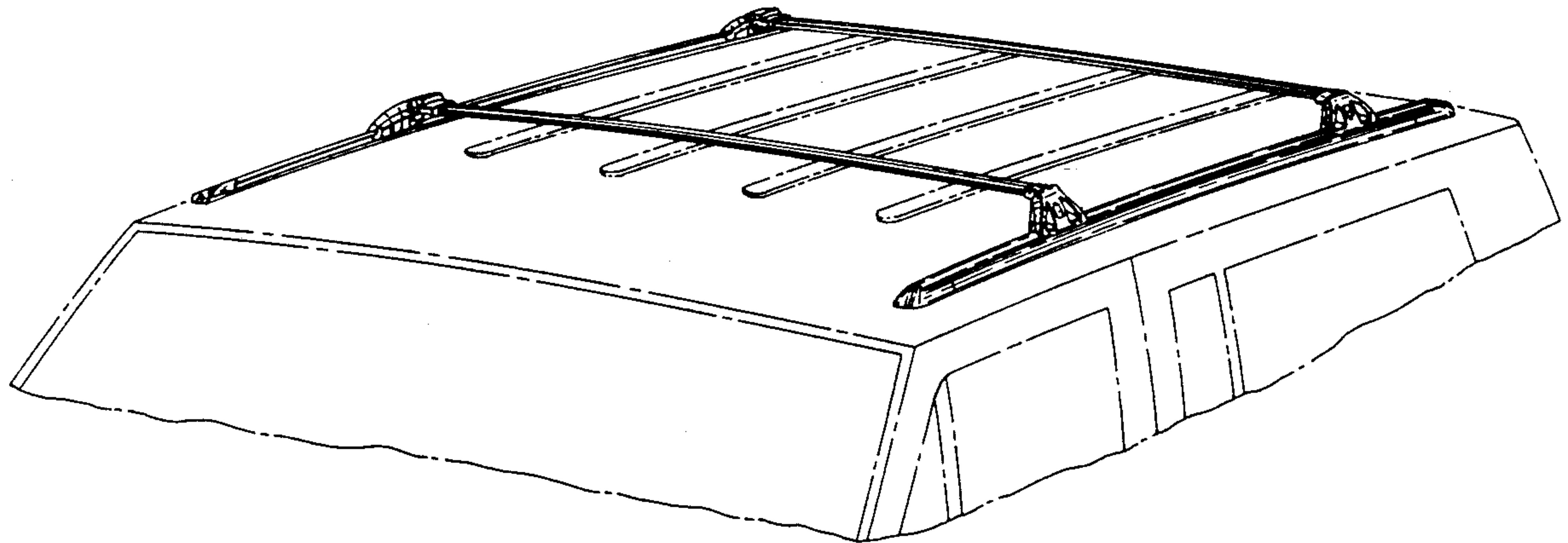
FIG. 4 is an enlarged top plan view thereof;

FIG. 5 is an enlarged fragmentary top plan view of one of the crossbar supports thereof shown in FIG. 4 it being understood that all four crossbar supports are identical;

FIG. 6 is an enlarged fragmentary cross-section view taken along lines 6—6 of FIG. 3;

FIG. 7 is a right side elevation view of FIG. 5; and

FIG. 8 is a left side elevation view of FIG. 5.



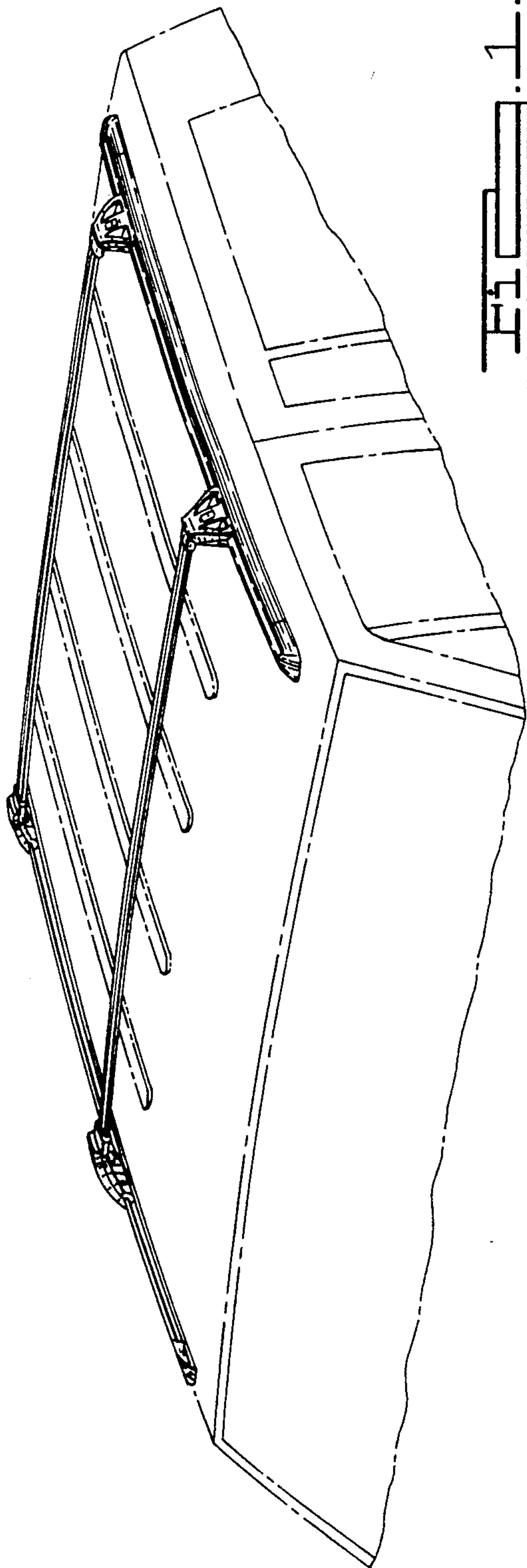


FIG. 1.



FIG. 2.

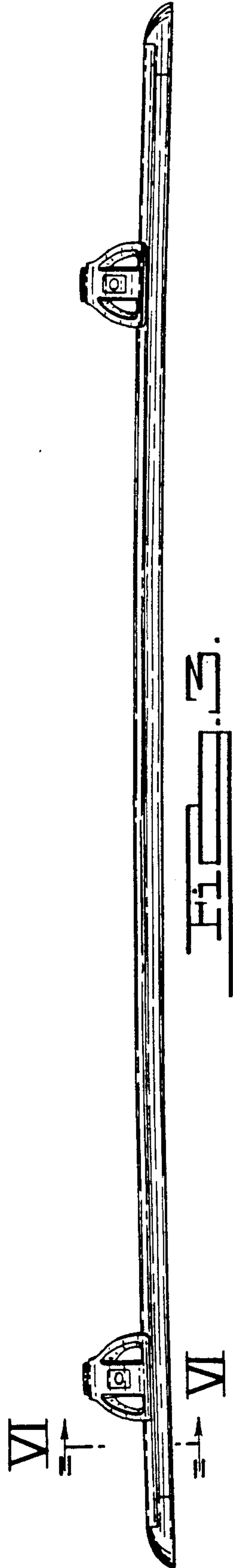


FIG. 3.

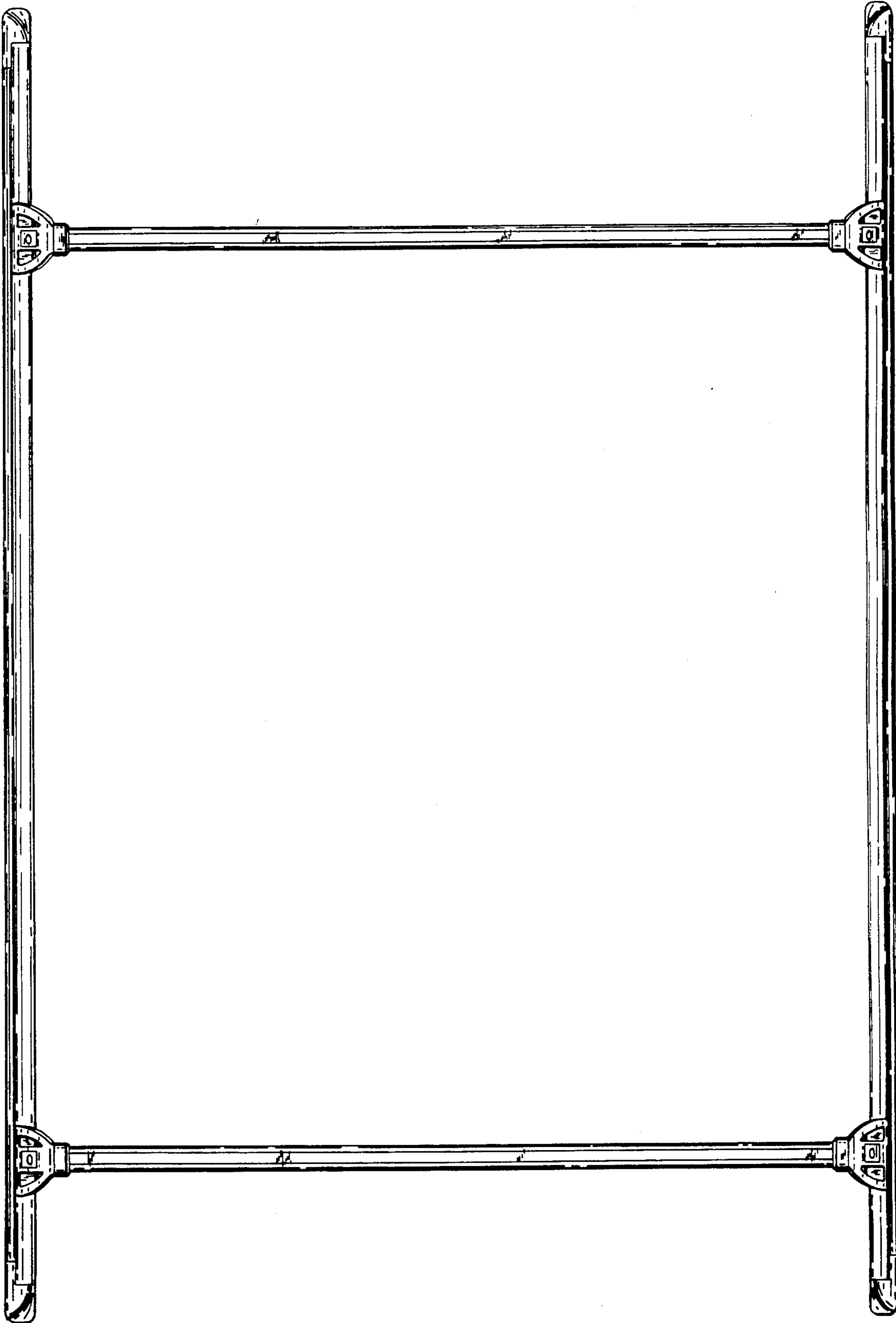


FIG. 4.

