

[54] TIRE TREAD AND BUTTRESS

4,848,429 7/1989 Mezzanotte 152/209 A

[75] Inventors: Paul B. Maxwell, Akron; Philip S. Hammond, Mogadore; Darrell E. Covert, Uniontown, all of Ohio

FOREIGN PATENT DOCUMENTS

0338491 10/1989 European Pat. Off. .
2263455 7/1974 Fed. Rep. of Germany .

[73] Assignee: The Goodyear Tire & Rubber Company, Akron, Ohio

OTHER PUBLICATIONS

Advertisement for Pirelli P500, Tire Review, Sep. 1989. "Focus on Europe, The Stuart Marshall Report, Aladdin's Cave in Tokyo", Modern Tire Dealer, Feb. 1988, p. 46.

[**] Term: 14 Years

Primary Examiner—James M. Gandy
Attorney, Agent, or Firm—T. P. Lewandowski; L. R. Drayer

[21] Appl. No.: 437,880

[22] Filed: Nov. 17, 1989

[52] U.S. Cl. D12/147

[58] Field of Search D12/145-151,
D12/136, 140; 152/209 R, 209 A, 209 B, 209 D

[57] CLAIM

The ornamental design for a tire tread and buttress, as shown and described.

[56] References Cited

U.S. PATENT DOCUMENTS

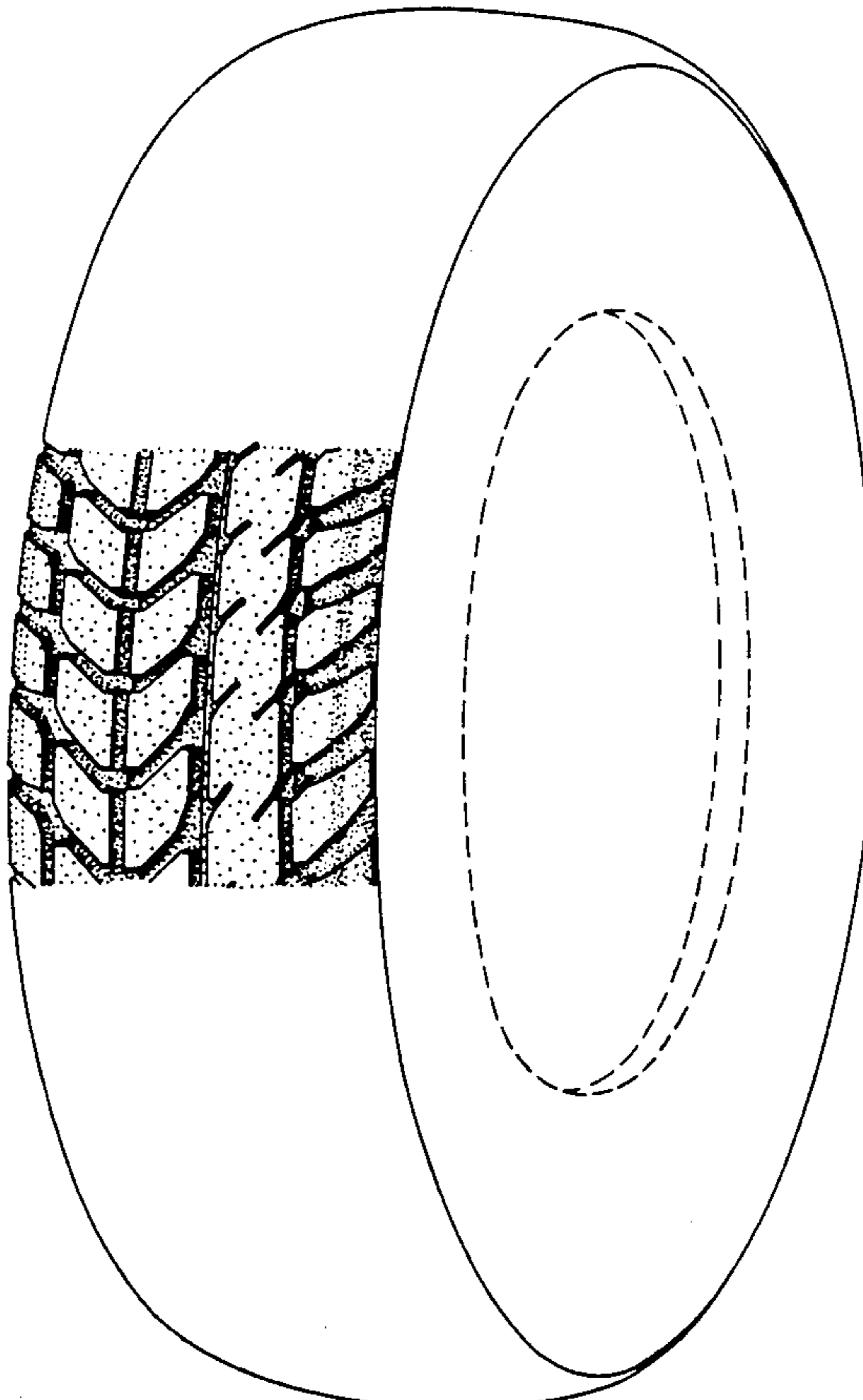
2,534,869	12/1950	Jones	152/209 A
2,960,093	6/1958	Messamotte	D12/146
3,155,135	11/1964	Klenk	152/209 R
3,162,229	12/1964	Ellemeider et al.	152/209 A
3,286,756	11/1966	Ellemeider et al.	152/209 A
3,405,753	10/1968	Verdier	152/209 R
3,705,613	12/1972	Verdier	152/209 R
3,861,436	1/1975	Pogue	152/209 R
4,429,728	2/1984	Ippen	152/209 A
4,635,694	1/1987	Hasokawa	152/209 A
4,732,194	3/1988	Saneto et al.	152/209 R
4,758,863	11/1988	Tsuda et al.	152/209 A

DESCRIPTION

FIG. 1 is a perspective view of a tire tread and buttress showing our new design, it being understood that the pattern is repeated uniformly throughout the circumference of the tread and buttress as shown schematically by solid lines;

FIG. 2 is a fragmentary front elevation view thereof; FIG. 3 is a fragmentary elevation view of one side thereof; and

FIG. 4 is a fragmentary elevation view of the opposite side thereof.



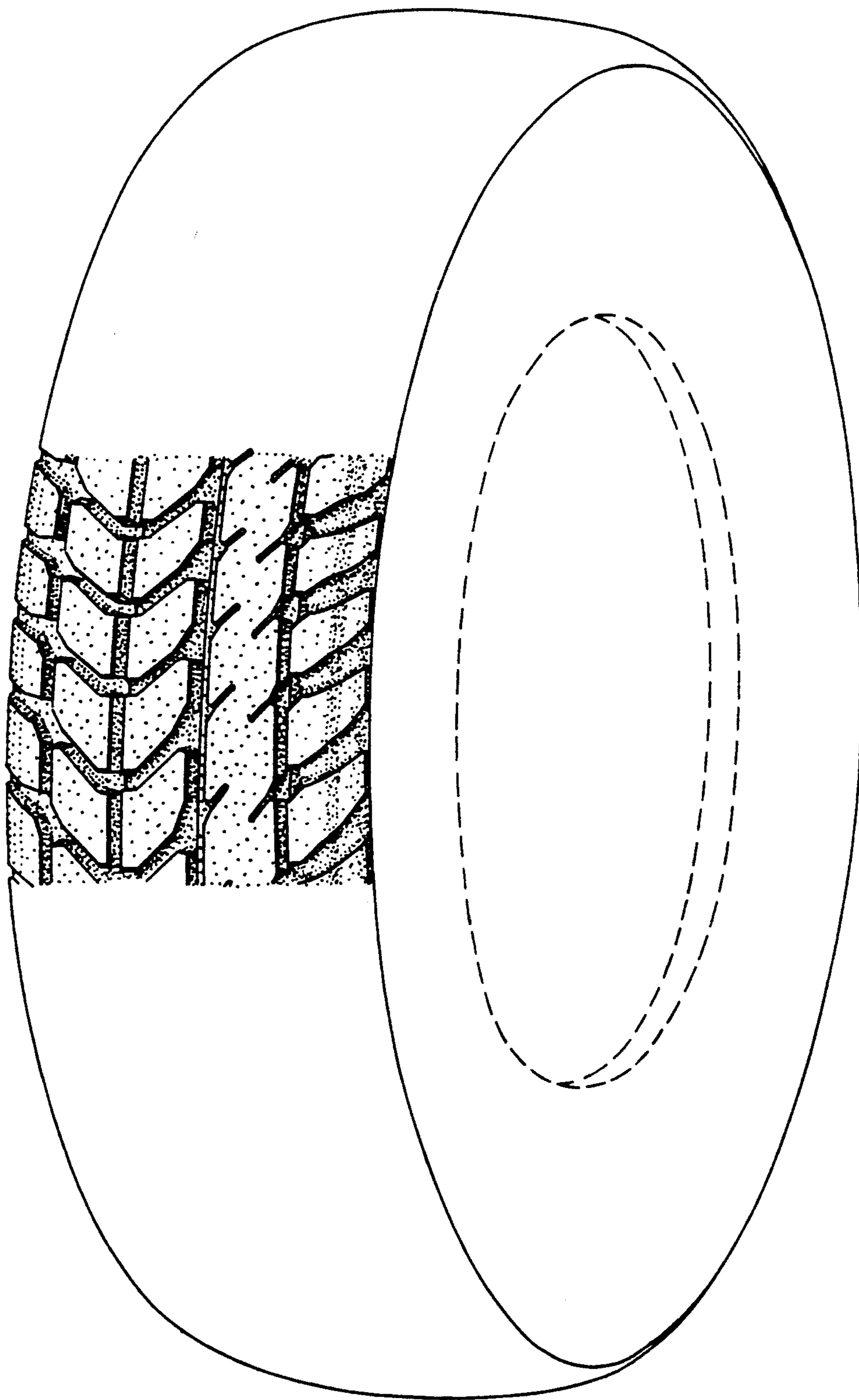


FIG. 1

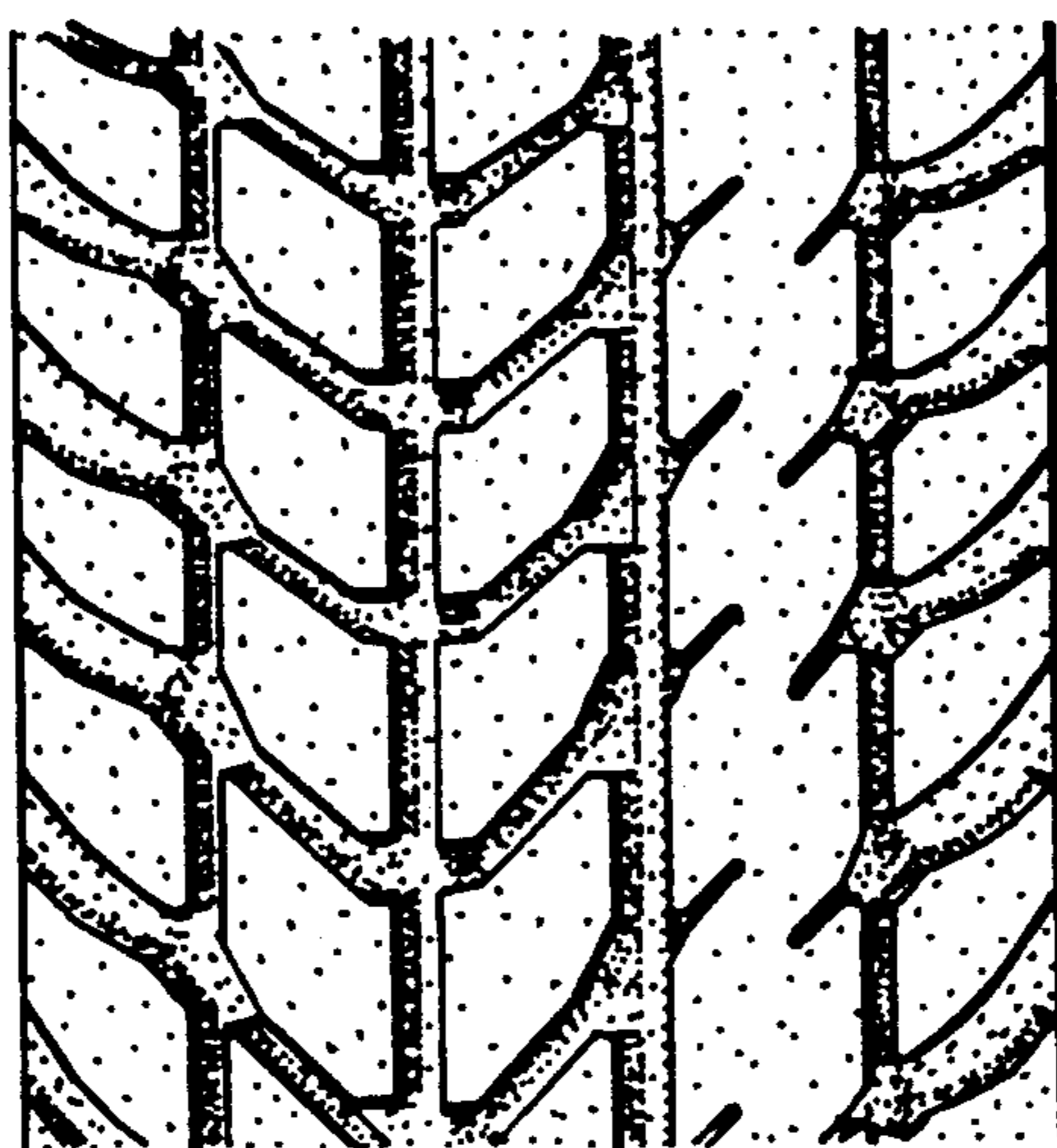


Fig. 2

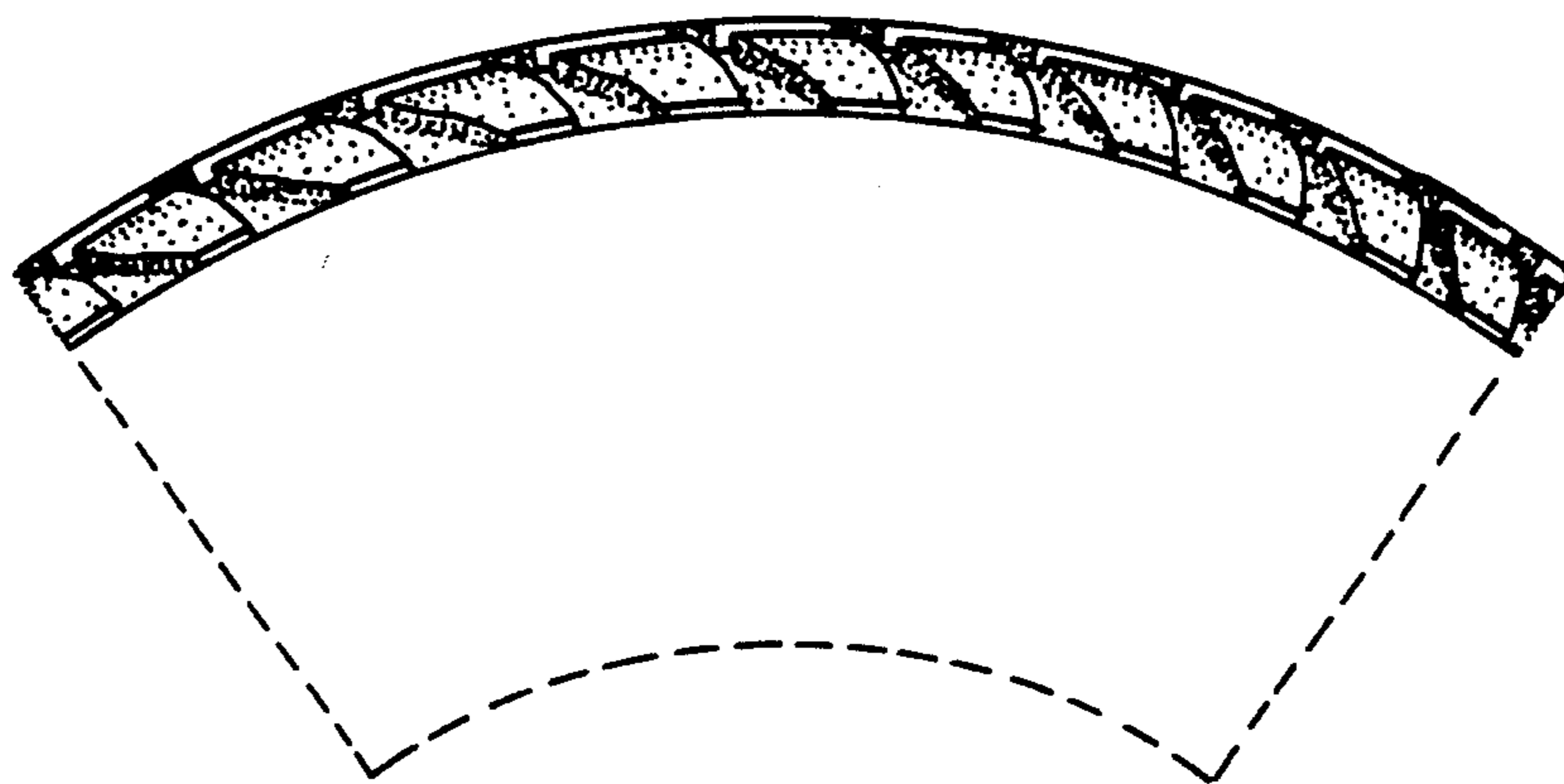


Fig. 3

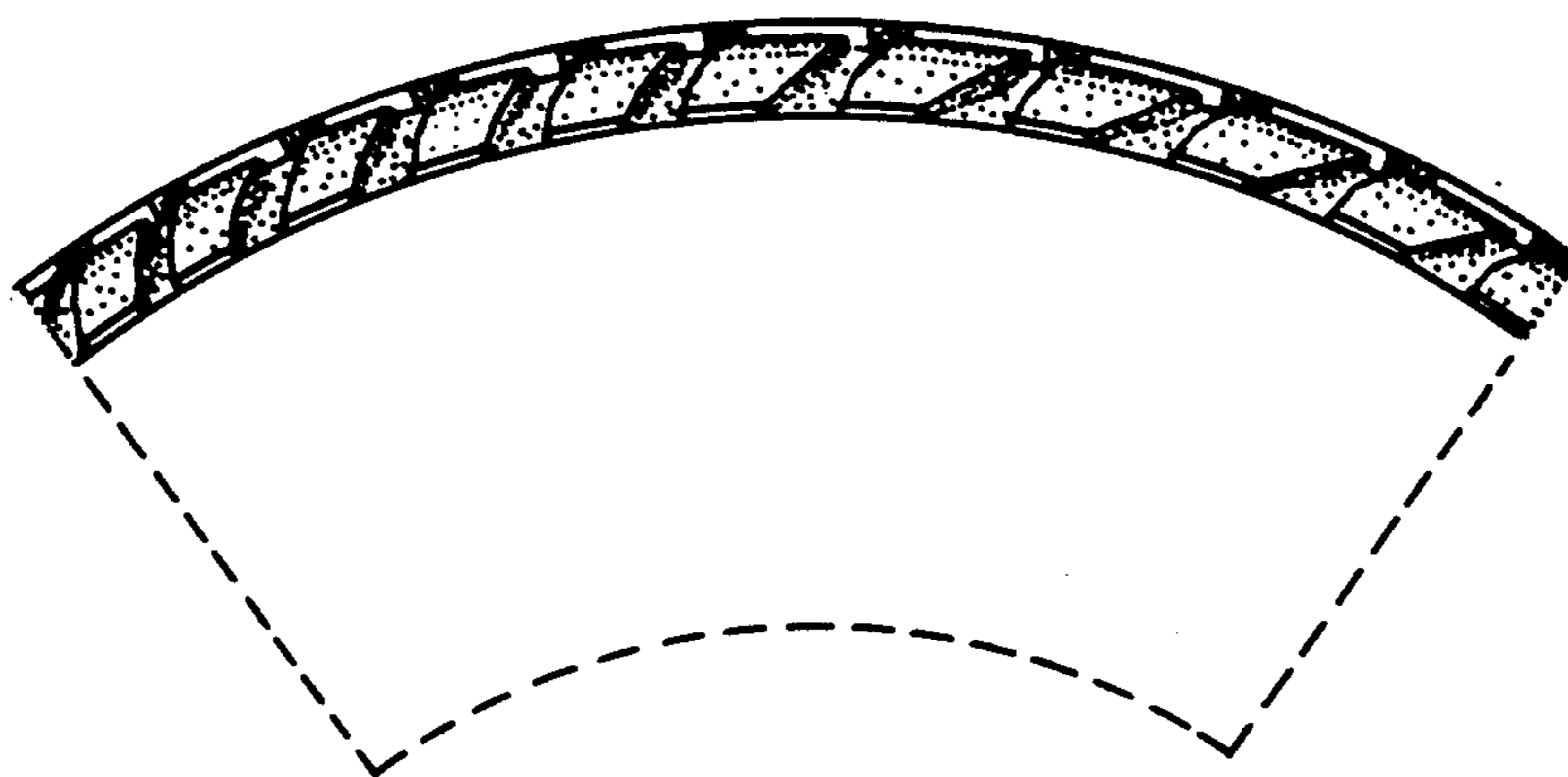


Fig. 4