

[54] FRONT PANEL OF A MOTORHOME

[75] Inventor: James F. Shea, Sr., Nappanee, Ind.

[73] Assignee: Gulf Stream Coach, Inc., Nappanee, Ind.

[\*\*] Term: 14 Years

[21] Appl. No.: 497,643

[22] Filed: Mar. 23, 1990

Related U.S. Application Data

[62] Division of Ser. No. 441,865, Nov. 27, 1989.

[52] U.S. Cl. .... D12/100

[58] Field of Search ..... D12/99, 100, 196; 296/156, 164, 166

[56] References Cited PUBLICATIONS

R.V. Business, 9/2/88, p. 21, Front Panel of Komfort Model 30-SL Motor Home, bottom of page.

R.V. Business, 11/14/88, p. 7, Front Panel of Yellowstone Class A Motor Home, bottom right side of page.

R.V. Business, 2/6/89, p. 8, Maxum Class A Motor Home Front Panel, top left side of page.

R.V. Business, 7/17/89, p. 13, Front Panel of Airex Motor Home, top of page.

Primary Examiner—James M. Gandy  
Attorney, Agent, or Firm—Thomas J. Dodd

[57] CLAIM

The ornamental design for a front panel of a motorhome, as shown and described.

DESCRIPTION

FIG. 1 is a perspective view of the front panel of a motorhome showing my new design;

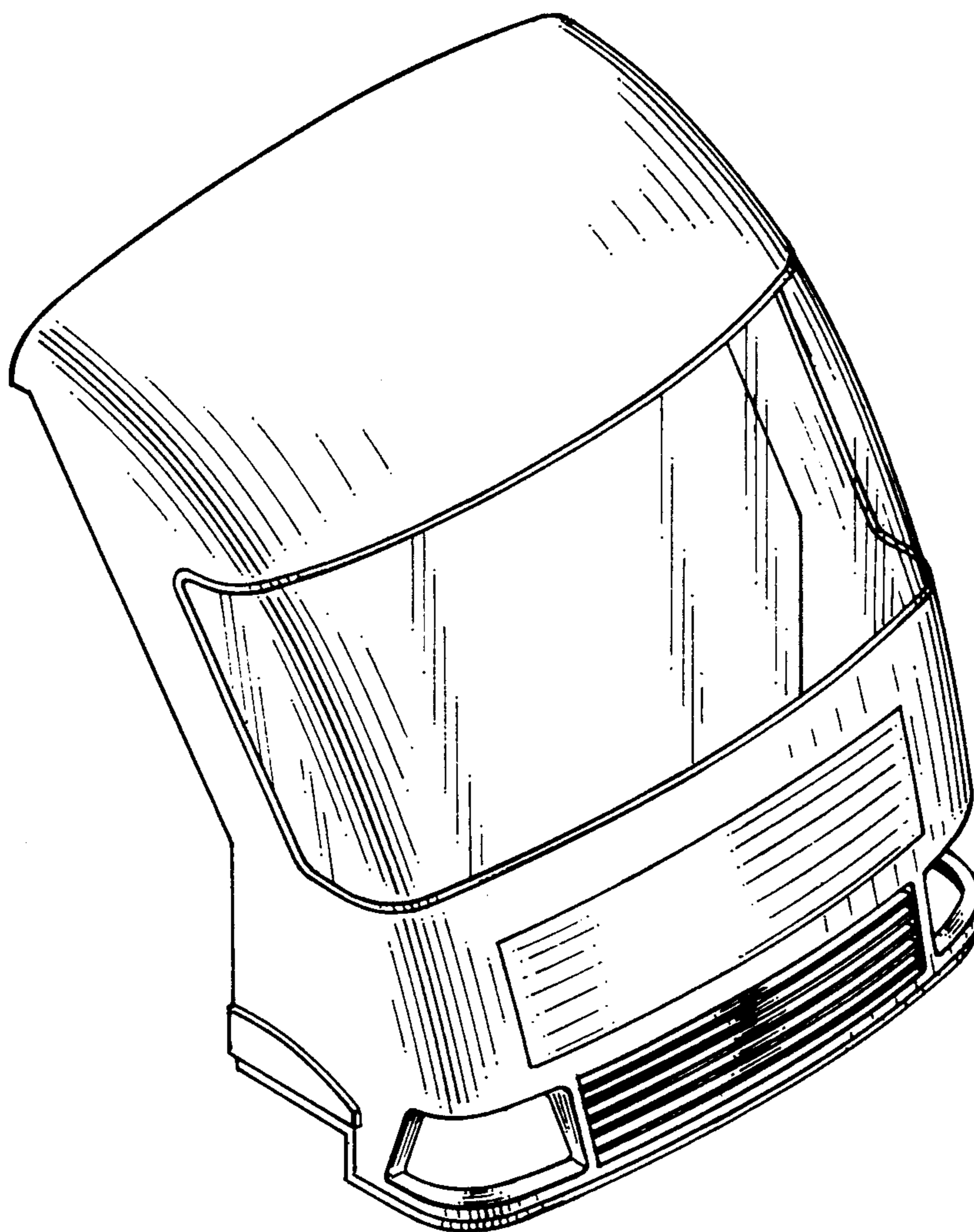
FIG. 2 is a top plan view thereof;

FIG. 3 is a front end elevational view thereof;

FIG. 4 is a right side elevational view thereof, with the left side being a substantial mirror image thereof;

FIG. 5 is a rear end elevational view thereof; and

FIG. 6 is a bottom plan view thereof.



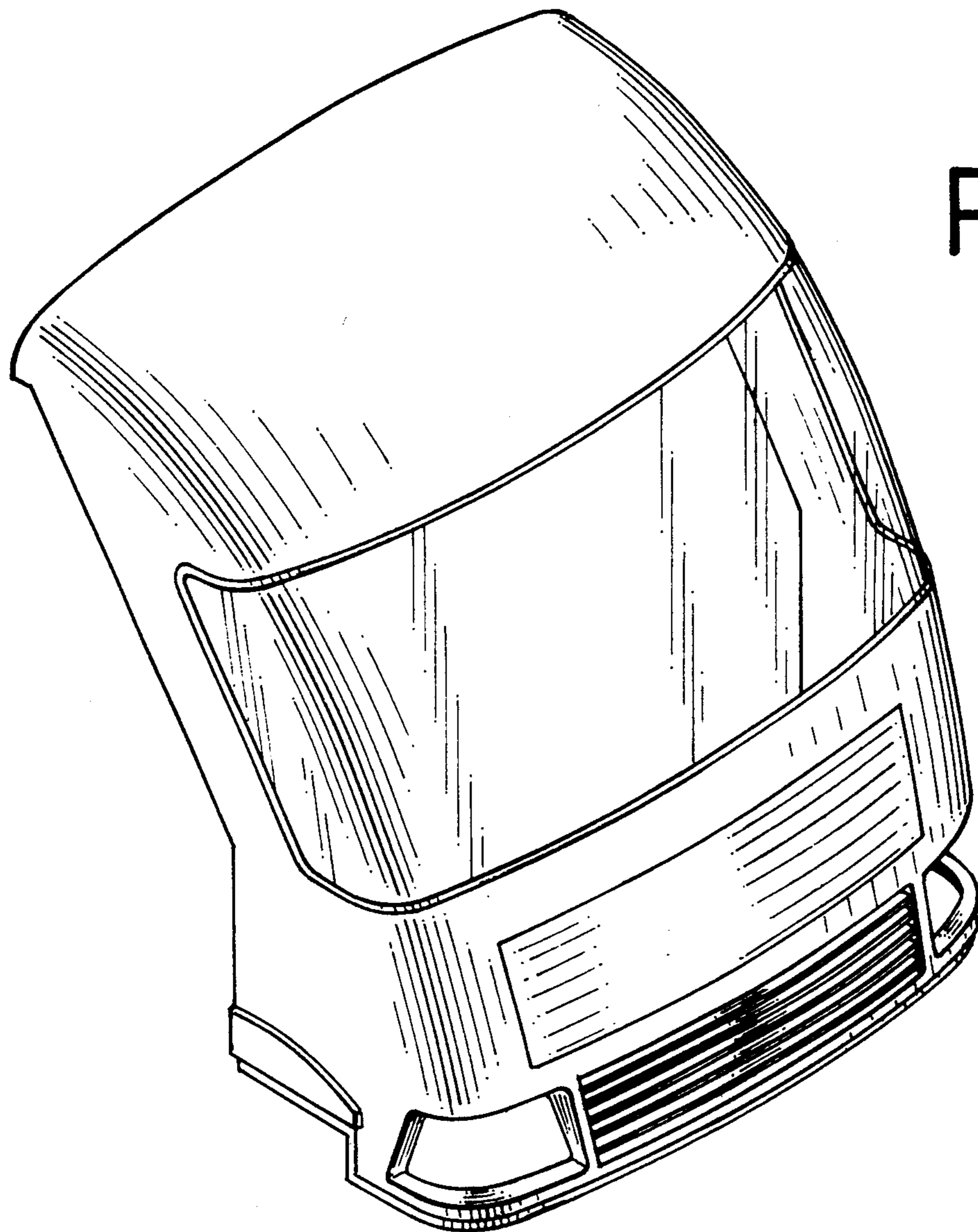


Fig. 1

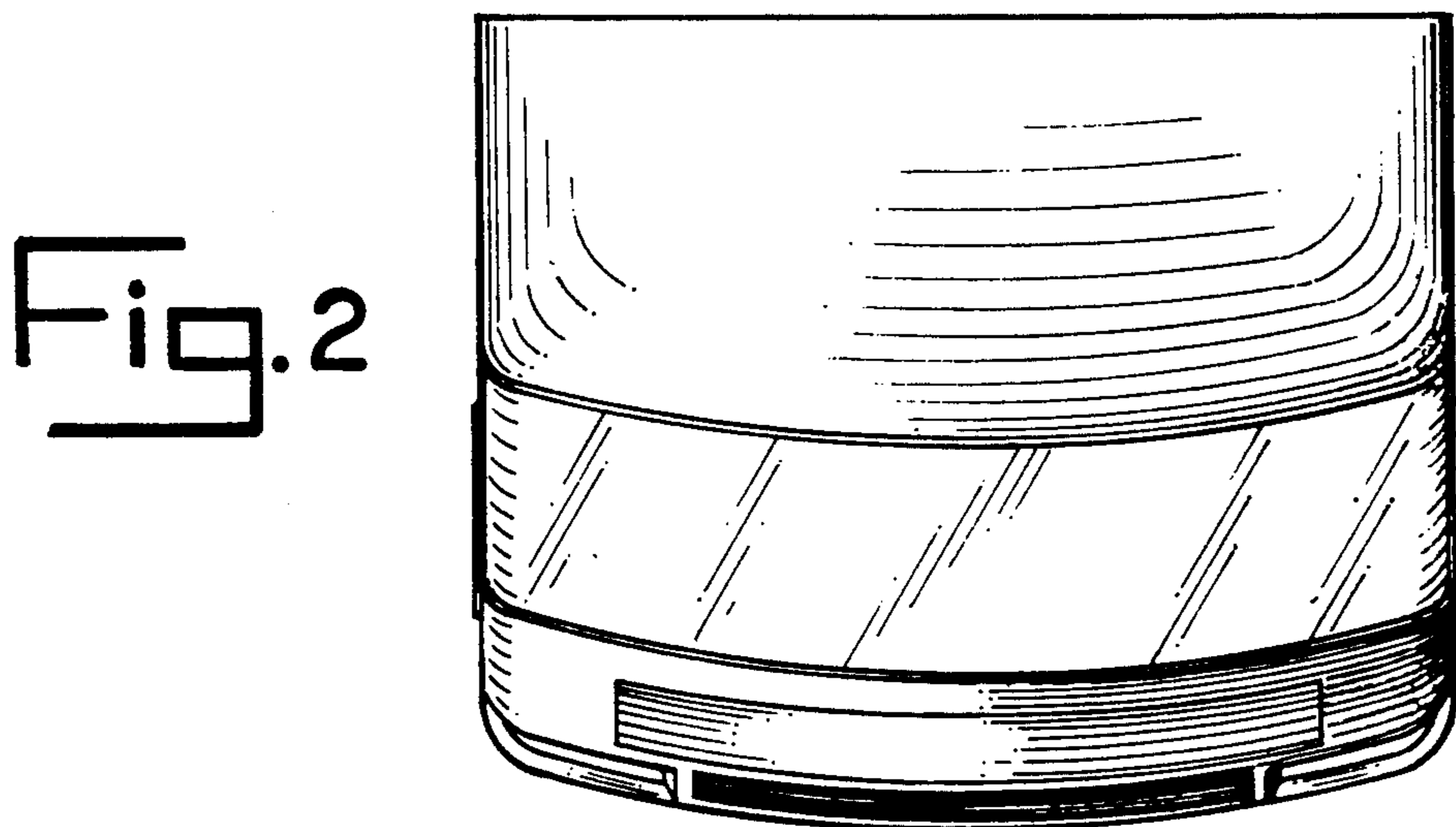


Fig. 2

Fig. 3

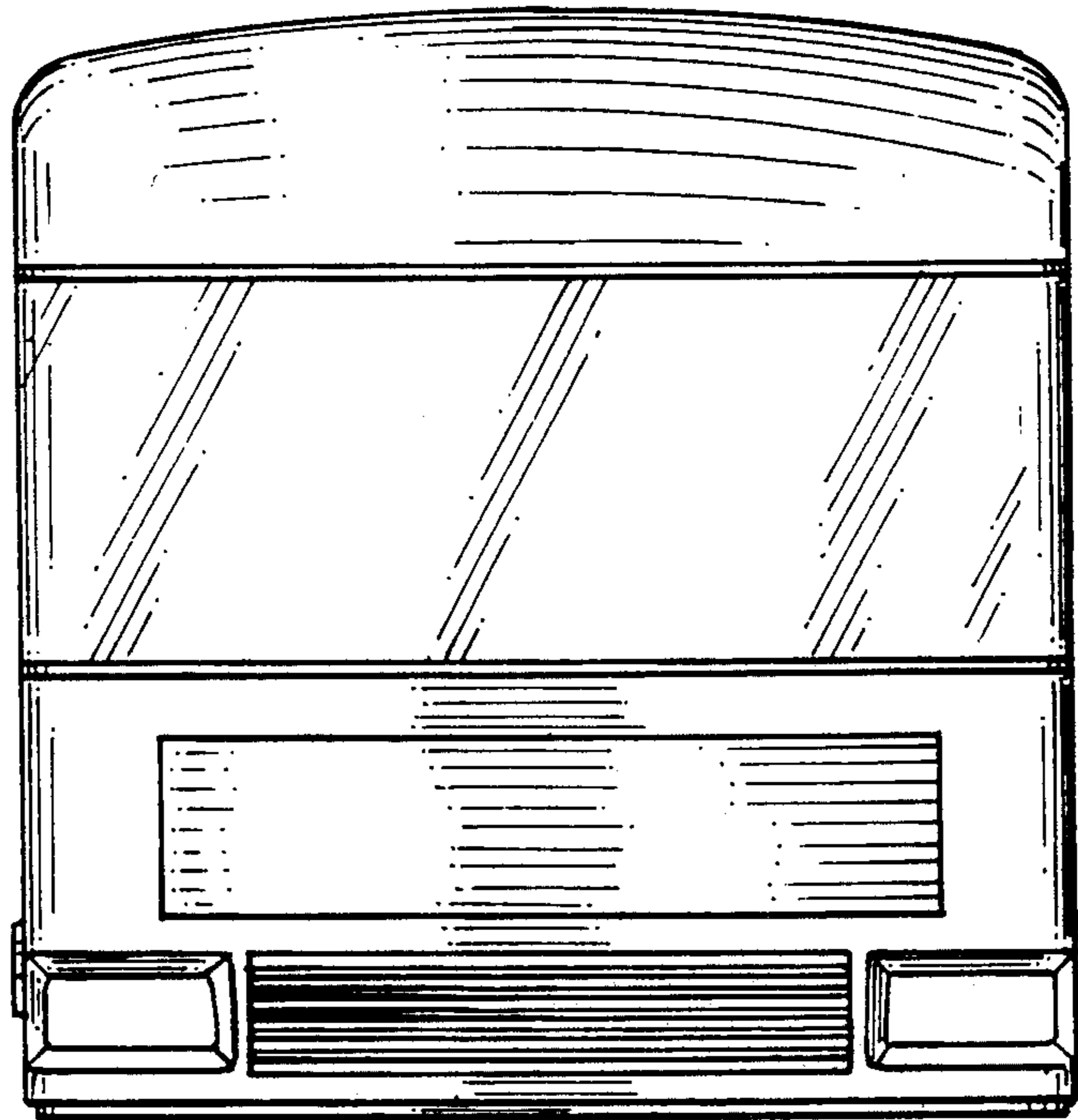


Fig. 4

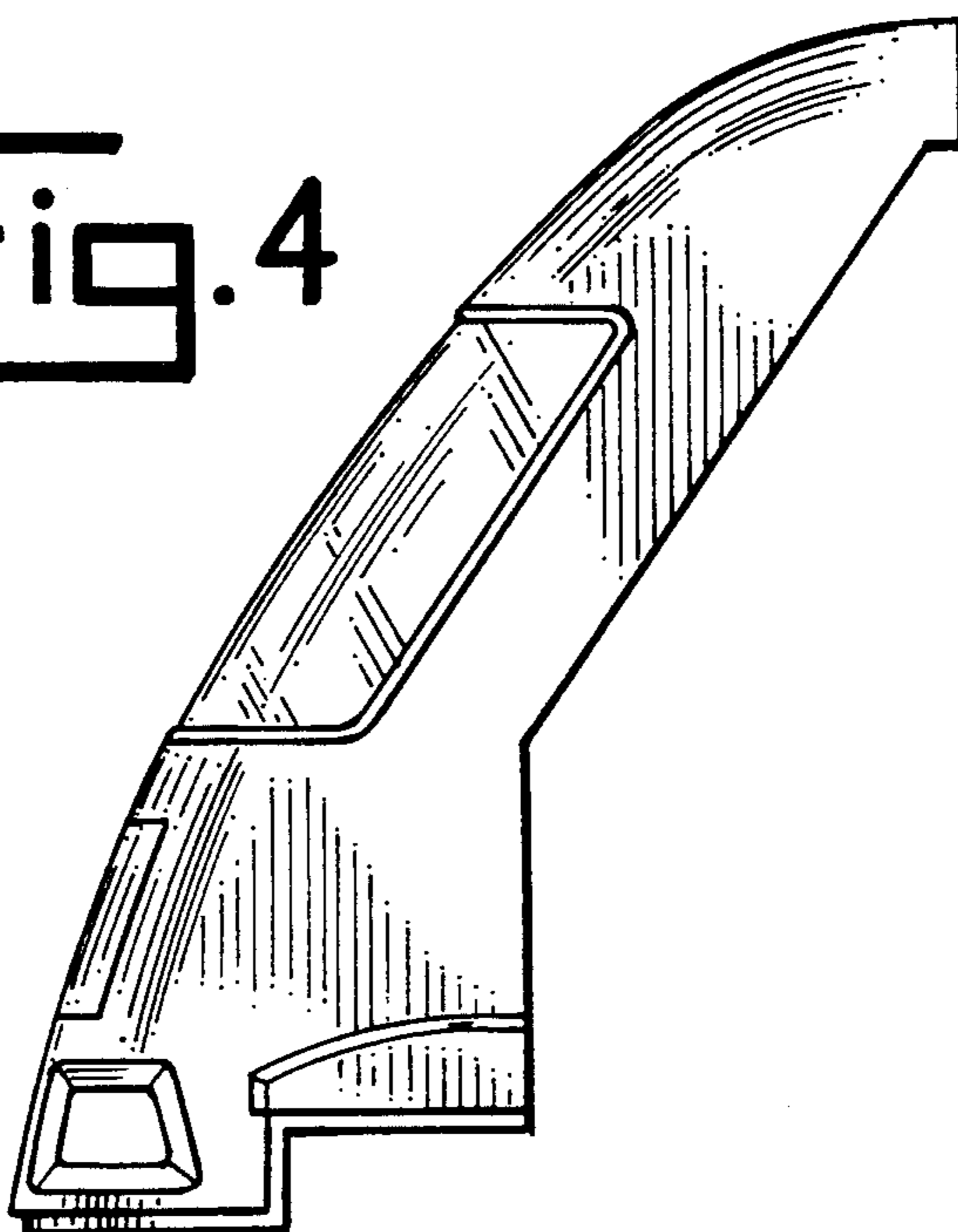


Fig. 5

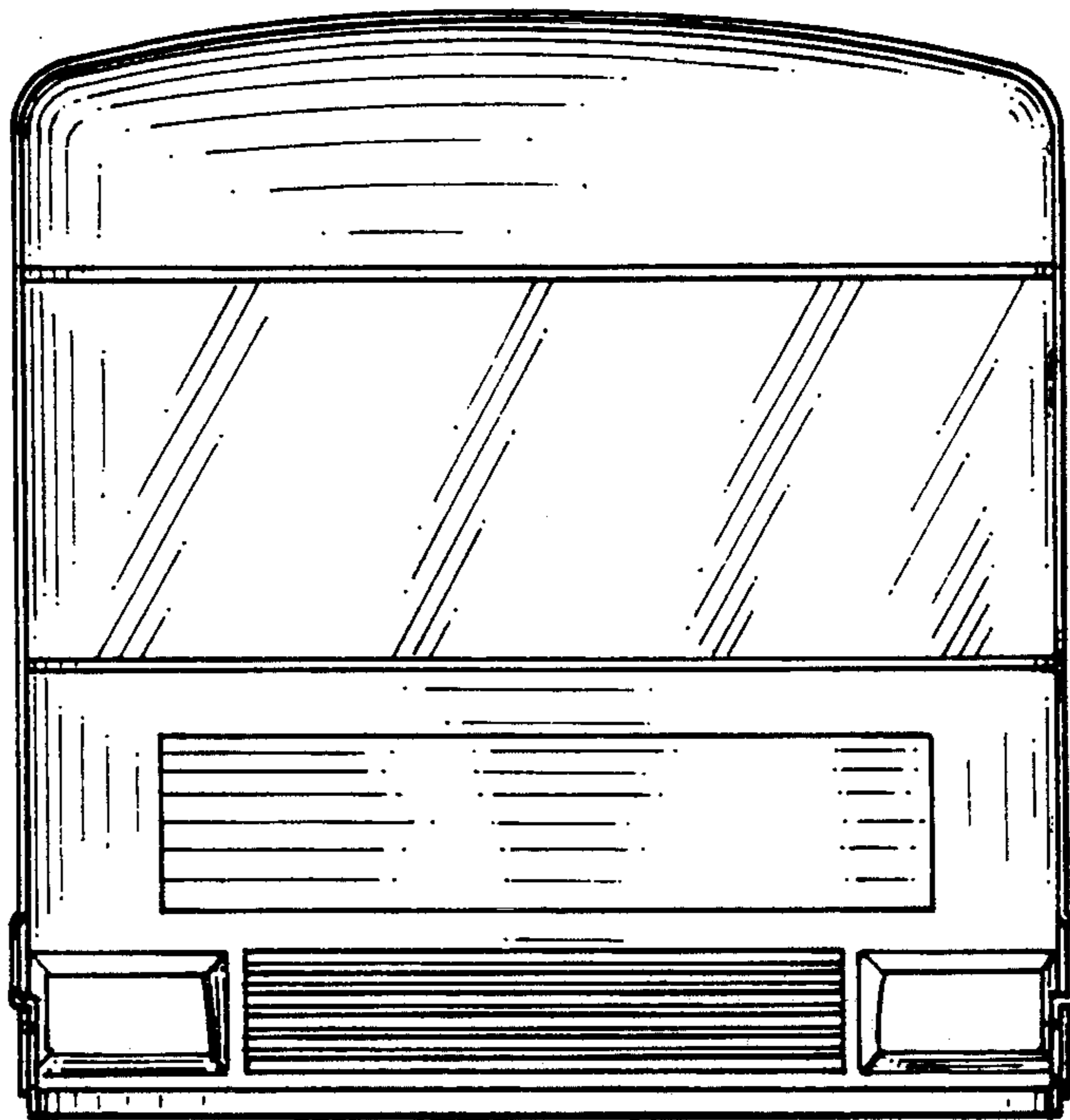


Fig. 6

