

[54] PULL TAB FOR SLIDE FASTENER

[75] Inventor: Kenji Yuki, Toyama, Japan

[73] Assignee: Yoshida Kogyo K.K., Tokyo, Japan

[**] Term: 14 Years

[21] Appl. No.: 421,710

[22] Filed: Oct. 16, 1989

[30] Foreign Application Priority Data

Apr. 17, 1989 [JP] Japan 1-14185

[52] U.S. Cl. D11/221; D11/200

[58] Field of Search D11/200, 201, 221, 212,
D11/13, 40-47, 79-80, 85-86, 1-4;
24/381-385, 415-417, 427-431

[56] References Cited

U.S. PATENT DOCUMENTS

2,503,301 4/1950 Segre 24/381
3,599,457 8/1971 Kamp D3/61

FOREIGN PATENT DOCUMENTS

0117591 4/1930 Austria 24/429

Primary Examiner—A. Hugo Word

Assistant Examiner—R. T. Seifert

Attorney, Agent, or Firm—Hill, Van Santen, Steadman & Simpson

[57] CLAIM

The ornamental design for a pull tab for slide fastener, as shown.

DESCRIPTION

FIG. 1 is a front elevational view of a pull tab for slide fastener showing my new design;
FIG. 2 is a rear elevational view;
FIG. 3 is a top plan view;
FIG. 4 is a bottom plan view;
FIG. 5 is a right elevational view;
FIG. 6 is a sectional view taken along the lines 6—6 of FIG. 1; and
FIG. 7 is a sectional view taken along the line 7—7 of FIG. 1.

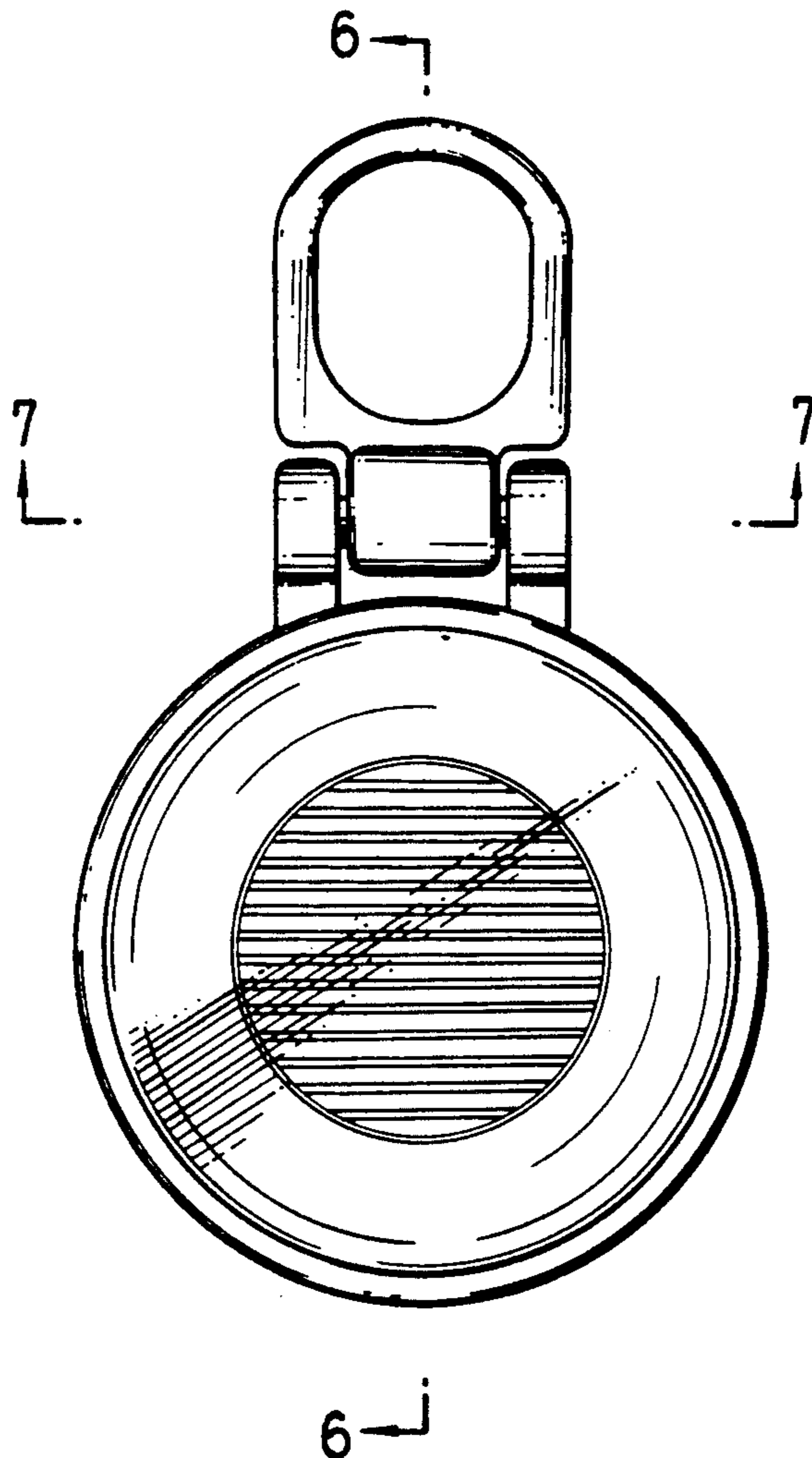


FIG. 1

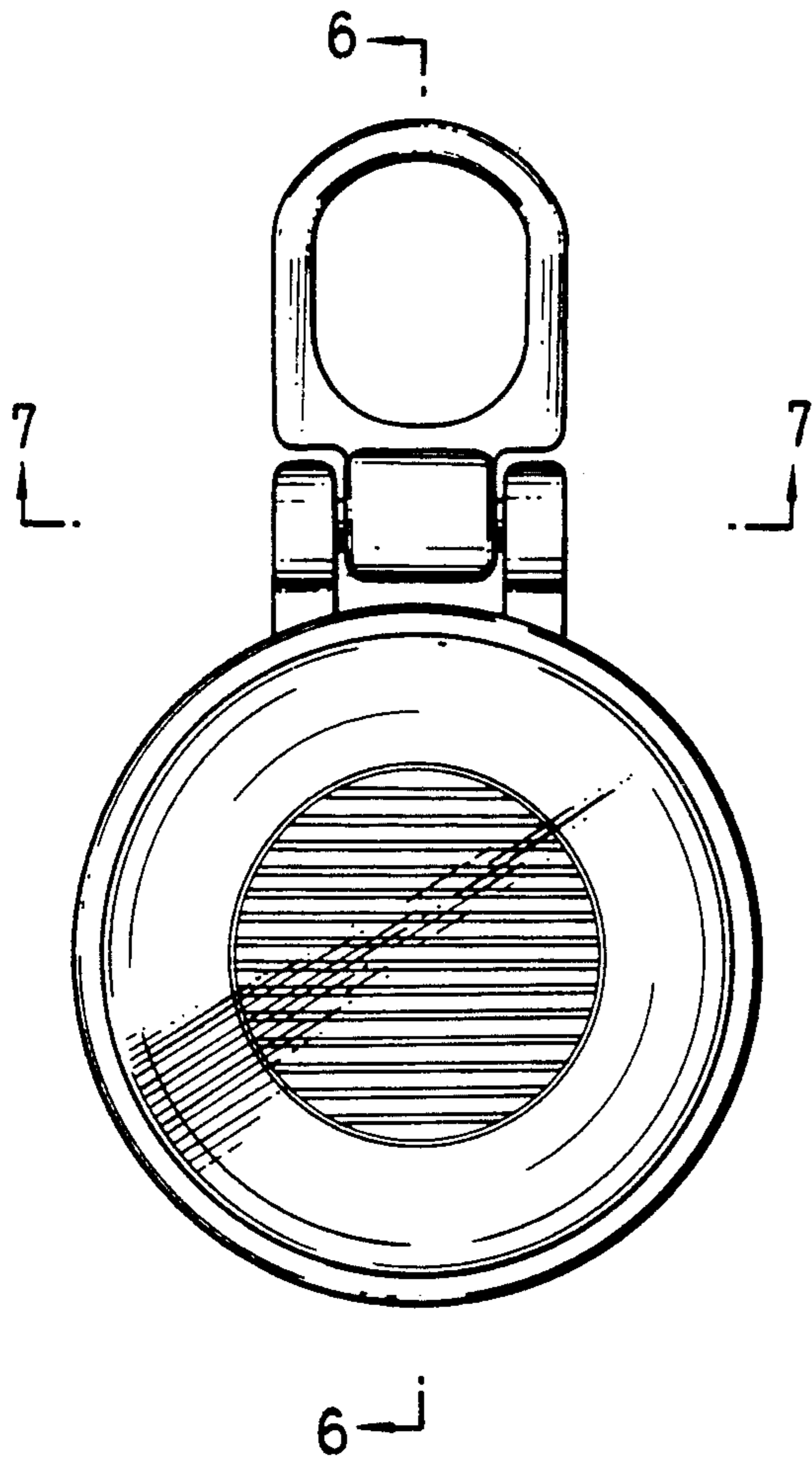


FIG. 2

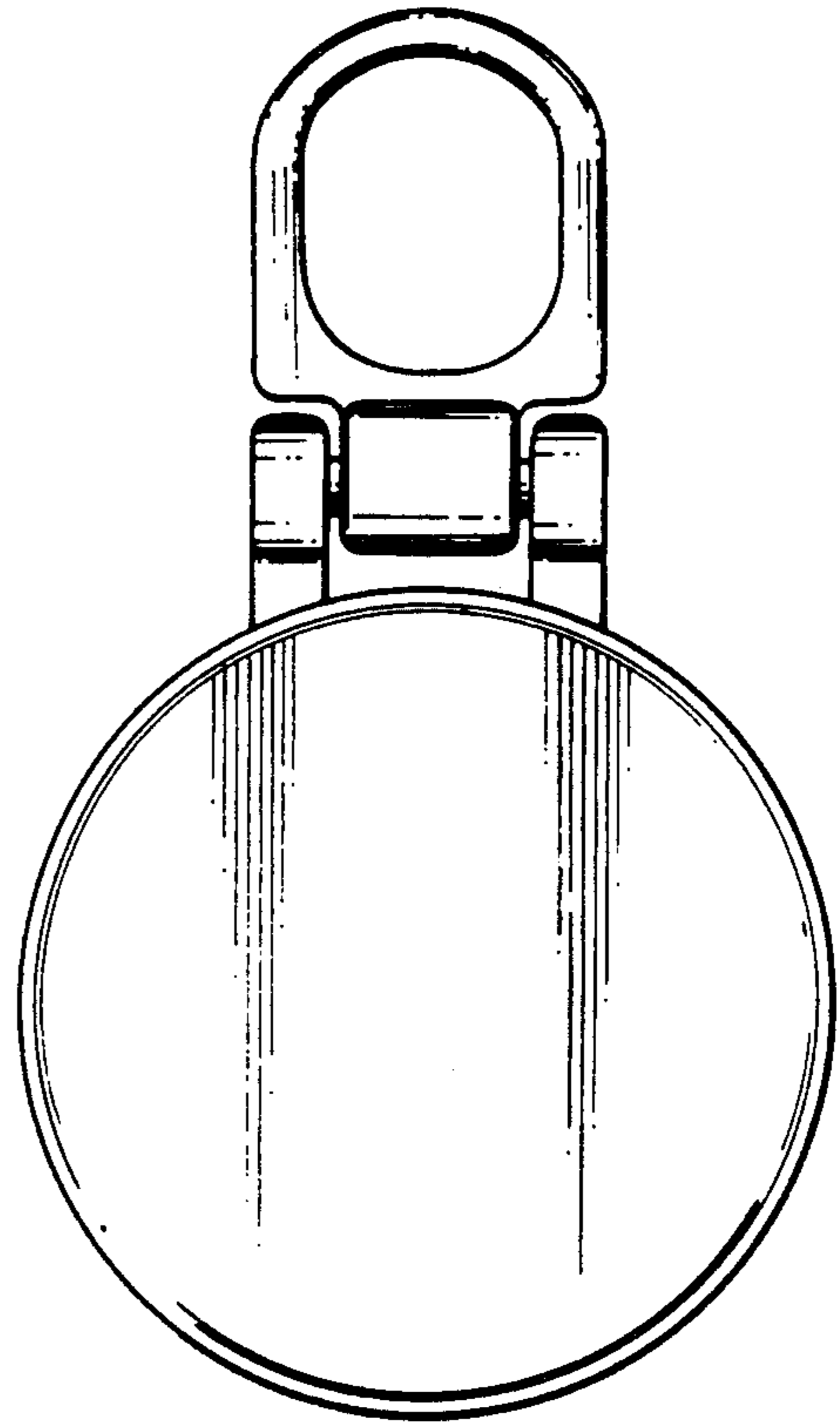


FIG. 3

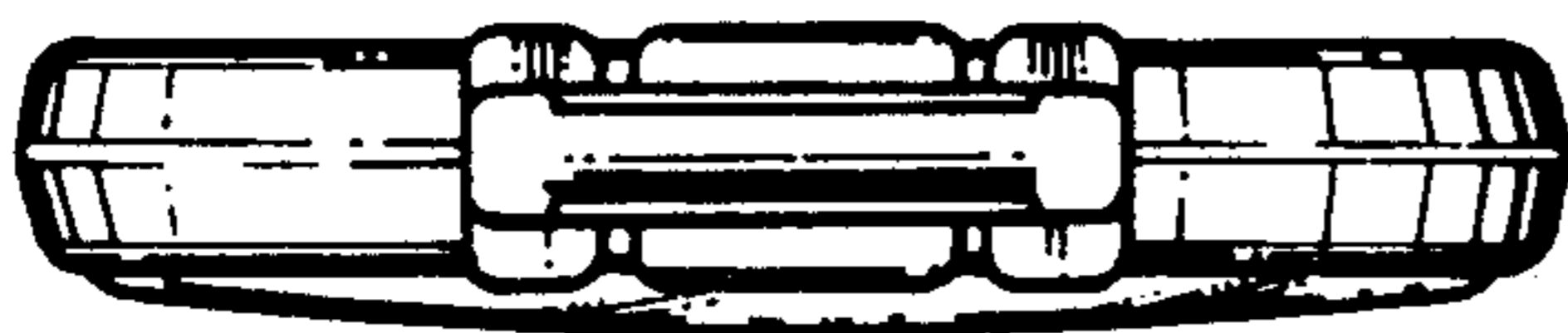


FIG. 4

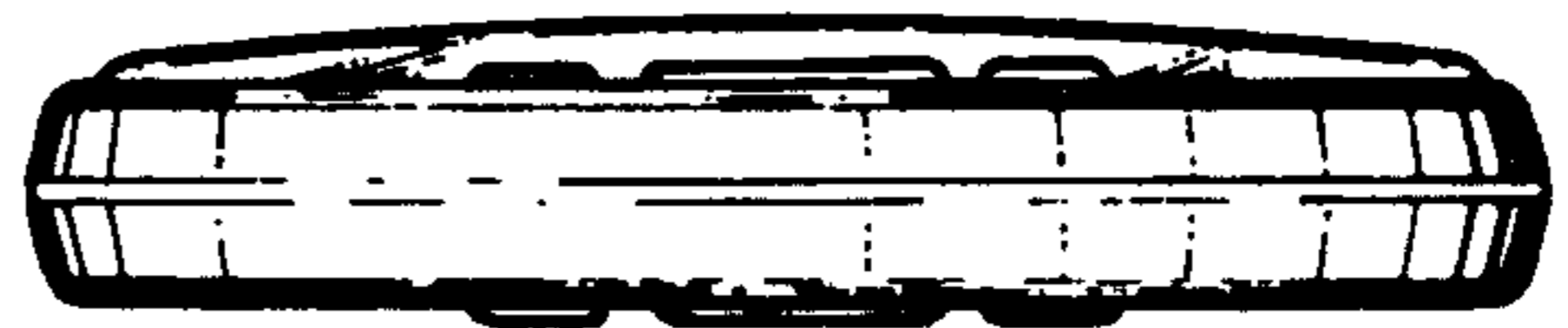


FIG. 5

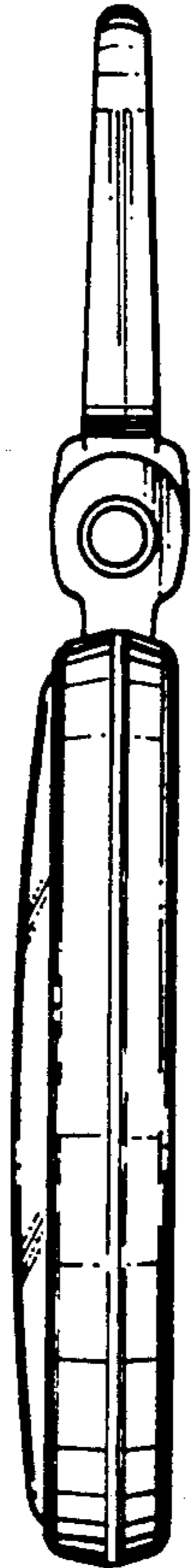


FIG. 6



FIG. 7

