

- [54] SLIDER FOR SLIDE FASTENER
- [75] Inventors: Yoshiyuki Horita, Toyama; Kiyoyasu Waki, Kawasaki, both of Japan
- [73] Assignee: Yoshida Kogyo K.K., Tokyo, Japan
- [**] Term: 14 Years
- [21] Appl. No.: 377,205
- [22] Filed: Jul. 10, 1989
- [52] U.S. Cl. D11/221; D11/200
- [58] Field of Search D11/200, 201, 221, 212, D11/13, 40-47, 79-80, 85-86, 1-4; 24/381-385, 415-417, 427-431

Primary Examiner—A. Hugo Word
Assistant Examiner—R. T. Seifert

[57] CLAIM

The ornamental design for a slider for slide fasteners, as shown and described.

DESCRIPTION

FIG. 1 is a front elevational view of a slide for a slide fastener showing my new design;
 FIG. 2 is a rear elevational view;
 FIG. 3 is a top plan view;
 FIG. 4 is a bottom plan view;
 FIG. 5 is a right side elevational view;
 FIG. 6 is a sectional view taken along the lines 6—6 of FIG. 1; and
 FIG. 7 is a perspective view shown in a position of use, the broken line showing of environment is for illustrative purposes only and forms no part of the claimed design.

- [56] References Cited
- U.S. PATENT DOCUMENTS
- D. 291,670 9/1987 Takabatake D11/221
- D. 303,510 9/1989 Minami D11/221
- 2,497,740 2/1950 Poux 24/415

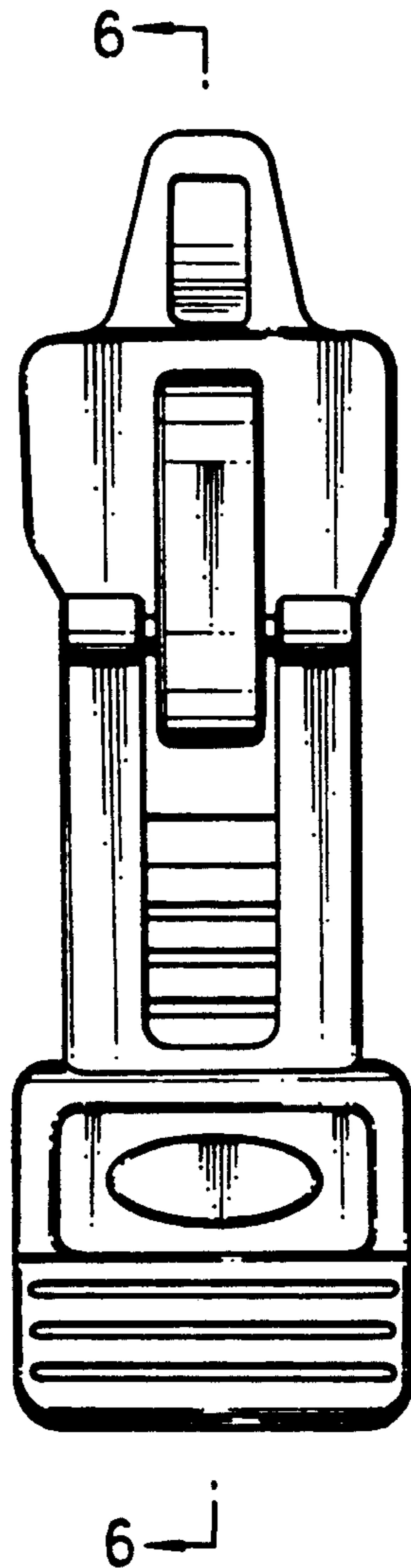
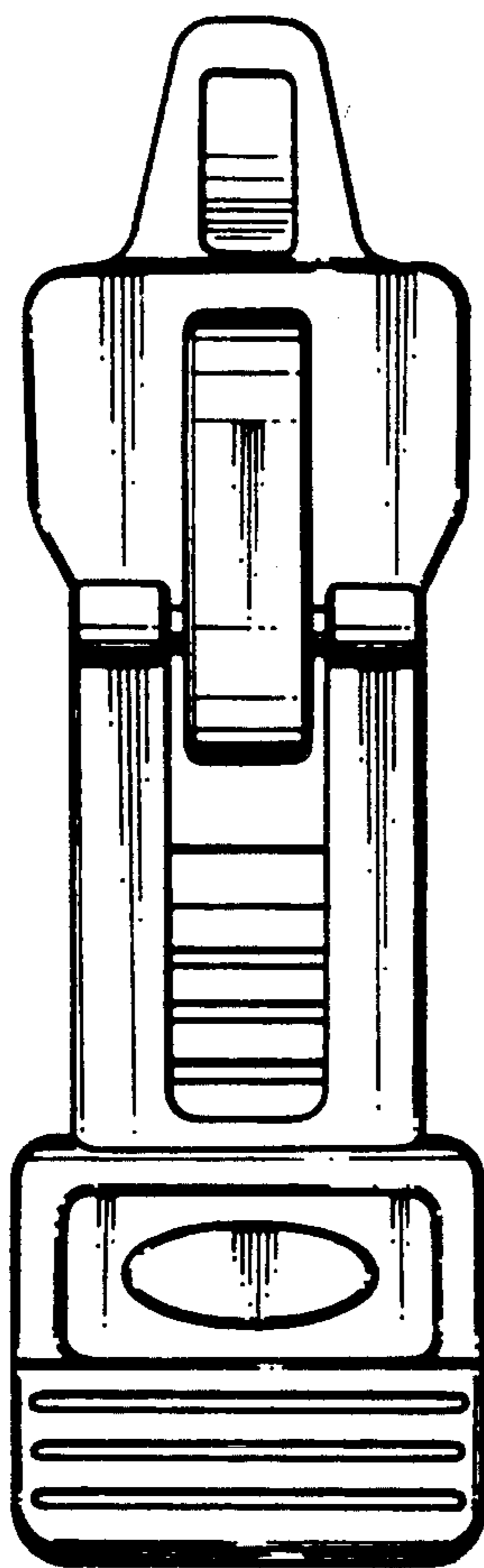


FIG. 1

6 ↙



6 ↙

FIG. 2

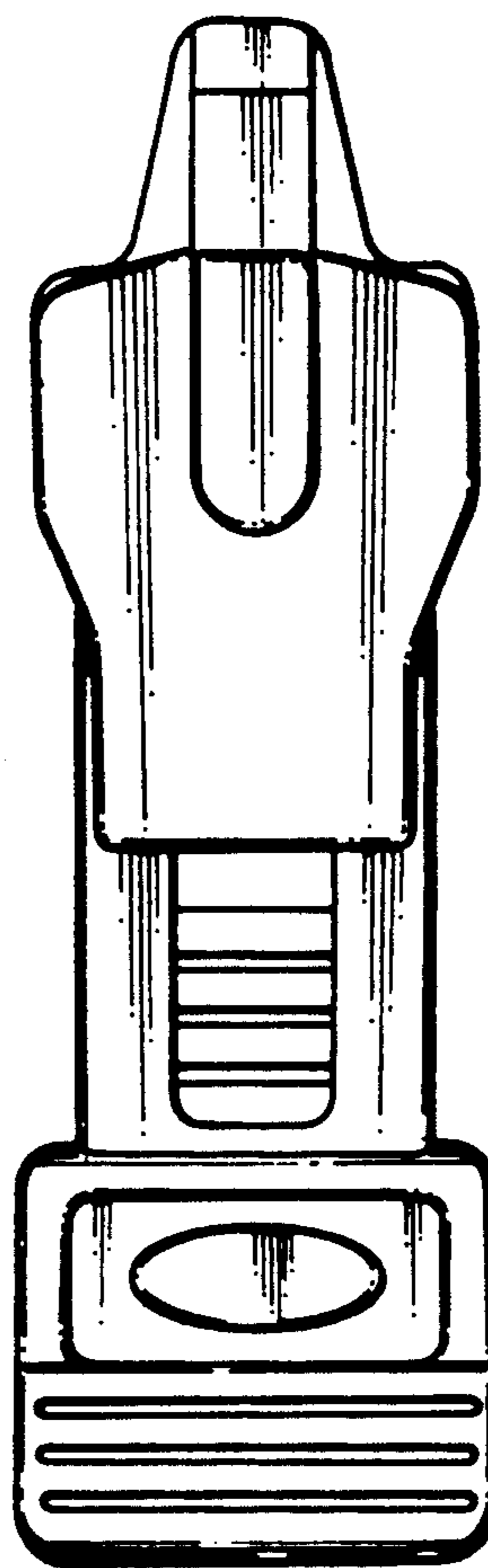


FIG. 4

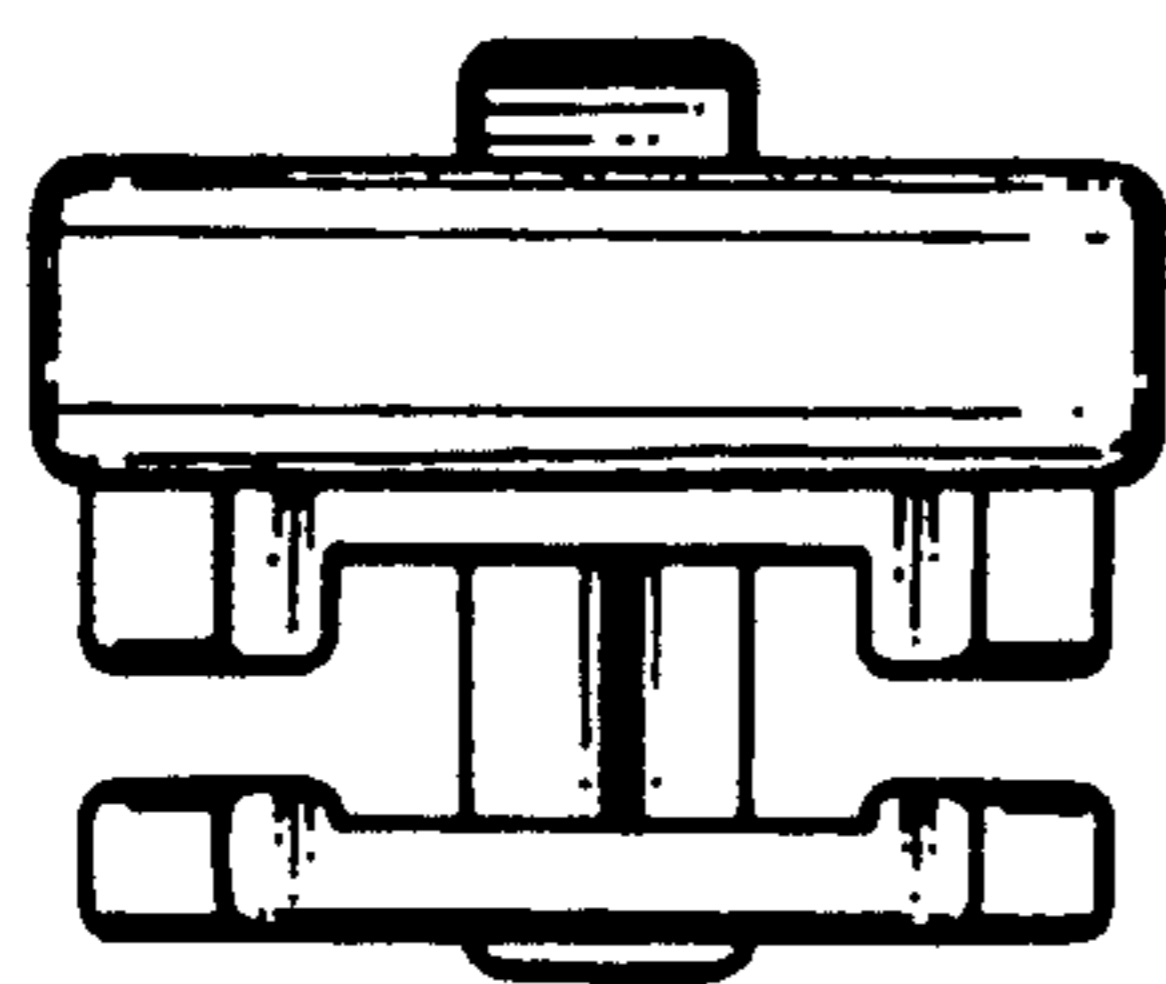


FIG. 3

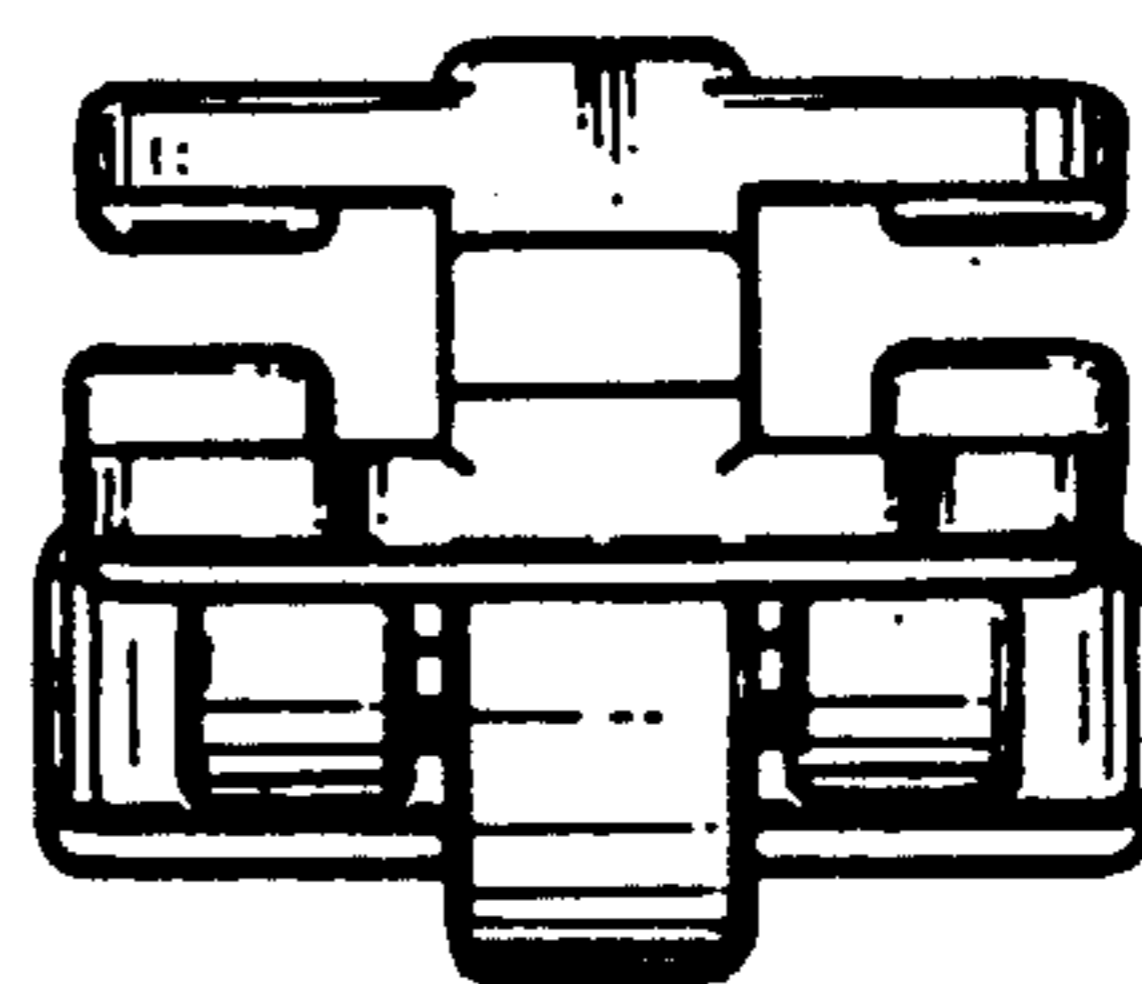


FIG. 5

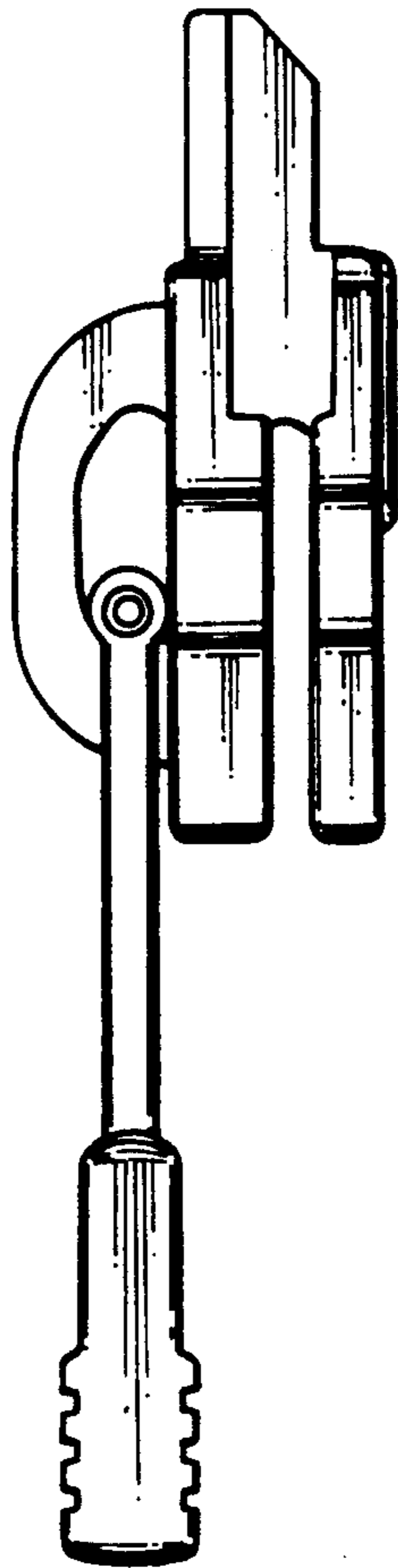


FIG. 6

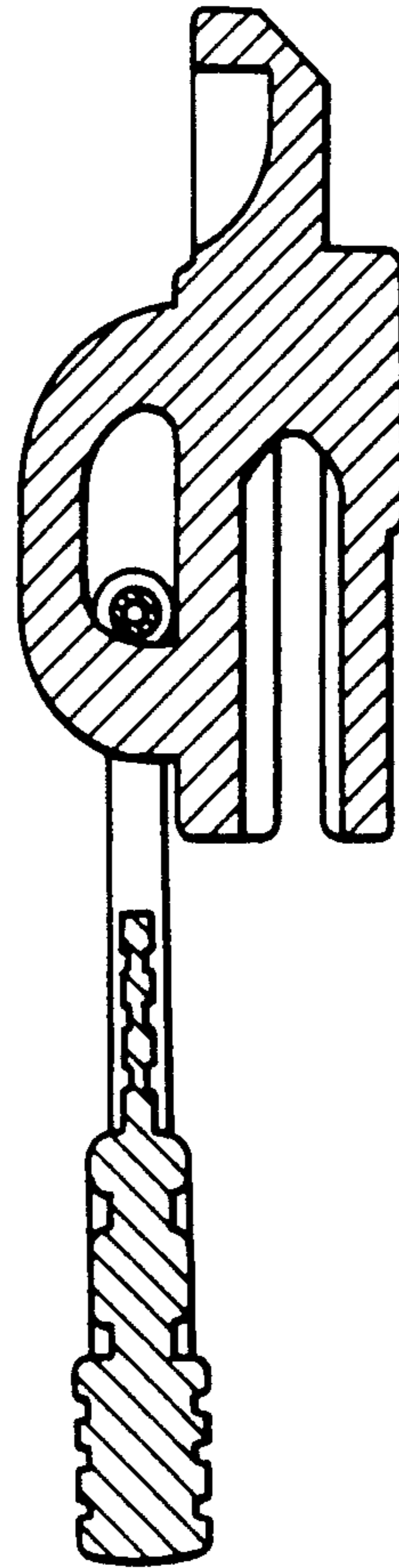


FIG. 7

