

[54] SLIDER FOR SLIDE FASTENERS

[75] Inventors: Yoshiyuki Horita, Toyama; Kiyoyasu Waki, Kawasaki, both of Japan

[73] Assignee: Yoshida Kogyo K.K., Tokyo, Japan

[**] Term: 14 Years

[21] Appl. No.: 377,203

[22] Filed: Jul. 10, 1989

[30] Foreign Application Priority Data

Dec. 15, 1988 [JP] Japan 63-48889
[52] U.S. Cl. D11/221; D11/200
[58] Field of Search D11/200, 201, 221, 212, D11/13, 40-47, 79-80, 85-86, 1-4; 24/381-385, 415-417, 427-431

[56] References Cited

U.S. PATENT DOCUMENTS

D. 303,510 9/1989 Minami D11/221
2,486,401 11/1949 Gerstman 24/430
4,823,447 4/1989 Akashi 24/429

Primary Examiner—A. Hugo Word
Assistant Examiner—R. T. Seifert
Attorney, Agent, or Firm—Hill, Van Santen, Steadman & Simpson

[57] CLAIM

The ornamental design for a slider for slide fasteners, as shown and described.

DESCRIPTION

FIG. 1 is a front perspective view of a slider for slide fasteners showing my new design; FIG. 2 is a rear elevational view; FIG. 3 is a top plan view; FIG. 4 is a bottom plan view; FIG. 5 is a front elevational view, shown with the pull tab in an alternate position; FIG. 6 is a right side elevational view of FIG. 5; FIG. 7 is a sectional view taken along the lines 7-7 of FIG. 1; FIG. 8 is a sectional view taken along the lines 8-8 of FIG. 1; FIG. 9 is a right side elevational view of the view shown in FIG. 1; FIG. 10 is a sectional view taken along the lines 10-10 of FIG. 9; FIG. 11 is a sectional view taken along the lines 11-11 of FIG. 9; and FIG. 12 is a perspective view shown in a position use, the broken line showing of environment is for illustrative purposes only and form no part of the claimed design.

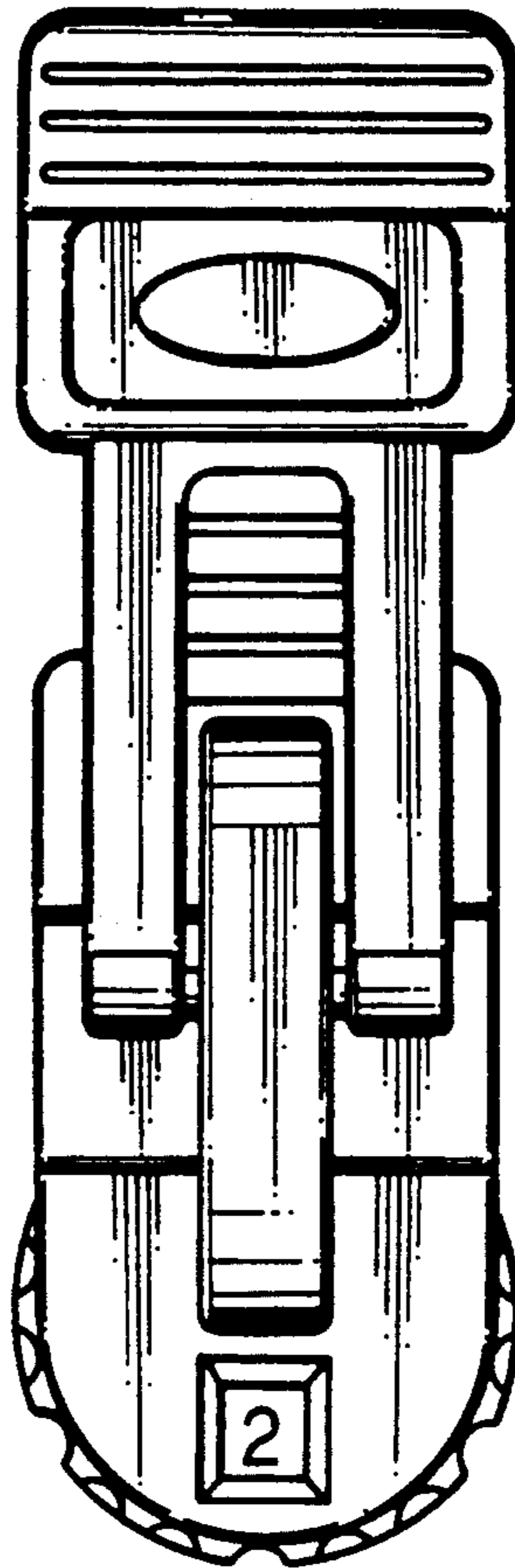


FIG. 1

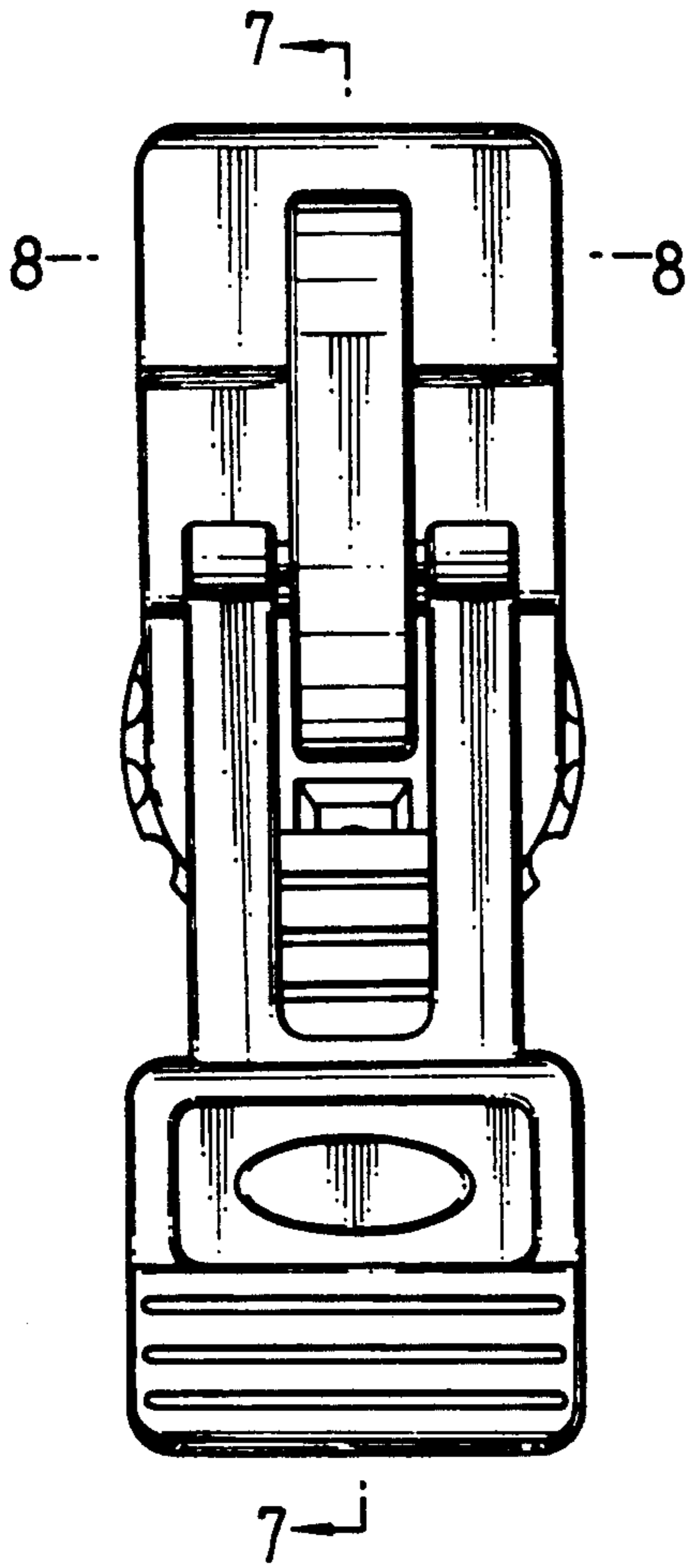


FIG. 2

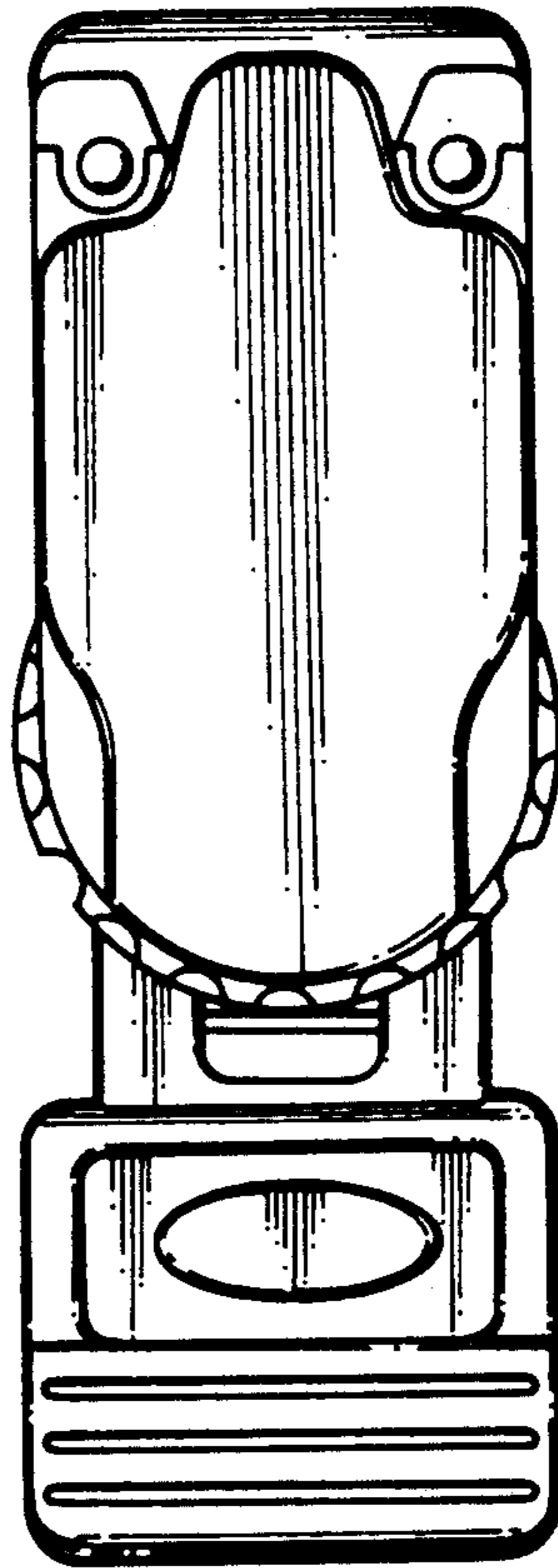


FIG. 4

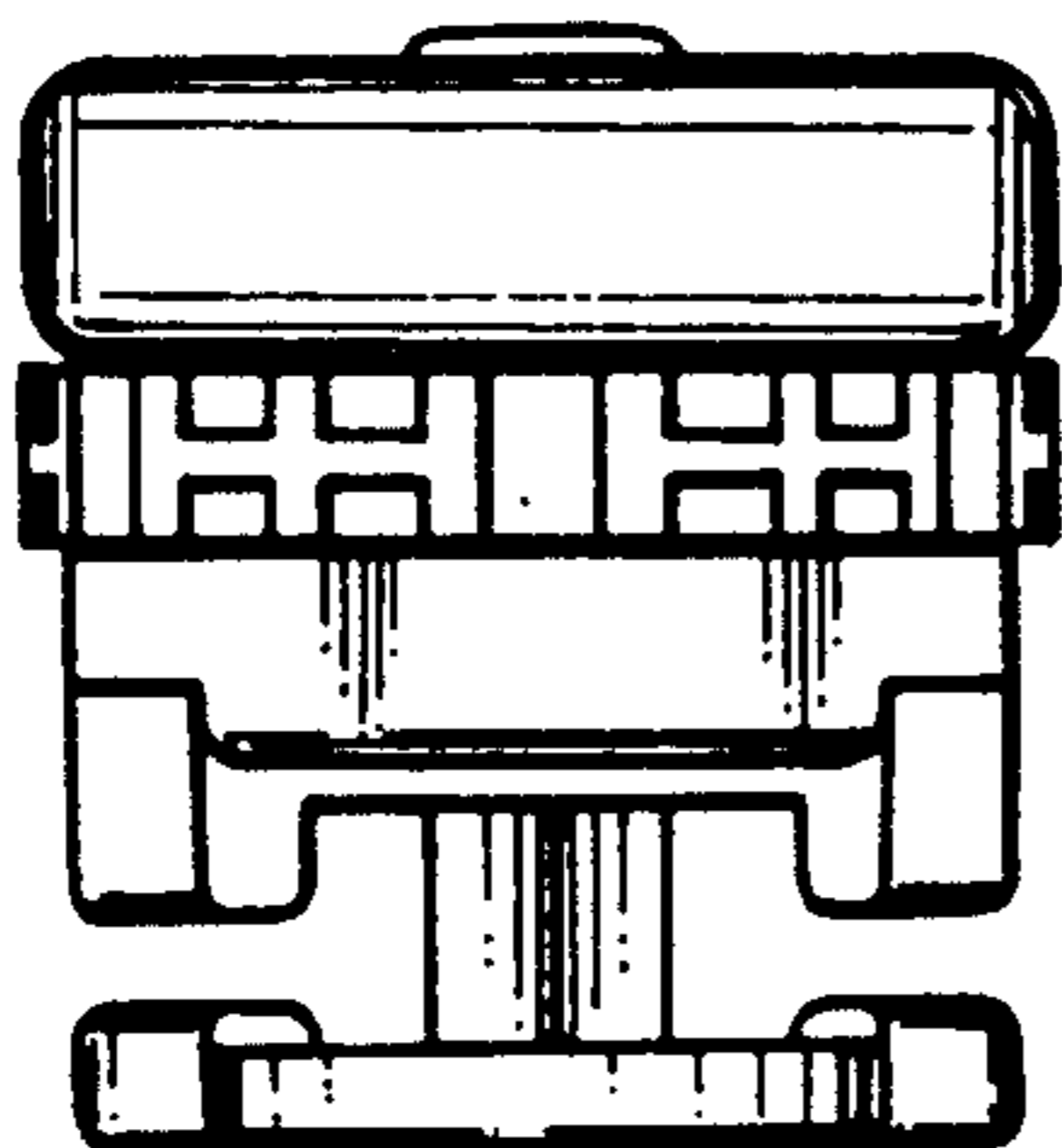


FIG. 3

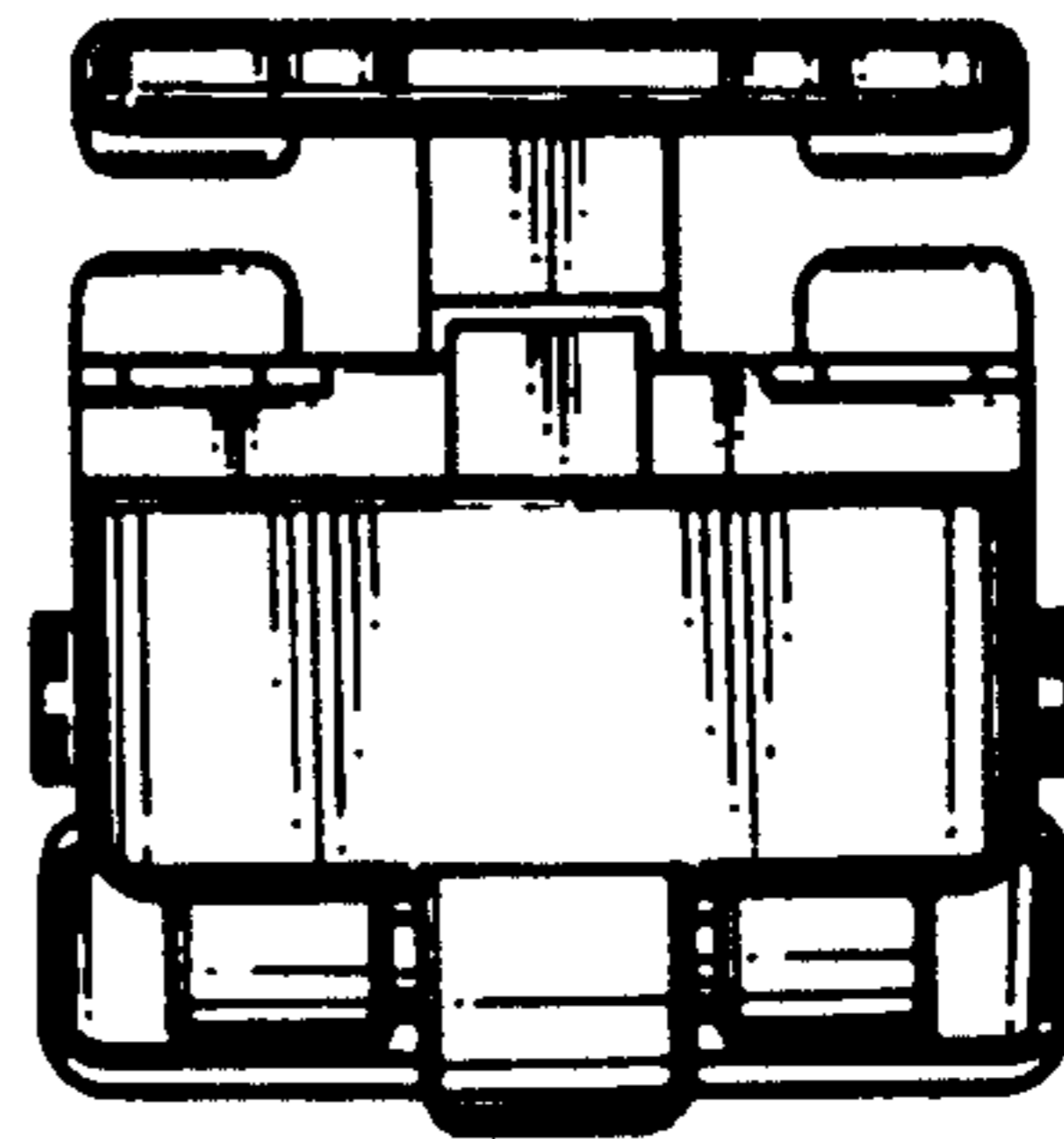


FIG. 6

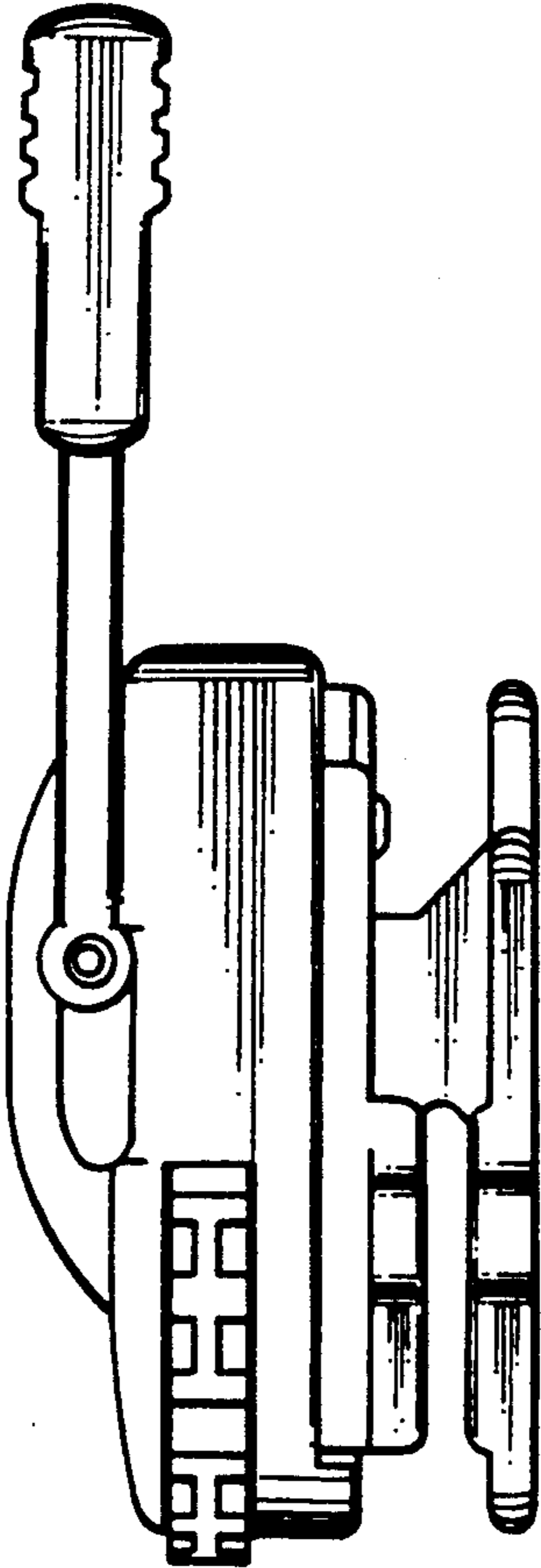


FIG. 5

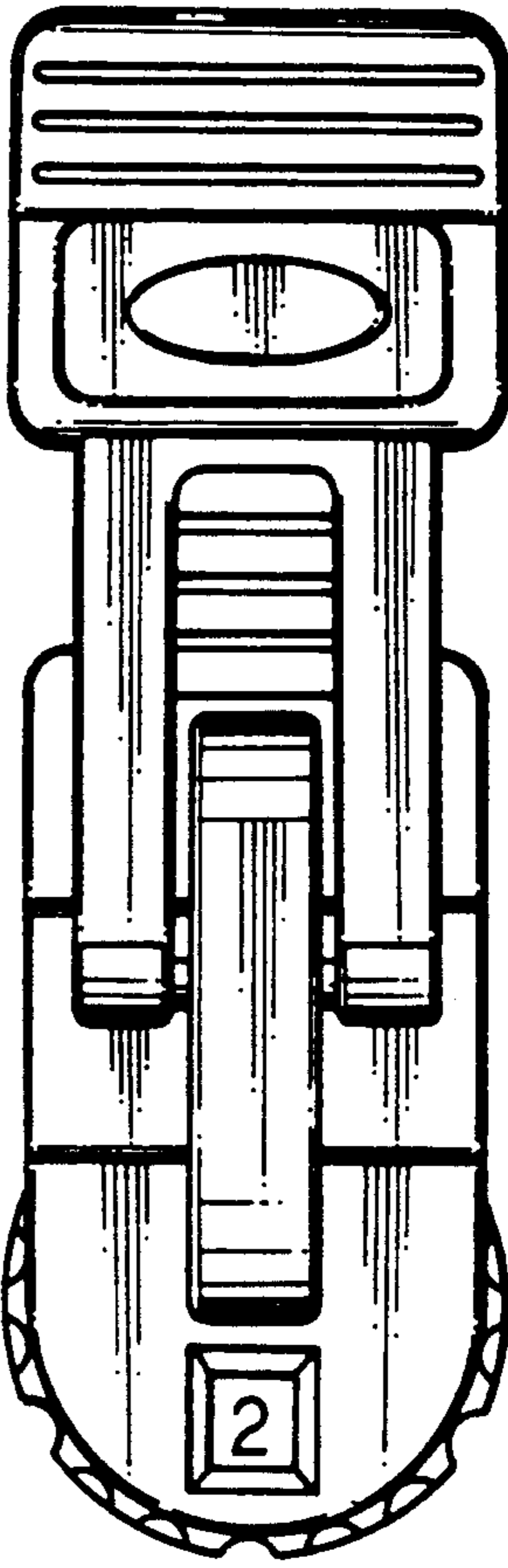


FIG. 7

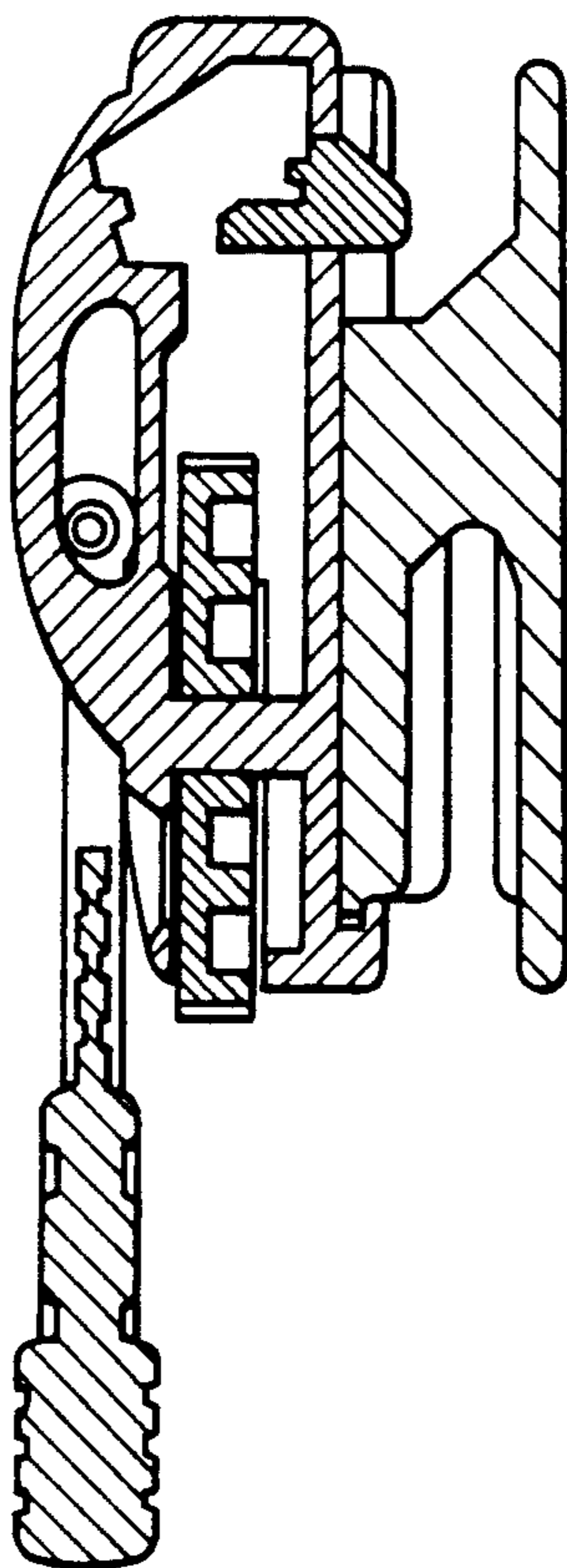


FIG. 8

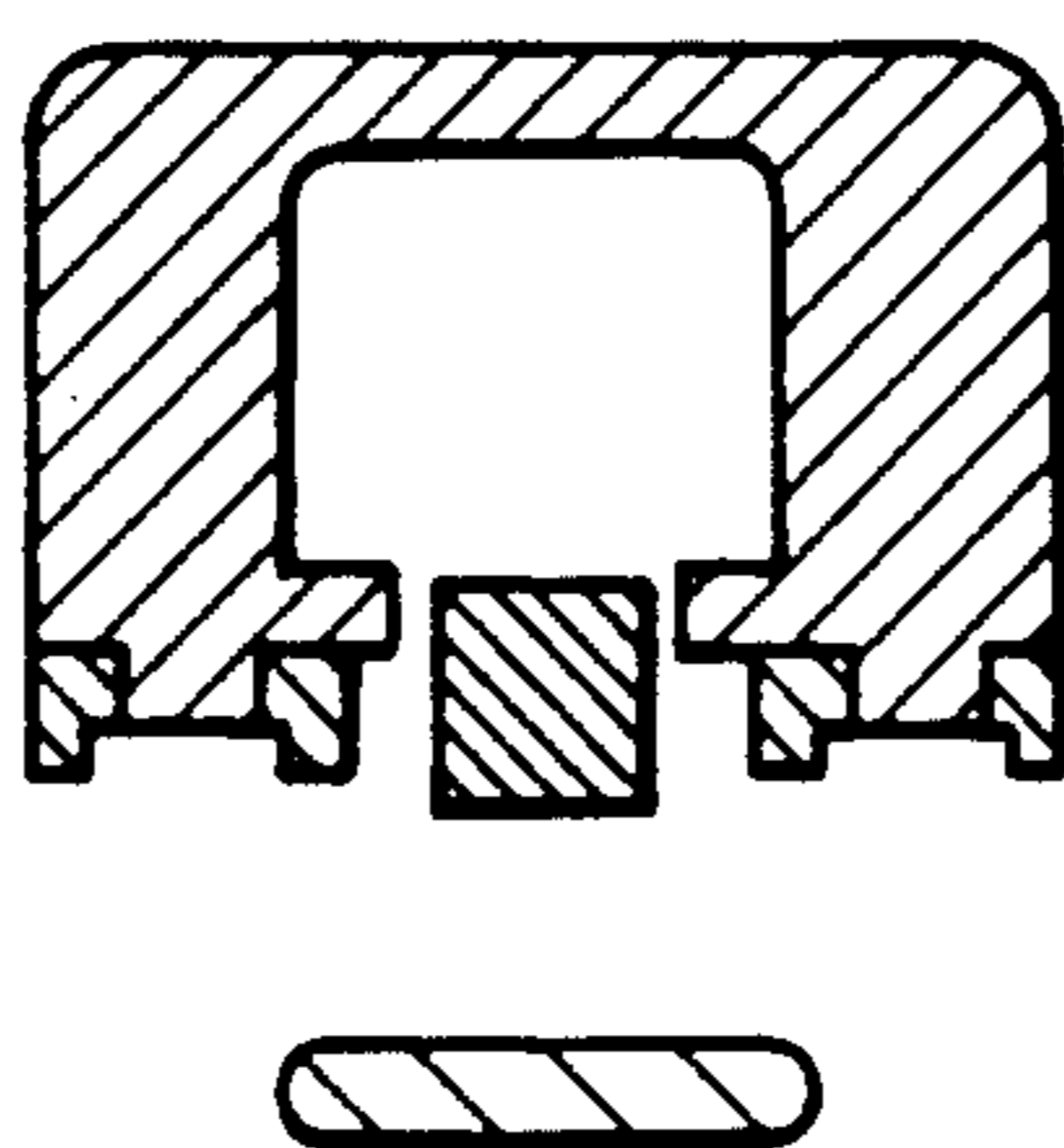


FIG. 9

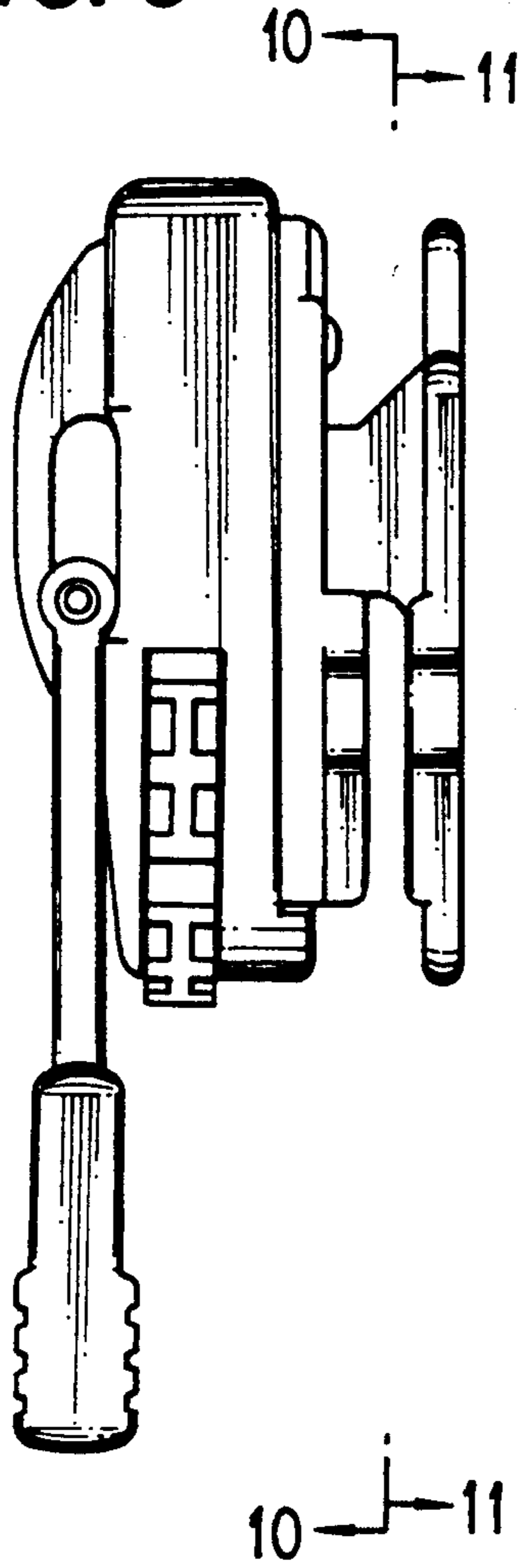


FIG. 10

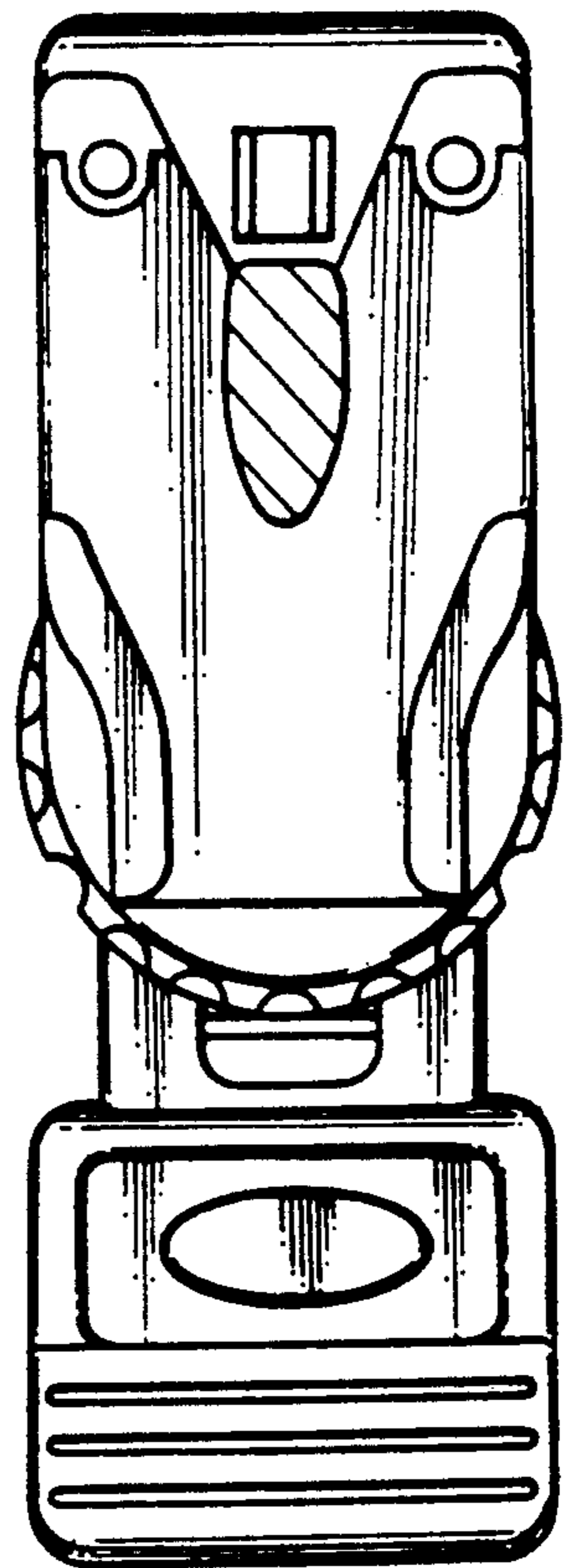
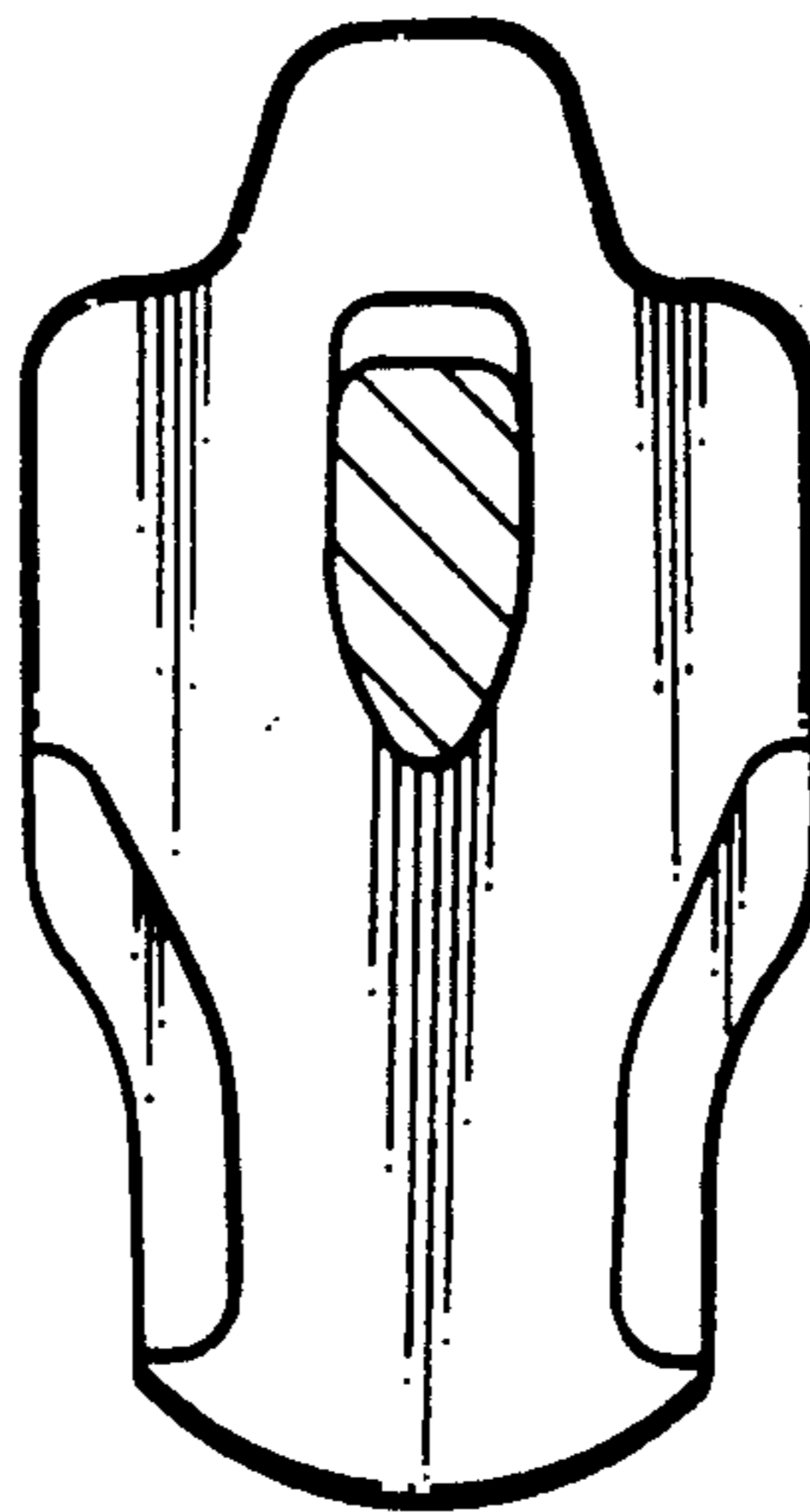


FIG. 11



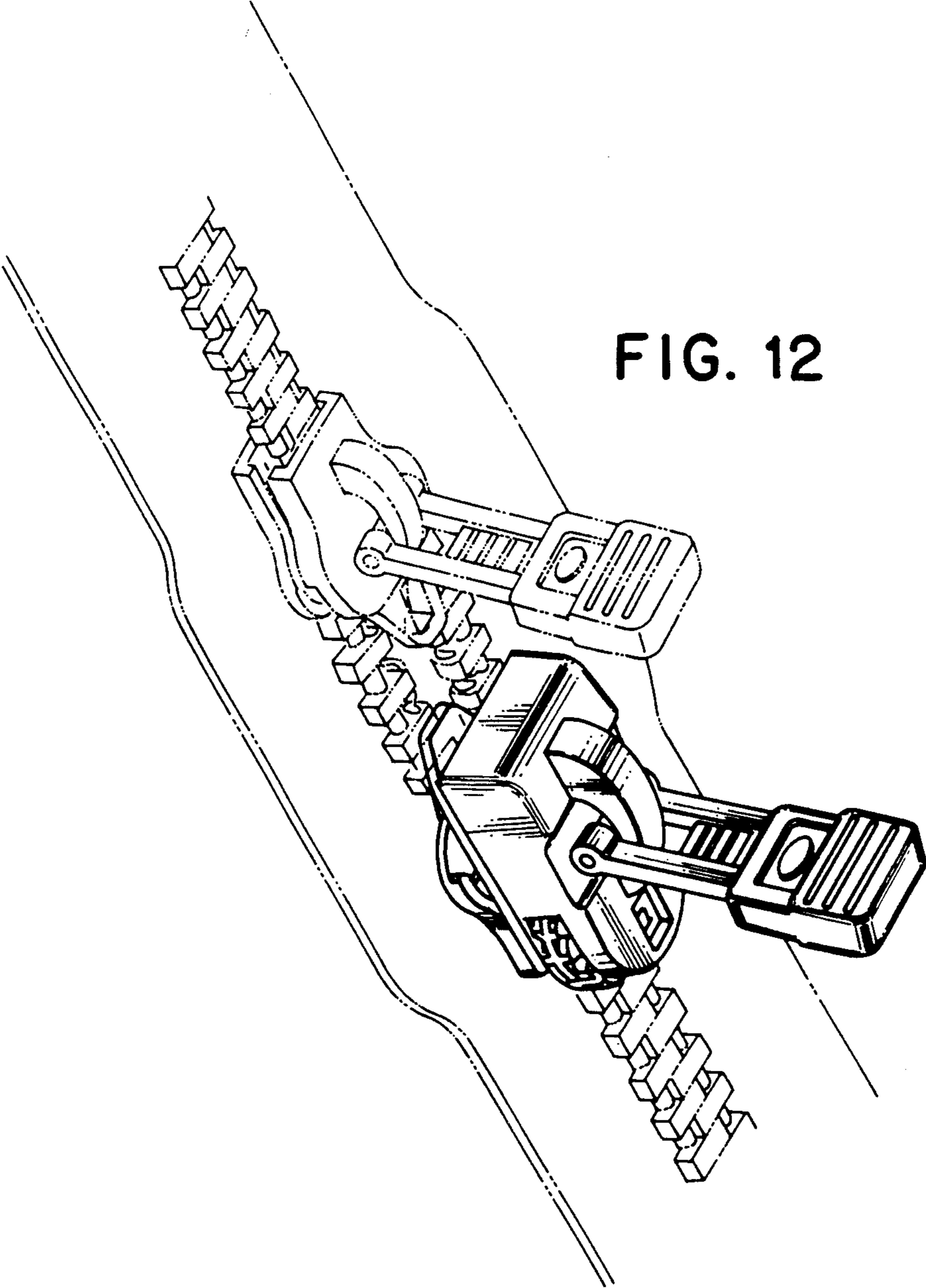


FIG. 12