

[54] **PULL TAB FOR SLIDE FASTENER**
[75] **Inventor: Chiharu Takemura, Kurobe, Japan**
[73] **Assignee: Yoshida Kogyo K.K., Tokyo, Japan**
[**] **Term: 14 Years**
[21] **Appl. No.: 361,115**
[22] **Filed: Jun. 5, 1989**

[30] **Foreign Application Priority Data**
Dec. 8, 1988 [JP] Japan 63-47905
[52] **U.S. Cl. D11/221; D11/200**
[58] **Field of Search D11/200, 201, 221, 212,**
D11/13, 40-47, 79-80, 85-86, 1-4; 24/381-385,
415-417, 427-431; D20/22; 40/301

[56] **References Cited**
U.S. PATENT DOCUMENTS
D. 246,591 12/1977 Sollazzi D20/22
D. 291,671 9/1987 Keyaki D11/221

4,739,565 4/1988 Reggers 40/301

Primary Examiner—A. Hugo Word
Assistant Examiner—R. T. Seifert
Attorney, Agent, or Firm—Hill, Van Santen, Steadman & Simpson

[57] **CLAIM**
The ornamental design for a pull tab for slide fasteners, as shown.

DESCRIPTION

FIG. 1 is a front elevational view of a pull tab for slide fastener showing my new design, the opposite side view being identical;
FIG. 2 is a side elevational view, the opposite side view being identical;
FIG. 3 is a top plan view;
FIG. 4 is a bottom plan view;
FIG. 5 is a sectional view taken along the lines 5—5 of FIG. 1;
FIG. 6 is a sectional view taken along the lines 6—6 of FIG. 2.

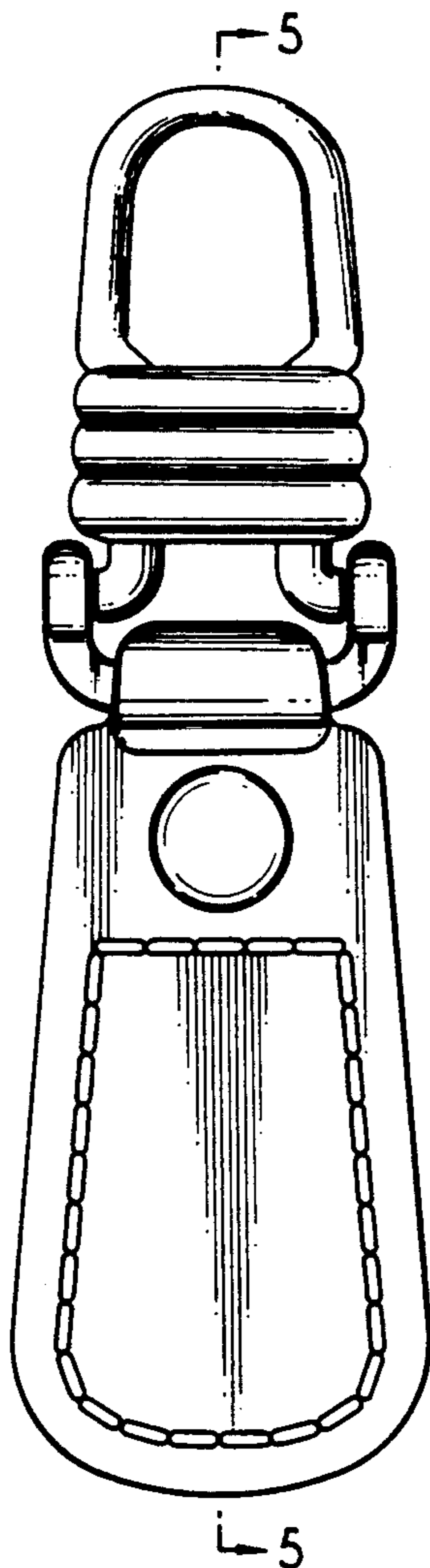


FIG. 1

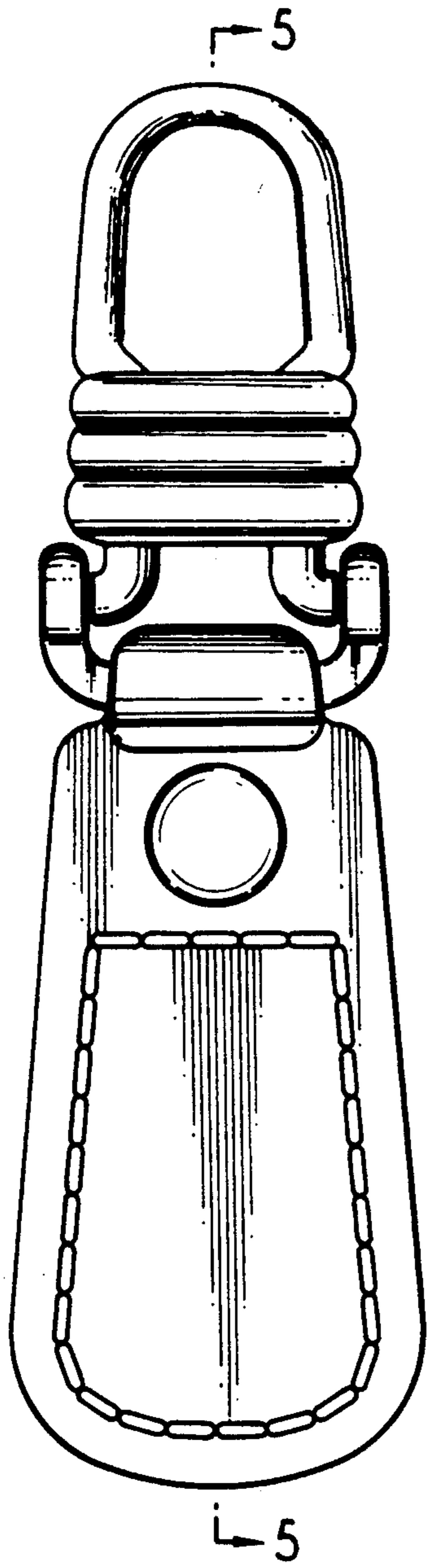


FIG. 2

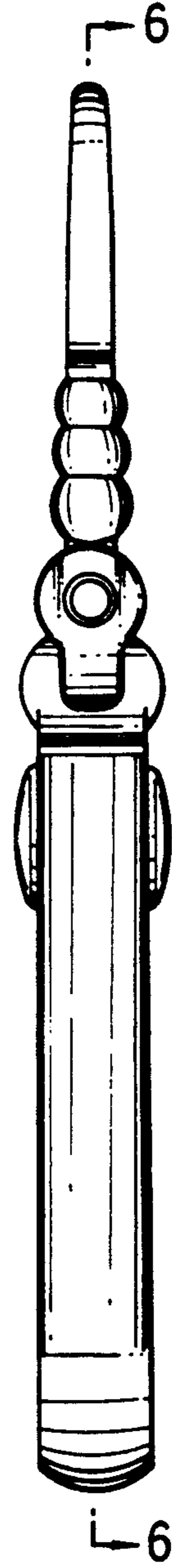


FIG. 3

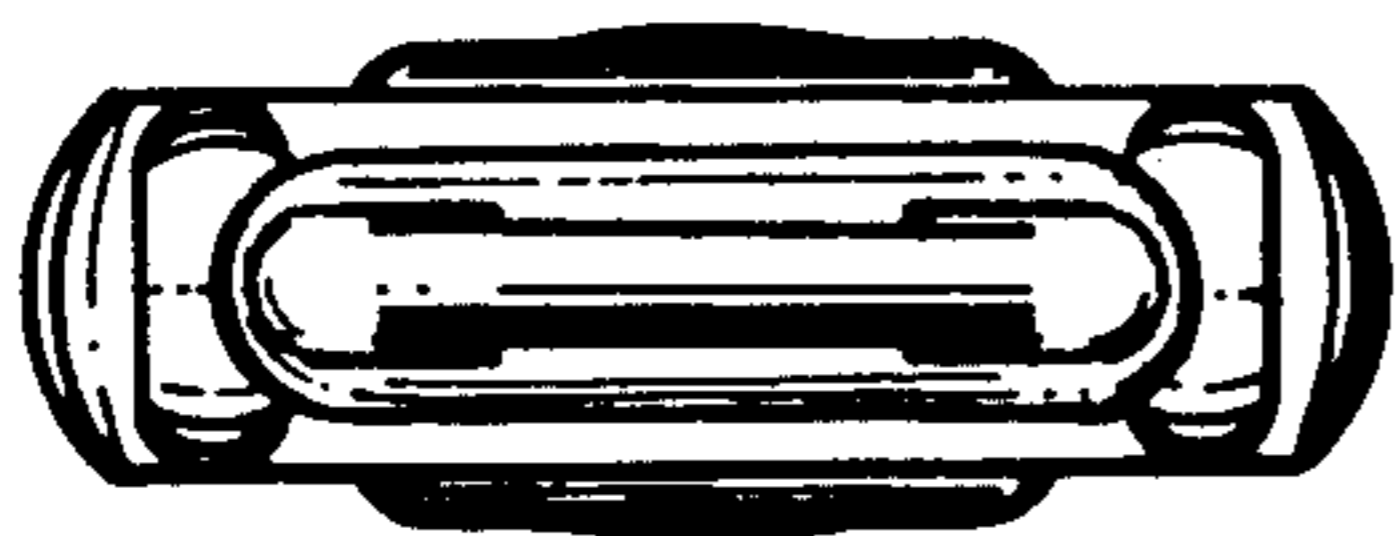


FIG. 4

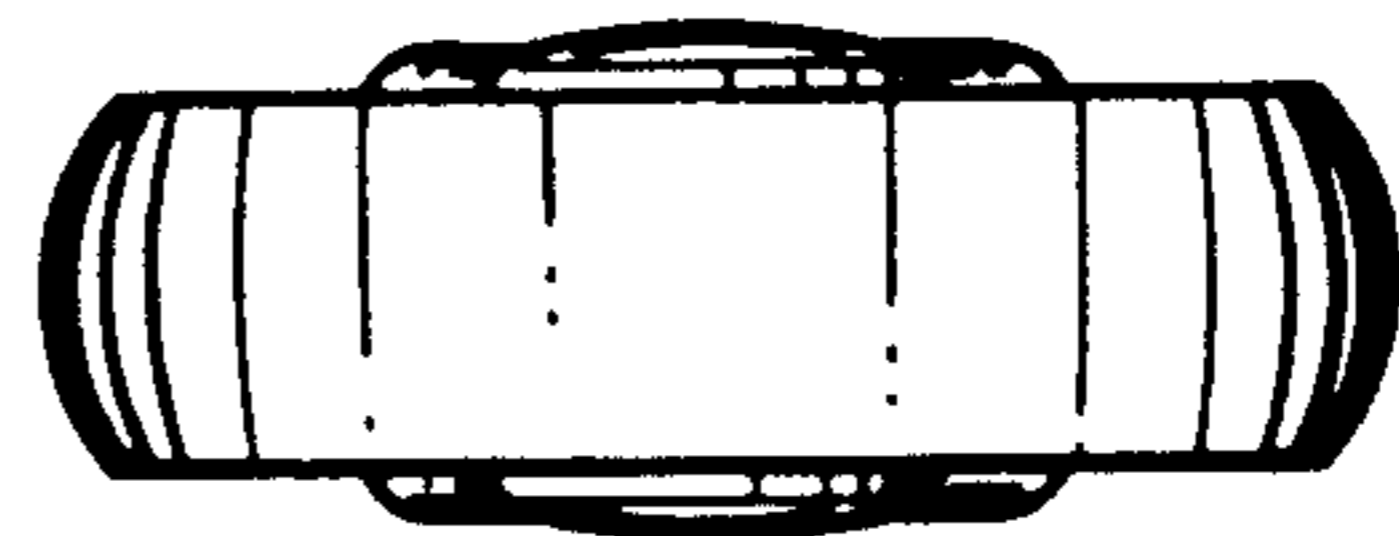


FIG. 5

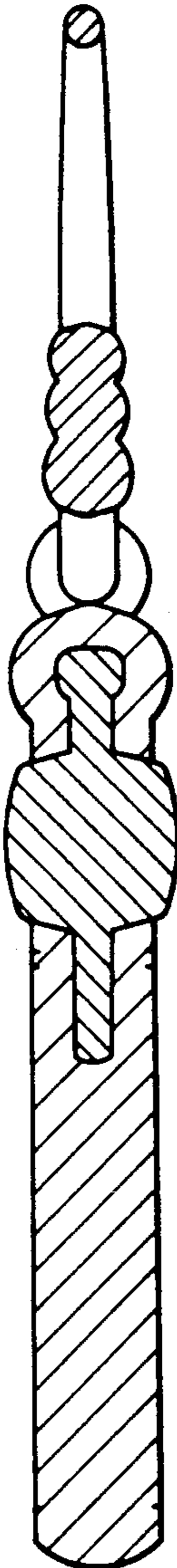


FIG. 6

