

[54] **EARRING**

[75] **Inventor: Paolo Bulgari, Rome, Italy**

[73] **Assignee: Partecipazioni Bulgari S.p.A., Italy**

[**] **Term: 14 Years**

[21] **Appl. No.: 436,017**

[22] **Filed: Nov. 13, 1989**

[30] **Foreign Application Priority Data**

May 23, 1989 [XH] Hague DM013.637

[52] **U.S. Cl. D11/42; D11/40**

[58] **Field of Search D11/1-3,
D11/42-47, 78-79, 85-87, 47, 89-92;
63/12-14.8, 1.1, 2**

[56] **References Cited**

U.S. PATENT DOCUMENTS

D. 294,473 3/1988 Bulgari D11/43

D. 308,650 6/1990 Bulgari D11/42
D. 308,838 6/1990 Bulgari D11/42

Primary Examiner—A. Hugo Word

Assistant Examiner—R. T. Seifert

Attorney, Agent, or Firm—Barnes, Kisselle, Raisch,
Choate, Whittemore & Hulbert

[57] **CLAIM**

The ornamental design for an earring, as shown and described.

DESCRIPTION

FIG. 1 is a front elevational view of an earring showing my new design;

FIG. 2 is a right side elevational view;

FIG. 3 is a rear elevational view;

FIG. 4 is a left side elevational view;

FIG. 5 is a top plan view;

FIG. 6 is a bottom plan view; and

FIG. 7 is a front perspective view.

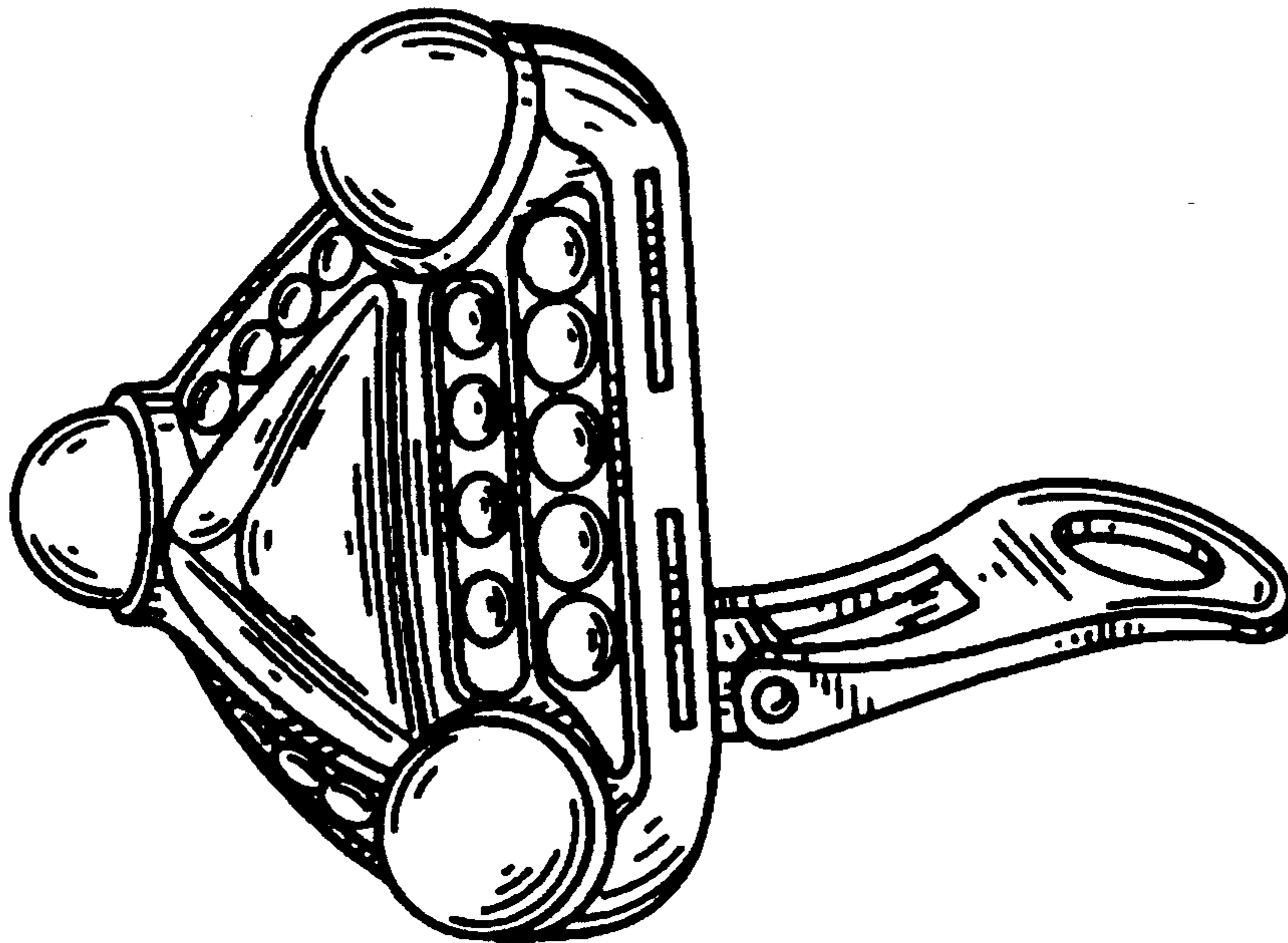


FIG.1

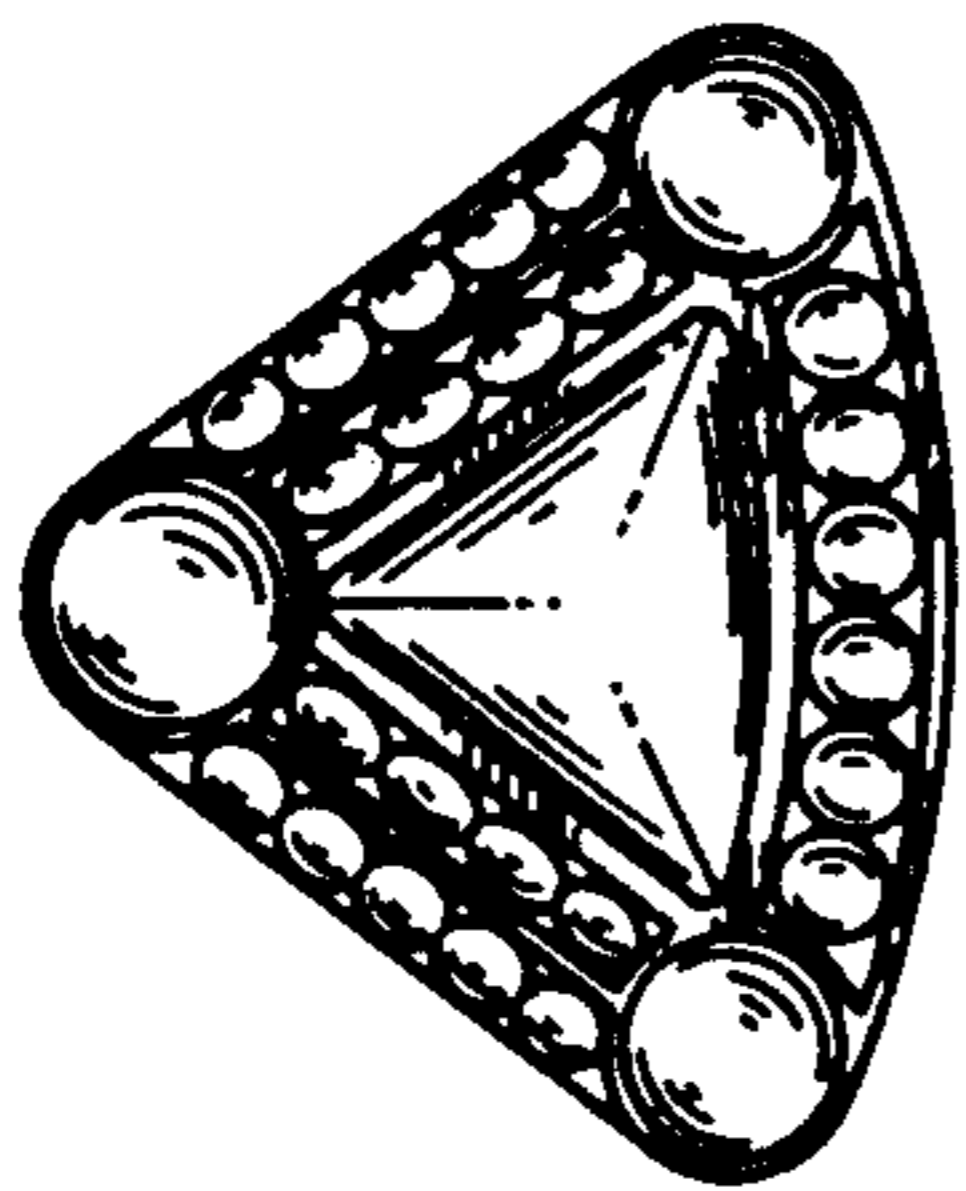


FIG.2

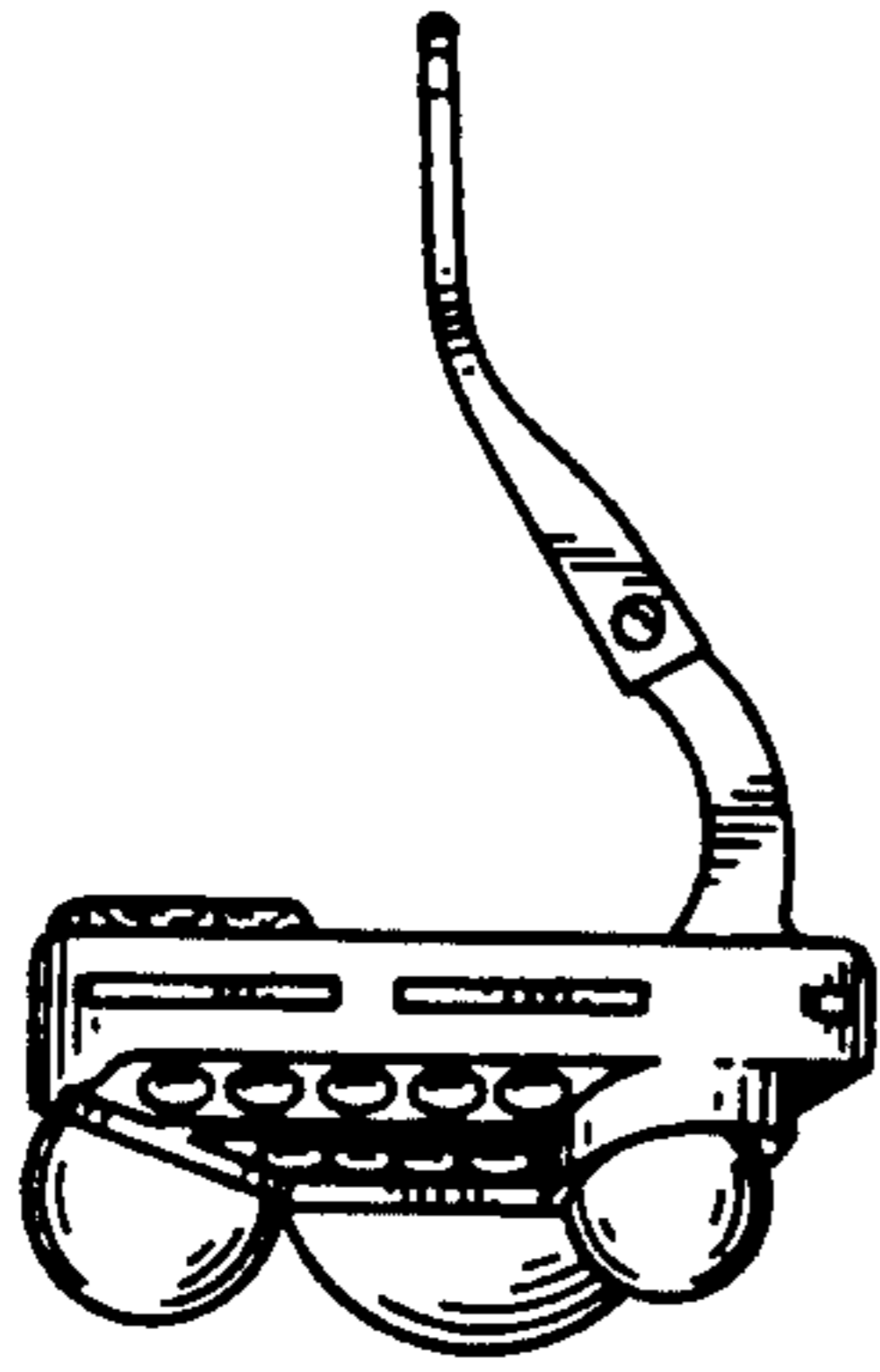


FIG.3

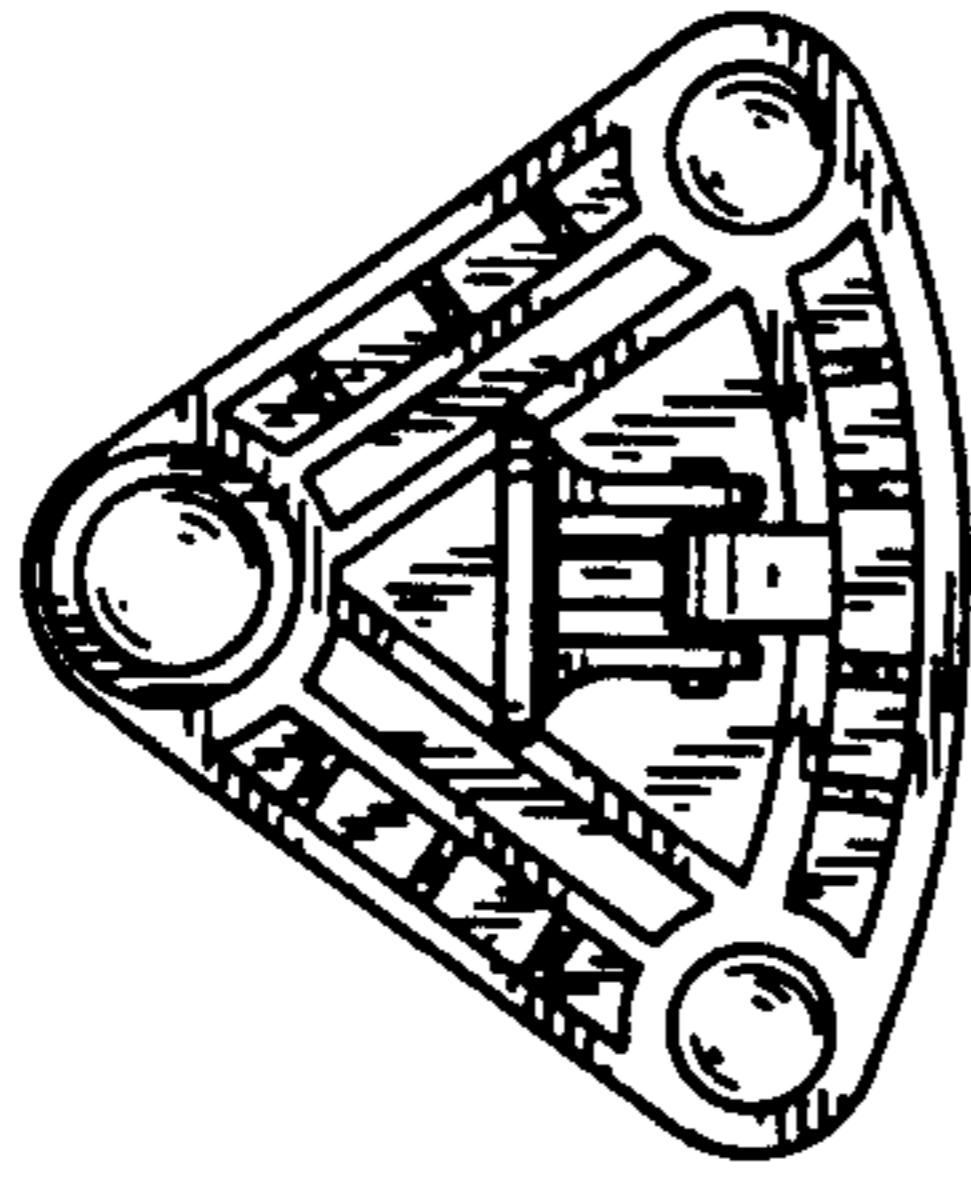


FIG.4

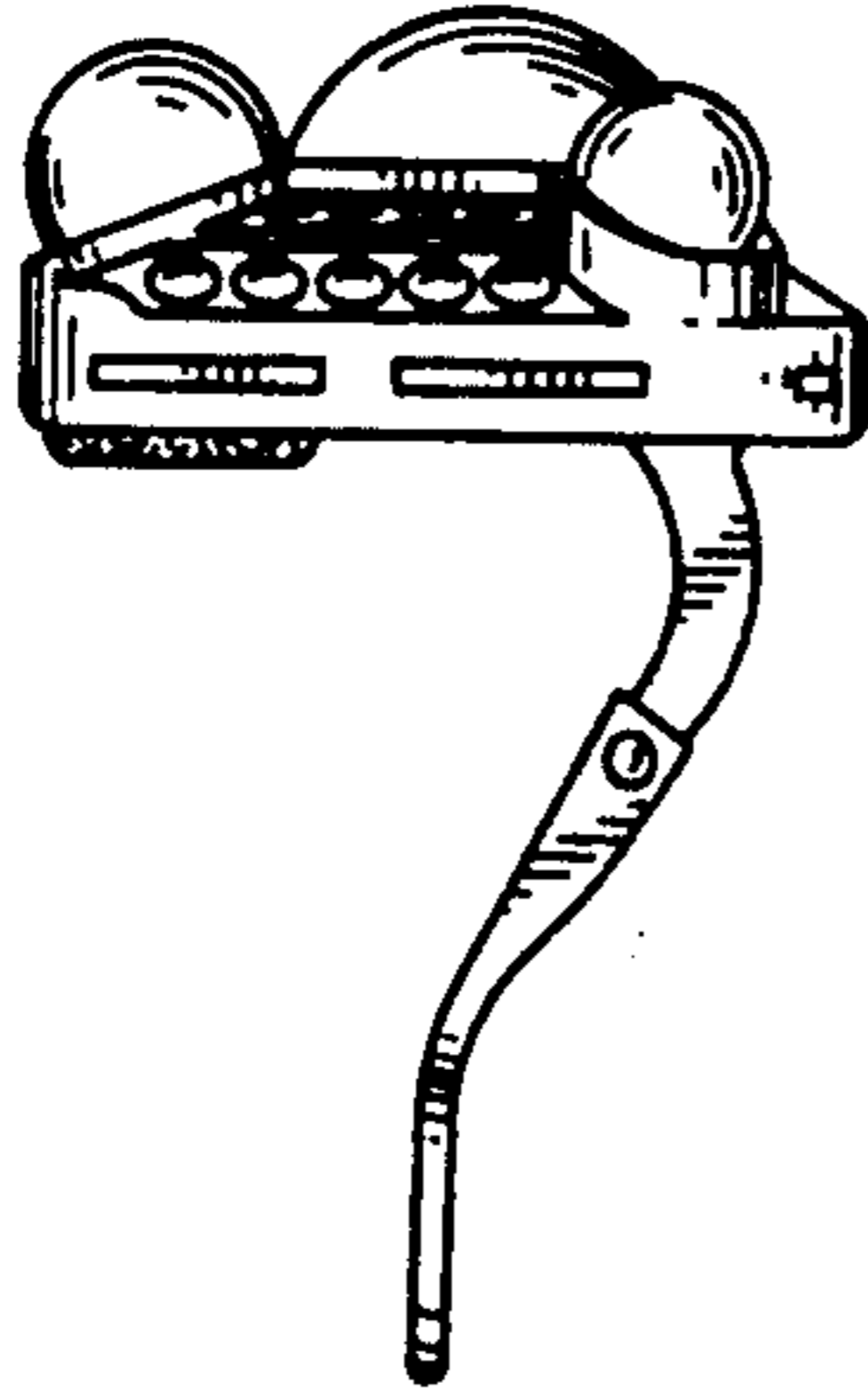


FIG.5

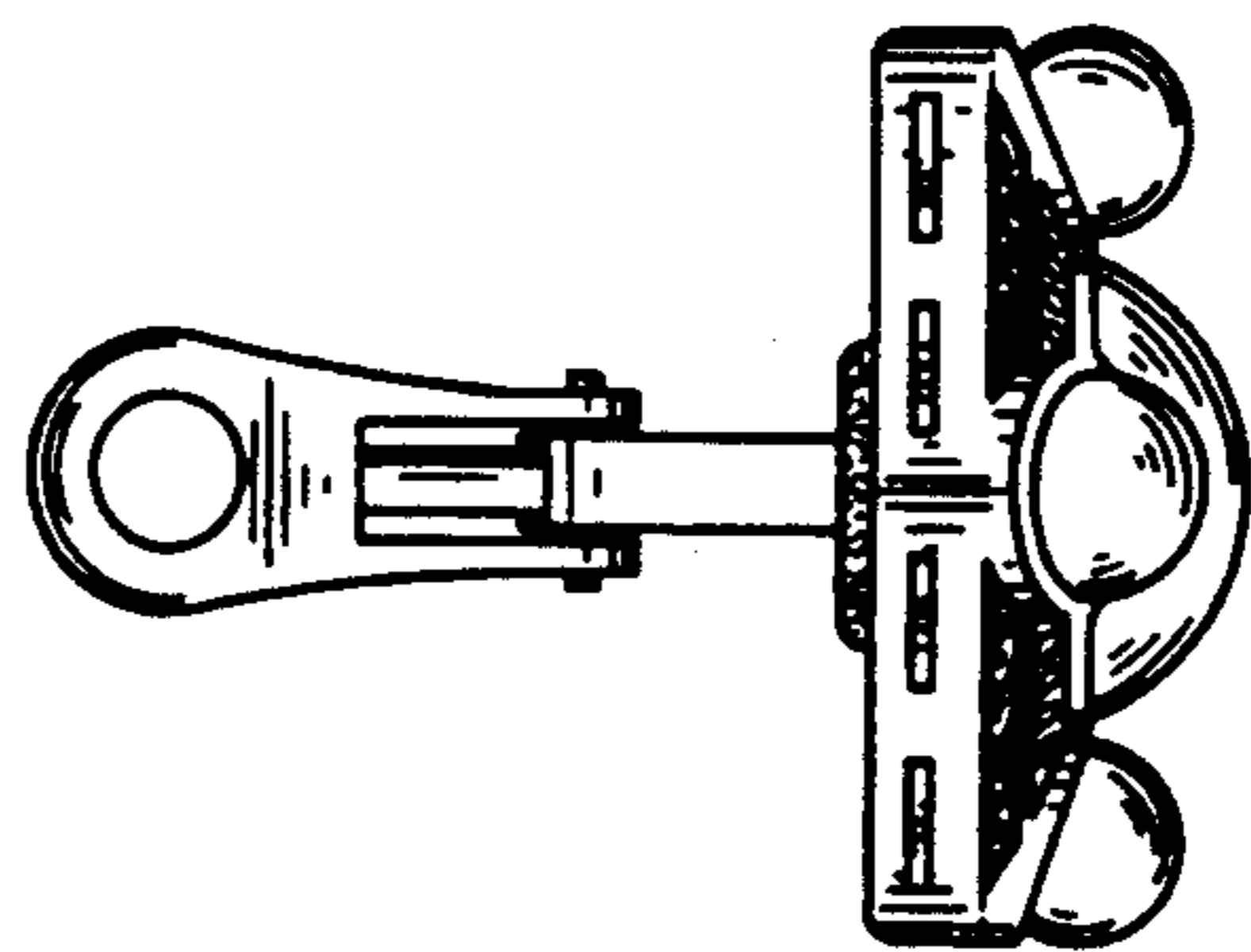


FIG.6

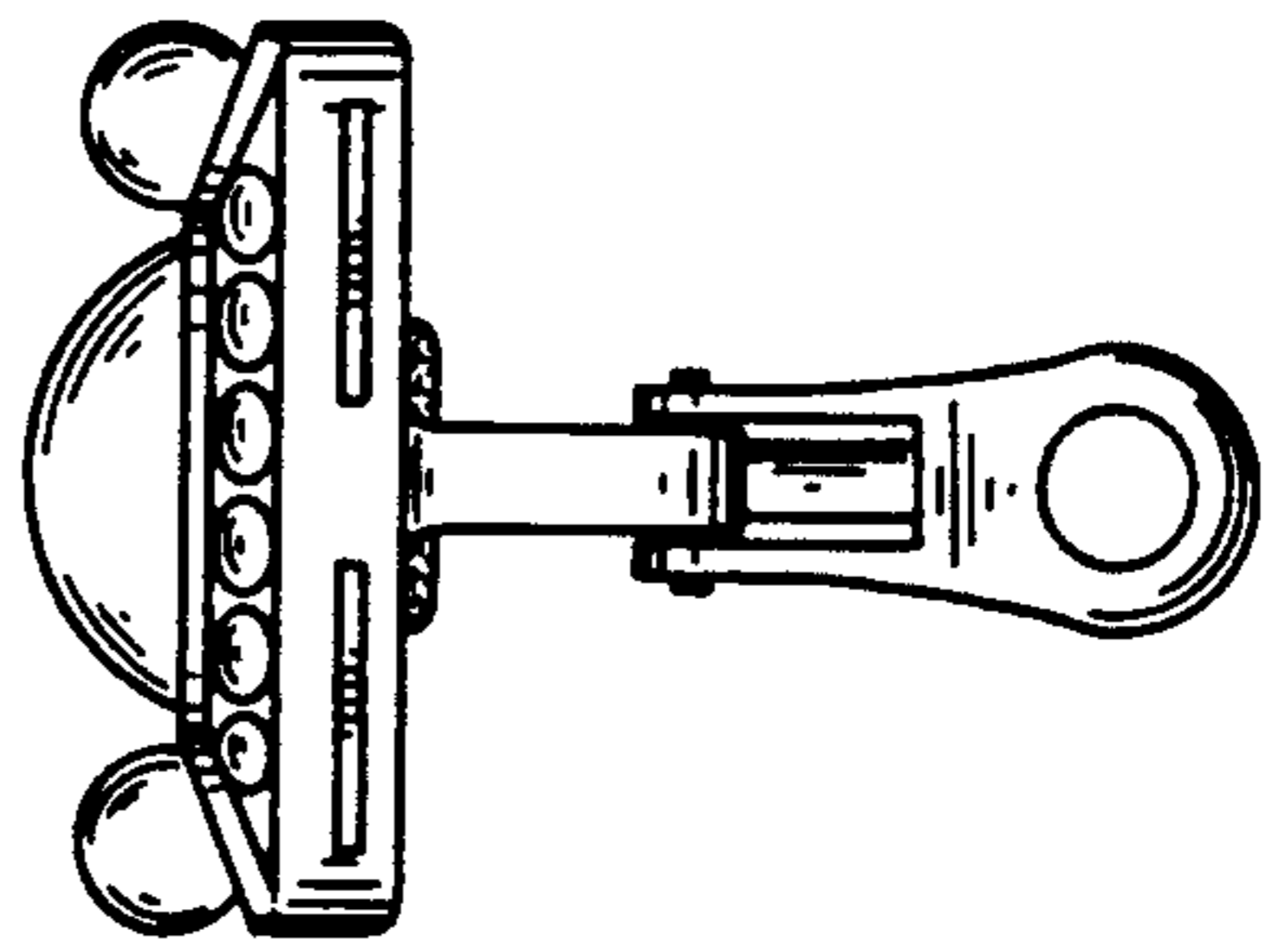


FIG.7

