

[54] COMBINED TRANSMITTER BUOY AND BRACKET THEREFOR

[75] Inventors: Peter W. Bressler, Philadelphia; Albert C. Paulowitz, Kennett Square; David R. Schiff, Philadelphia; Thomas R. Krishan, Newtown Square, all of Pa.

[73] Assignee: Litton Systems, Inc., Springfield, Pa.

[**] Term: 14 Years

[21] Appl. No.: 332,321

[22] Filed: Mar. 31, 1989

[52] U.S. Cl. D10/107

[58] Field of Search D10/104, 106, 107; 441/1, 6, 11, 13; 116/107

[56] References Cited

U.S. PATENT DOCUMENTS

63,796 1/1924 Mulholland D10/107
D. 291,289 8/1987 Leo D10/107

D. 397,844 4/1946 Dewhurst D10/107
2,572,676 10/1951 Swyers 441/6
3,506,841 4/1970 Majkrzak 441/11
3,702,014 11/1972 Rabon et al. 441/6
4,669,989 6/1987 Havlick 441/1
4,927,394 5/1990 Galgana 441/1

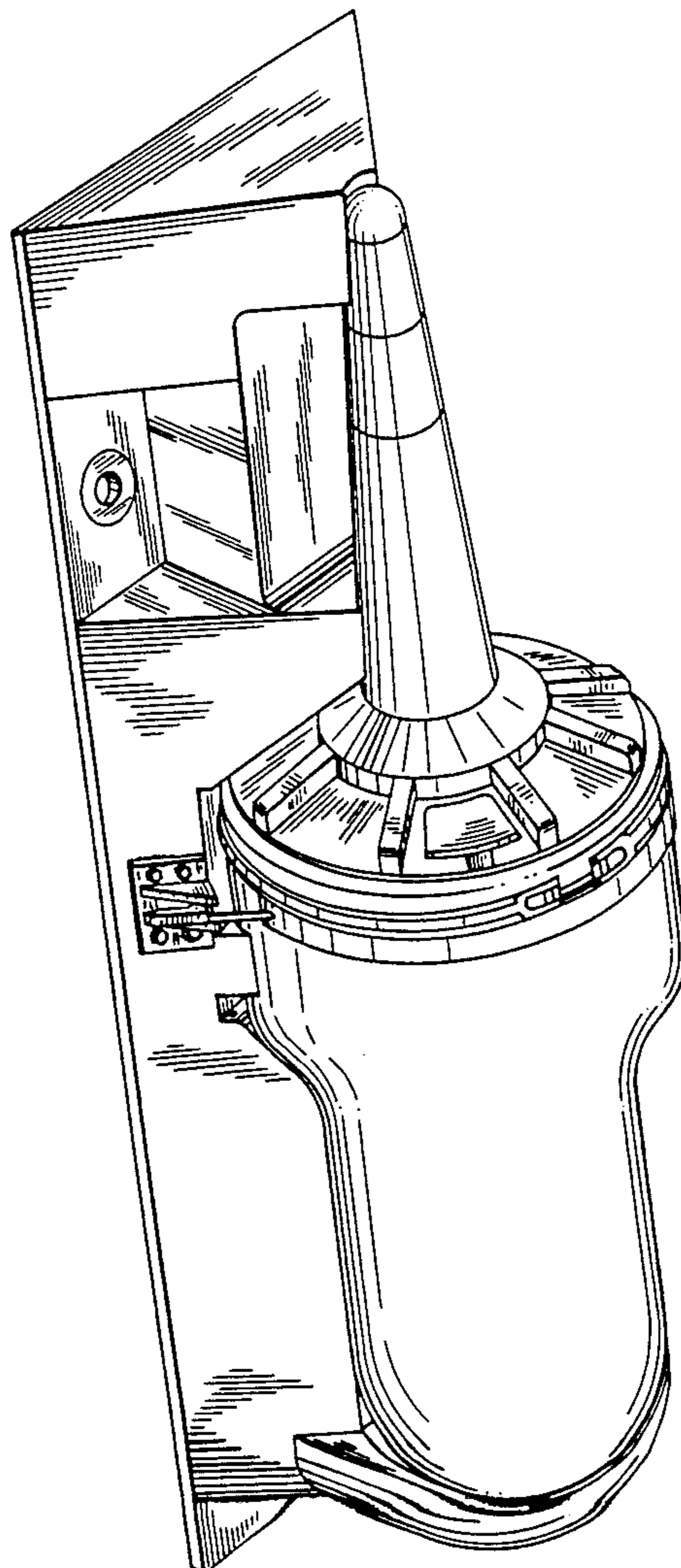
Primary Examiner—Wallace R. Burke
Assistant Examiner—Marcus Jackson
Attorney, Agent, or Firm—Brian L. Ribando

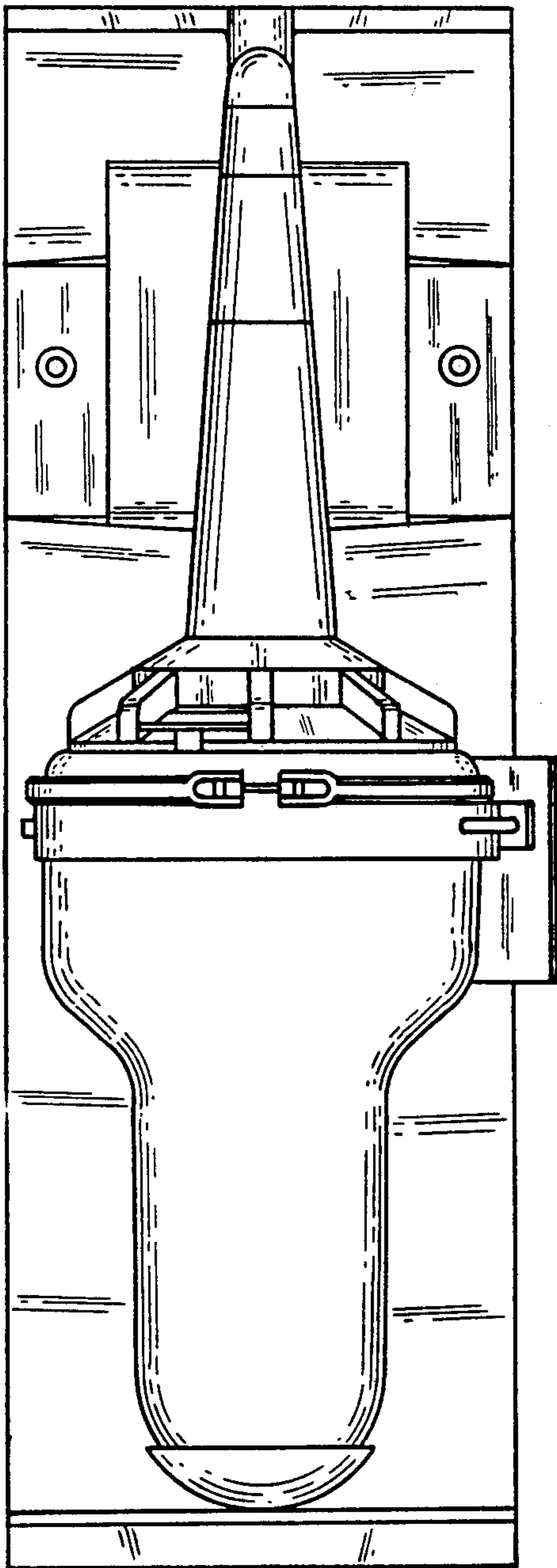
[57] CLAIM

The ornamental design for the combined transmitter buoy and bracket therefor, as shown and described.

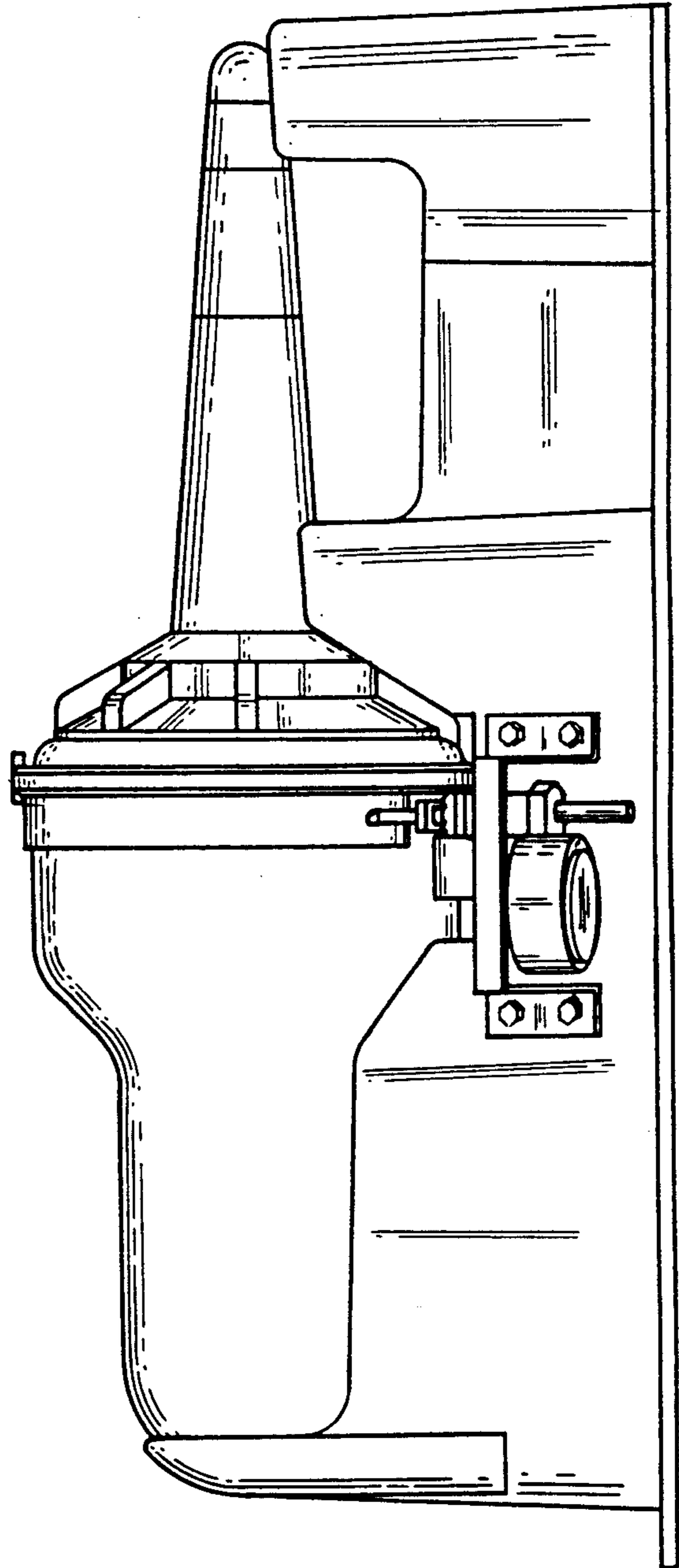
DESCRIPTION

FIG. 1 is a front elevational view of a combined transmitter buoy and bracket therefor showing my new design; FIG. 2 is a right side elevational view thereof; FIG. 3 is a left side elevational view thereof; FIG. 4 is a top plan view thereof; and FIG. 5 is a top perspective view thereof as seen from the left side.





Fig_1



Fig_2

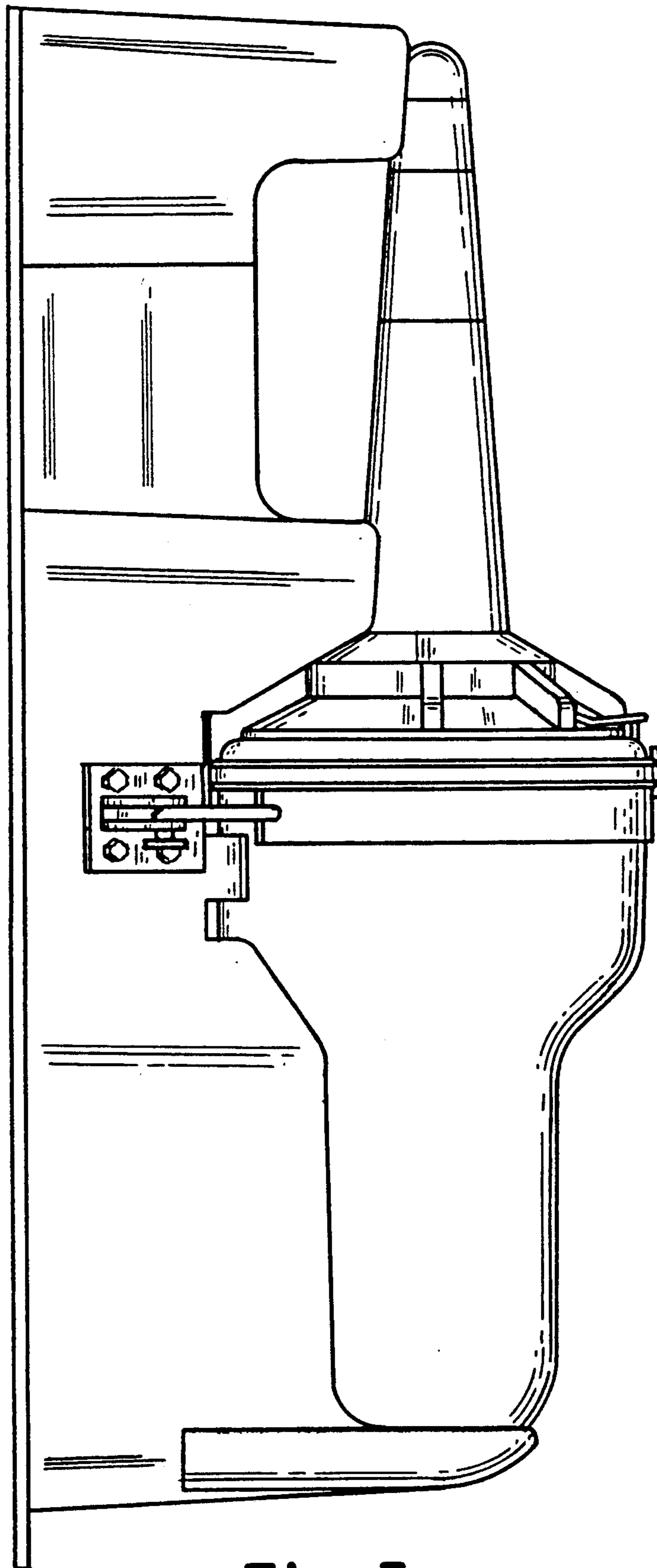
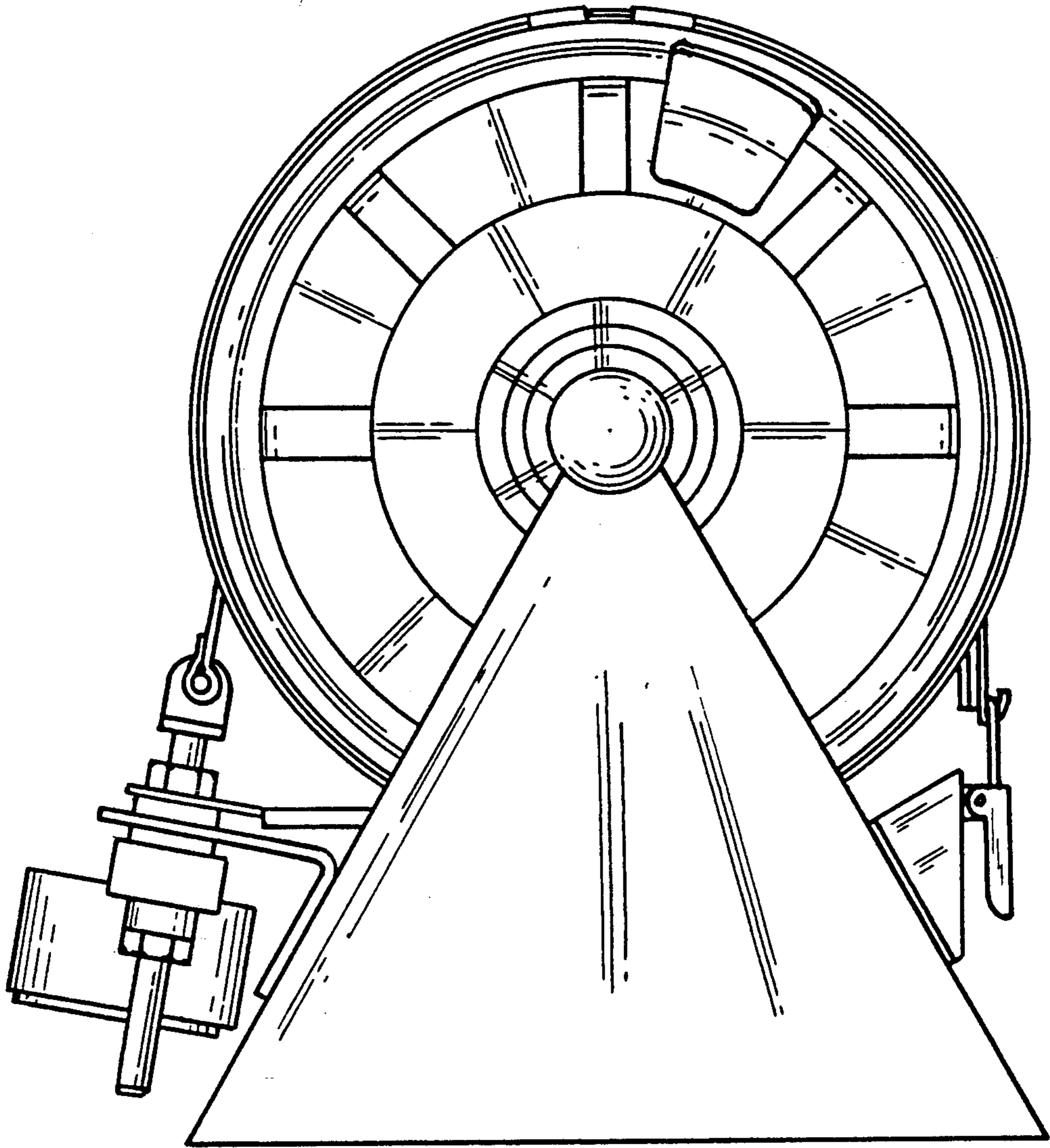


Fig-3



Fig_4

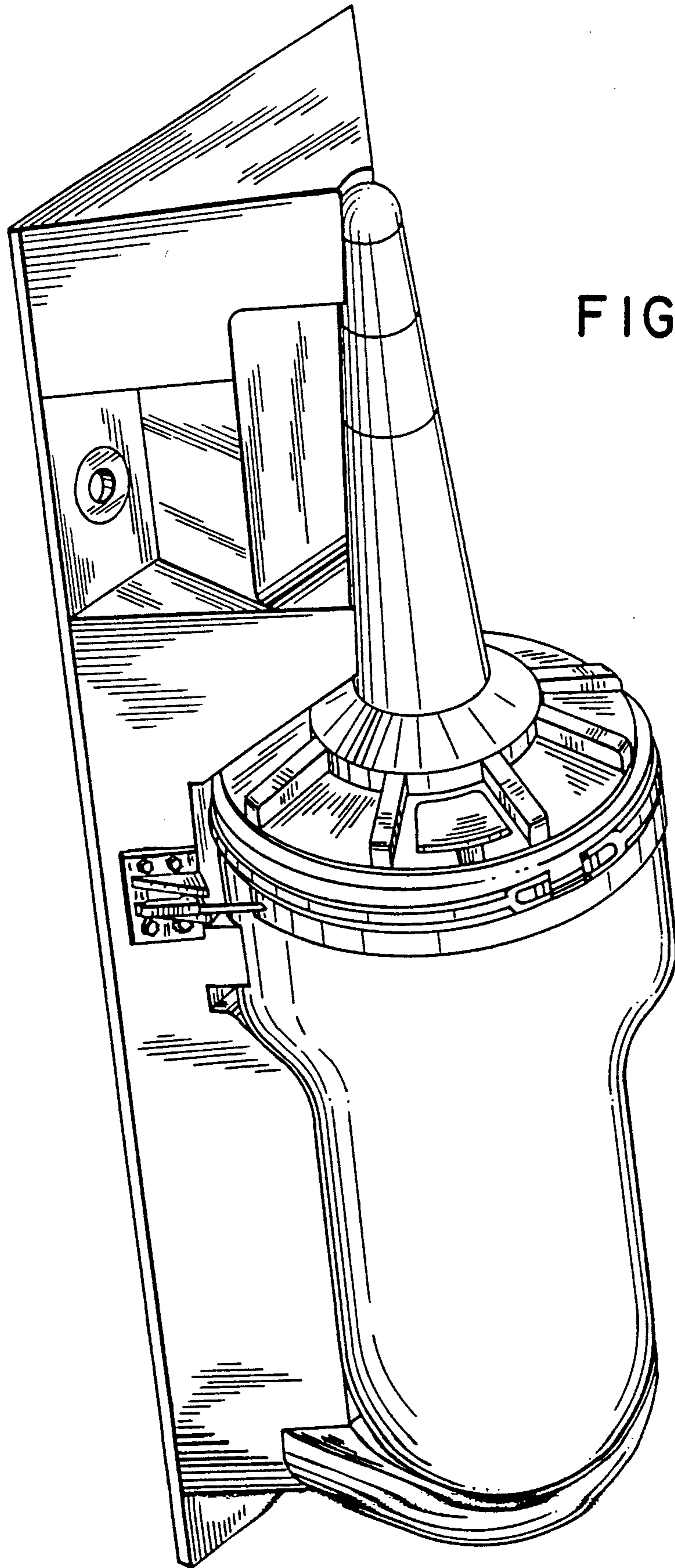


FIG. 5