

[54] **BELT LOOP WATCH**

[76] **Inventor: Richard Hiles, 2870 Maysville Pike, Lot #54, Zanesville, Ohio 43701**

[**] **Term: 14 Years**

[21] **Appl. No.: 294,136**

[22] **Filed: Jan. 6, 1989**

[52] **U.S. Cl. D10/31**

[58] **Field of Search D10/30, 31, 32, 38, D10/37, 39, 122-126; D11/1-4, 79; 224/164-180; 368/223-225, 239-242, 276-278, 280-283, 285, 294-296, 301**

[56] **References Cited**

U.S. PATENT DOCUMENTS

D. 240,605	7/1976	Sticker	D10/38
D. 265,552	7/1982	Dumas-Hermes	D10/39
D. 265,632	8/1982	Dumas-Hermes	D10/39
D. 286,755	11/1986	Manfredi	D10/39
D. 301,693	6/1989	Canta	D10/39
1,260,539	3/1918	Hertz	368/278

OTHER PUBLICATIONS

Viewer's Circular & Keystone, Watch; ©1987, p. 32.

Primary Examiner—Nelson C. Holtje
Assistant Examiner—Antoine D. Davis
Attorney, Agent, or Firm—Biebel & French

[57] **CLAIM**

The ornamental design for a belt loop watch, as shown.

DESCRIPTION

FIG. 1 is a front elevational view of a belt loop watch showing my new design;
 FIG. 2 is a left side elevational view;
 FIG. 3 is a right side elevational view;
 FIG. 4 is a rear elevational view;
 FIG. 5 is a bottom plan view;
 FIG. 6 is a top plan view;
 FIG. 7 is a front elevational view of a second embodiment of my new design of FIGS. 1-6;
 FIG. 8 is a left side elevational view;
 FIG. 9 is a right side elevational view;
 FIG. 10 is a rear elevational view;
 FIG. 11 is a bottom plan view; and
 FIG. 12 is a top plan view thereof.

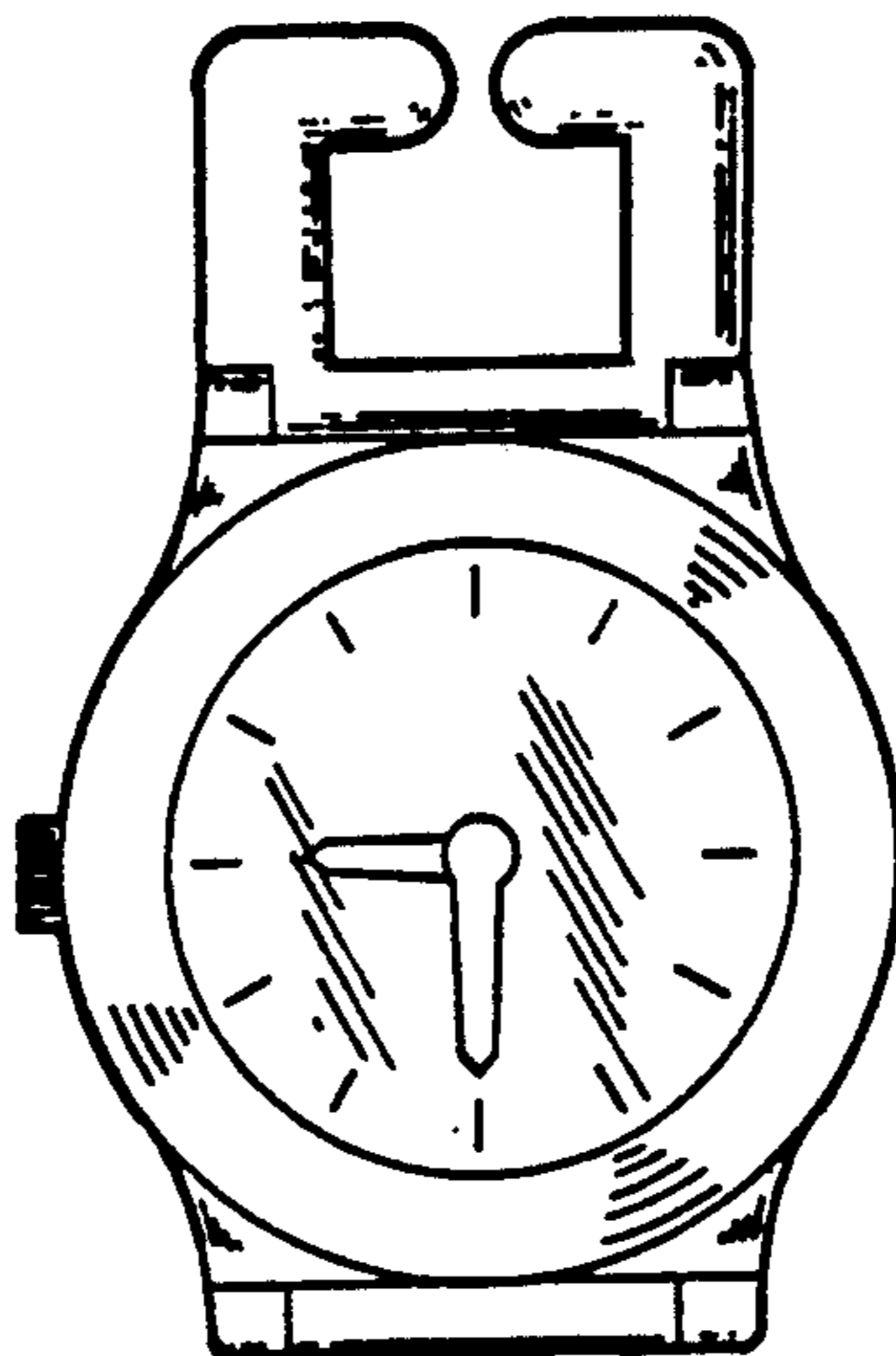


FIG-1

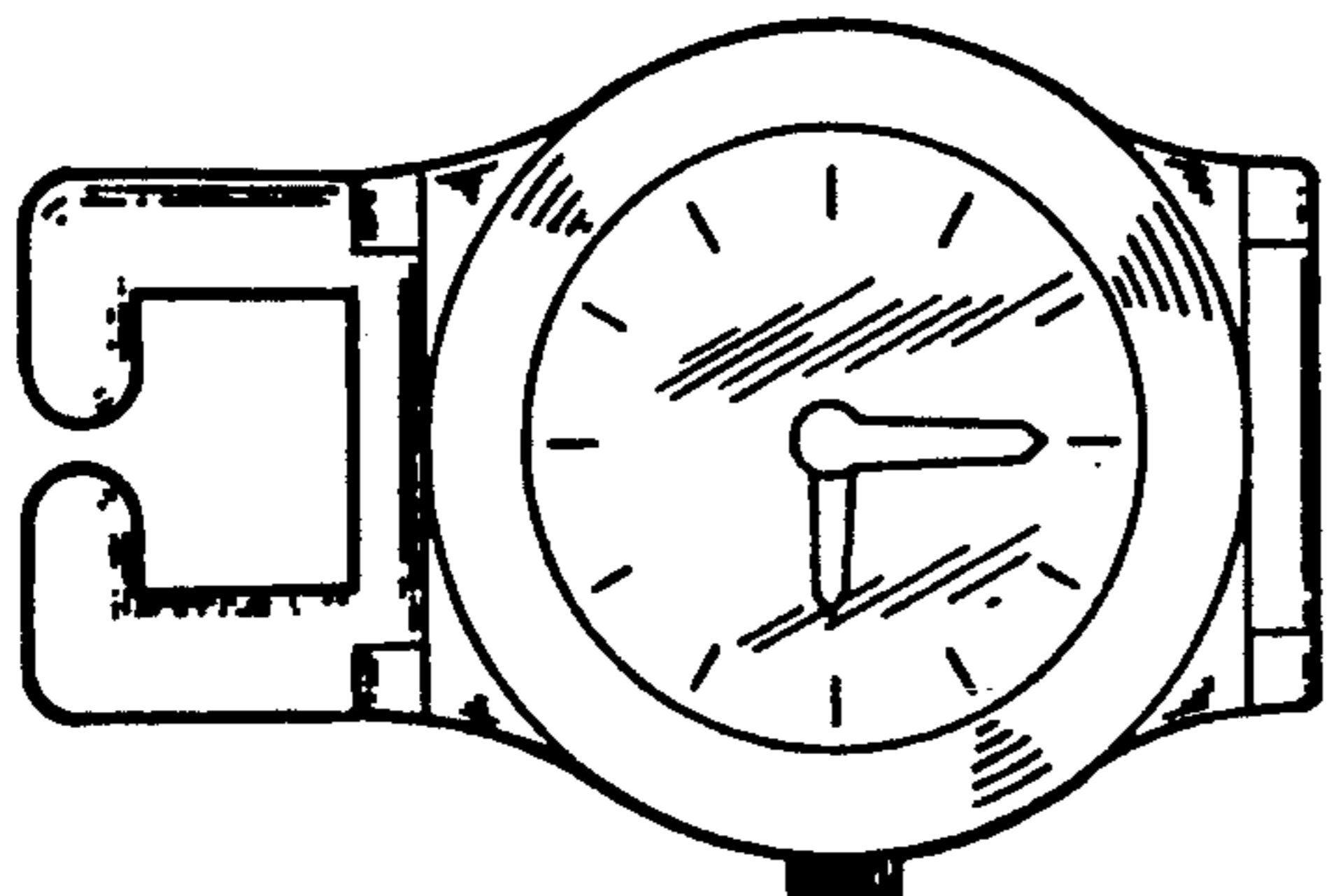


FIG-2



FIG-3

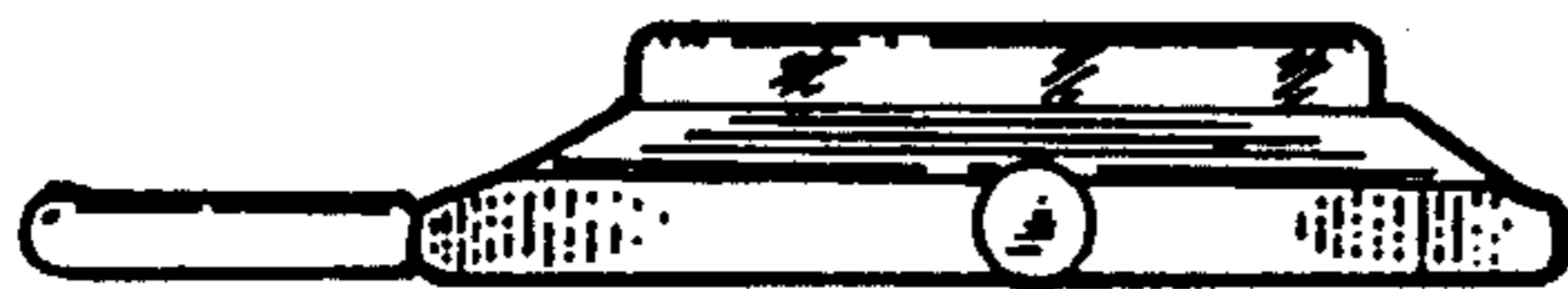


FIG-4

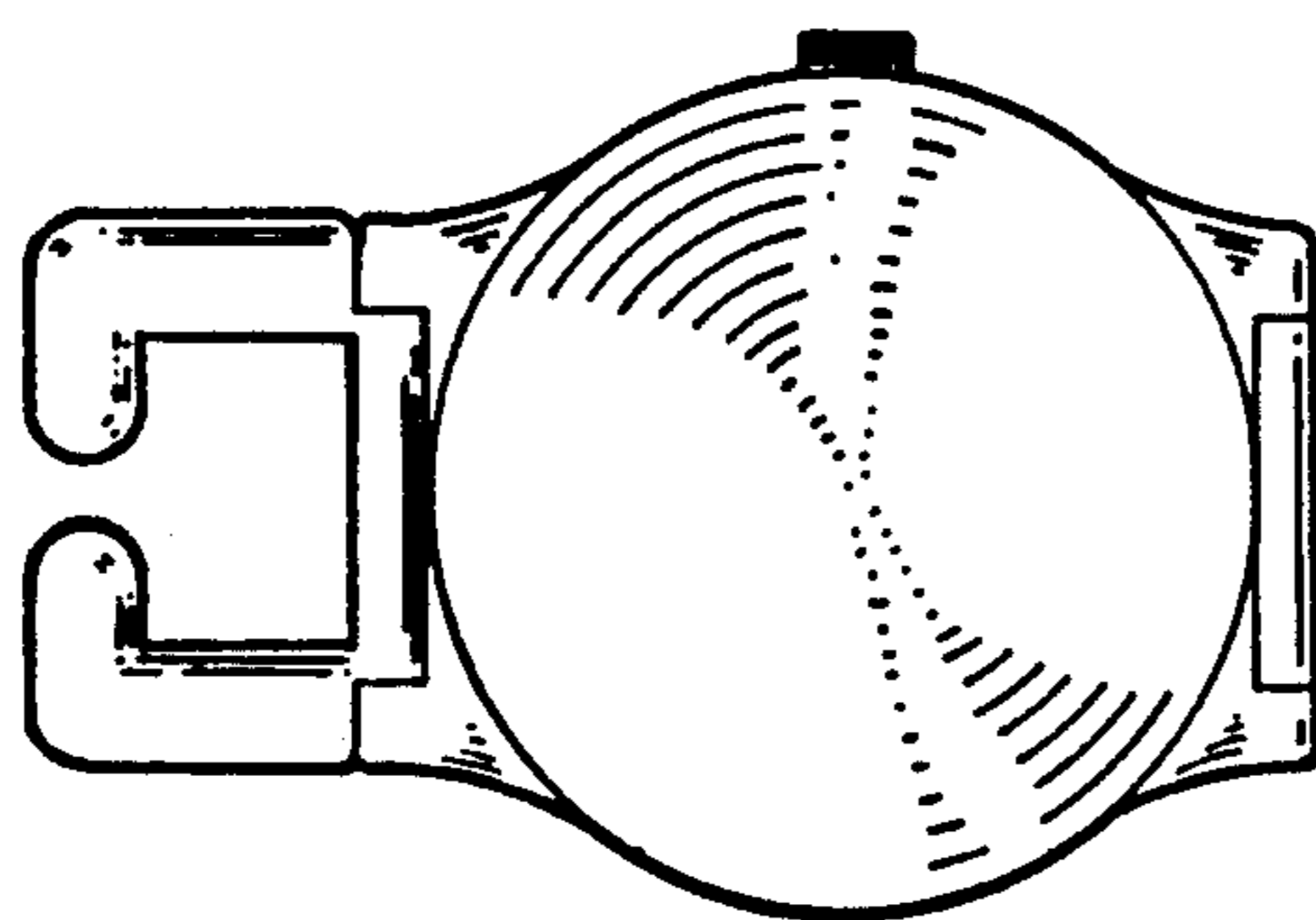


FIG-5



FIG-6



FIG-7

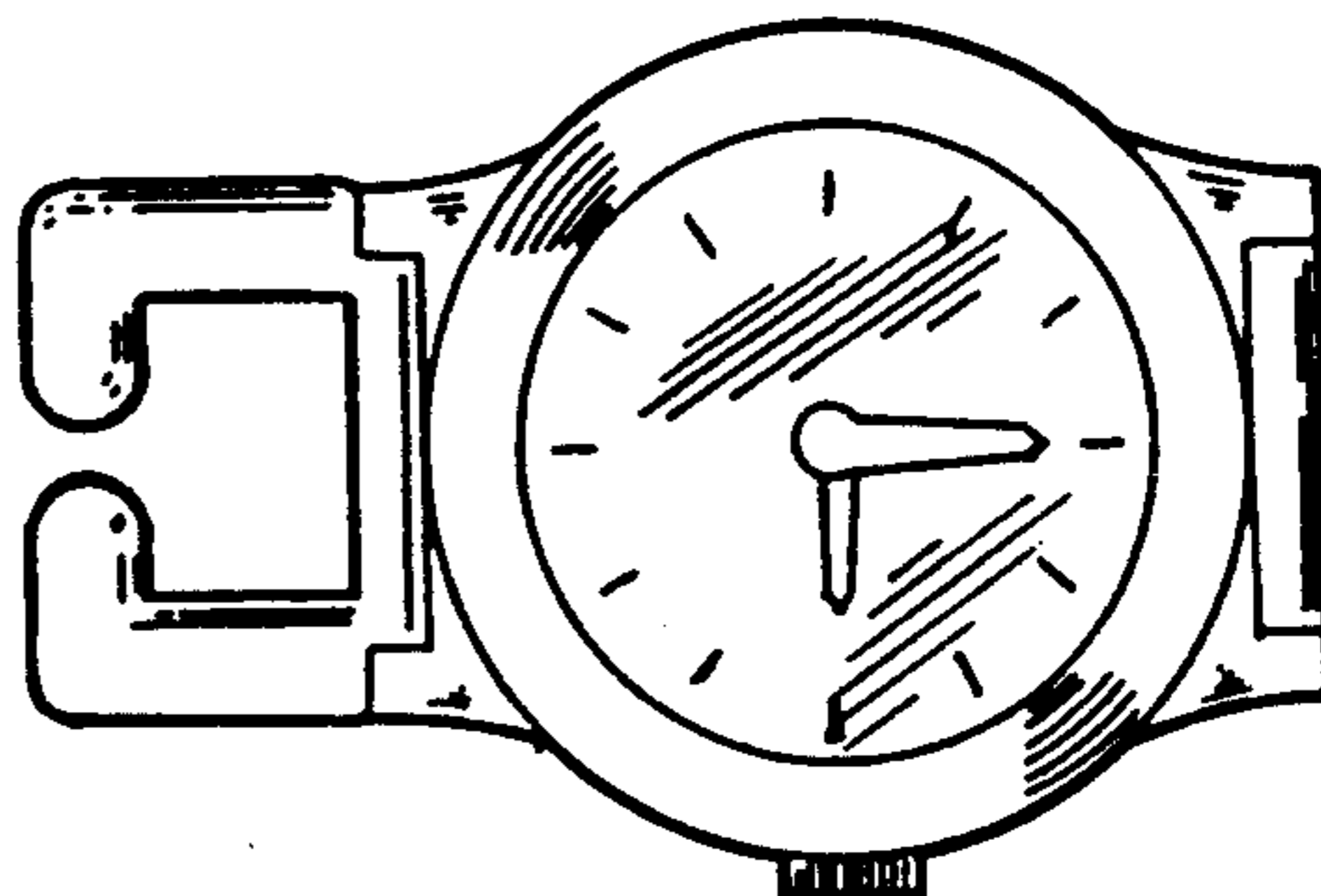


FIG-8



FIG-9



FIG-10

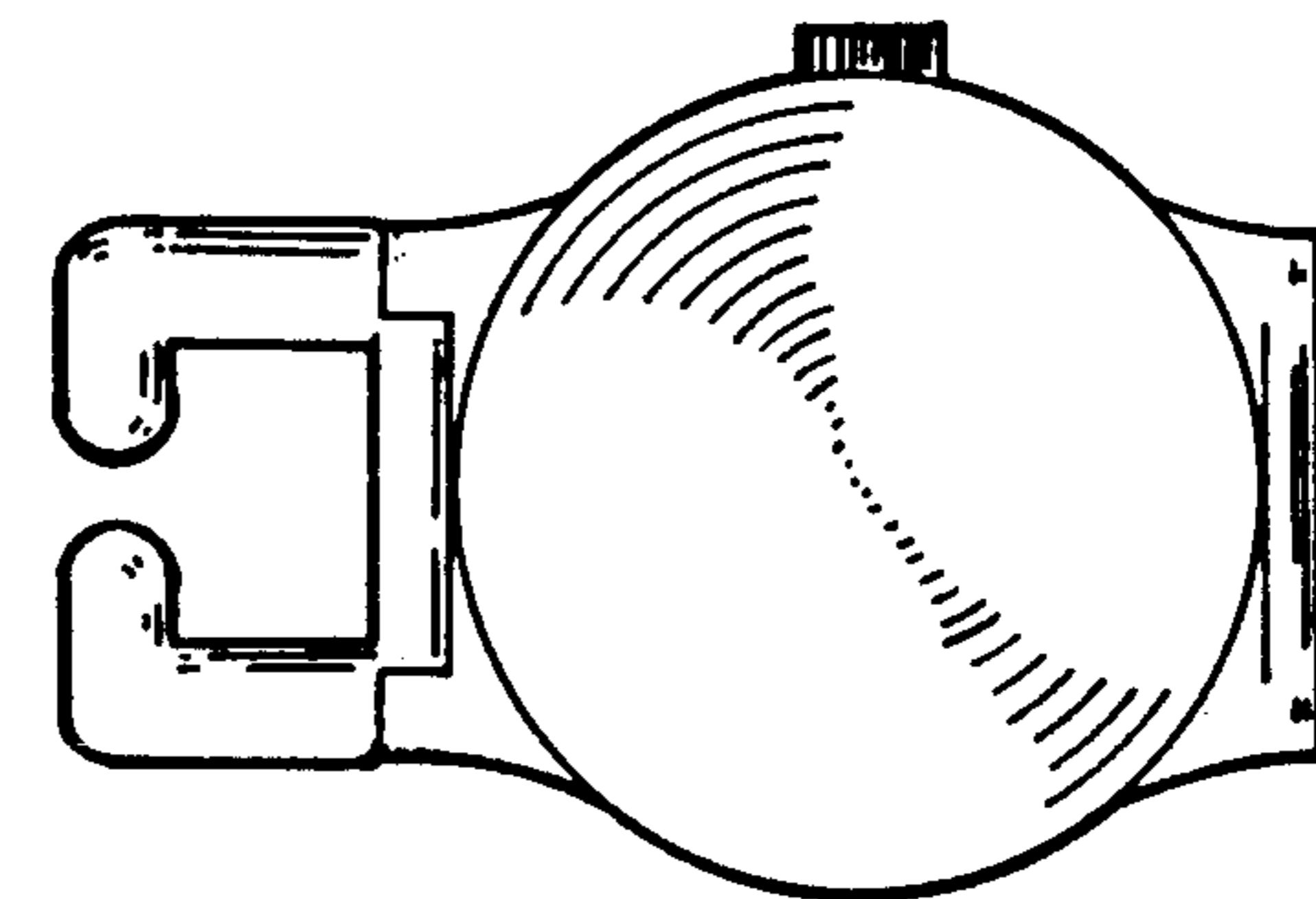


FIG-11



FIG-12

