

United States Patent [19]

Lillelund et al.

[11] Patent Number: **Des. 320,942**

[45] Date of Patent: **** Oct. 22, 1991**

[54] **DIVIDED INSERT FOR A CONTAINER**

[76] Inventors: **Stig Lillelund, Gardenhøjvej 33;
Eskil H. Olsen, C.L. Ibsensvej 48,
both of DK-2800 Gentofte, Denmark**

[**] Term: **14 Years**

[21] Appl. No.: **359,054**

[22] Filed: **May 26, 1989**

[52] U.S. Cl. **D9/456; D9/434**

[58] Field of Search **D9/341, 434, 455, 456;
220/528; 206/538, 814**

[56] **References Cited**

U.S. PATENT DOCUMENTS

D. 29,299	9/1898	Barkley	D9/456
D. 72,249	3/1927	Orzo	D9/341 X
D. 193,119	6/1962	Bostrom	D9/341
D. 238,931	2/1976	DuMolin	D9/341
D. 286,019	10/1986	Fishman et al.	D9/341
909,715	2/1909	Troegeler	220/528 X

1,760,761	5/1930	March	220/528 X
2,075,473	3/1937	Schroary et al.	D9/456 X
3,070,226	12/1962	Mathison	220/528 X
3,675,620	7/1972	Baustin	206/538 X
4,261,468	4/1981	Krebs	206/538

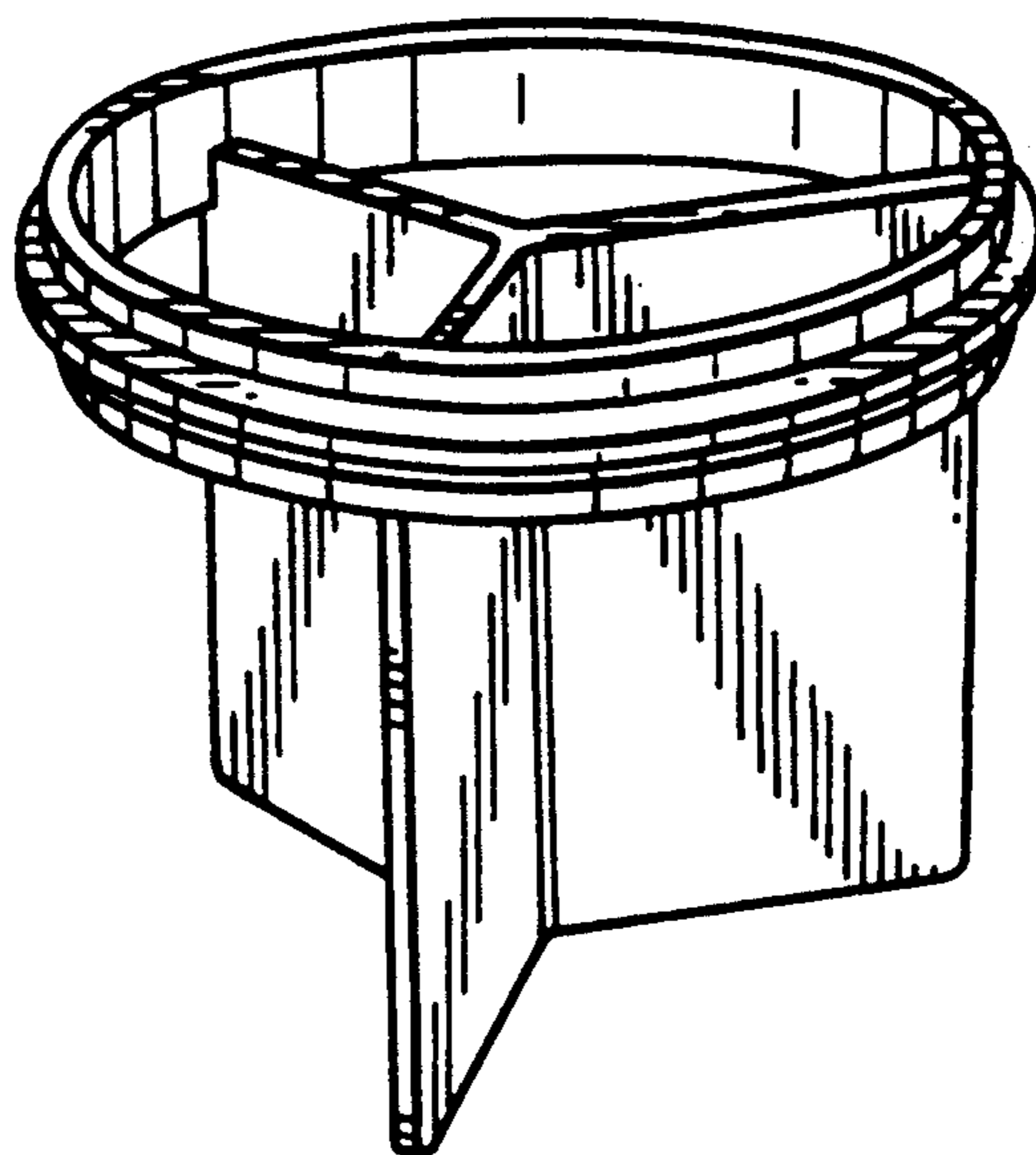
Primary Examiner—B. J. Bullock
Assistant Examiner—Dominic Simone
Attorney, Agent, or Firm—John A. Doninger

[57] **CLAIM**

The ornamental design for a divided insert for a container, as shown.

DESCRIPTION

FIG. 1 is a top perspective view of the divided insert for a container showing our new design;
FIG. 2 is a front elevational view thereof;
FIG. 3 is a rear elevational view thereof;
FIG. 4 is a left side elevational view thereof;
FIG. 5 is a right side elevational view thereof;
FIG. 6 is a top plan view thereof; and
FIG. 7 is a bottom plan view thereof.



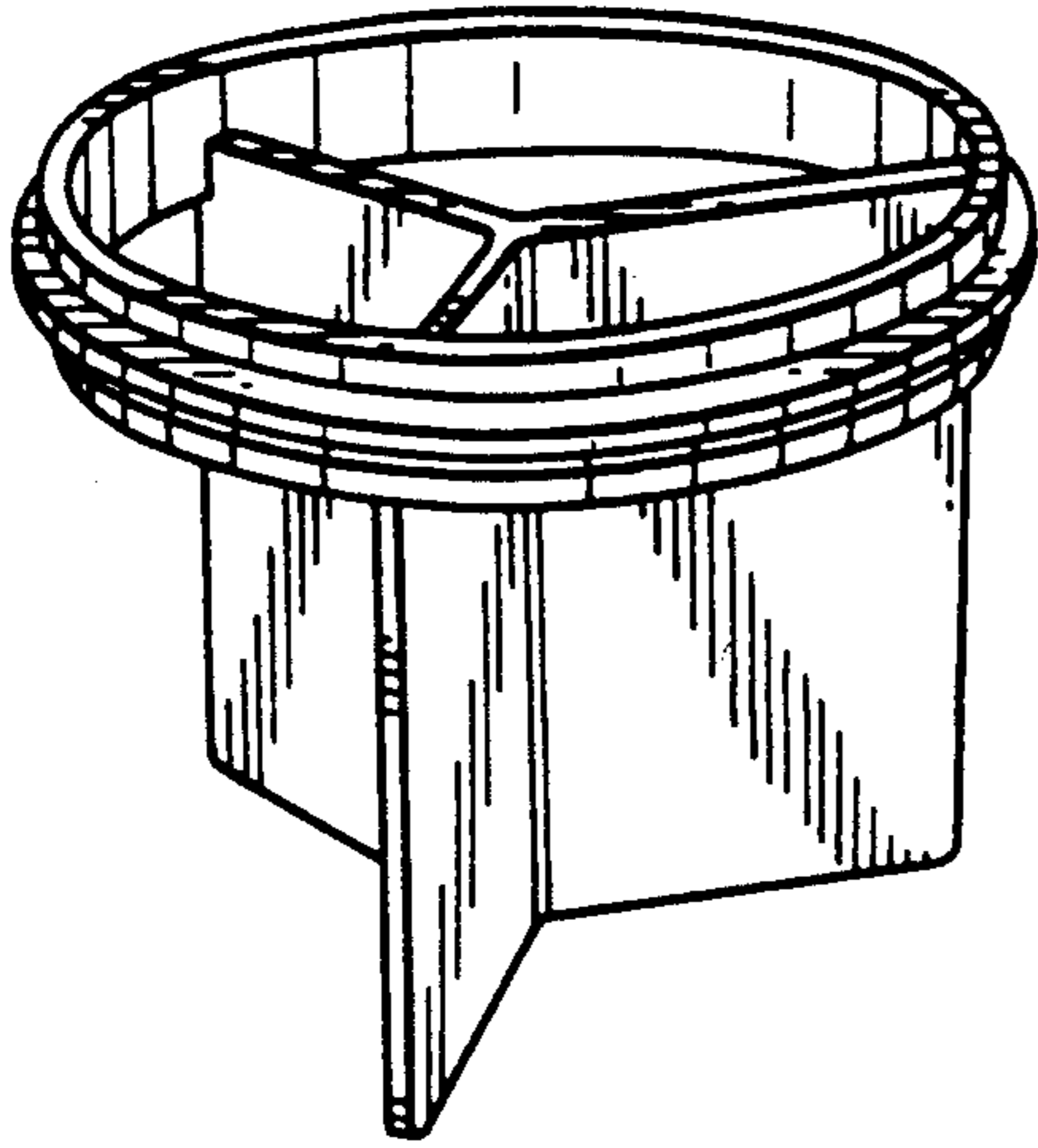


FIG. 1

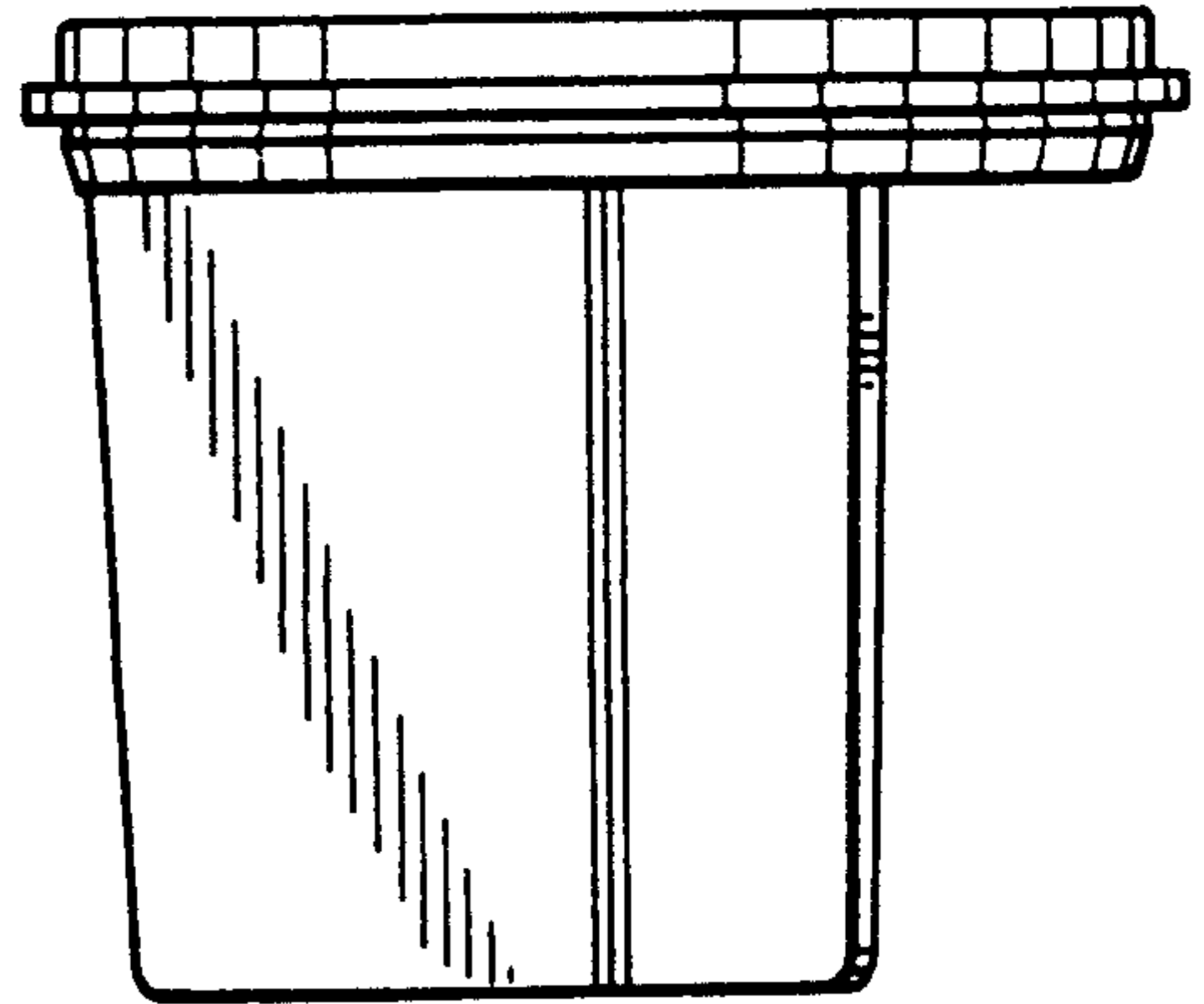


FIG. 2

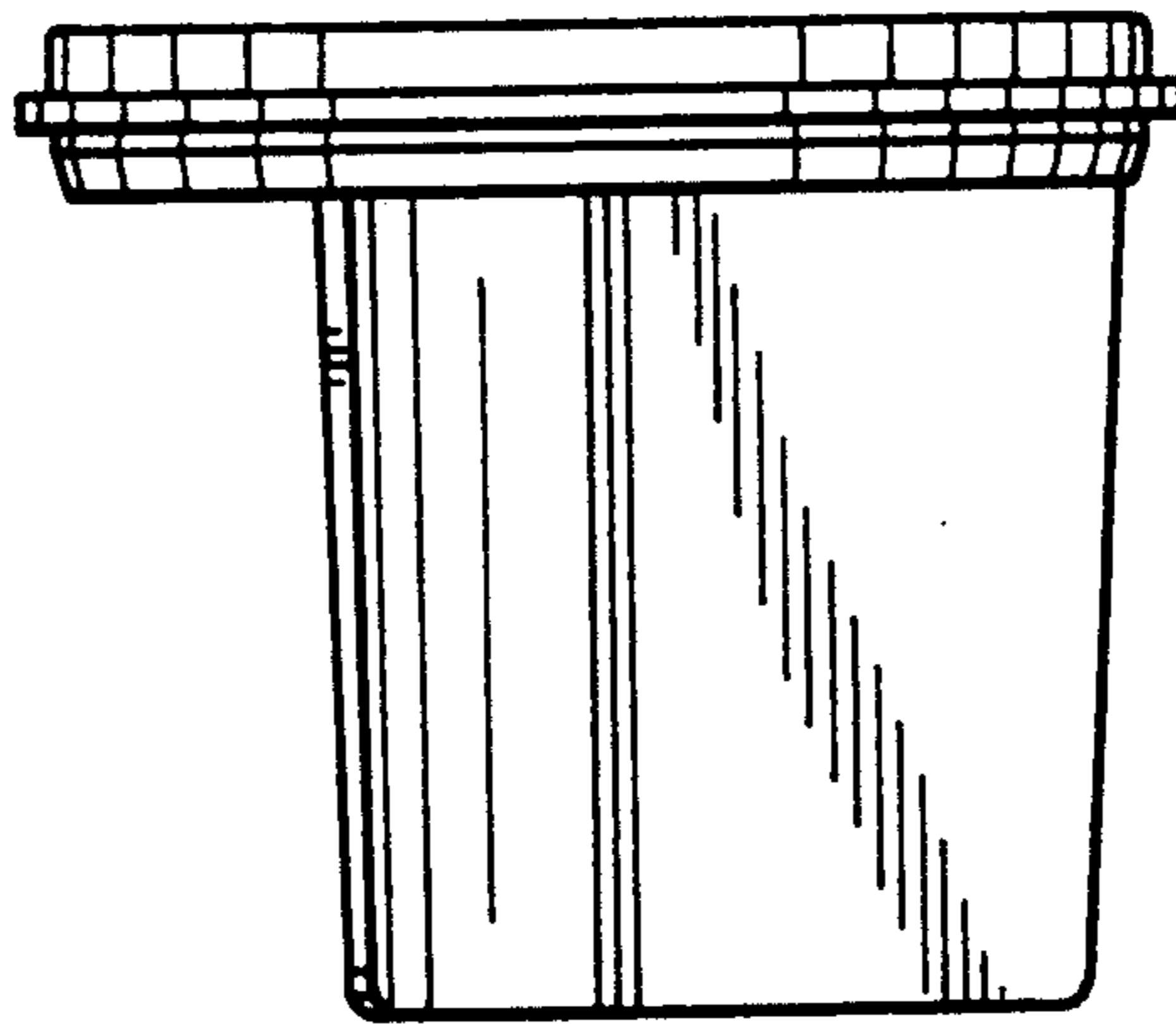


FIG. 3

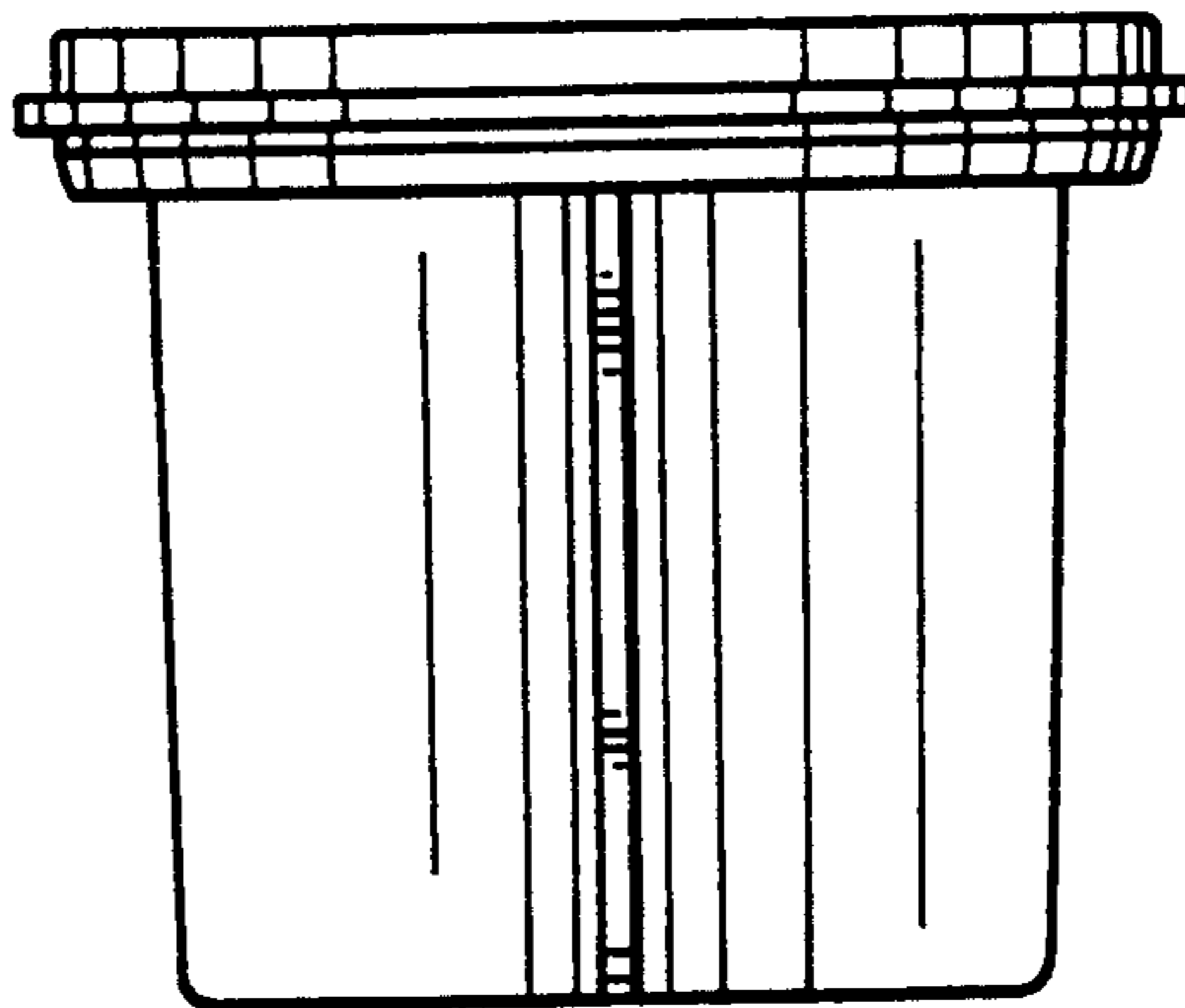


FIG. 4

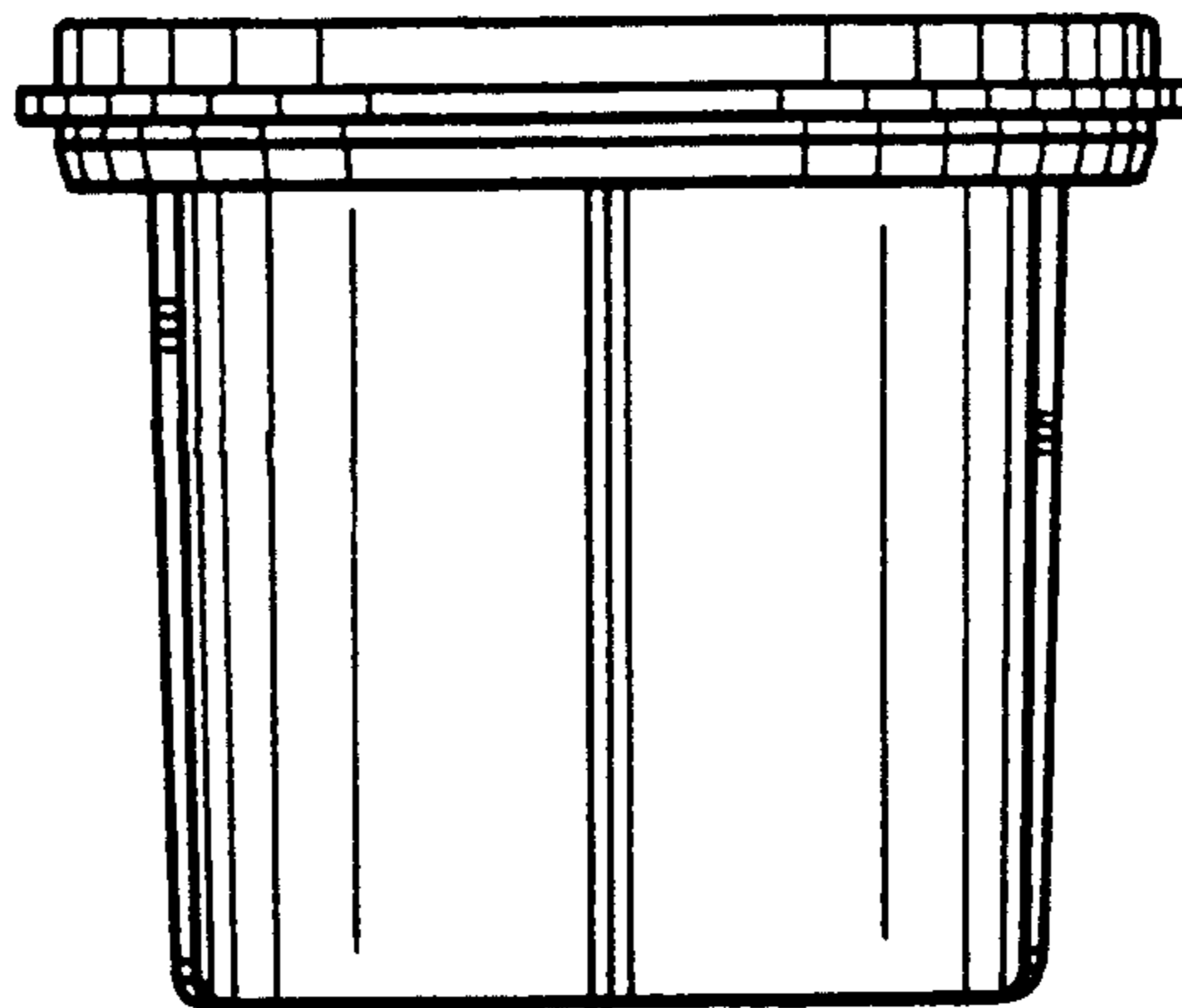


FIG. 5

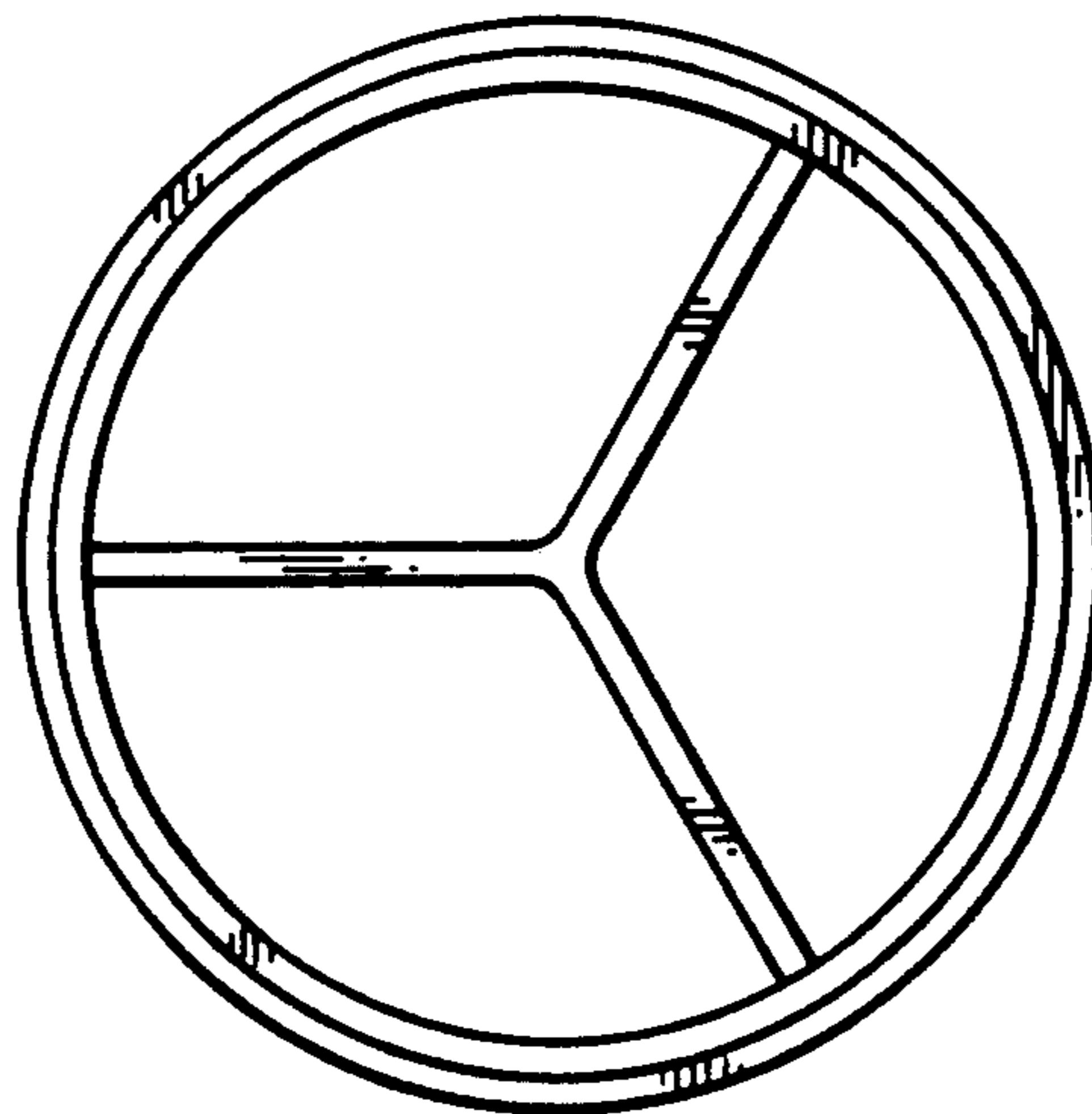


FIG. 6

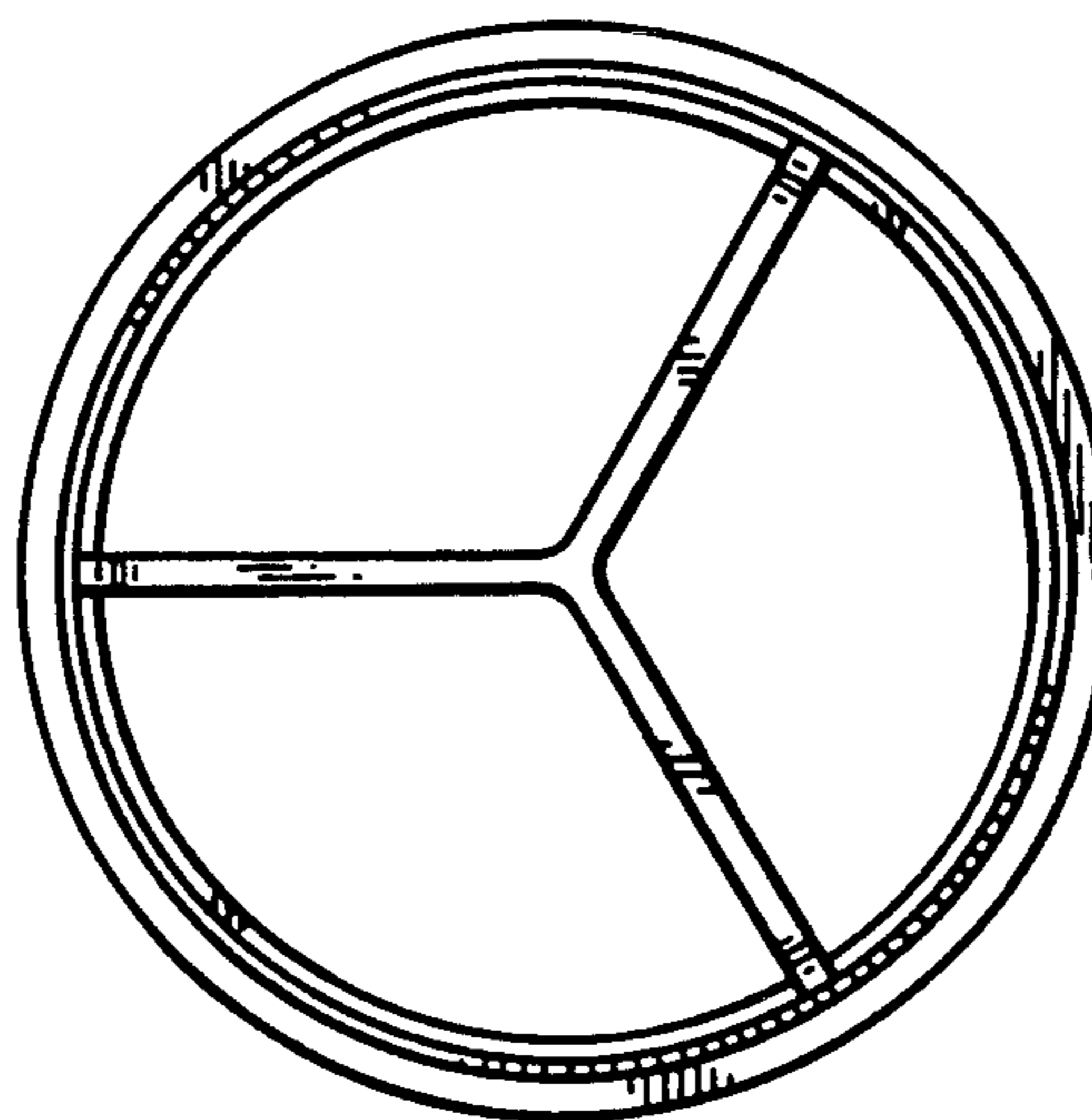


FIG. 7