

[54] PACKAGE FOR A DISPOSABLE CAMERA

4,758,852	7/1988	Maejima	354/75
4,804,987	2/1989	Arai	354/219
4,812,863	3/1989	Ohmura et al.	354/219

[75] Inventor: Takuya Arai, Tokyo, Japan

[73] Assignee: Fuji Photo Film Co., Ltd., Kanagawa, Japan

[**] Term: 14 Years

[21] Appl. No.: 505,522

[22] Filed: Apr. 6, 1990

OTHER PUBLICATIONS

Photography, 2-1985, p. 76, bottom of the page.
 Co. Bell & Co., Cat. 1986, p. 311, top of the page.
 Hong Kong Enterprise, Cat. 1987, p. 201, top right of the page.
 Co. Bell & Co., Cat. 1987, p. 235, item No. 5, bottom left of the page.

Primary Examiner—Bernard Ansher
 Assistant Examiner—Prabhakar Deshmukh
 Attorney, Agent, or Firm—Young & Thompson

Related U.S. Application Data

[62] Division of Ser. No. 195,957, May 17, 1988, Pat. No. D. 313,183.

[52] U.S. Cl. D9/432; D16/200; D16/208; D9/418

[58] Field of Search D9/414, 415, 432, 307; D14/121; D16/200, 218, 213, 211, 208; 206/316.2, 455, 456; 354/75, 76, 174, 126, 400, 275, 288, 219; 224/908

[57] CLAIM

The ornamental design for a disposable camera, as shown and described.

DESCRIPTION

FIG. 1 is a perspective view of a package for a disposable camera showing my new design;
 FIG. 2 is a front elevational view thereof;
 FIG. 3 is a rear elevational view thereof;
 FIG. 4 is a top plan view thereof;
 FIG. 5 is a bottom plan view thereof;
 FIG. 6 is a right side elevational view thereof; and
 FIG. 7 is a left side elevational view thereof.

[56] References Cited

U.S. PATENT DOCUMENTS

D. 228,681	10/1973	Swayze	D16/213
D. 244,055	4/1977	Shimano et al.	D16/213
D. 306,691	3/1990	Arai	D16/218
3,523,496	8/1970	Nerwin	D14/121 X
4,751,536	6/1988	Ohmura et al.	354/75

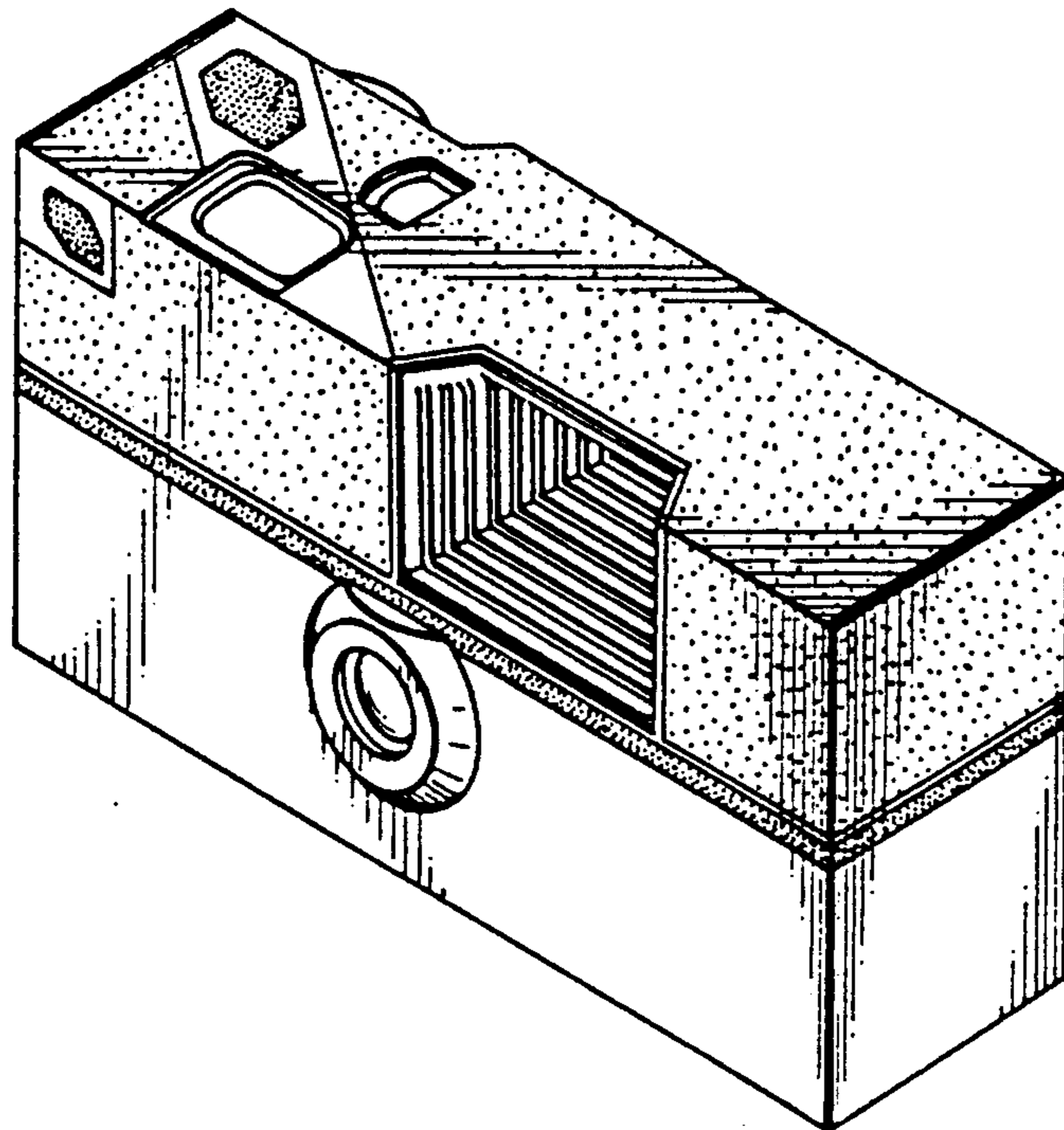


FIG. 1

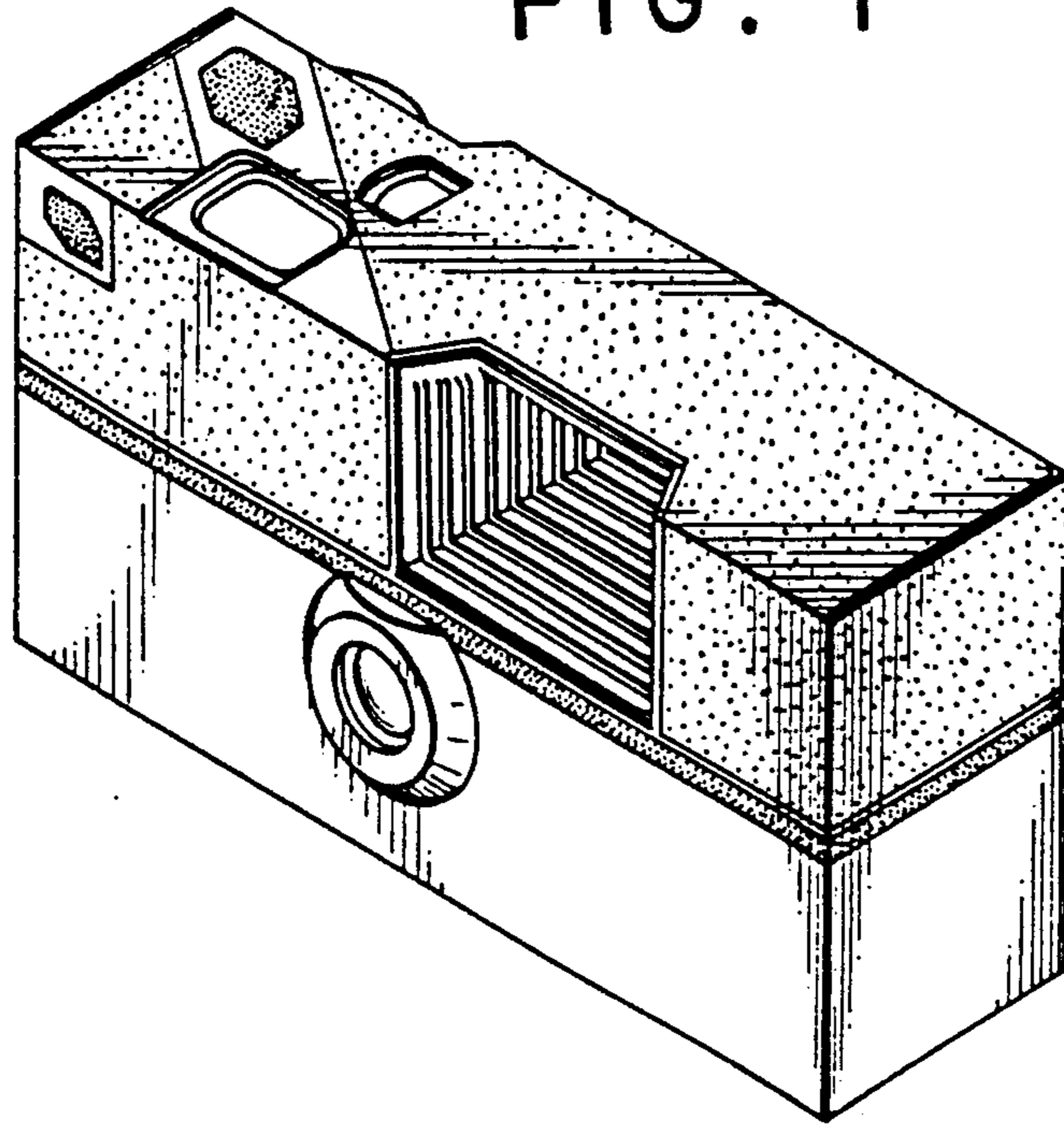


FIG. 2

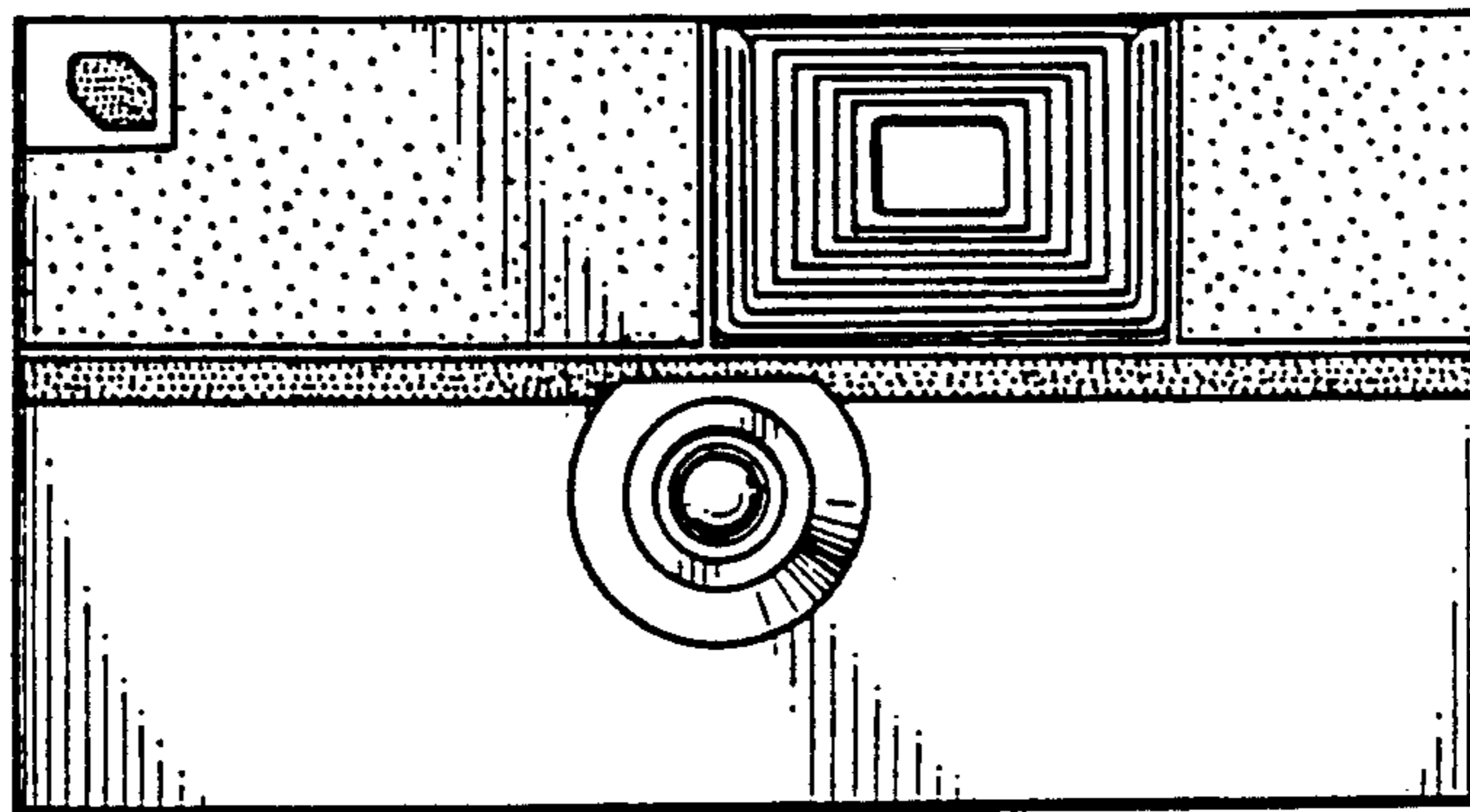


FIG. 3

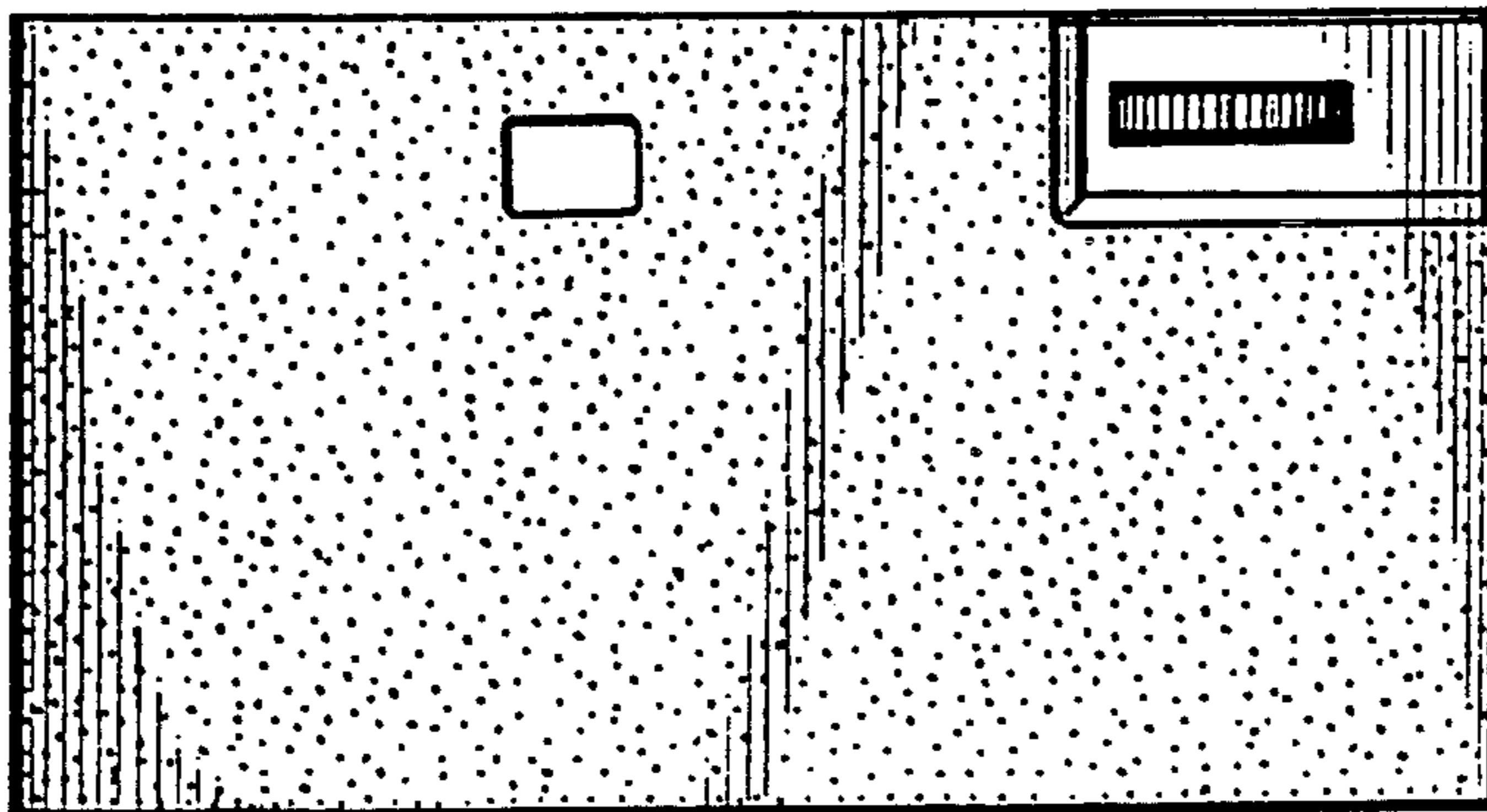


FIG. 4

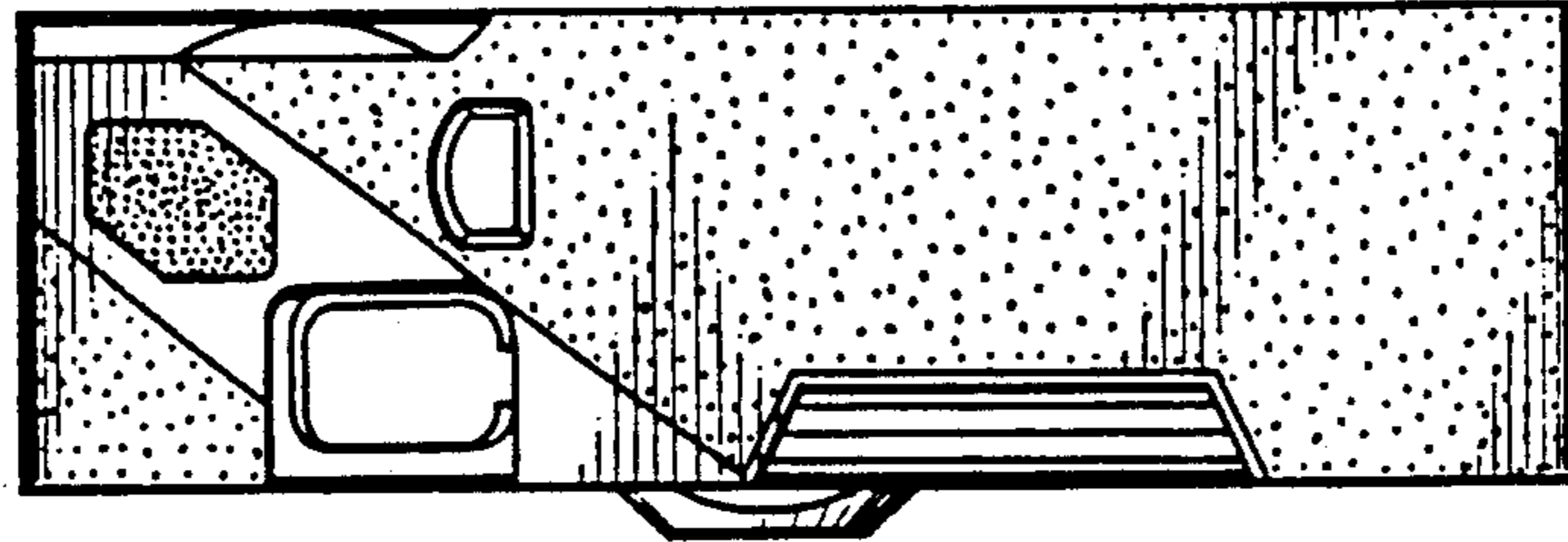


FIG. 5

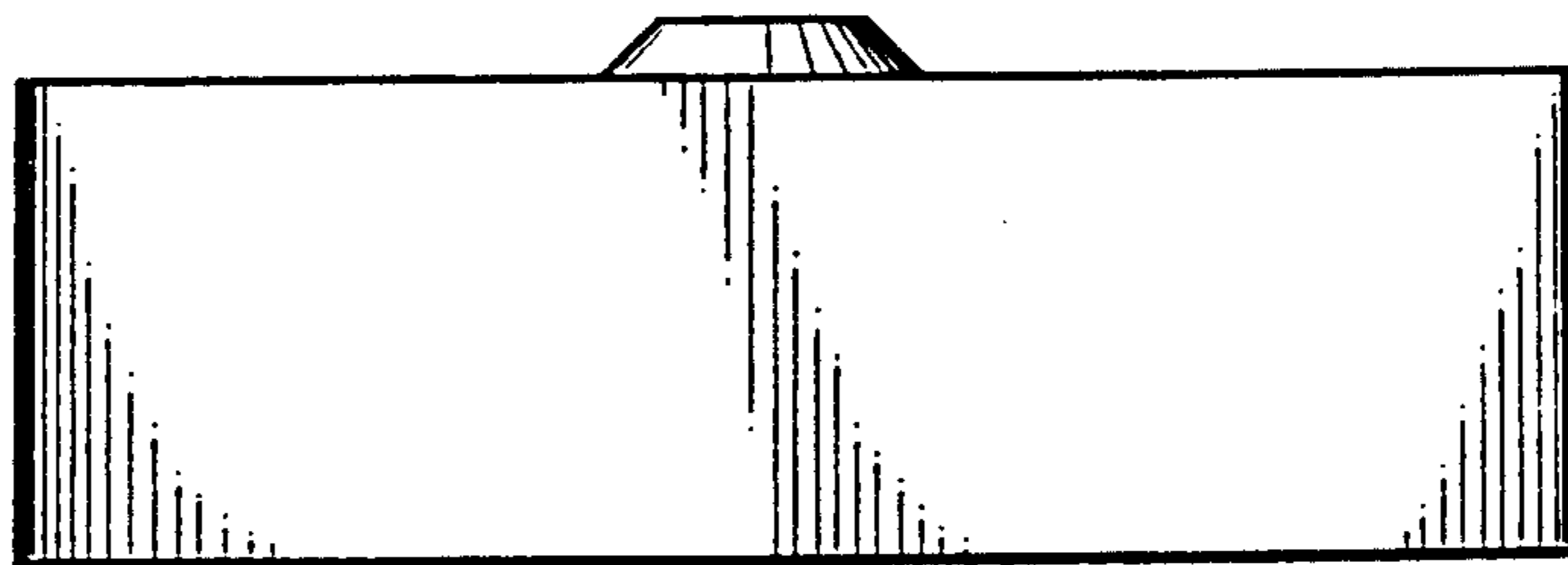


FIG. 7

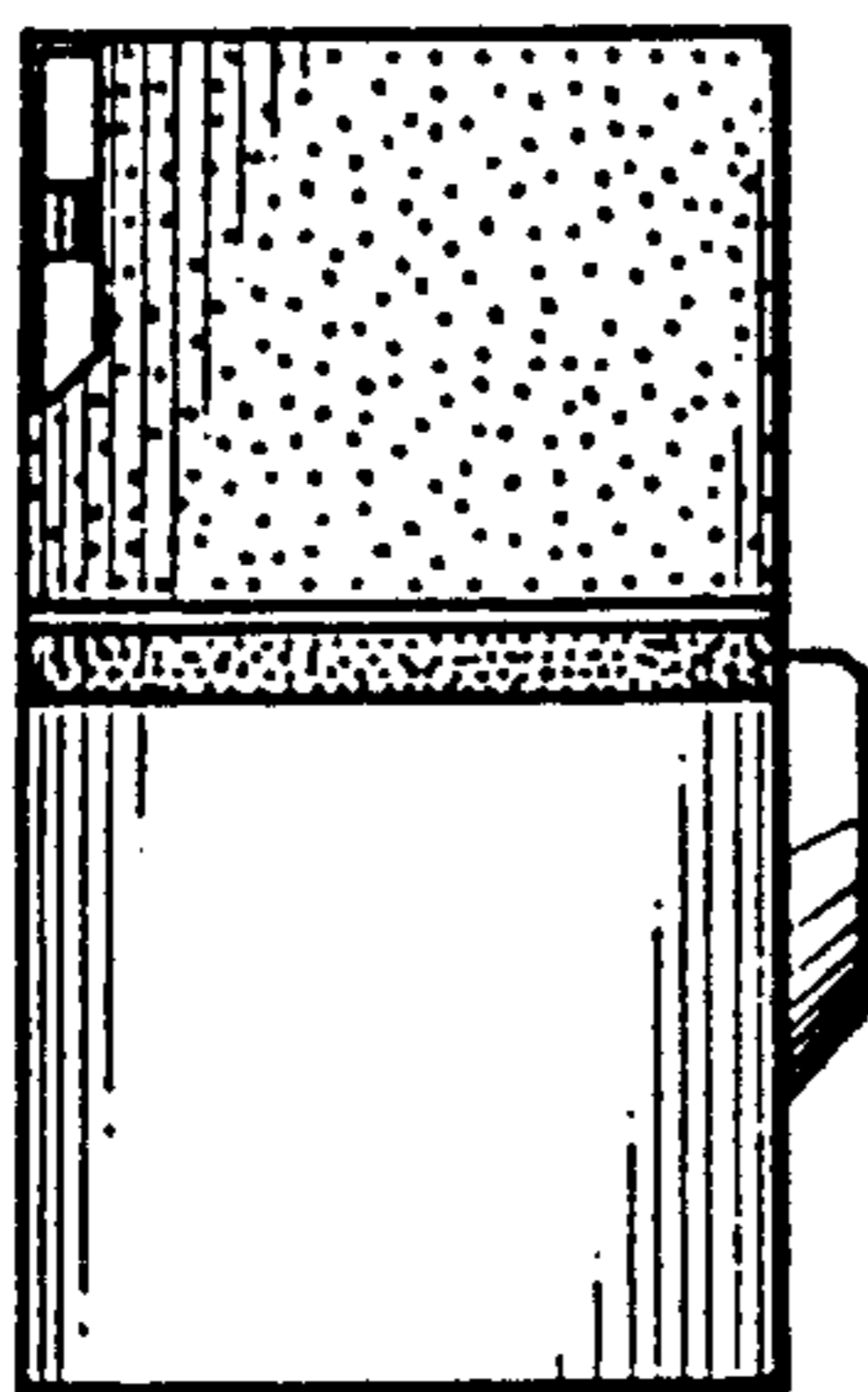


FIG. 6

