

[54] COMBINED PACKAGE FOR SPRAY GUN AND ADVERTISING INSERT

[75] Inventors: Michael J. Cross, Gurnee; Joseph Jasionowski, Park Ridge, both of Ill.

[73] Assignee: Federal Equipment Corporation, North Chicago, Ill.

[\*\*] Term: 14 Years

[21] Appl. No.: 417,814

[22] Filed: Oct. 5, 1989

[52] U.S. Cl. .... D9/415

[58] Field of Search ..... D9/415, 418, 337; 206/460, 461, 462, 463, 466, 469, 470, 495; D23/213

[56] References Cited

U.S. PATENT DOCUMENTS

- D. 239,253 3/1976 Tiep et al. .... D9/415
- D. 271,943 12/1983 Beise et al. .... D9/415
- D. 295,833 5/1988 Roth ..... D9/415 X

- D. 303,763 10/1989 DeMarco ..... D9/415
- 4,423,811 1/1984 Knapp ..... 206/470 X
- 4,512,474 4/1985 Harding ..... 206/467 X
- 4,899,877 2/1990 Kiernan ..... 206/470 X

Primary Examiner—Bernard Ansher  
Assistant Examiner—Prabhakar Deshmukh  
Attorney, Agent, or Firm—Welsh & Katz, Ltd.

[57] CLAIM

The ornamental design for a combined package for spray gun and advertising insert, as shown and described.

DESCRIPTION

FIG. 1 is a perspective view of a package for spray gun showing our new design; FIG. 2 is a front elevation thereof; FIG. 3 is a right side elevation thereof; FIG. 4 is a rear elevation thereof; FIG. 5 is a left side elevation thereof; FIG. 6 is a top plan view thereof; and FIG. 7 is a bottom plan view thereof.

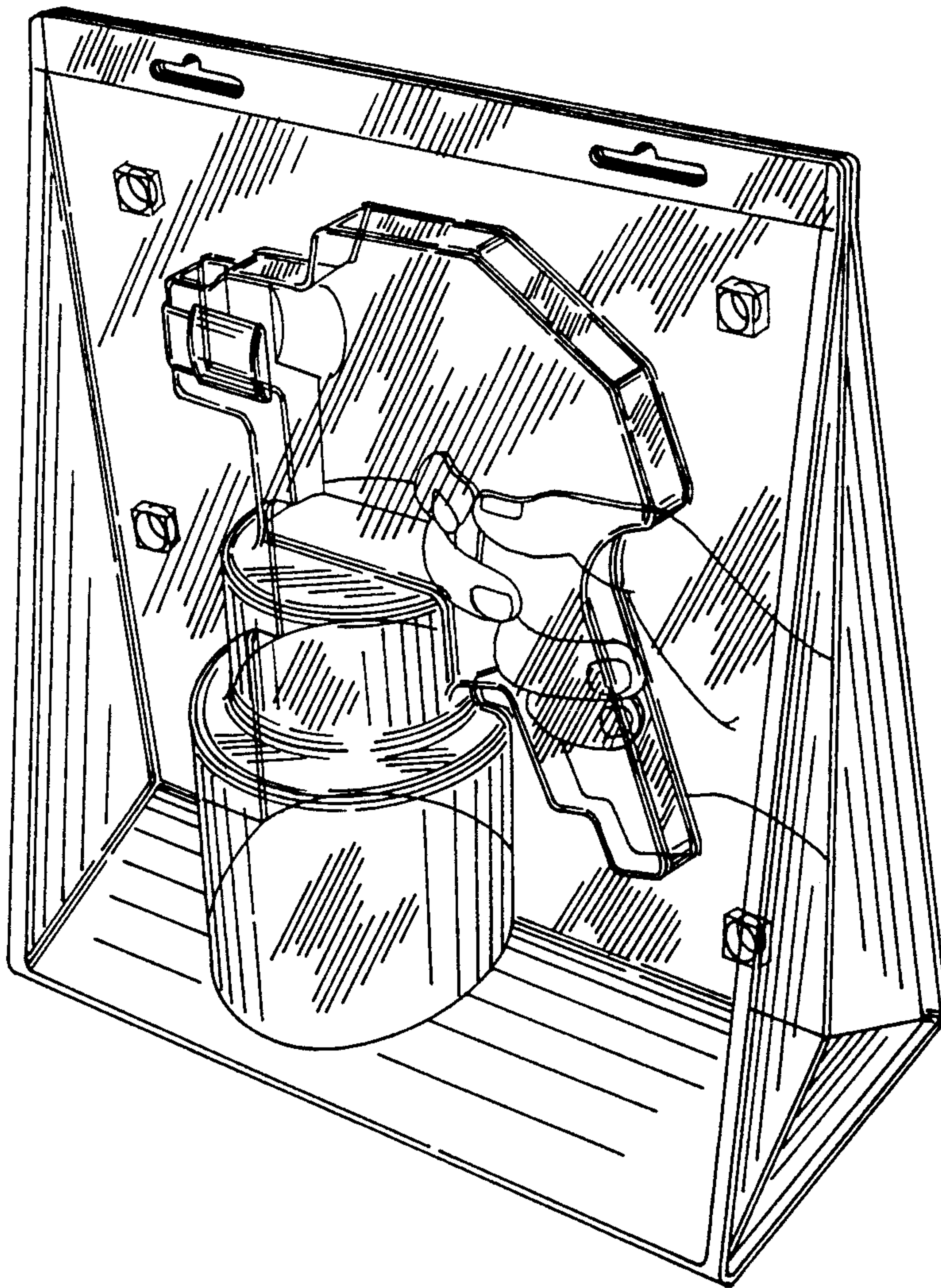


FIG. 1

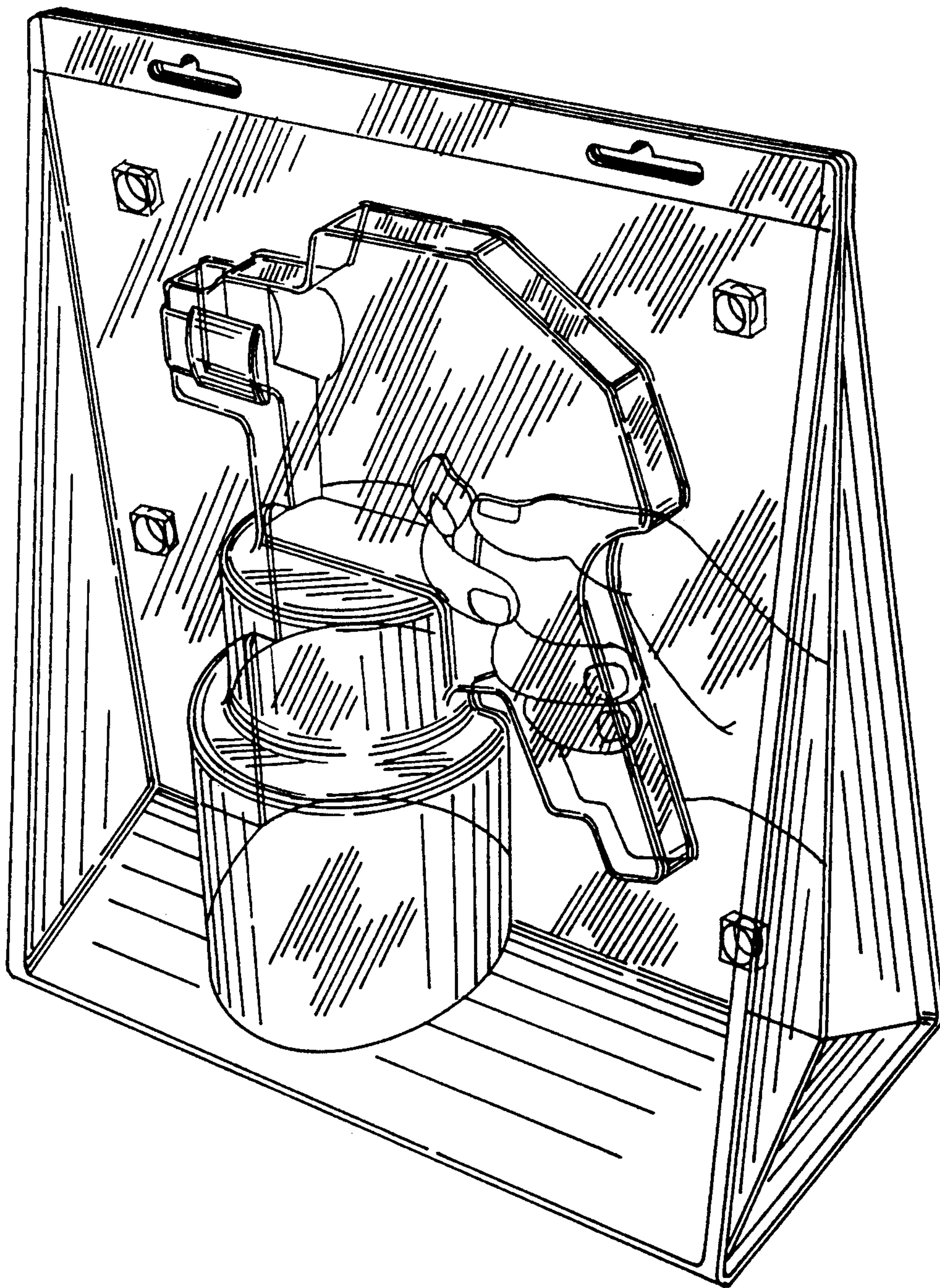




FIG-3-

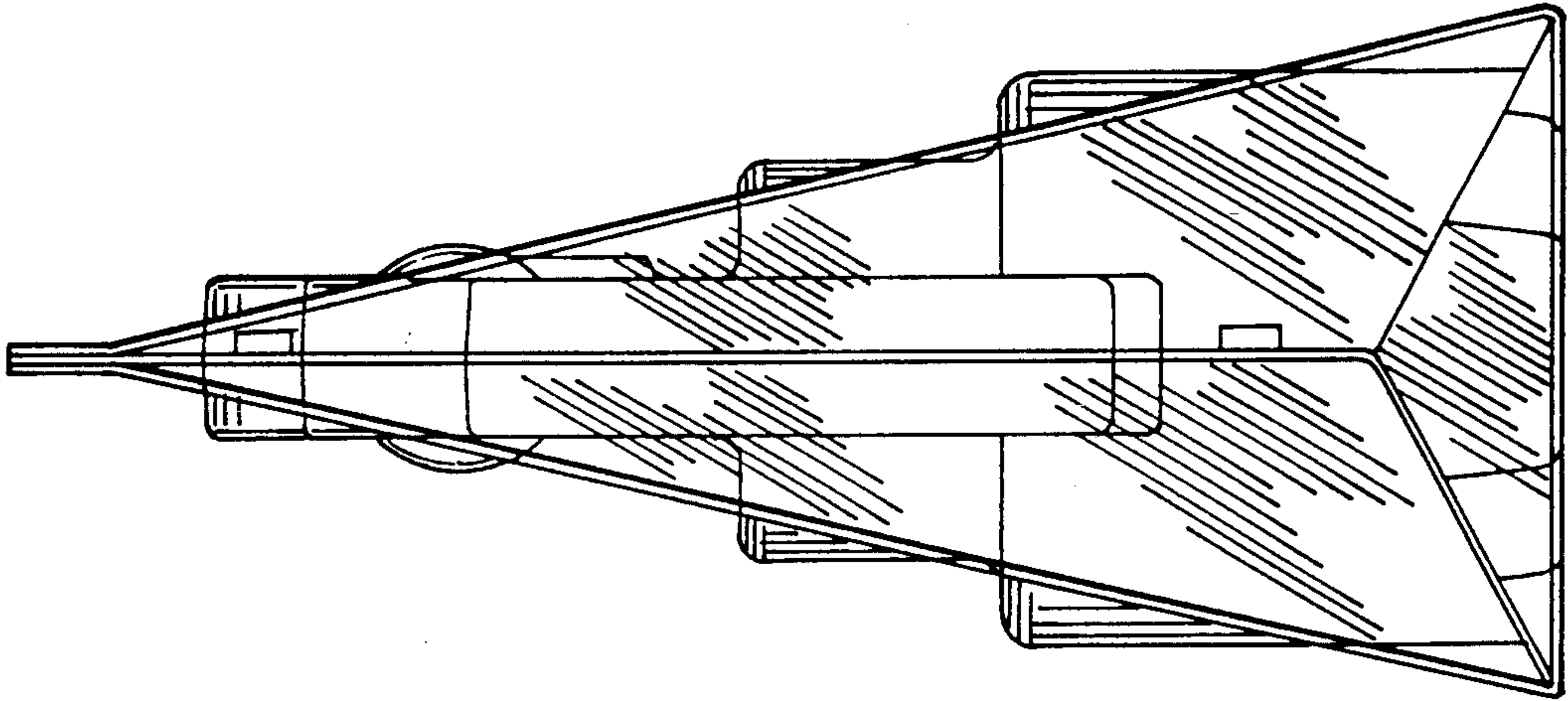


FIG-2-

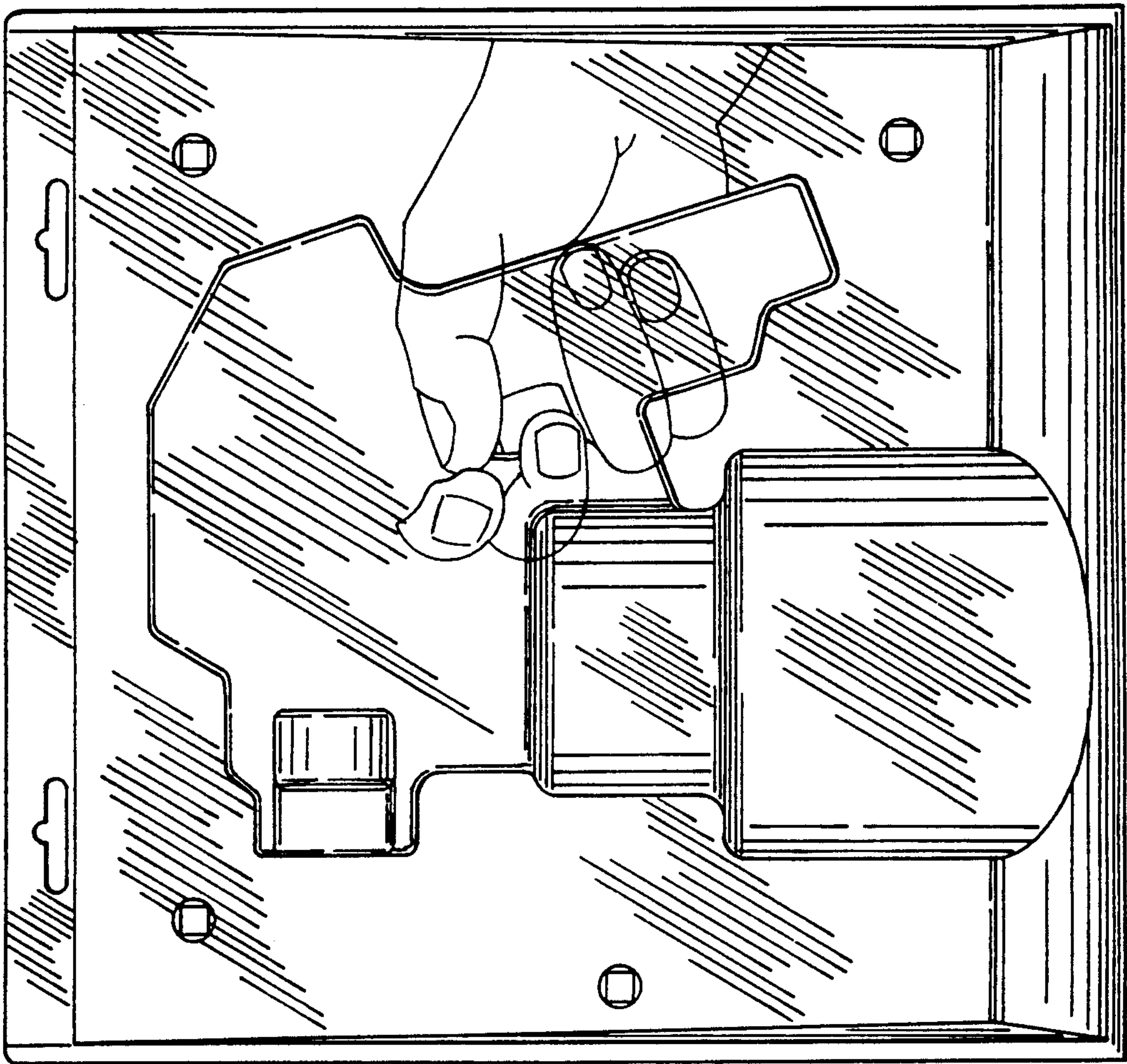


FIG-5-

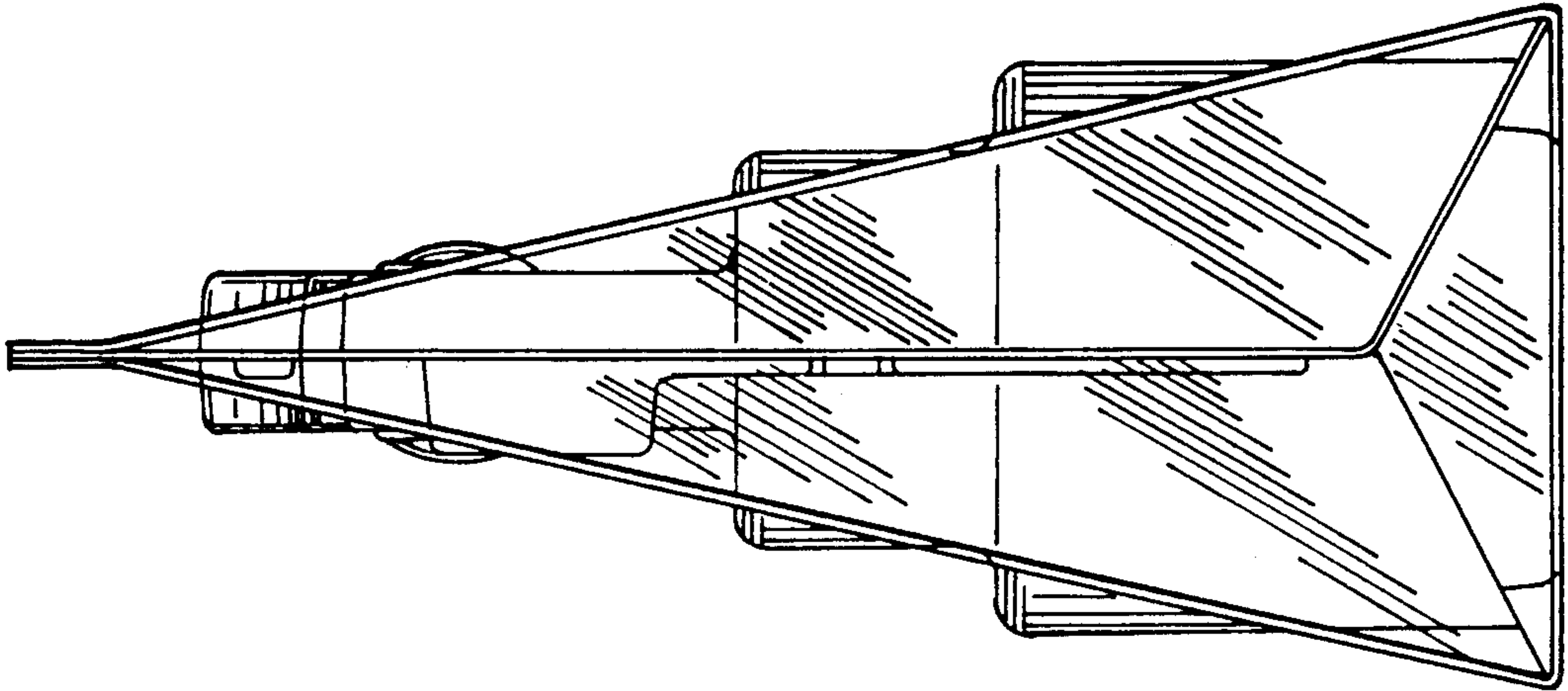


FIG-4-

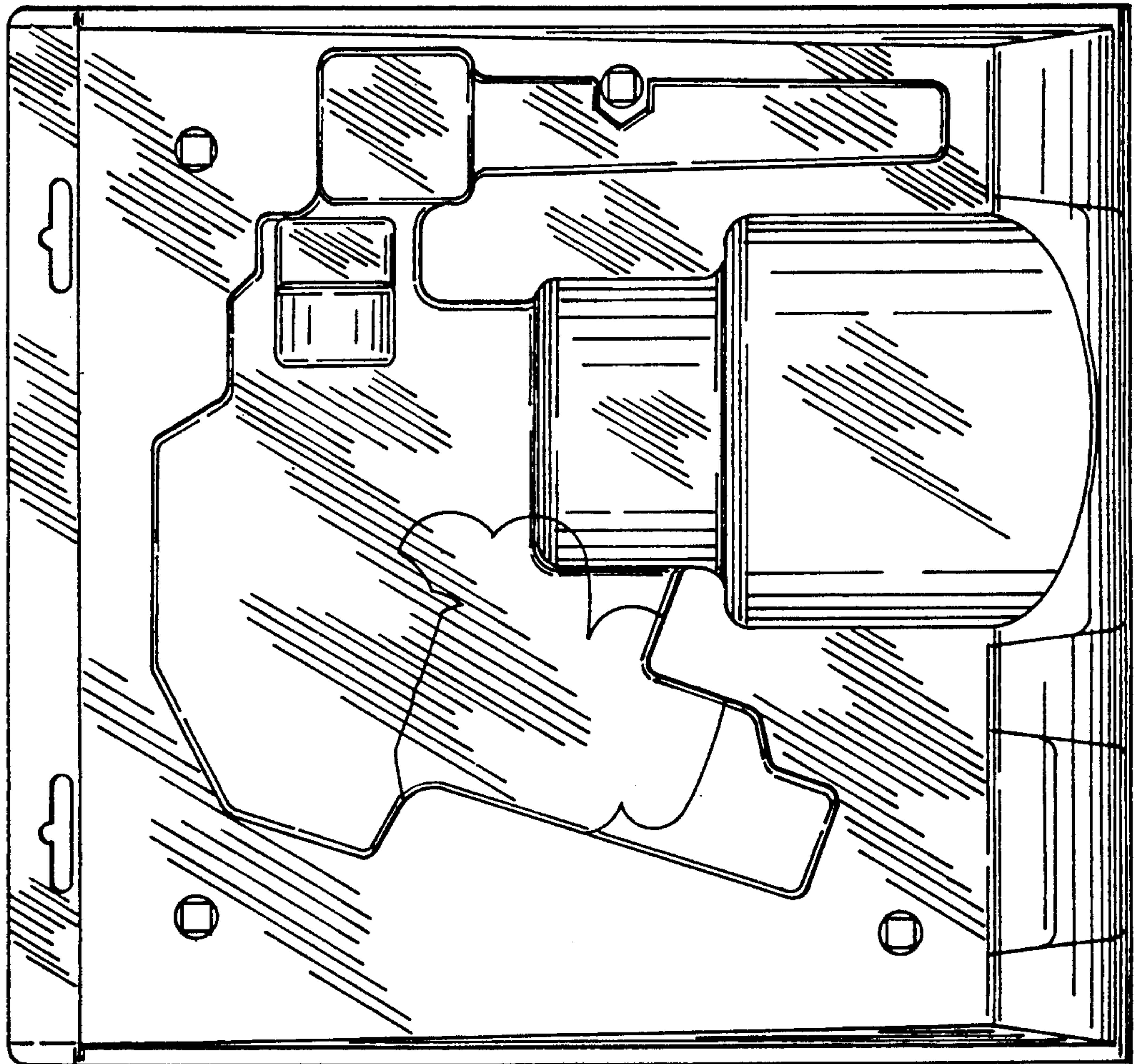




FIG. 6

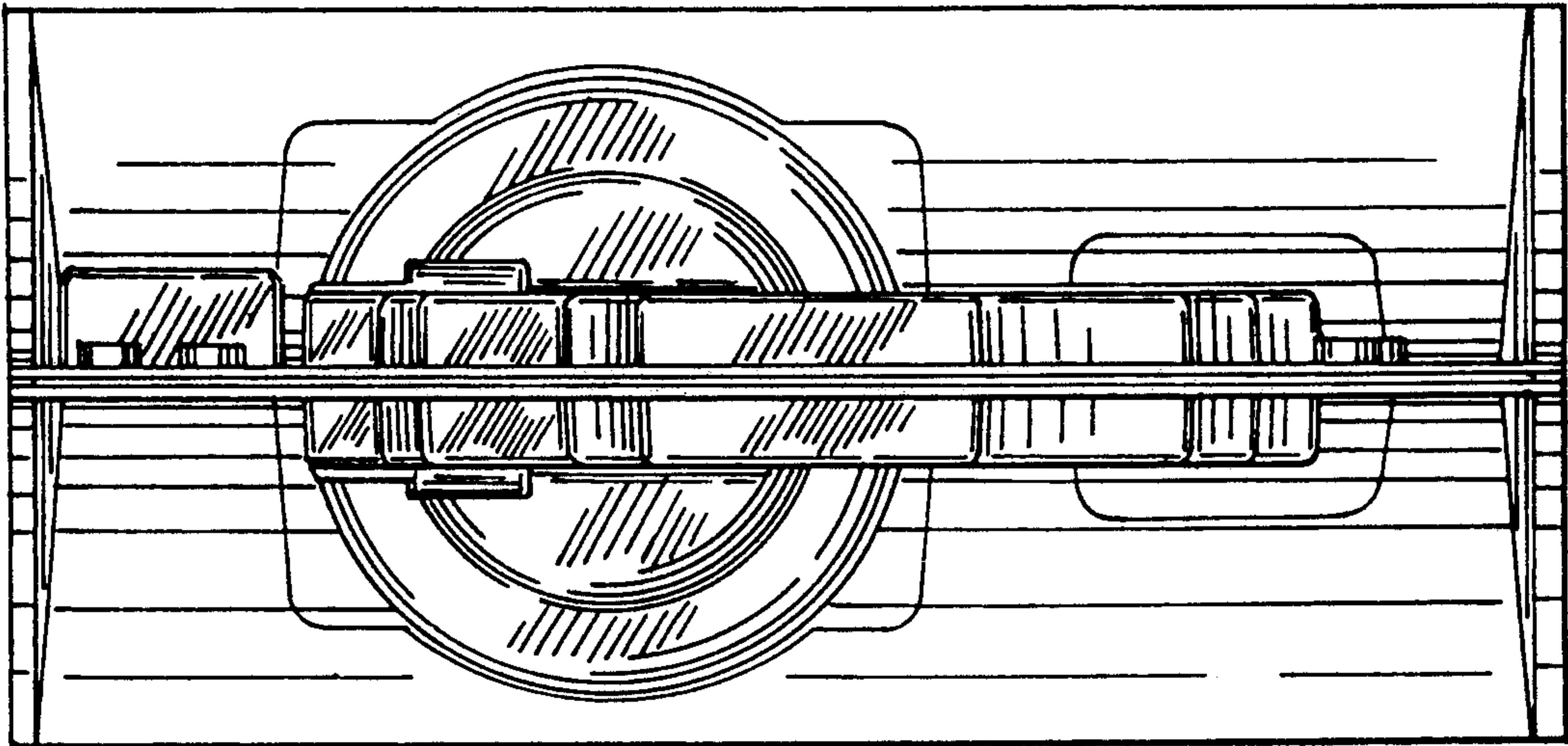


FIG. 7

