

[54] WALL MOUNT SINGLE HOOK ASSEMBLY UNIT

[75] Inventor: Jody A. Hobson, Rocky River, Ohio

[73] Assignee: Rubbermaid Incorporated, Wooster, Ohio

[**] Term: 14 Years

[21] Appl. No.: 392,379

[22] Filed: Aug. 11, 1989

[52] U.S. Cl. D8/367

[58] Field of Search D8/367, 373, 396, 395, D8/71; D6/551, 552, 553, 554, 512; 248/68

[56] References Cited

U.S. PATENT DOCUMENTS

D. 32,373	3/1900	Smith	D6/553 X
D. 53,276	5/1919	Pleister	D8/396
D. 115,503	4/1939	Linyard	D8/71
D. 123,097	10/1940	Brandon	D8/71
D. 262,816	1/1982	Radocy	D8/367 X
D. 266,124	9/1982	Stankewich	D8/367 X
D. 281,575	12/1985	Chap	D8/367 X
D. 294,457	3/1988	Doty et al.	D8/373
D. 295,723	5/1988	Shioda	D8/396
D. 305,098	12/1989	Crowle et al.	D8/395
D. 313,544	1/1991	Scherer	D8/367 X
D. 315,075	3/1991	Gerber	D6/552

3,430,903	3/1969	Mathes	248/68
3,972,457	8/1976	Kesler	D6/552 X

OTHER PUBLICATIONS

Schöner Wohnen Magazine, 5/1981; at p. 106; Hooks 19 and 25; see also Wallhook left of item 5.
 Sell Sheet, company name and address unknown, publication date unknown.
 Catalog Page, Flair, United Industries Nederland B.V., Lange Wagenstraat 55, 5126 ZG Gilze, publication date unknown.
 Sell Sheet, American Tack & Hardware Co., 25 Robert Pitt Dr., Monsey, NY 10952, publication date unknown.

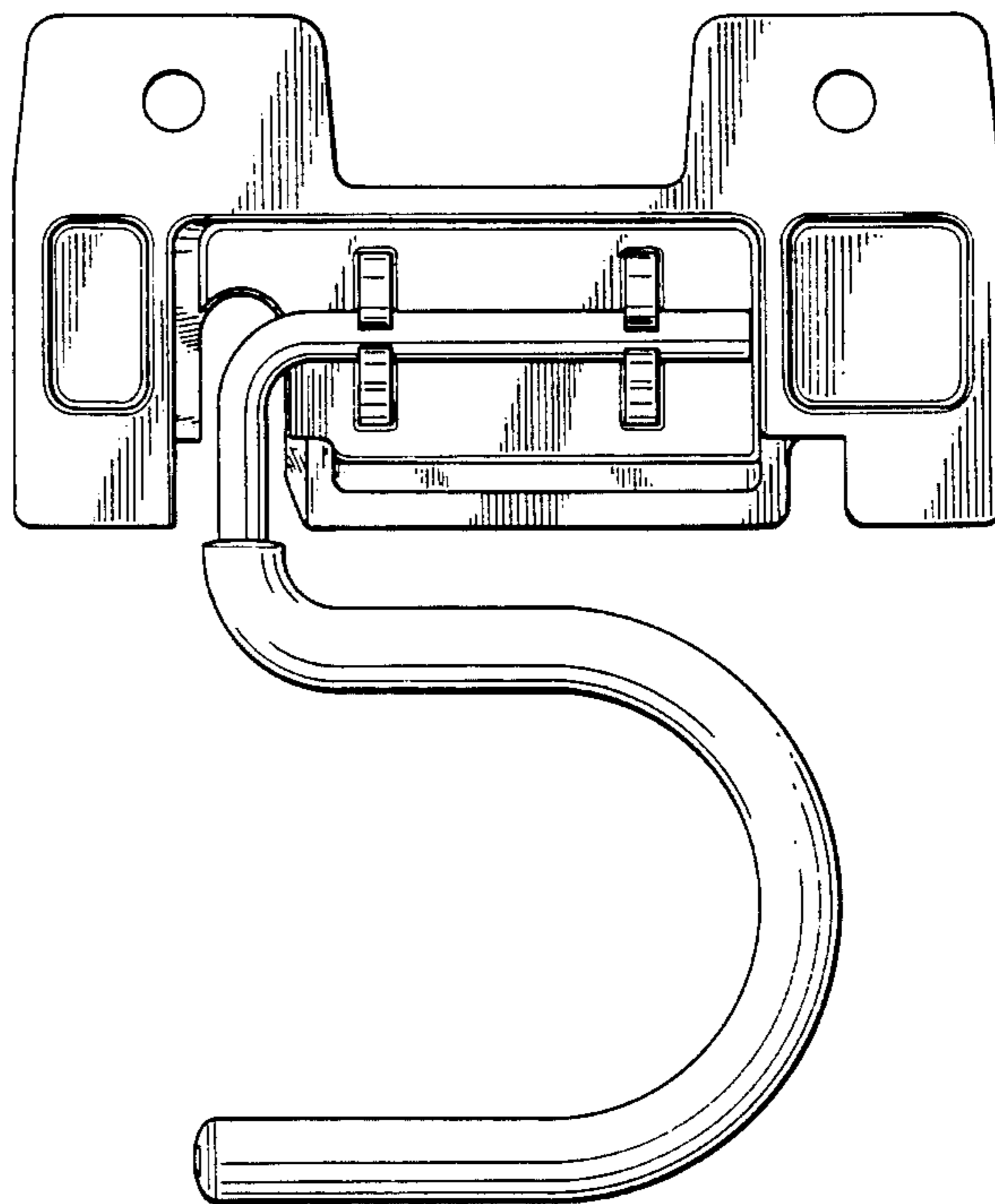
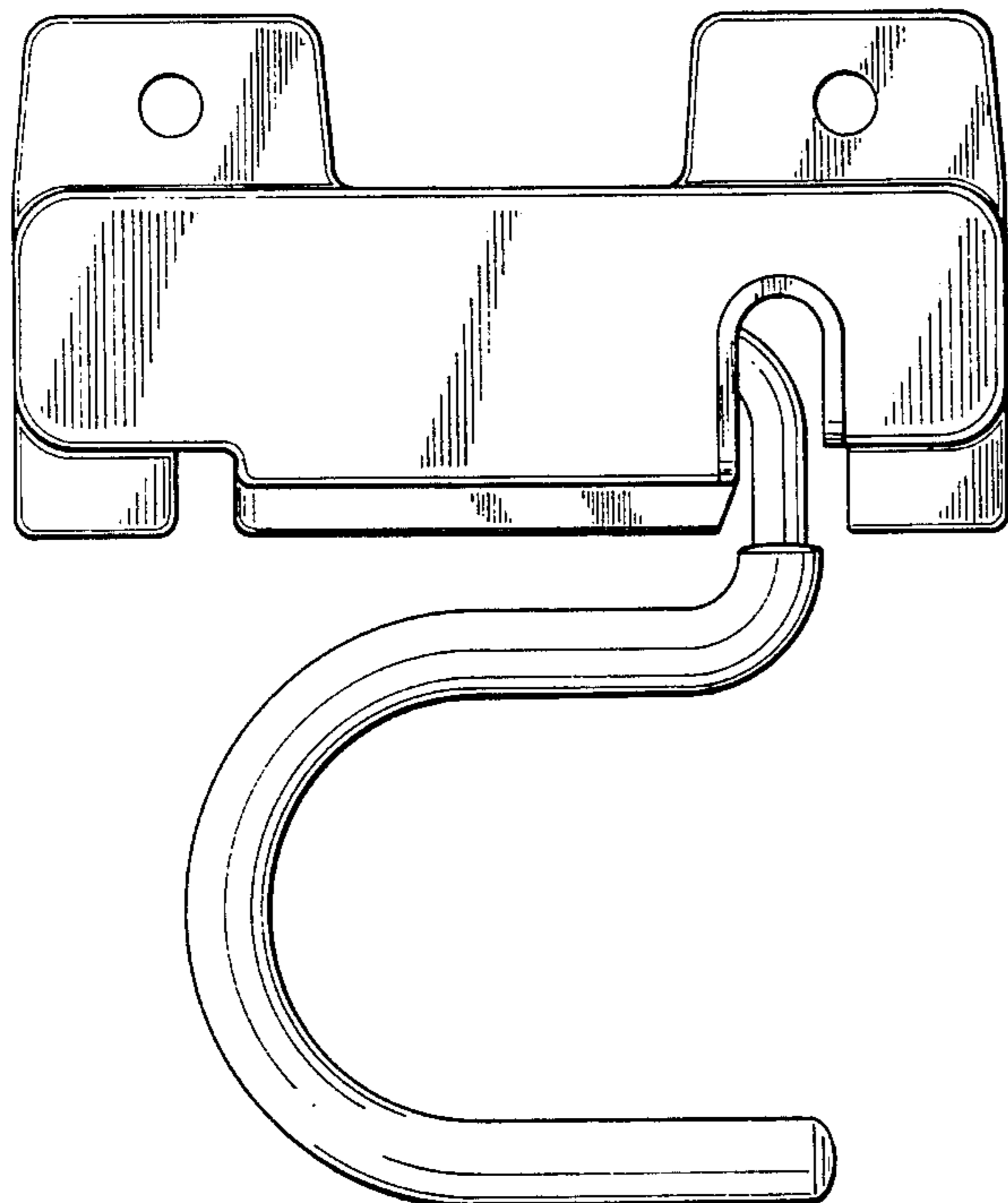
Primary Examiner—Horace B. Fay, Jr.
 Attorney, Agent, or Firm—Richard B. O'Planick

[57] CLAIM

The ornamental design for a wall mount single hook assembly unit, as shown and described.

DESCRIPTION

FIG. 1 is a front perspective view of a wall mount single hook assembly unit embodying my new design;
 FIG. 2 is a top plan view thereof;
 FIG. 3 is a front elevational view thereof;
 FIG. 4 is a rear elevational view thereof;
 FIG. 5 is a bottom plan view thereof;
 FIG. 6 is a left side elevational view thereof;
 FIG. 7 is a right side elevational view thereof.



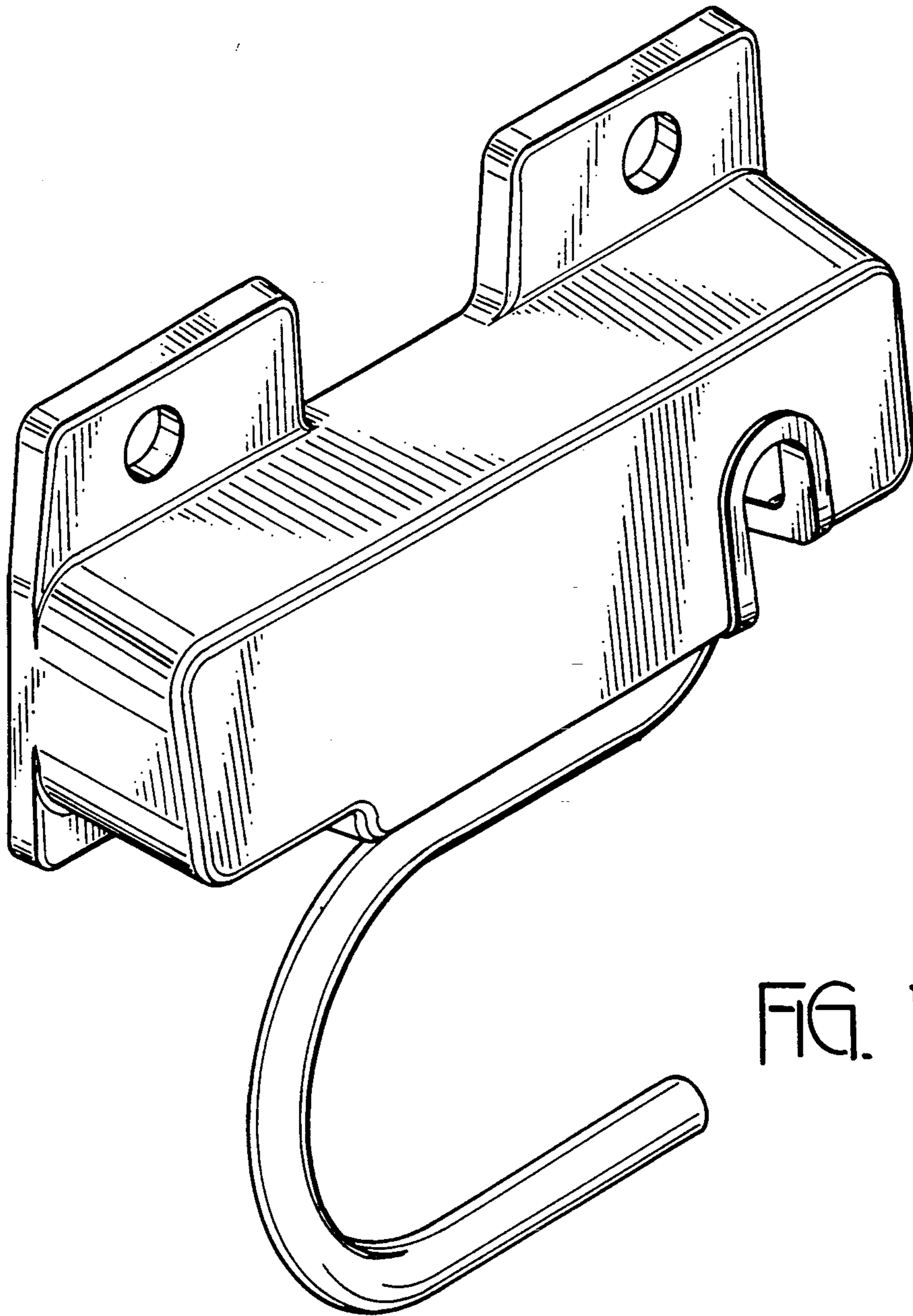


FIG. 1

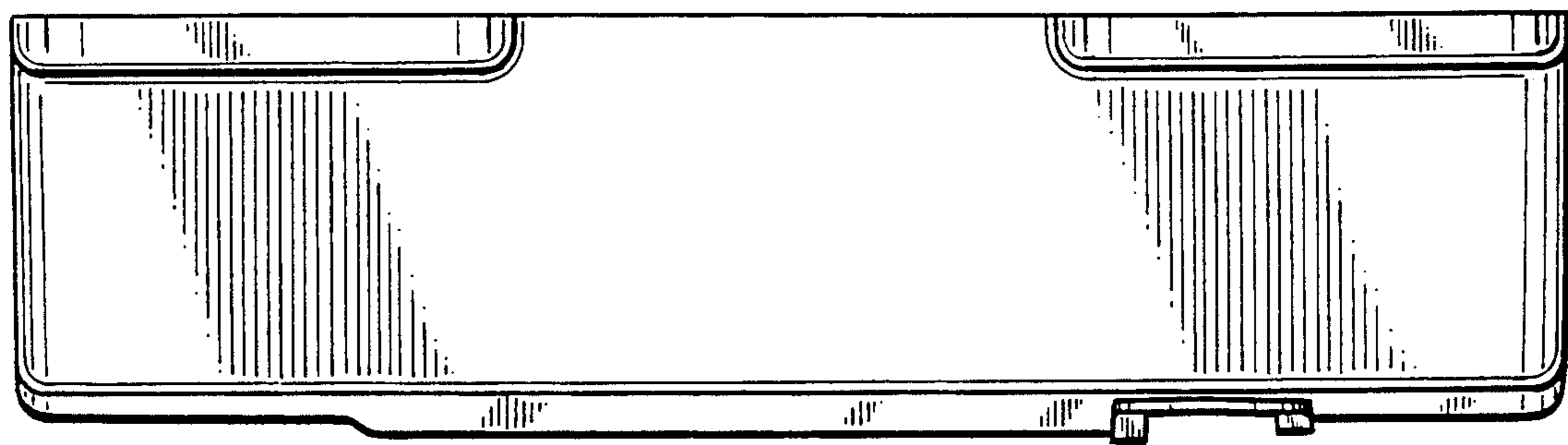


FIG. 2

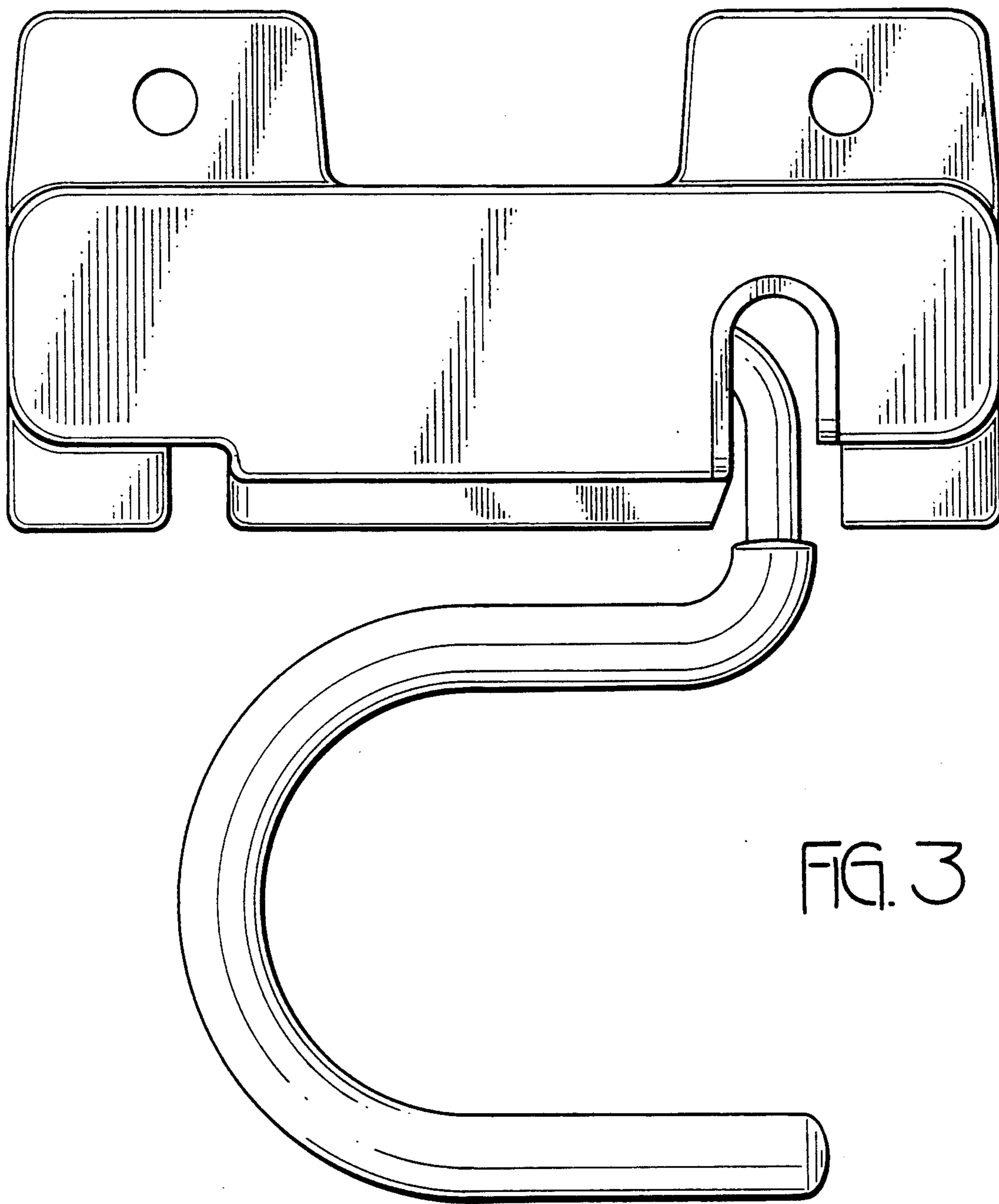


FIG. 3

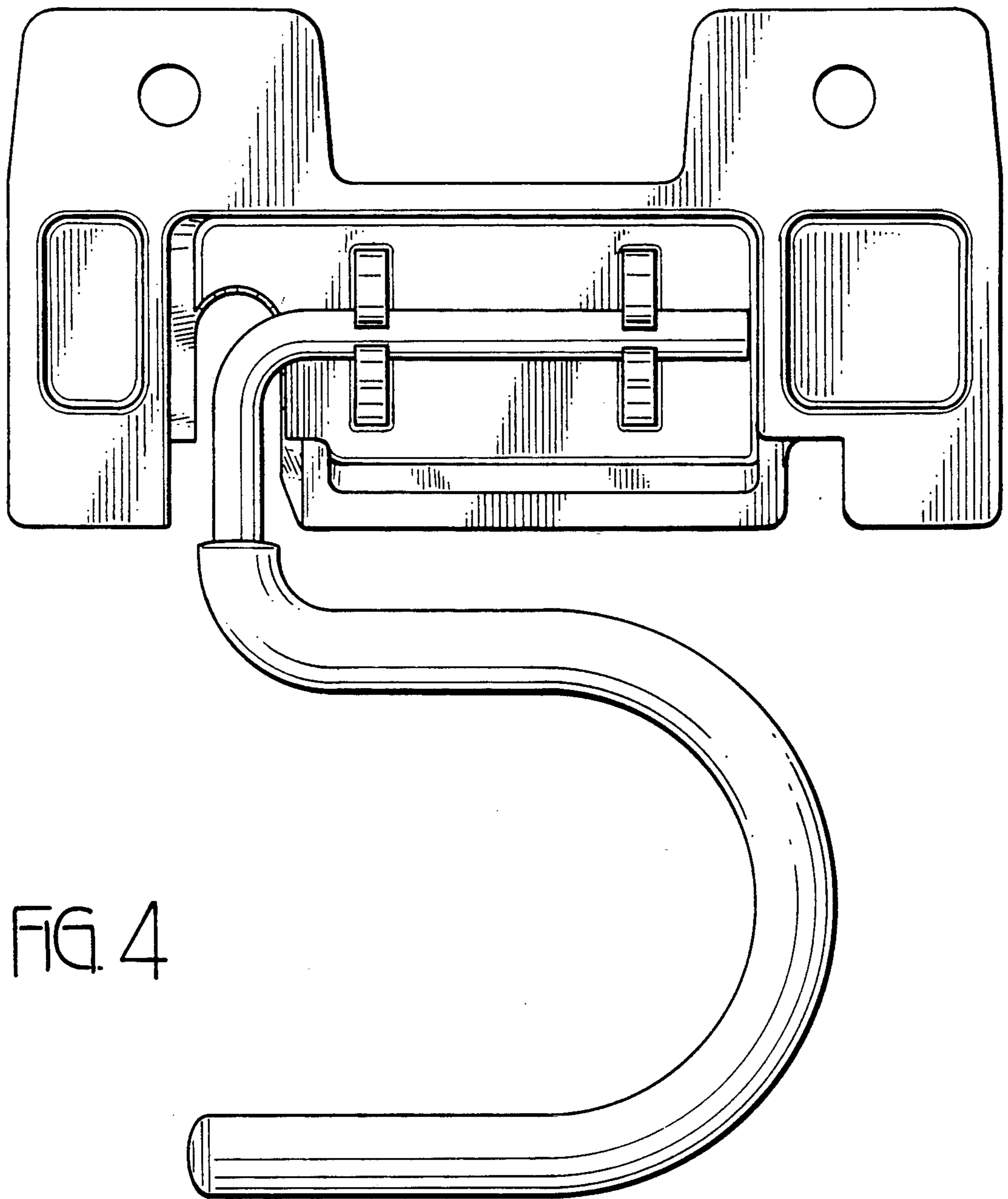


FIG. 4

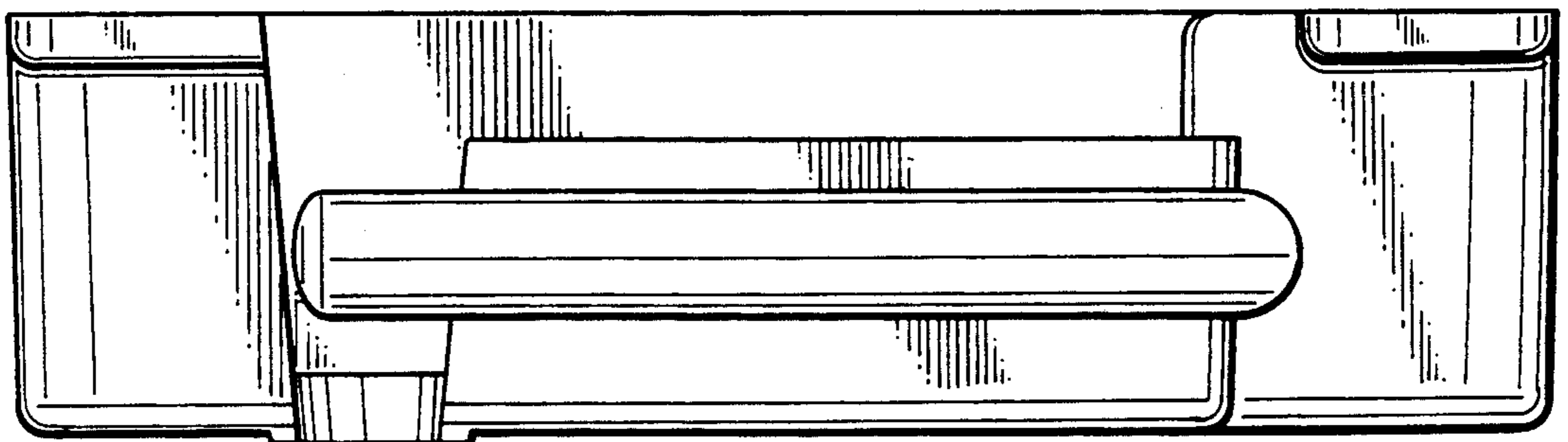


FIG. 5

