

[54] HAND REEL

[75] Inventors: Desmond G. Fanning; Peter J. Anderson; Nicholas J. Booth; Robert K. McNab, all of Victoria, Australia

[73] Assignee: Peter Fanning and Company Proprietary Ltd., Melbourne, Australia

[**] Term: 14 Years

[21] Appl. No.: 427,806

[22] Filed: Oct. 27, 1989

[30] Foreign Application Priority Data

May 2, 1989 [AU]	Australia	1373/89
Oct. 19, 1989 [AU]	Australia	3410/89
[52] U.S. Cl.		D8/359
[58] Field of Search		D8/358, 359; 242/96

[56] References Cited

U.S. PATENT DOCUMENTS

D. 196,128	8/1963	Wilson	D8/359
D. 278,359	4/1985	Sugimoto	D8/358
D. 280,230	8/1985	Matsui	D8/358

Primary Examiner—Wallace R. Burke
Assistant Examiner—Holly H. Baynham

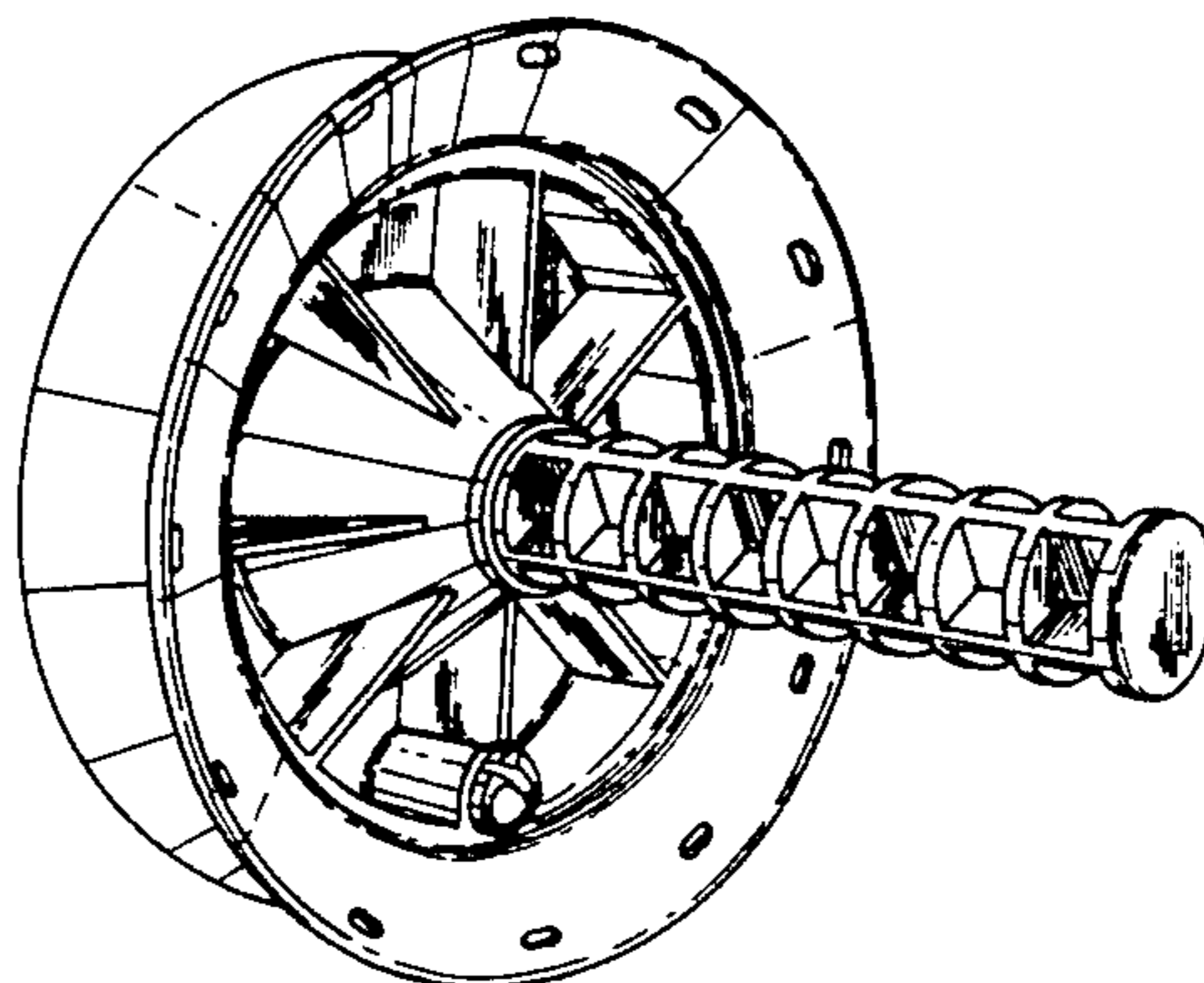
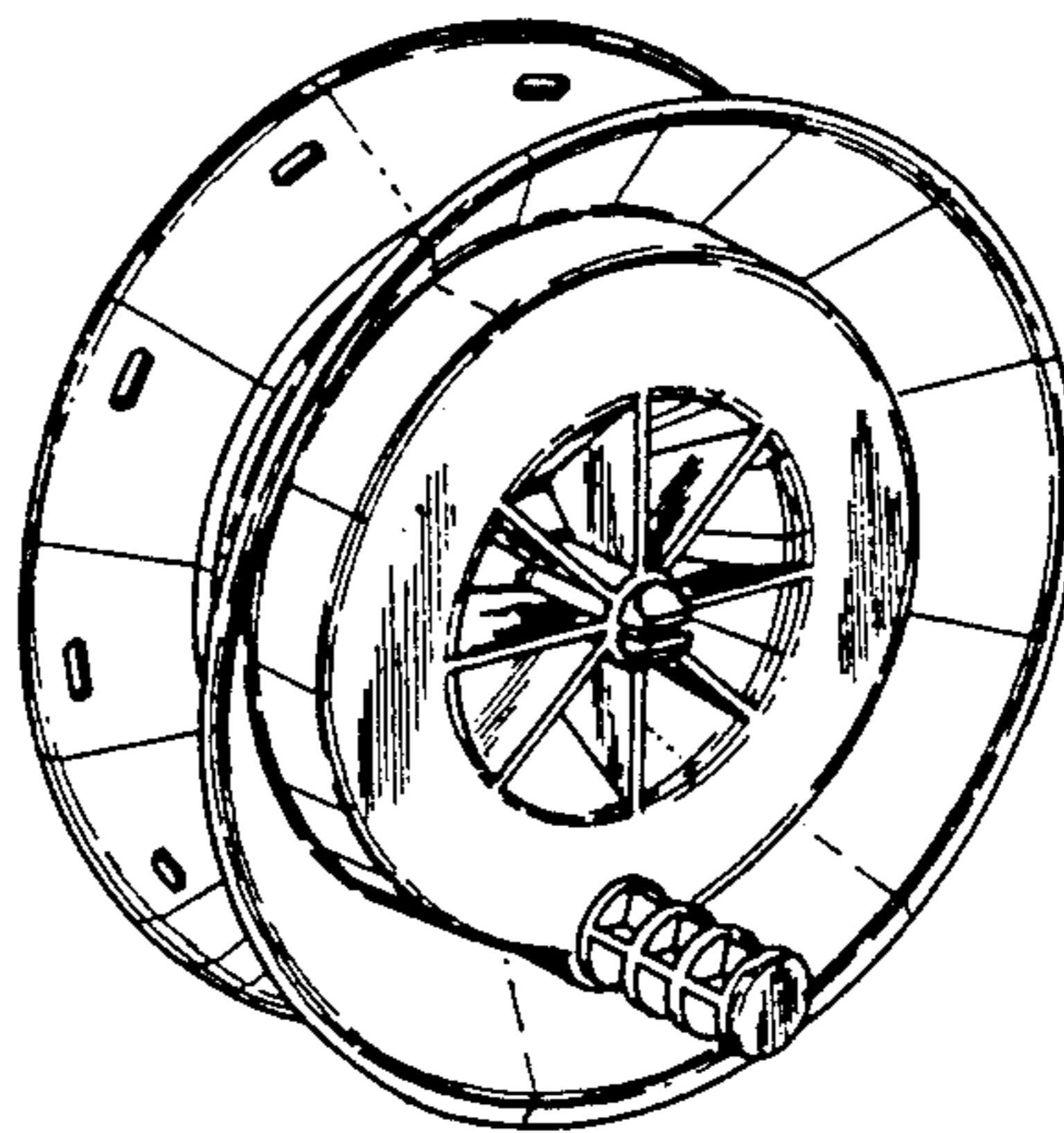
Attorney, Agent, or Firm—Hovey, Williams, Timmons & Collins

[57] CLAIM

The ornamental design for a hand reel, as shown and described.

DESCRIPTION

FIG. 1 is a front perspective view of a hand reel showing my new design;
 FIG. 2 is a rear perspective view thereof;
 FIG. 3 is a front elevational view thereof;
 FIG. 4 is a rear elevational view thereof;
 FIG. 5 is a left side elevational view with the opposite side being a mirror image thereof;
 FIG. 6 is an enlarged partial section taken along line 6—6 of FIG. 3;
 FIG. 7 is an enlarged partial section taken along line 6—6 of FIG. 3 with the handle removed;
 FIG. 8 is a front perspective view of a second embodiment of the design shown in FIG. 1;
 FIG. 9 is a rear perspective view thereof;
 FIG. 10 is a front elevational view thereof;
 FIG. 11 is a rear elevational view thereof;
 FIG. 12 is a left side elevational view with the opposite side being a mirror image thereof;
 FIG. 13 is an enlarged partial section taken along line 7—7 of FIG. 10;
 FIG. 14 is an enlarged partial section taken along line 7—7 of FIG. 10 with the handle removed.



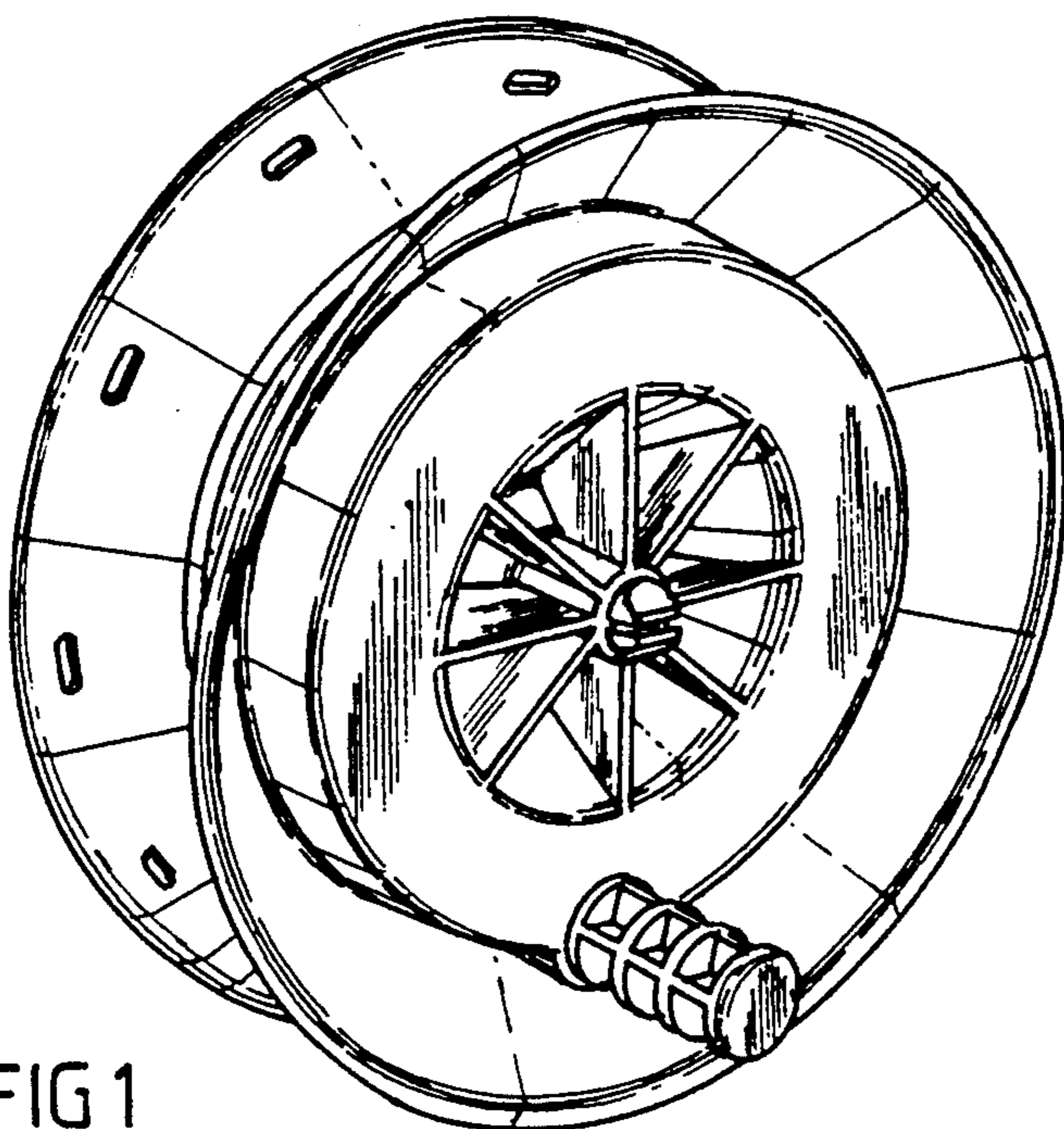


FIG 1

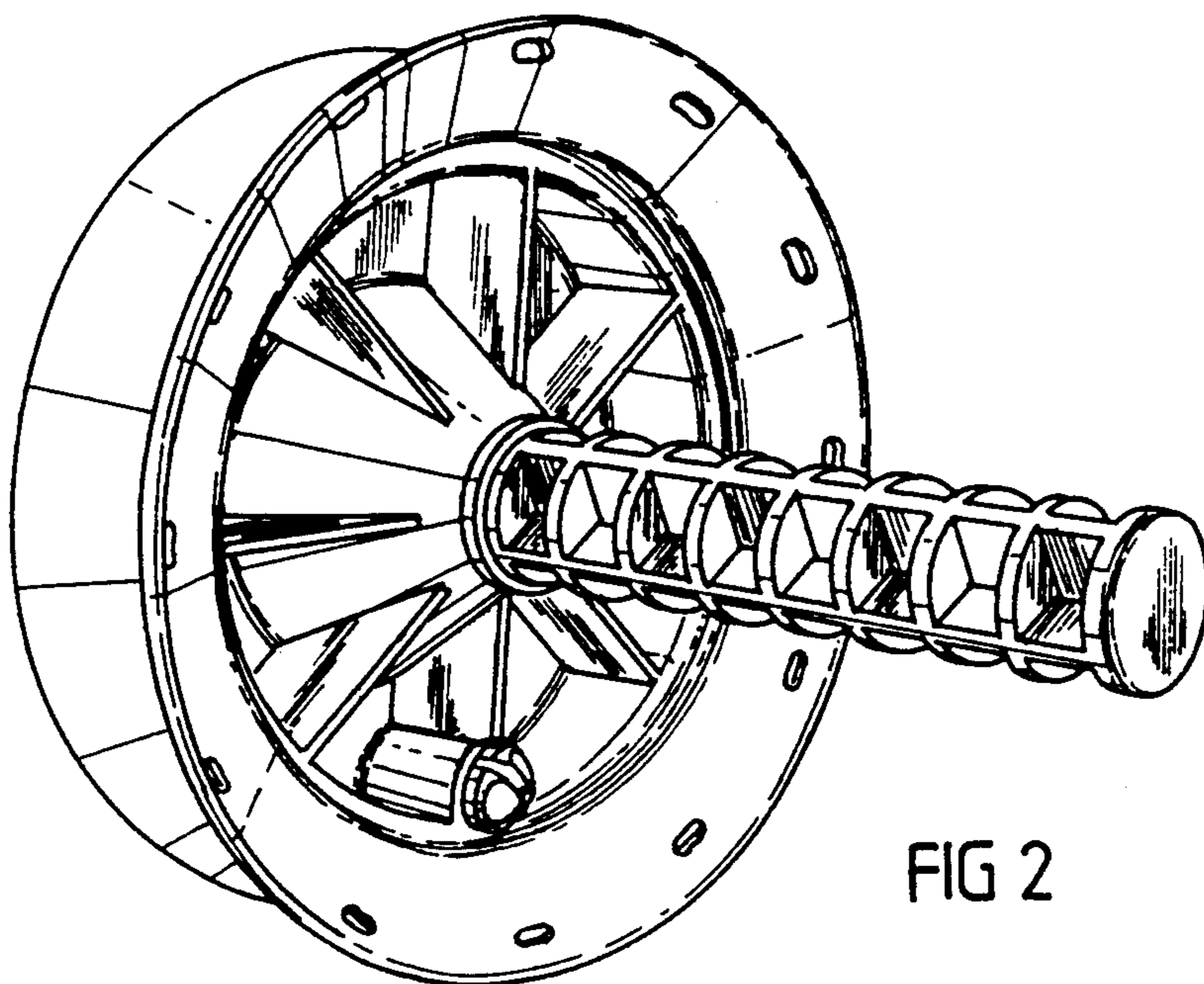


FIG 2

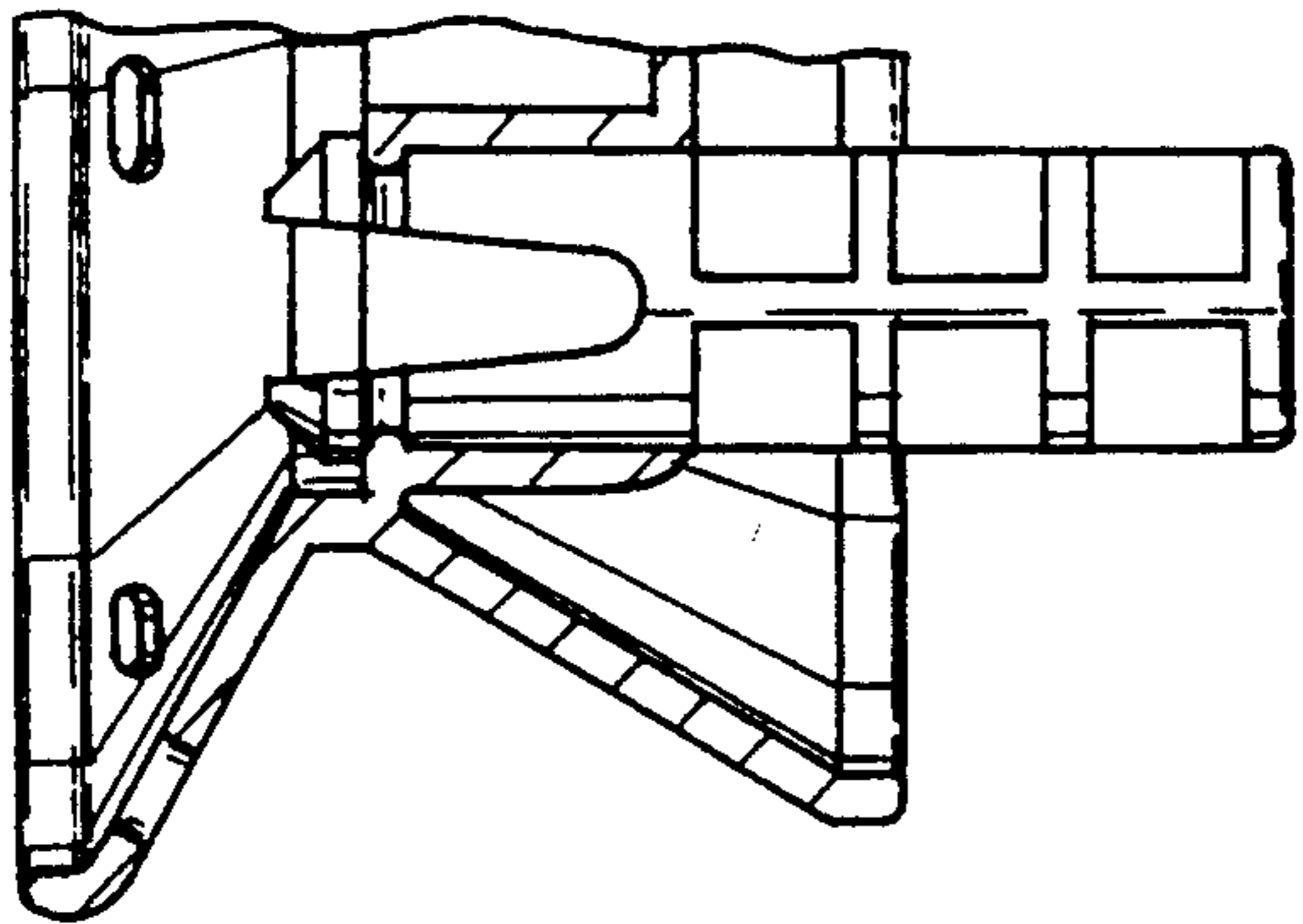


FIG 6

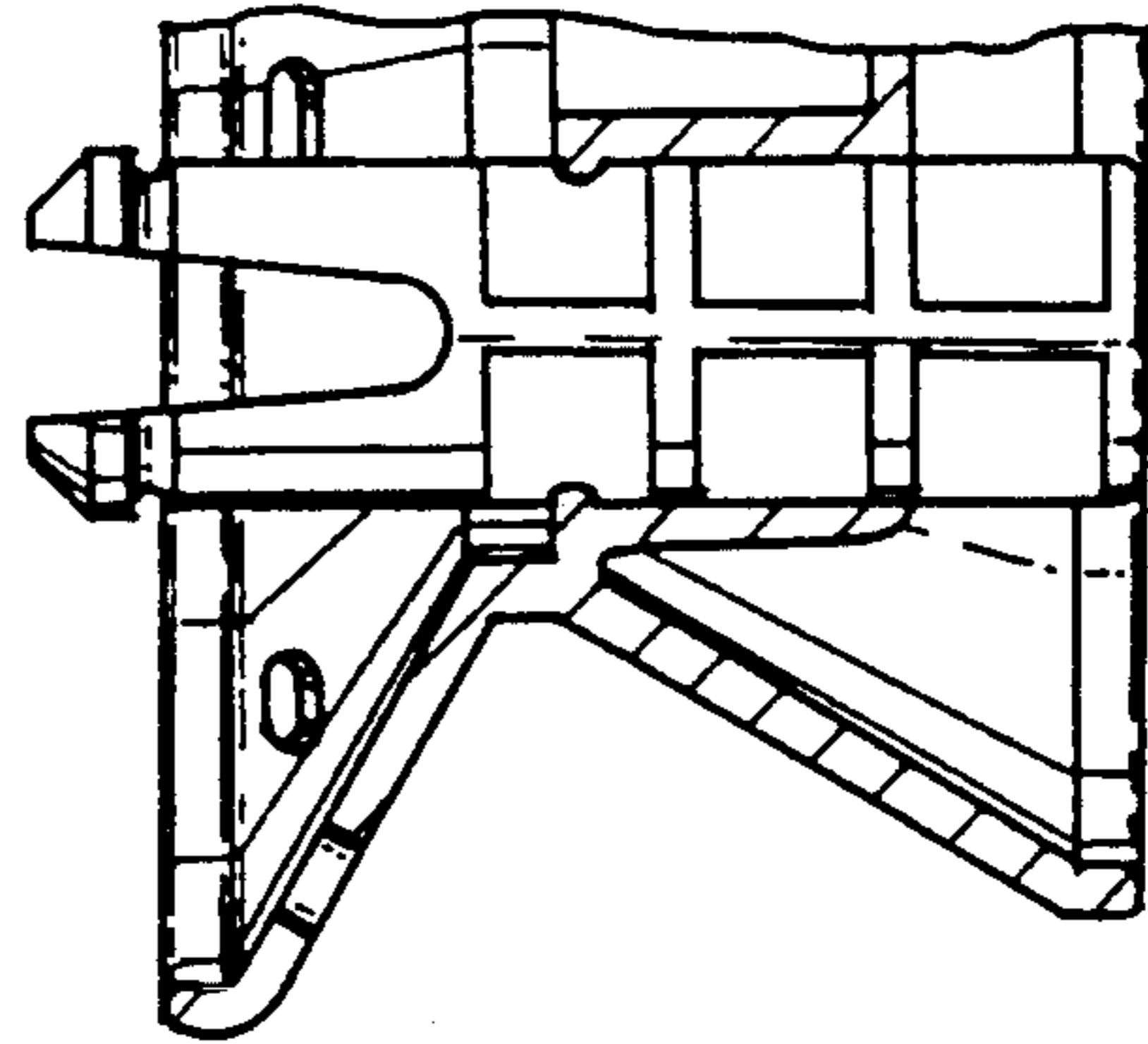


FIG 7

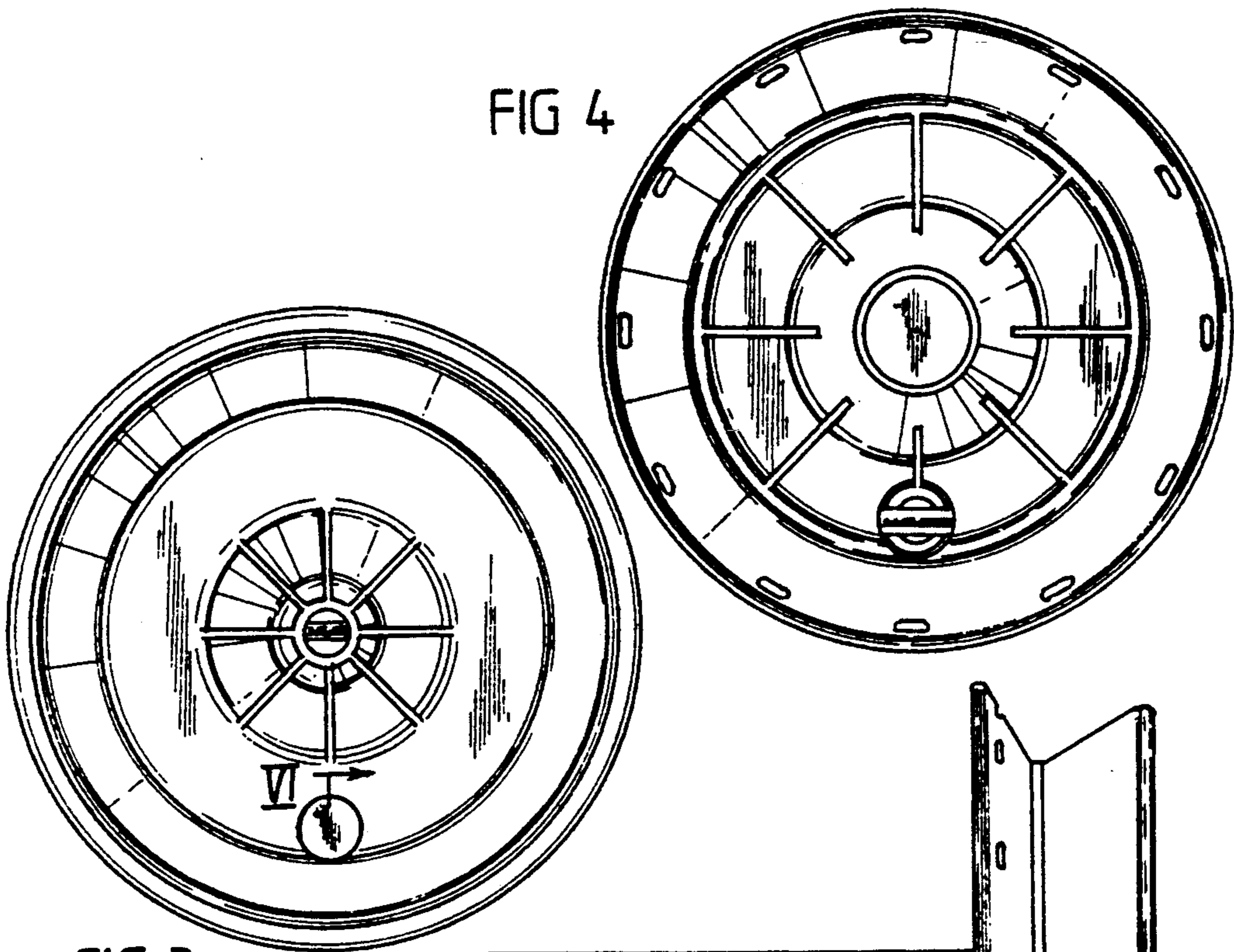


FIG 4

FIG 3

VI →

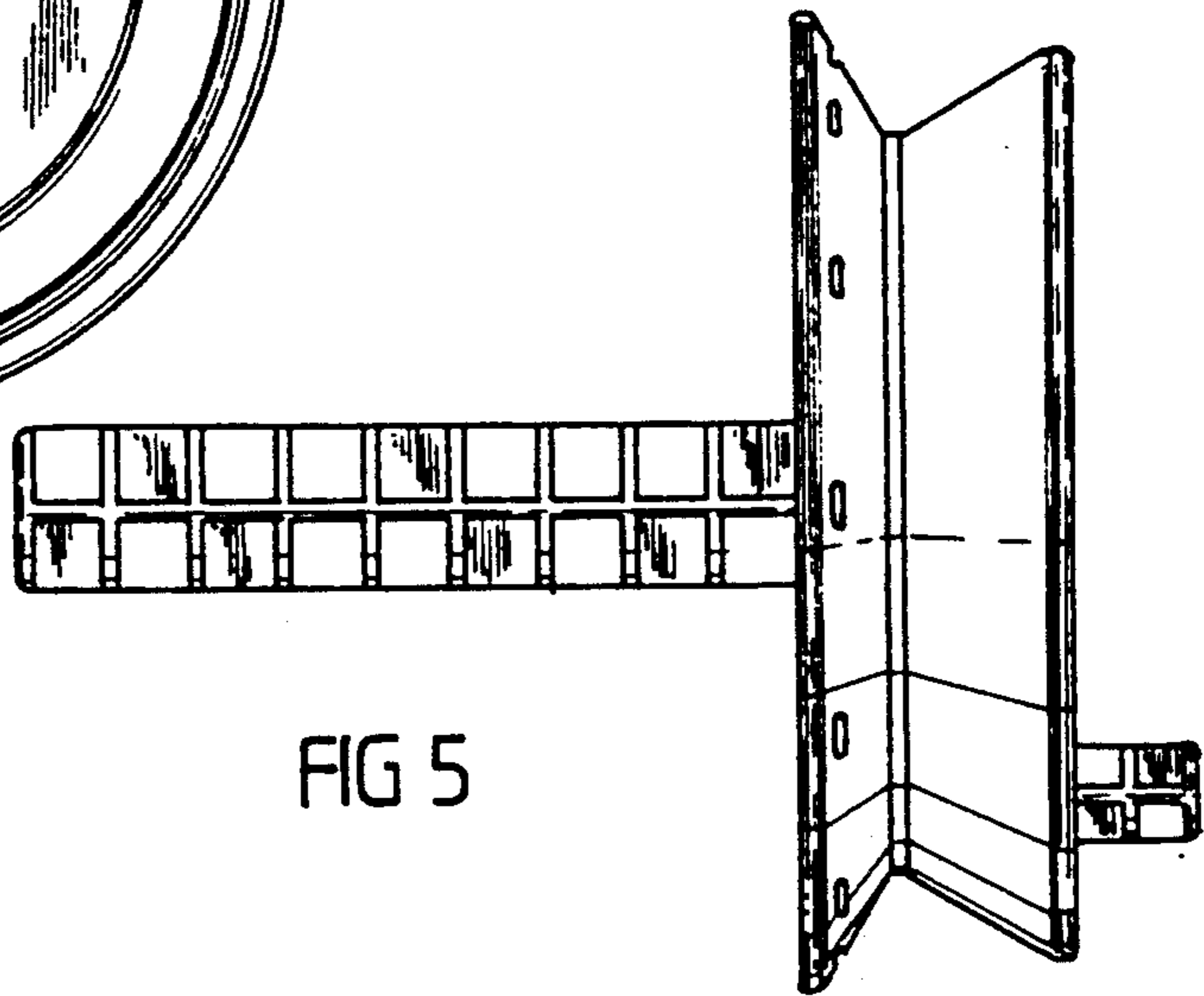
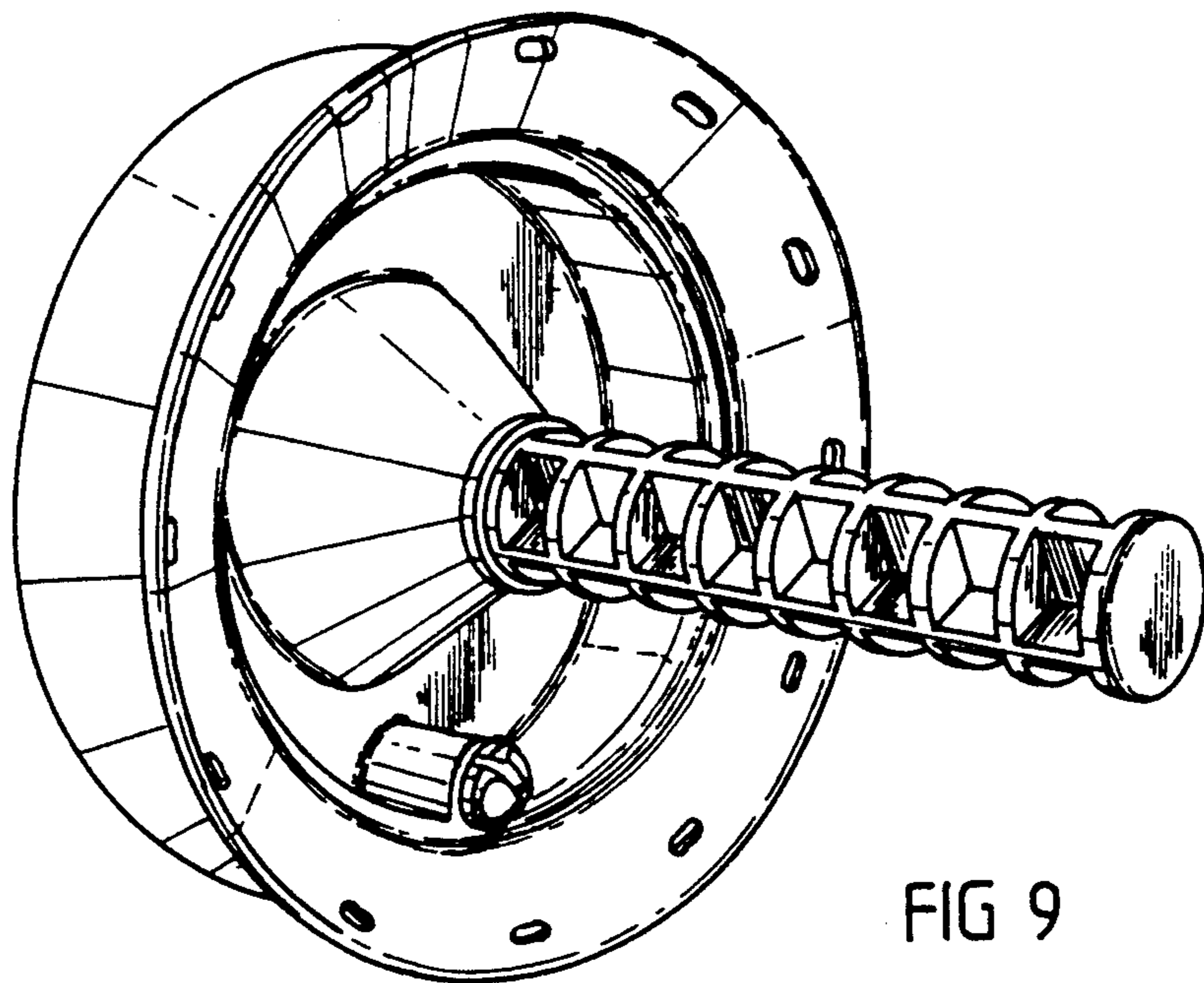
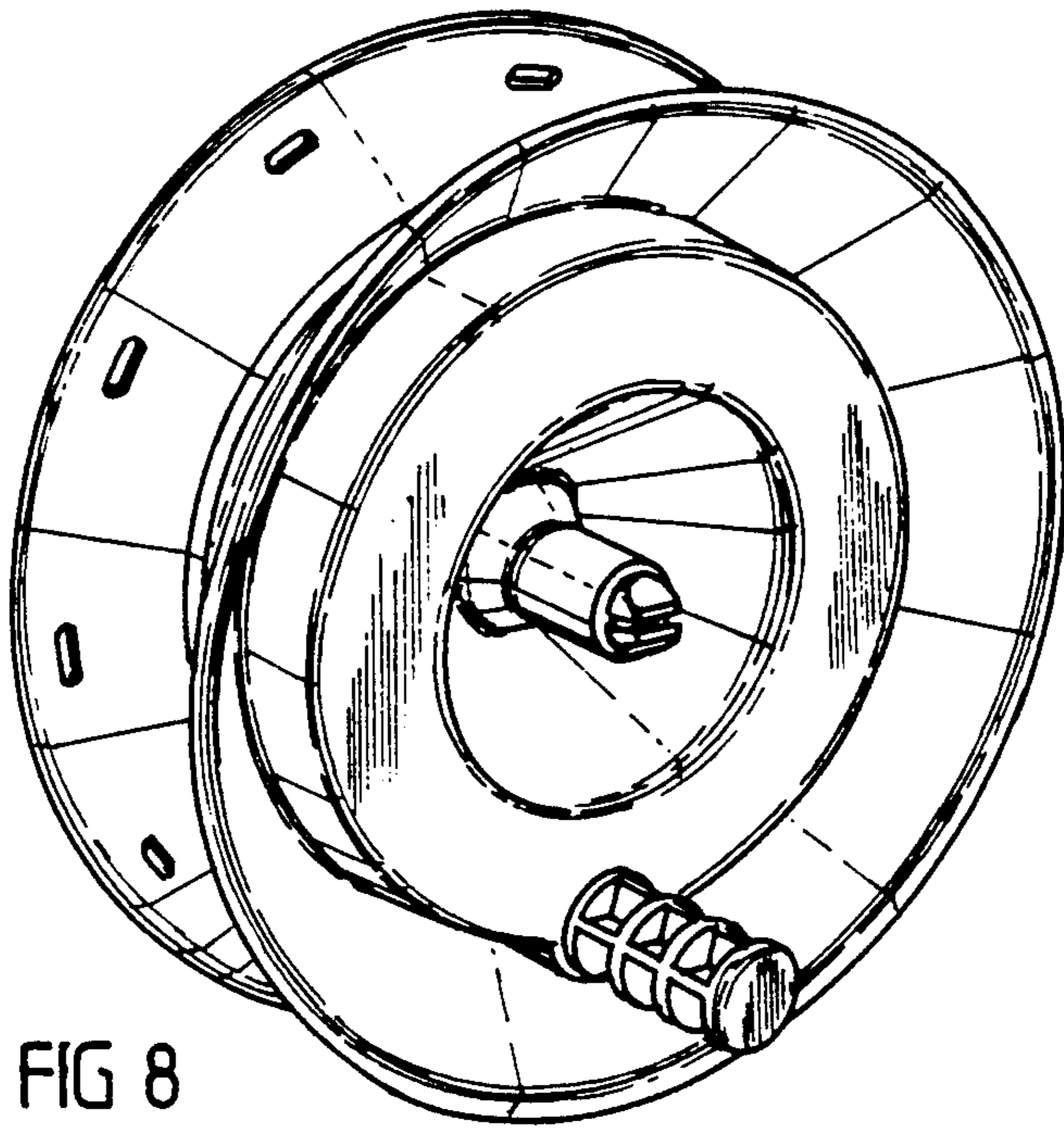


FIG 5



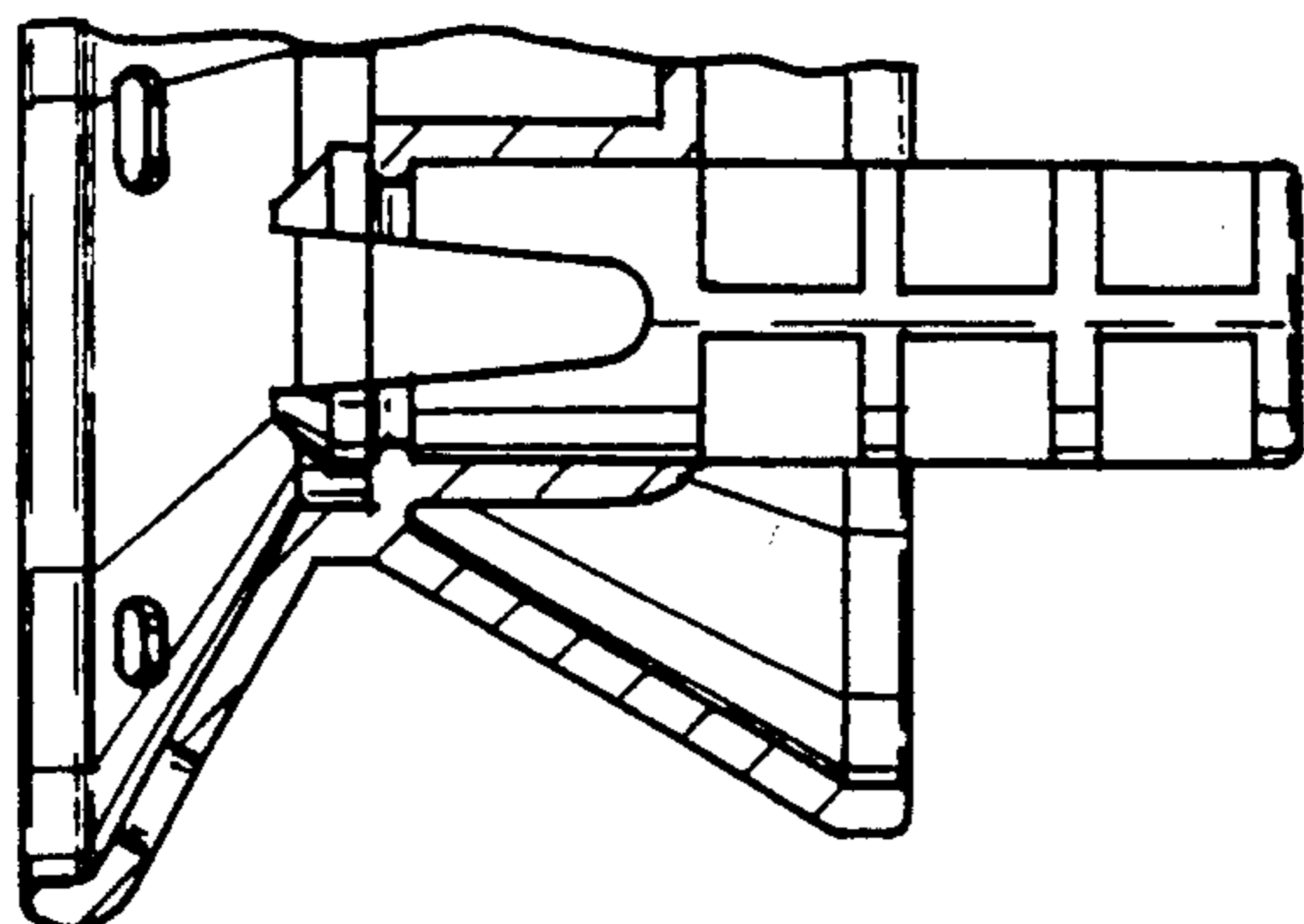


FIG 13

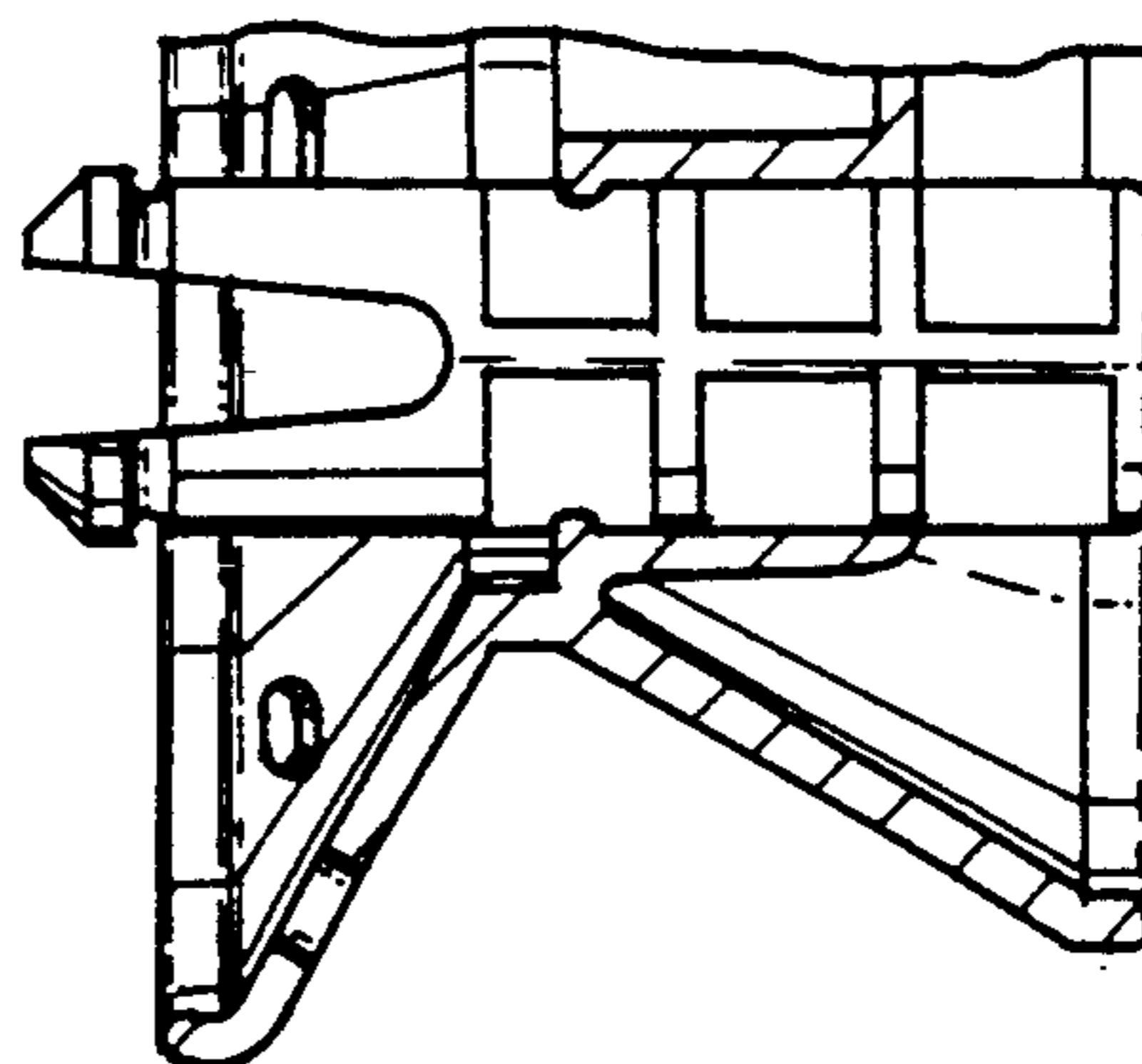


FIG 14

FIG 11

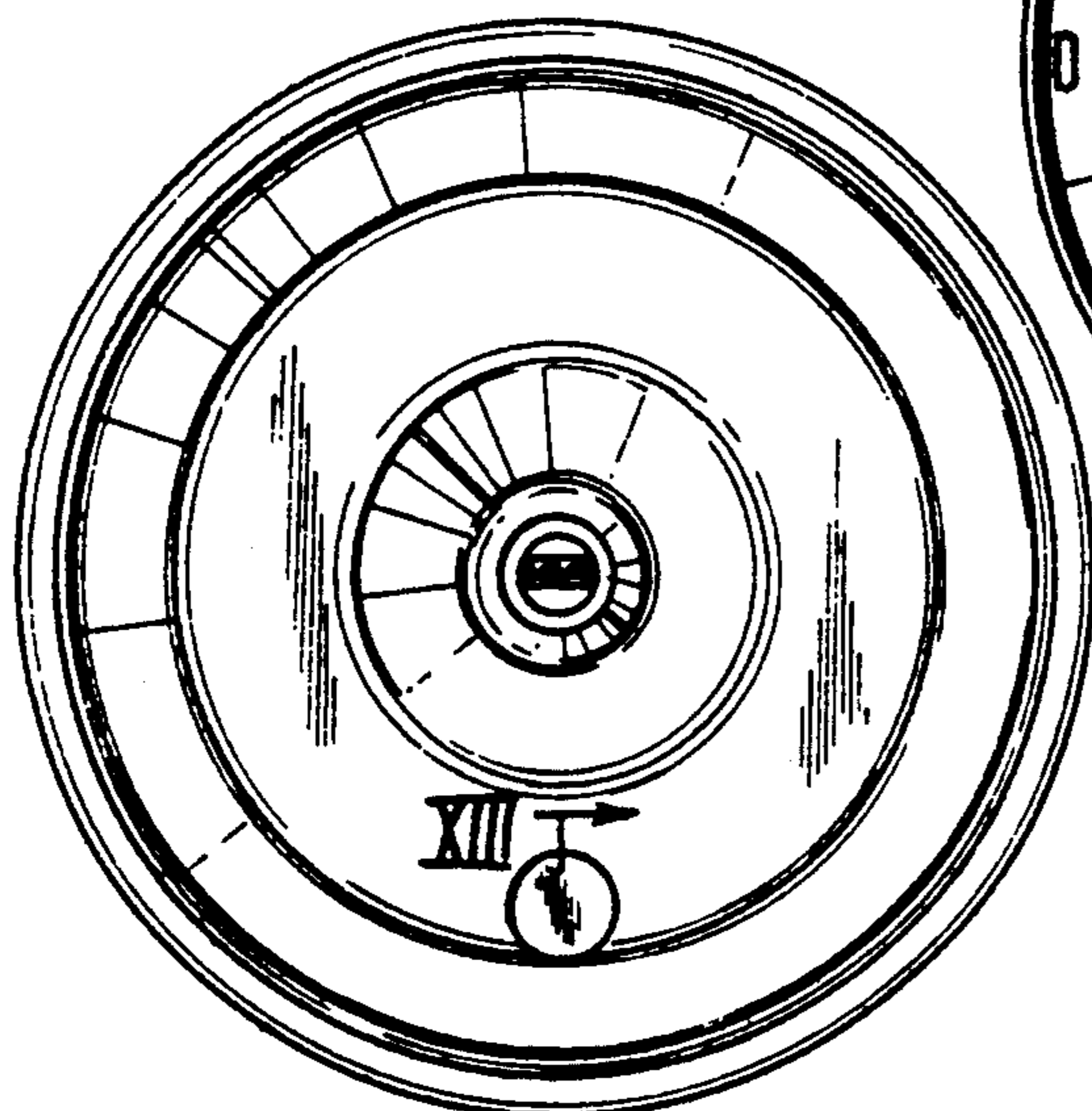
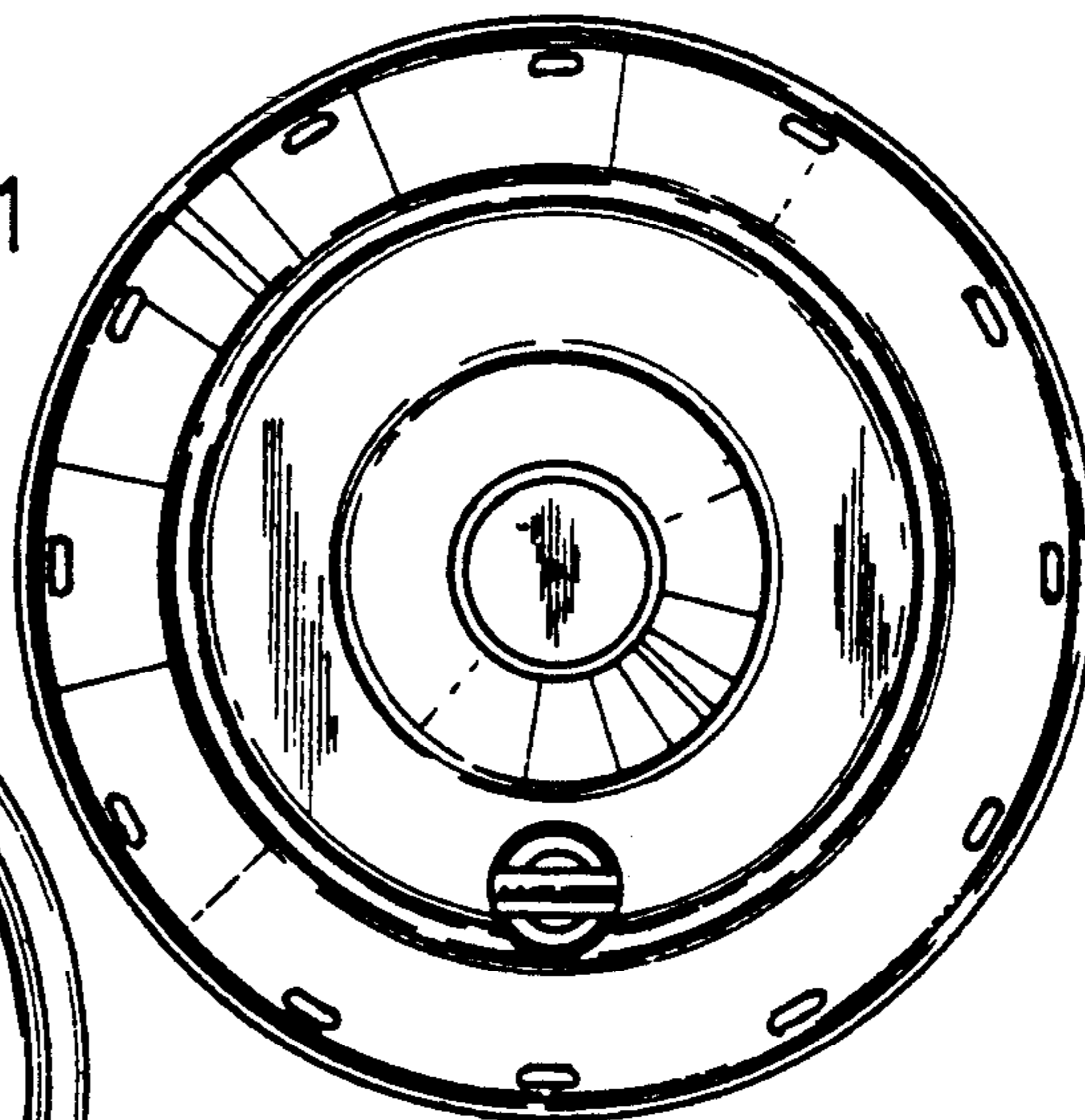


FIG 10 XIII →

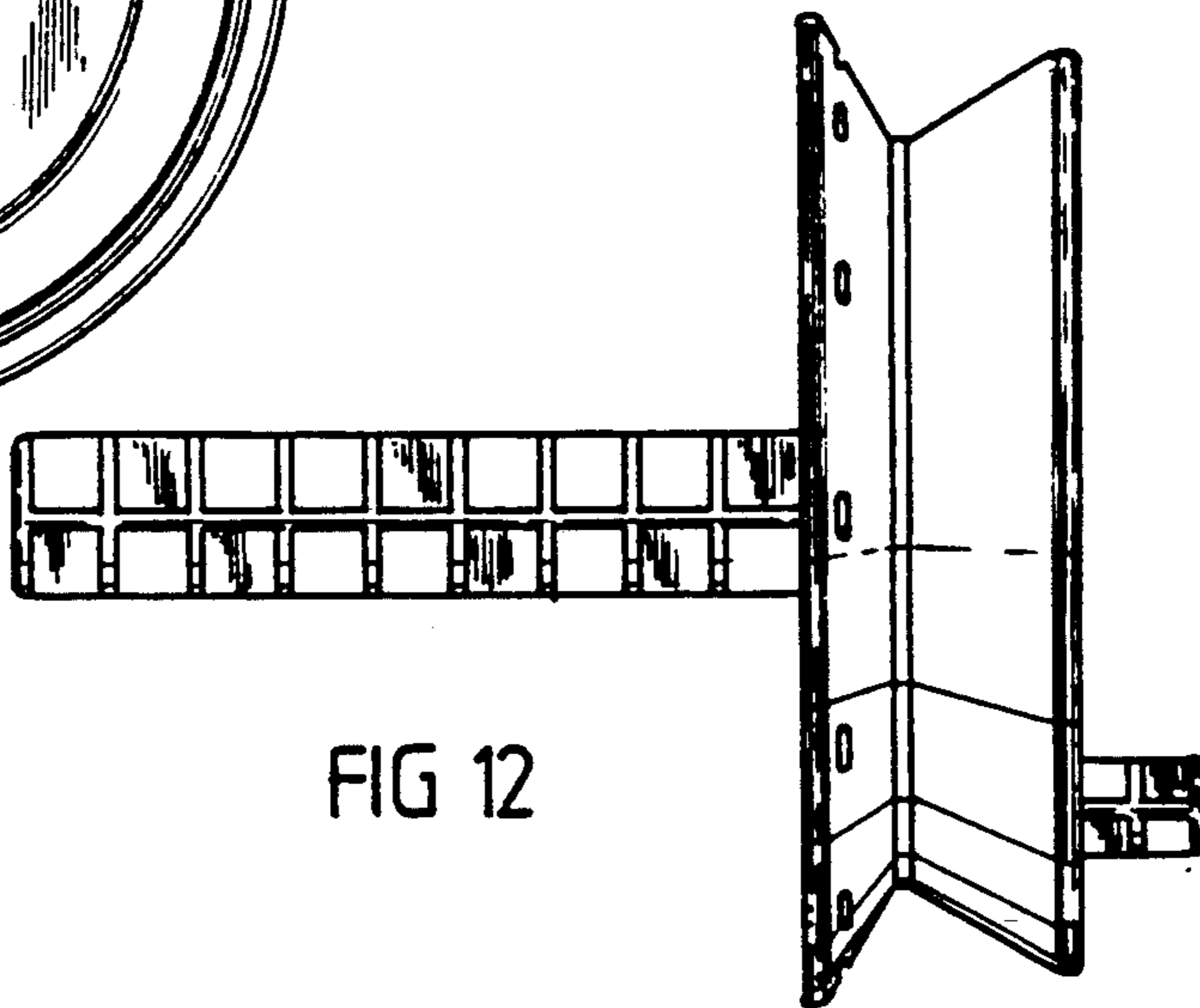


FIG 12