

# United States Patent [19]

Barbour et al.

[11] Patent Number: **Des. 320,925**

[45] Date of Patent: **\*\* Oct. 22, 1991**

[54] **DOUBLE-LOCKING ANCHOR CHAIN TENSIONER**

[75] Inventors: **Robert G. Barbour**, 4238 Collidge Ave., Mar Vista, Calif. 90066; **Glenn A. Smith**, Mar Vista, Calif.

[73] Assignee: **Robert G. Barbour**, Los Angeles, Calif.

[\*\*] Term: **14 Years**

[21] Appl. No.: **383,341**

[22] Filed: **Jul. 19, 1989**

[52] U.S. Cl. .... **D8/356**

[58] Field of Search ..... **D8/356, 382-383, D8/395; 24/68 CT, 136 R, 71.1, 68 CD, 70 CT; 226/195; D32/60; 254/247**

[56] **References Cited**

**U.S. PATENT DOCUMENTS**

D. 293,886 1/1988 Chang ..... **D8/395**

3,861,641 1/1975 Kolic ..... 24/136 R X  
4,570,305 2/1986 Smetz et al. .... 24/68 CD  
4,584,741 4/1986 Kawahara ..... 24/68 CD  
4,951,365 8/1990 Loyd ..... 24/68 CD

*Primary Examiner*—Wallace R. Burke

*Assistant Examiner*—H. Baynham

*Attorney, Agent, or Firm*—Poms, Smith, Lande & Rose

[57] **CLAIM**

The ornamental design for a double-locking anchor chain tensioner, as shown and described.

### DESCRIPTION

FIG. 1 is a perspective view of a double locking anchor chain tensioner showing our new design; FIG. 2 is a front elevational view thereof; FIG. 3 is a rear elevational view thereof; FIG. 4 is a left side elevational view thereof; FIG. 5 is a right side elevational view thereof; FIG. 6 is a top plan view thereof; FIG. 7 is a bottom plan view thereof.

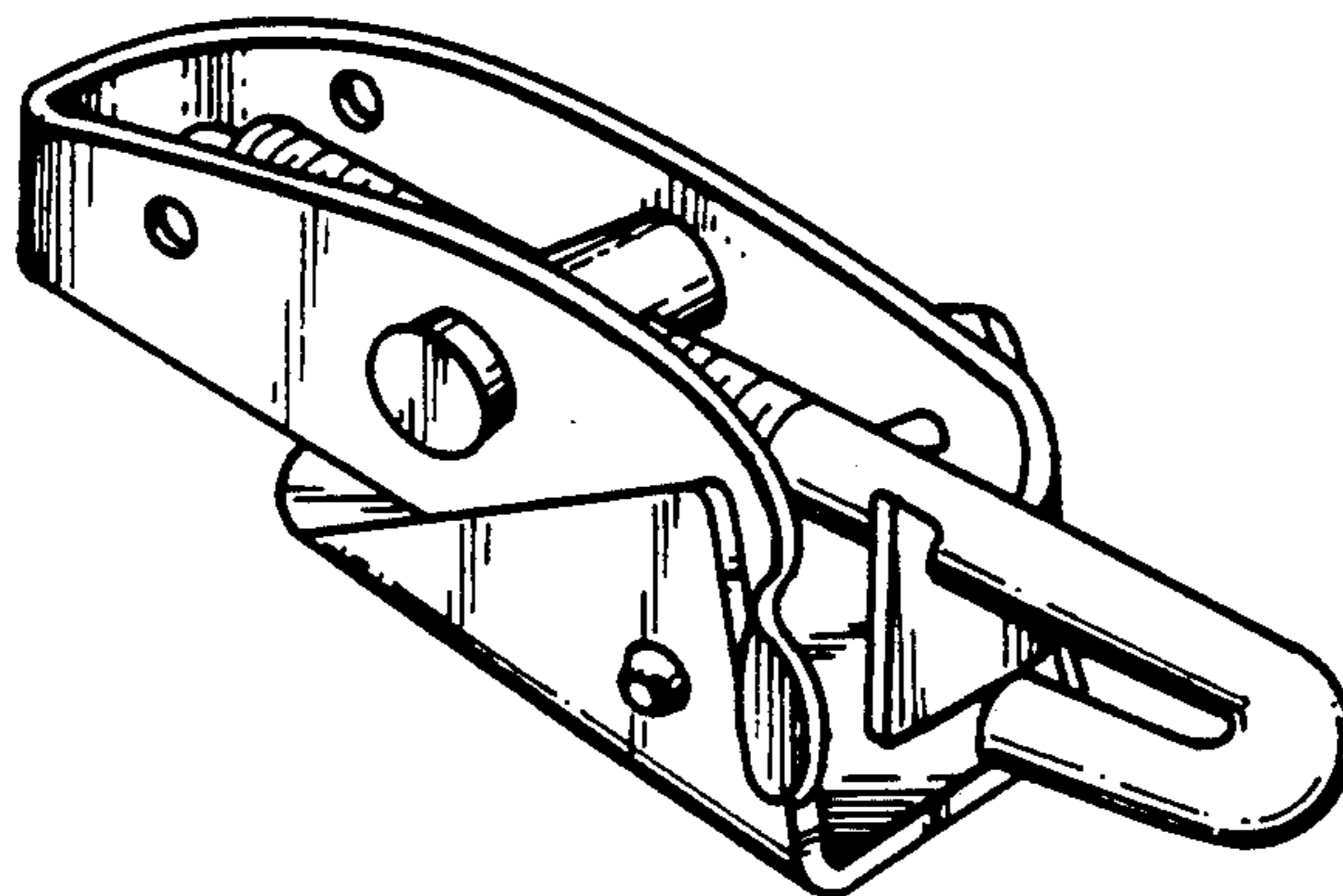


FIG. 1

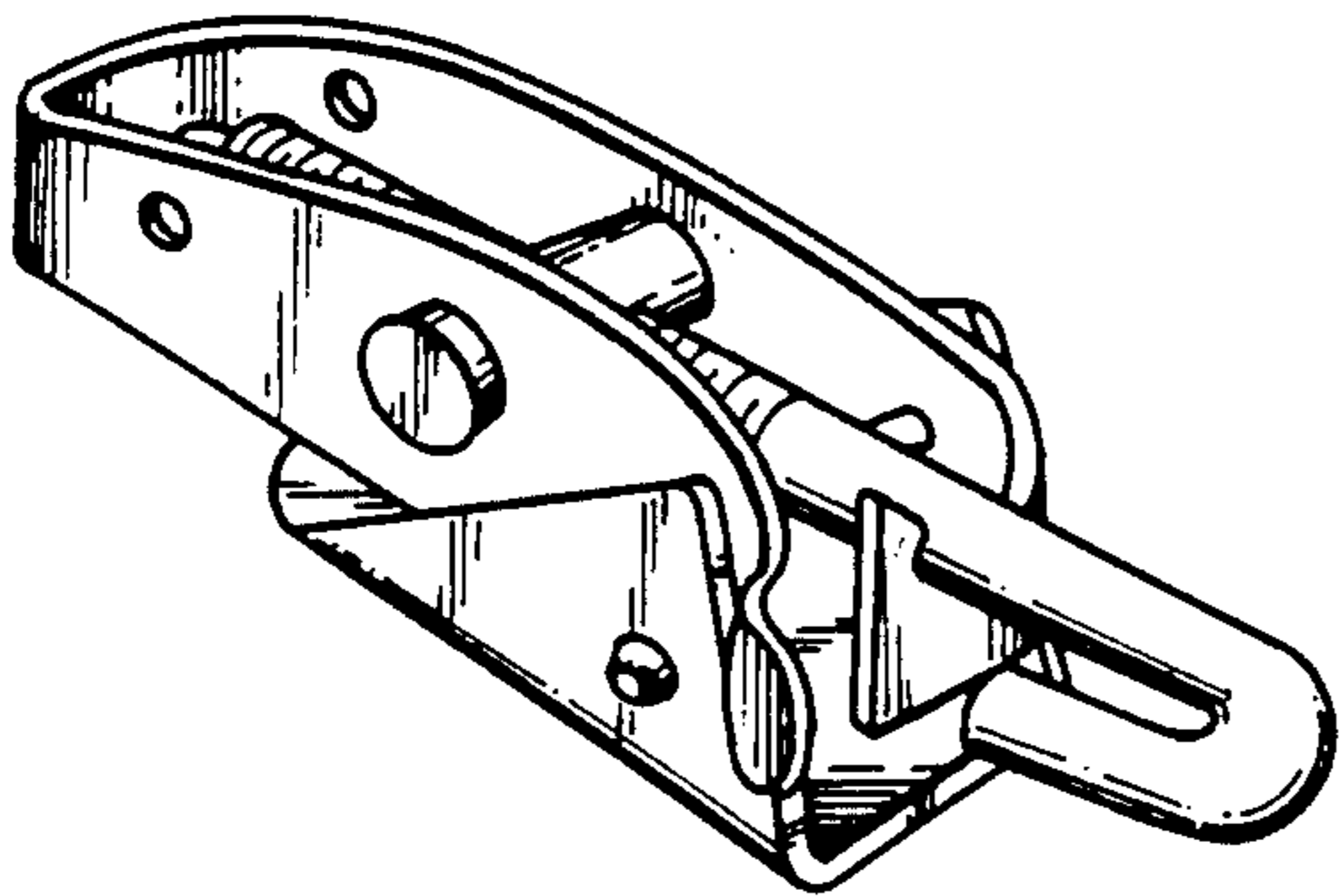


FIG. 2

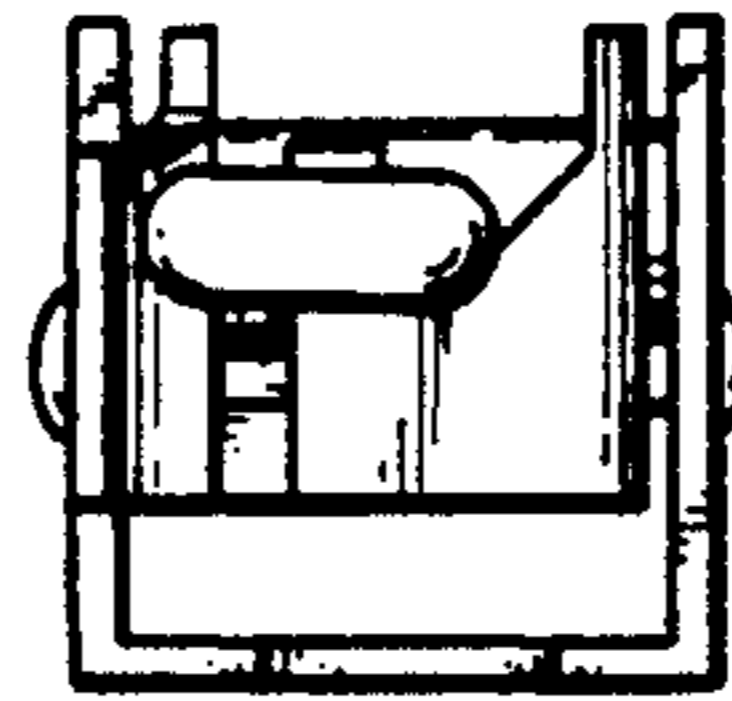


FIG. 3

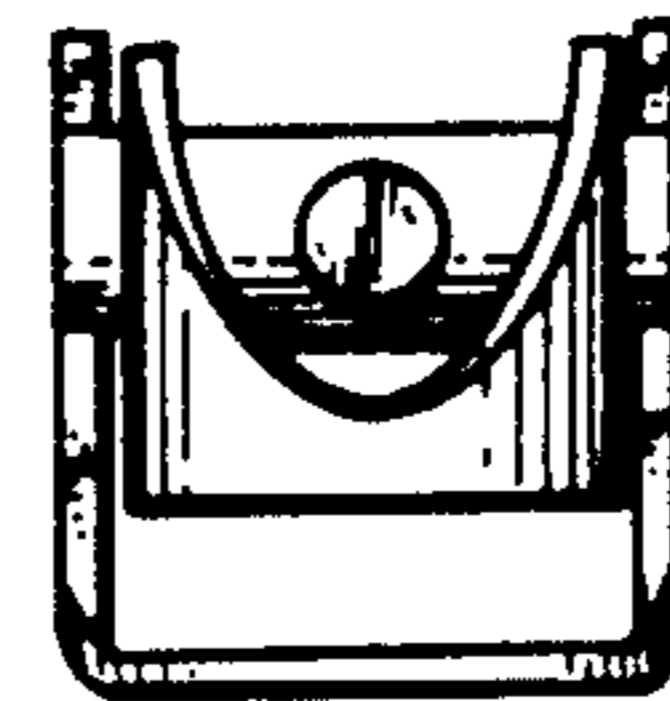


FIG. 4

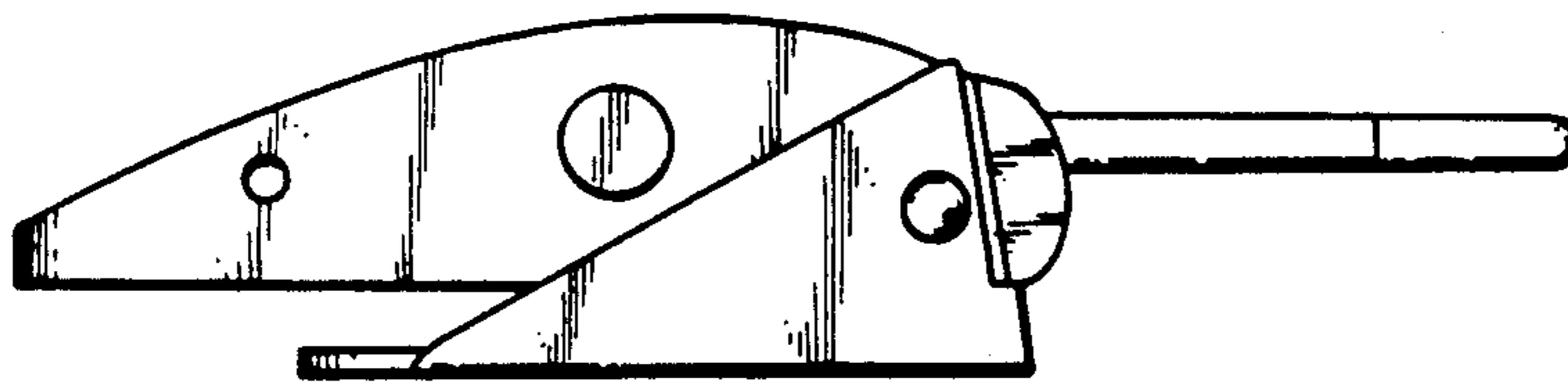


FIG. 5

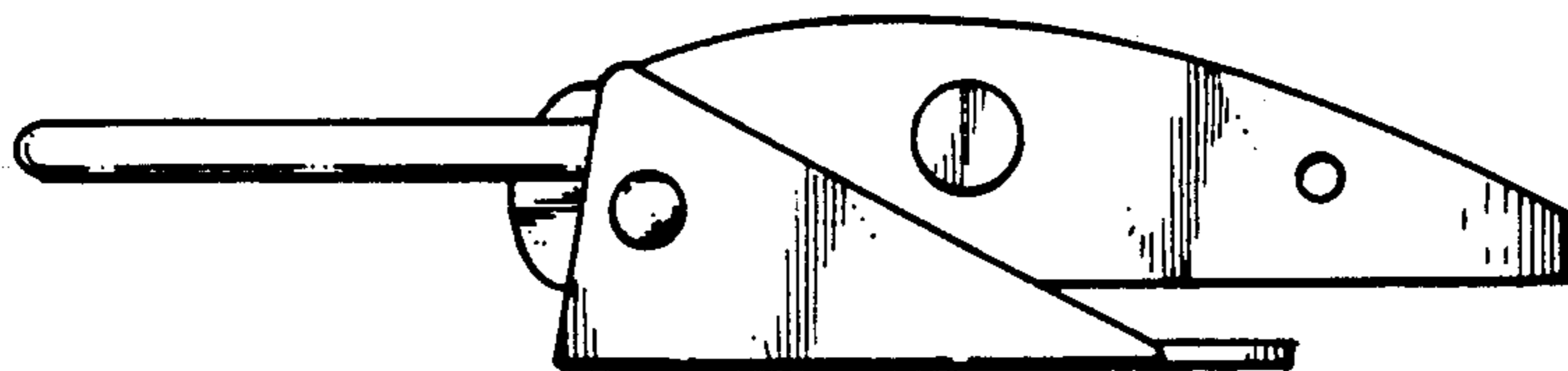


FIG. 6

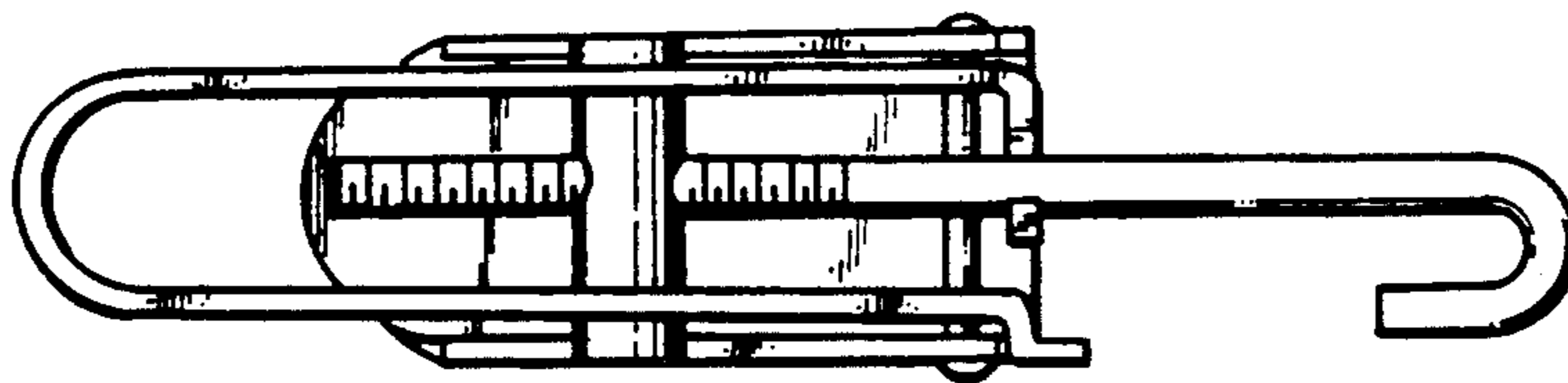


FIG. 7

