

- [54] PIVOTING LATCH FOR SECURING THE LID OF A CONTAINER
- [76] Inventor: Laurance A. Harris, 15553 Peach Leaf La., Gaithersburg, Md. 20878
- [**] Term: 14 Years
- [21] Appl. No.: 408,319
- [22] Filed: Sep. 18, 1989
- [52] U.S. Cl. D8/336
- [58] Field of Search D8/331; 336, 338, 342-343; D7/601-603; D9/435; 292/281, 285, 304, DIG. 11, DIG. 38; 220/DIG. 10, 200, 244, 250, 315, 318, 324

3,499,525 3/1970 Kanter 220/324 X
 4,592,482 6/1986 Seager D7/605 X

Primary Examiner—Brian N. Vinson
 Attorney, Agent, or Firm—Michael W. York

[57] CLAIM

The ornamental design for a pivoting latch for securing the lid of a container, as shown and described.

DESCRIPTION

FIG. 1 is a top, front, and left side perspective view of a pivoting latch for securing the lid of a container showing my new design;
 FIG. 2 is a top, rear, and right side perspective view thereof;
 FIG. 3 is a reduced front elevational view thereof;
 FIG. 4 is a reduced top plan view thereof;
 FIG. 5 is a reduced bottom plan view thereof;
 FIG. 6 is a reduced rear elevational view thereof; and
 FIG. 7 is a reduced right side elevational view thereof, the left side being a mirror image of that shown.

- [56] References Cited
- U.S. PATENT DOCUMENTS
- D. 210,686 4/1968 Woolworth D8/342 X
- D. 268,559 4/1983 Cornou D7/605
- D. 311,476 10/1990 Kumakura D7/605
- 3,186,574 6/1965 Davidson 220/324 X

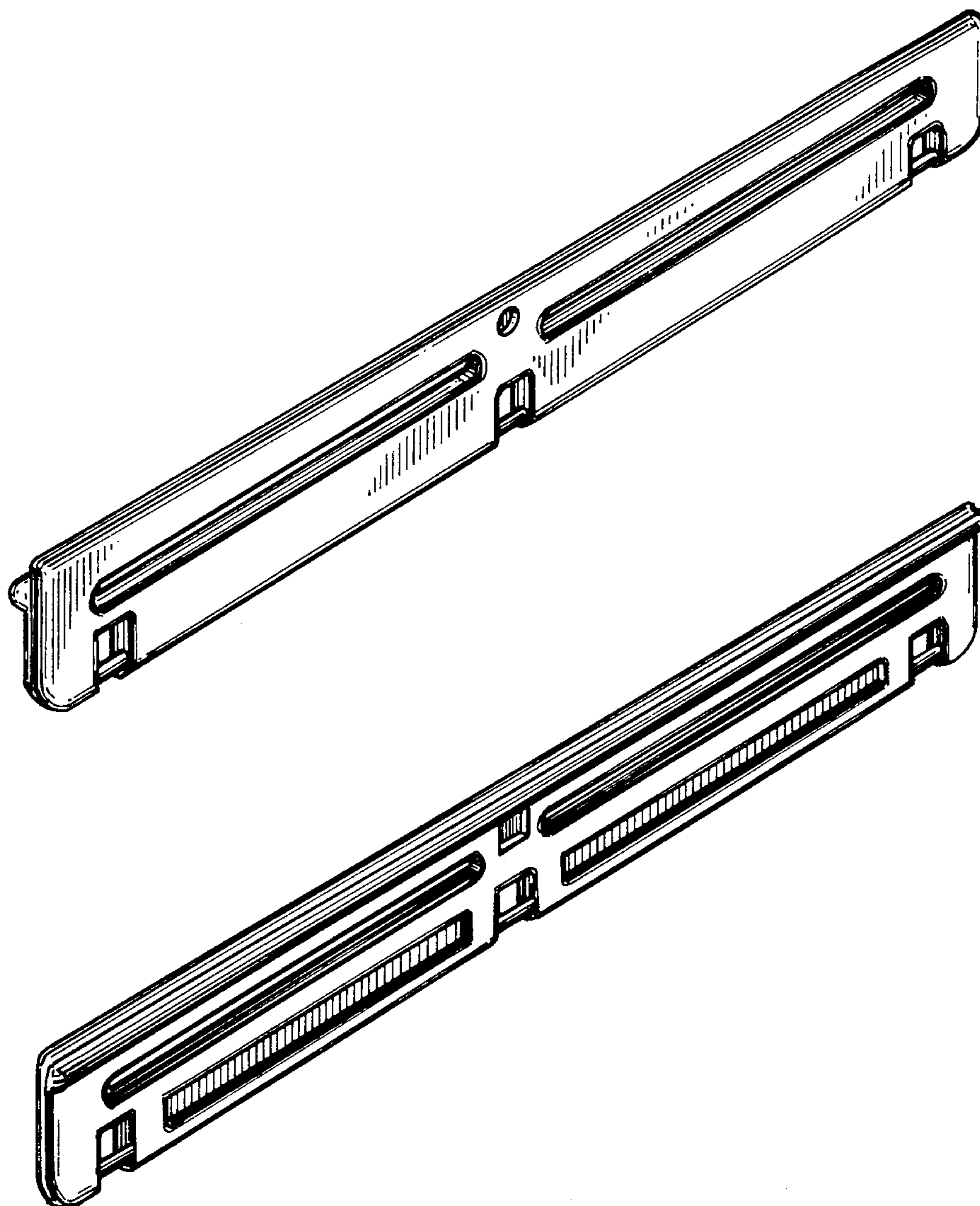


Fig. 1

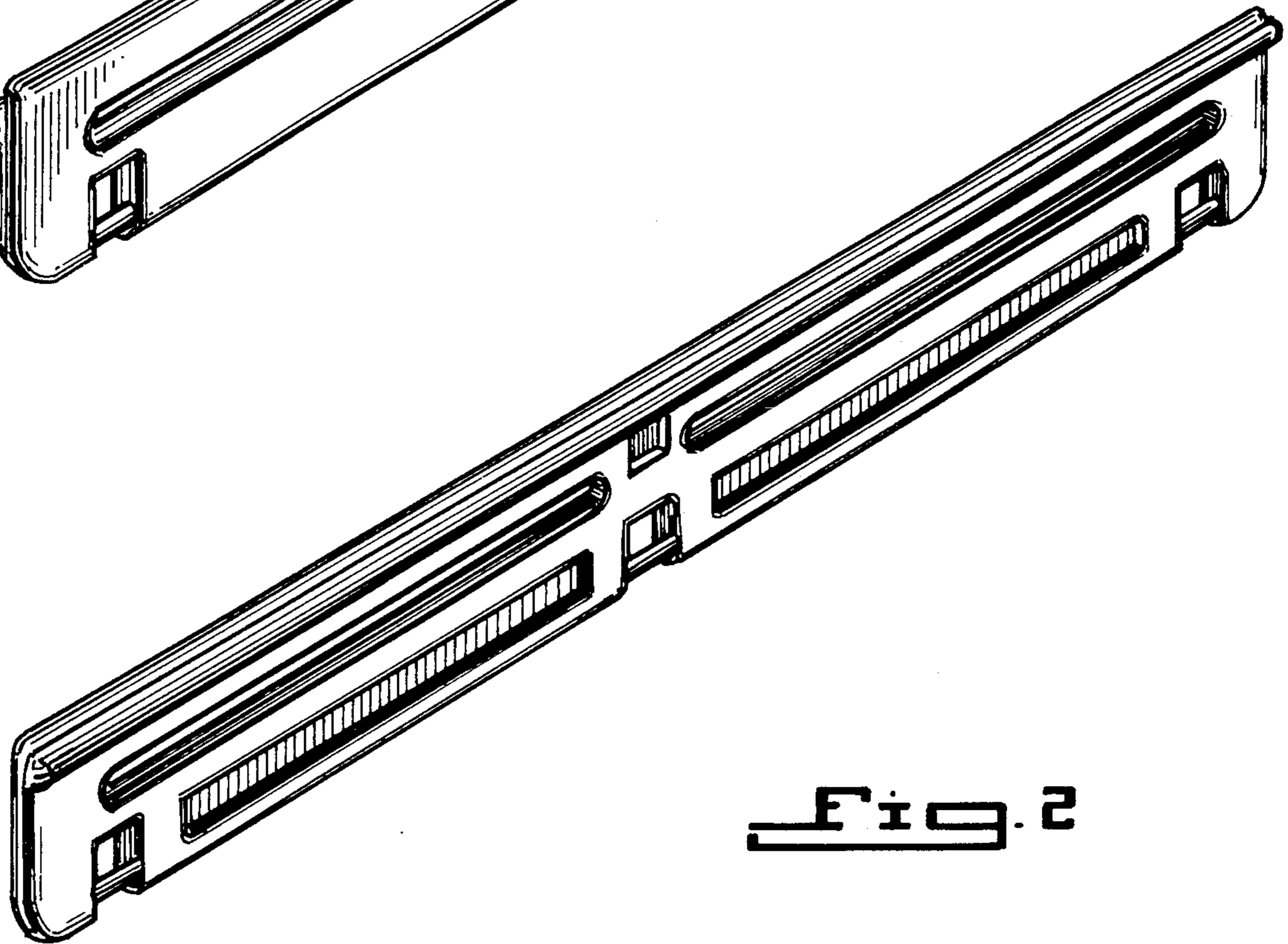
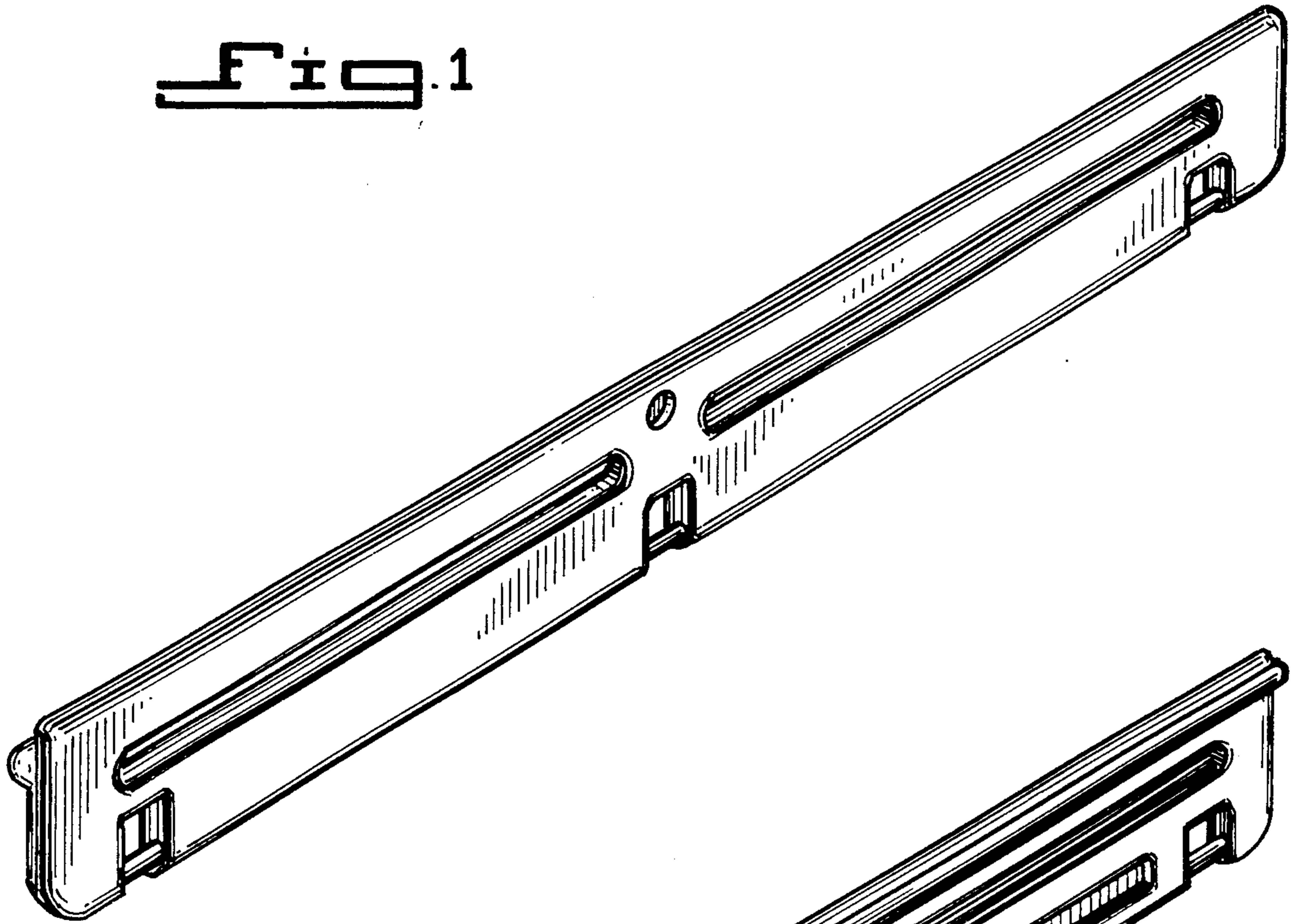


Fig. 2

Fig. 3

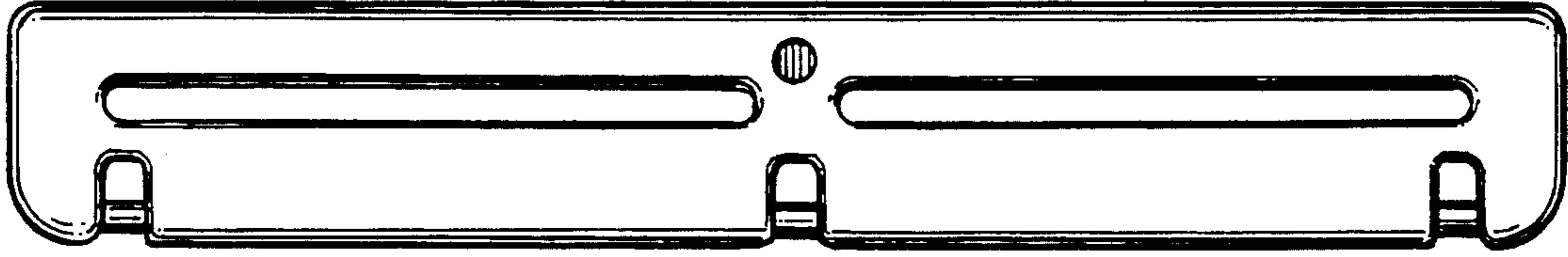


Fig. 4

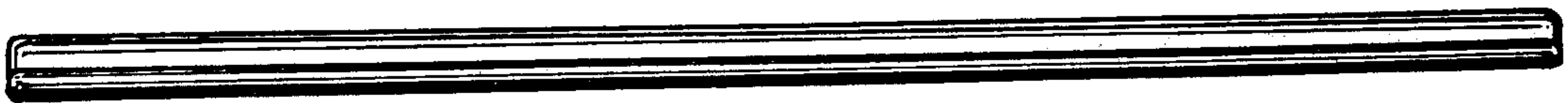


Fig. 5



Fig. 6

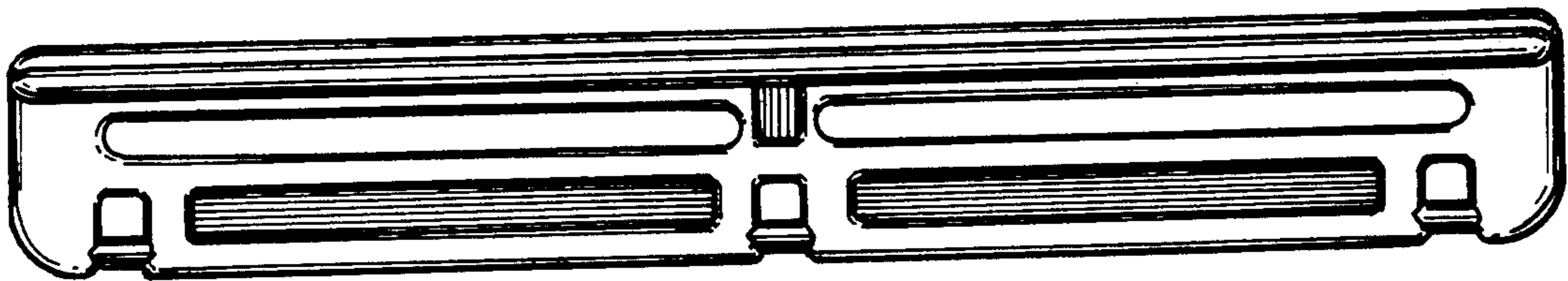


Fig. 7