

[54] FISH HOOK SHARPENER

[76] Inventor: Lamar R. Madsen, 2220 SE. 132nd Ct., Vancouver, Wash. 98684

[\*\*] Term: 14 Years

[21] Appl. No.: 254,667

[22] Filed: Oct. 7, 1988

[52] U.S. Cl. .... D8/91; D8/90; D8/94

[58] Field of Search ..... D8/91, 90, 92, 93, 53, D8/35, 61, 62, 67, 69, 70; D15/125; 72/479; 76/5.1; 51/7, 201, 214, 128, 273

[56] References Cited

U.S. PATENT DOCUMENTS

- D. 216,358 12/1969 Gagne ..... D8/91
- D. 264,176 5/1982 Linden ..... D8/93
- D. 269,940 8/1983 Hirosawa ..... D8/93
- D. 303,757 10/1989 McClellan ..... D8/91

- D. 306,551 3/1990 Yuen ..... D8/61 X
- 3,797,334 3/1974 Sinclair ..... D8/91

Primary Examiner—Bruce W. Dunkins  
Assistant Examiner—Monica Hannon  
Attorney, Agent, or Firm—Chernoff, Vilhauer, McClung & Stenzel

[57] CLAIM

The ornamental design for a fish hook sharpener, as shown and described.

DESCRIPTION

FIG. 1 is a top plan view of a fish hook sharpener showing my new design, the bottom plan view being a mirror image thereof;

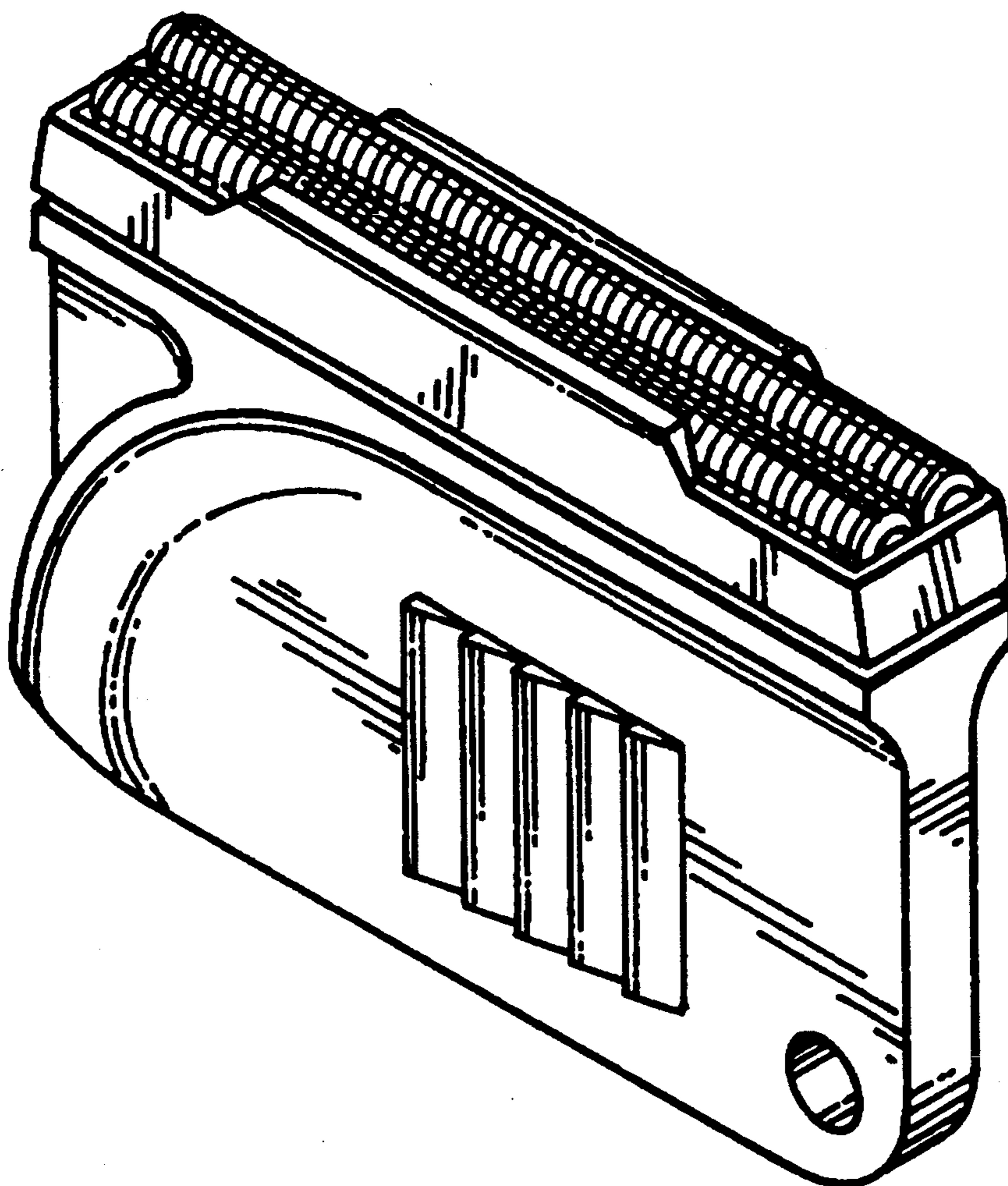
FIG. 2 is a left side elevational view thereof;

FIG. 3 is a right side elevational view thereof;

FIG. 4 is an end elevational view thereof;

FIG. 5 is an elevational view showing the end opposite that is shown in FIG. 4; and

FIG. 6 is a perspective view thereof on a reduced scale.



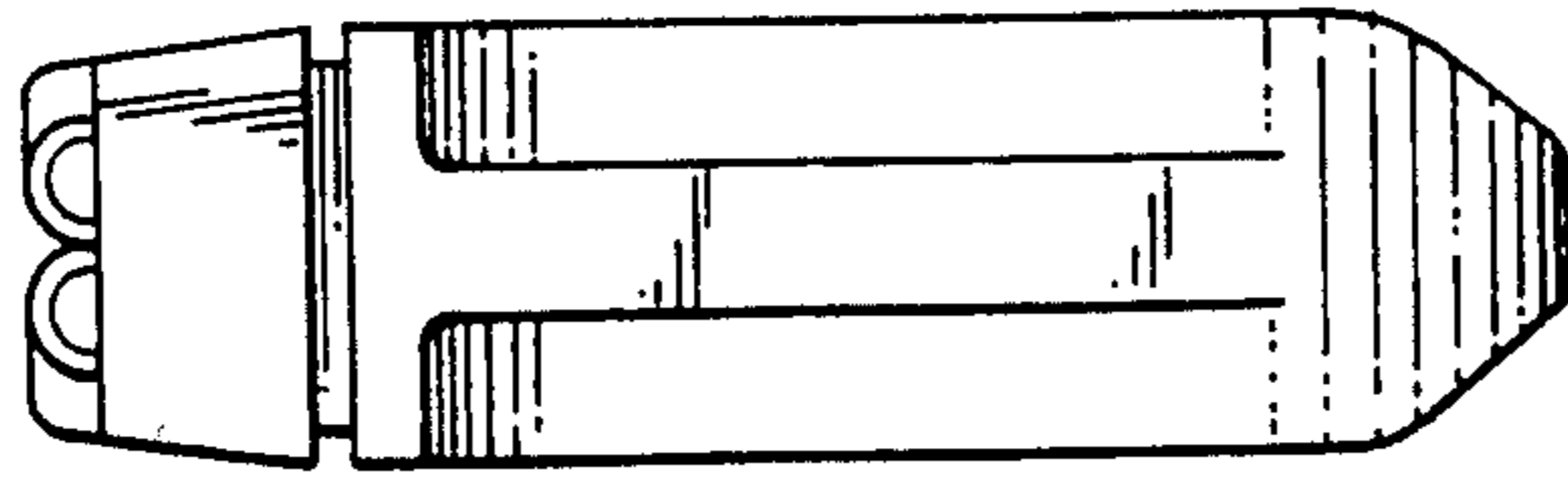


FIG. 4

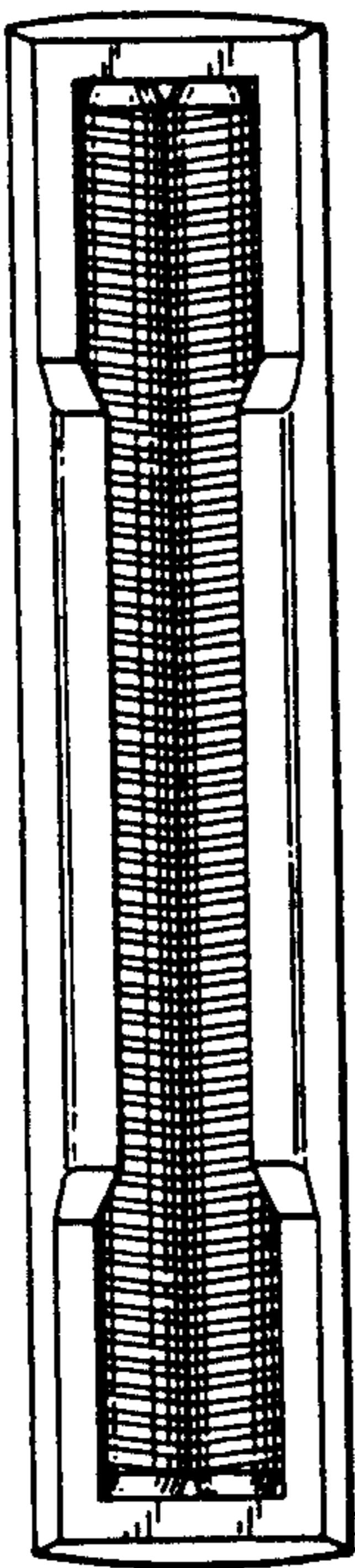


FIG. 2

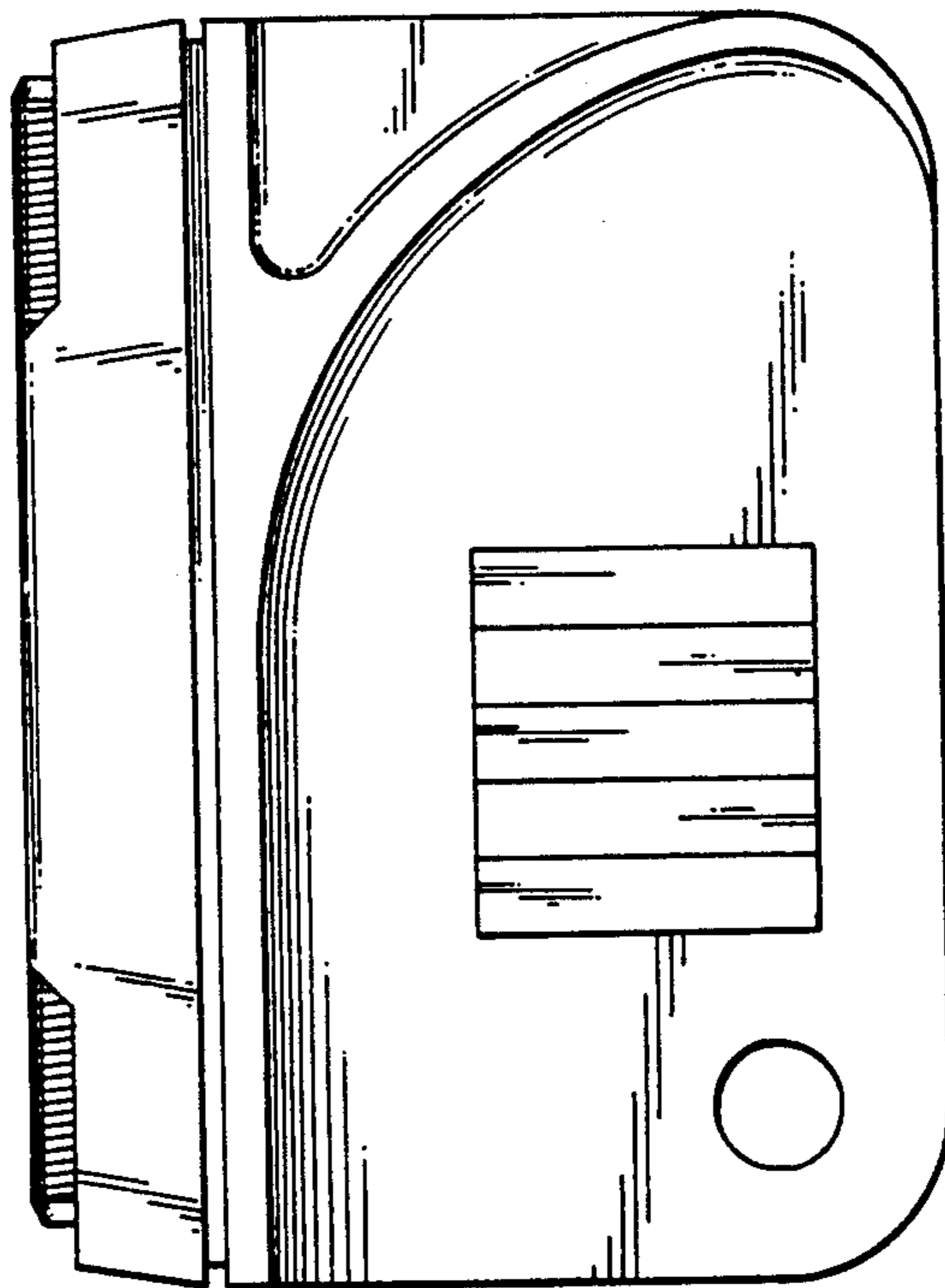


FIG. 1

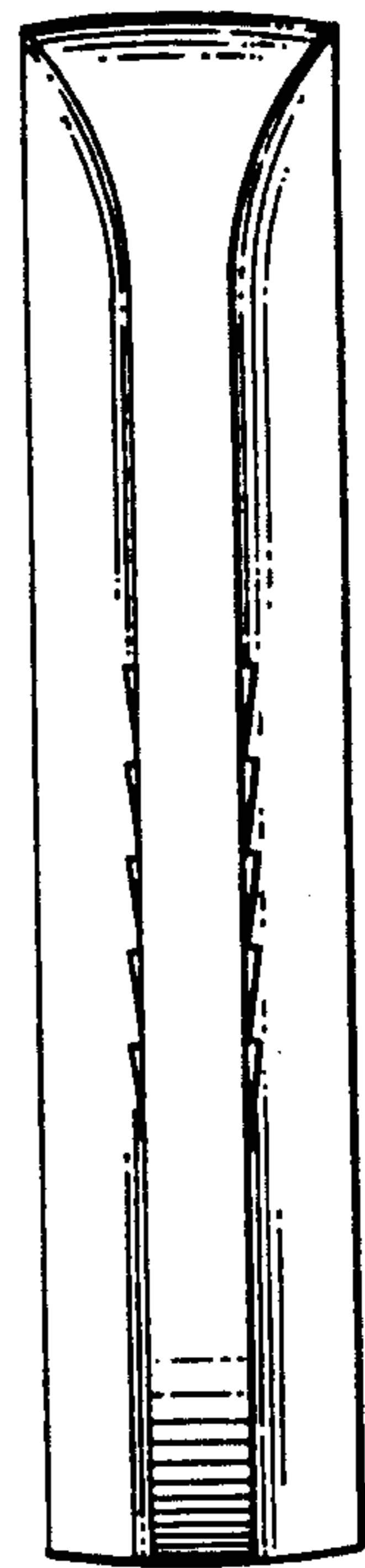


FIG. 3

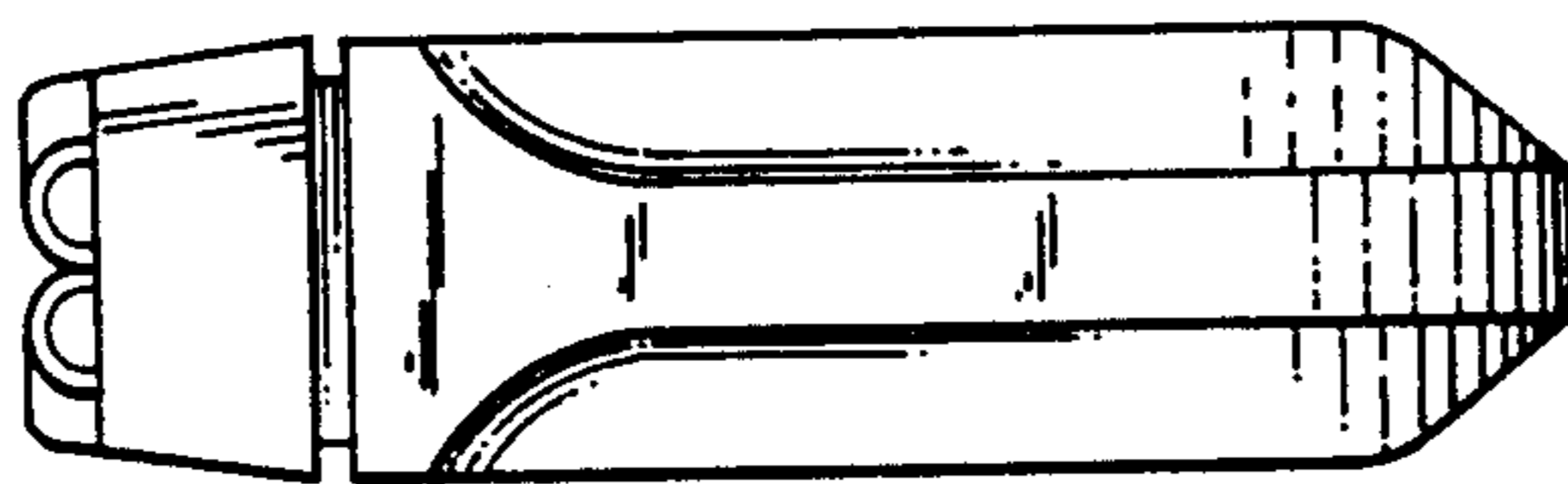


FIG. 5

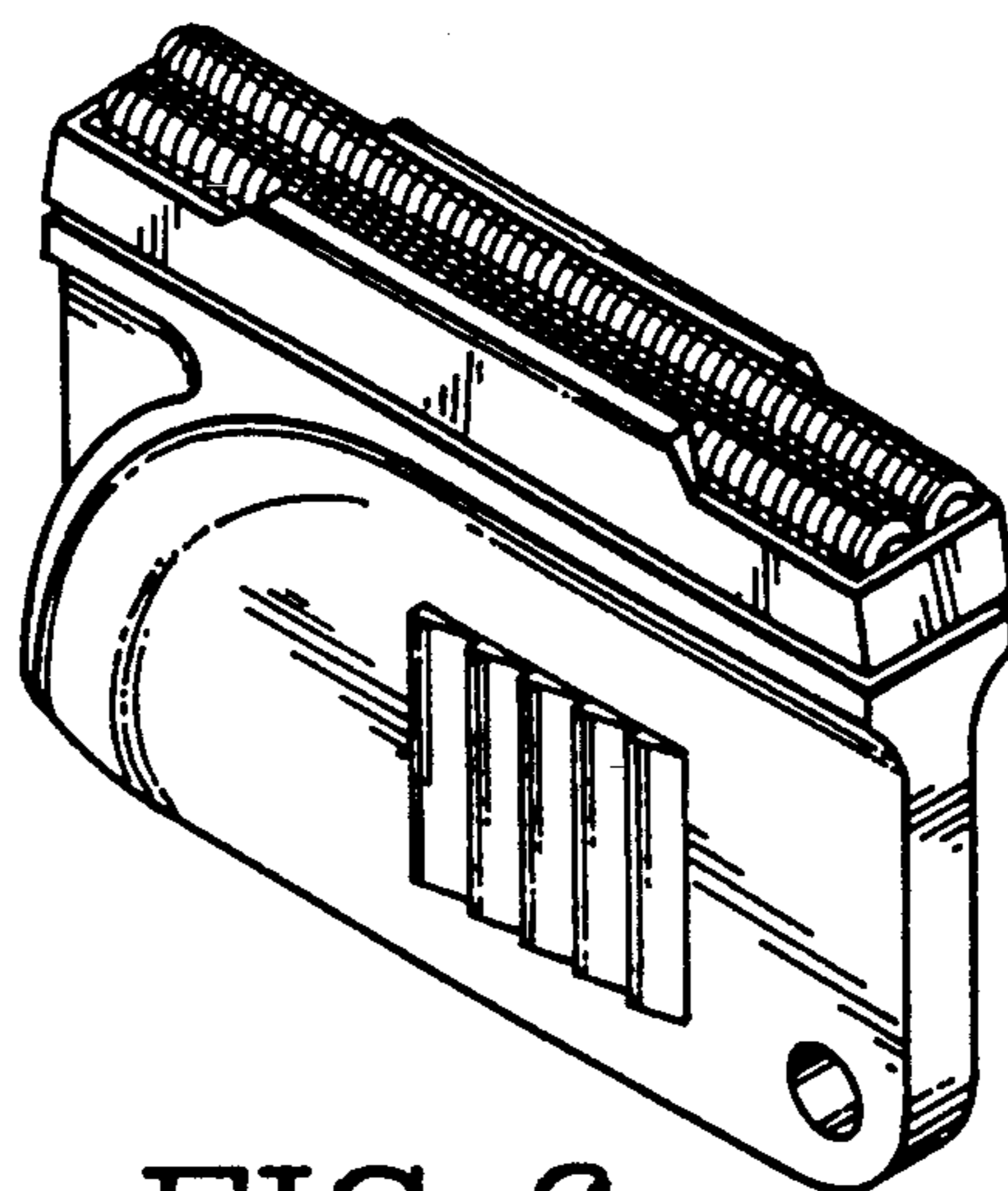


FIG. 6