

[54] PORTABLE ELECTRIC HAMMER DRILL

[75] Inventor: Taro Mochida, Kadoma, Japan

[73] Assignee: Matsushita Electric Works, Ltd., Osaka, Japan

[**] Term: 14 Years

[21] Appl. No.: 302,729

[22] Filed: Jan. 27, 1989

[52] U.S. Cl. D8/68

[58] Field of Search D8/51, 68; 81/54, 57.11, 81/57.14, 429; 408/124, 125, 127; 173/163

3,161,242	12/1964	Etzkorn et al.	173/170
3,602,318	8/1968	Slany	173/170
3,837,409	9/1974	Consoli et al.	173/74
4,930,583	6/1990	Fushiya et al.	173/163

Primary Examiner—Nelson C. Holtje
Assistant Examiner—J. H. Musgrove
Attorney, Agent, or Firm—Burns, Doane, Swecker & Mathis

[57] CLAIM

The ornamental design for a portable electric hammer drill, as shown and described.

DESCRIPTION

FIG. 1 is a right side elevational view of a portable electric hammer drill showing my new design; FIG. 2 is a left side elevational view; FIG. 3 is a top plan view; FIG. 4 is a bottom plan view; FIG. 5 is a front elevational view; and FIG. 6 is a rear elevational view thereof.

[56] References Cited

U.S. PATENT DOCUMENTS

D. 154,721	8/1949	Soubier	D8/68
D. 191,636	10/1961	Katzfey et al.	D8/68
D. 303,204	9/1989	Marks	D8/68
2,518,395	8/1950	Sopris	173/170

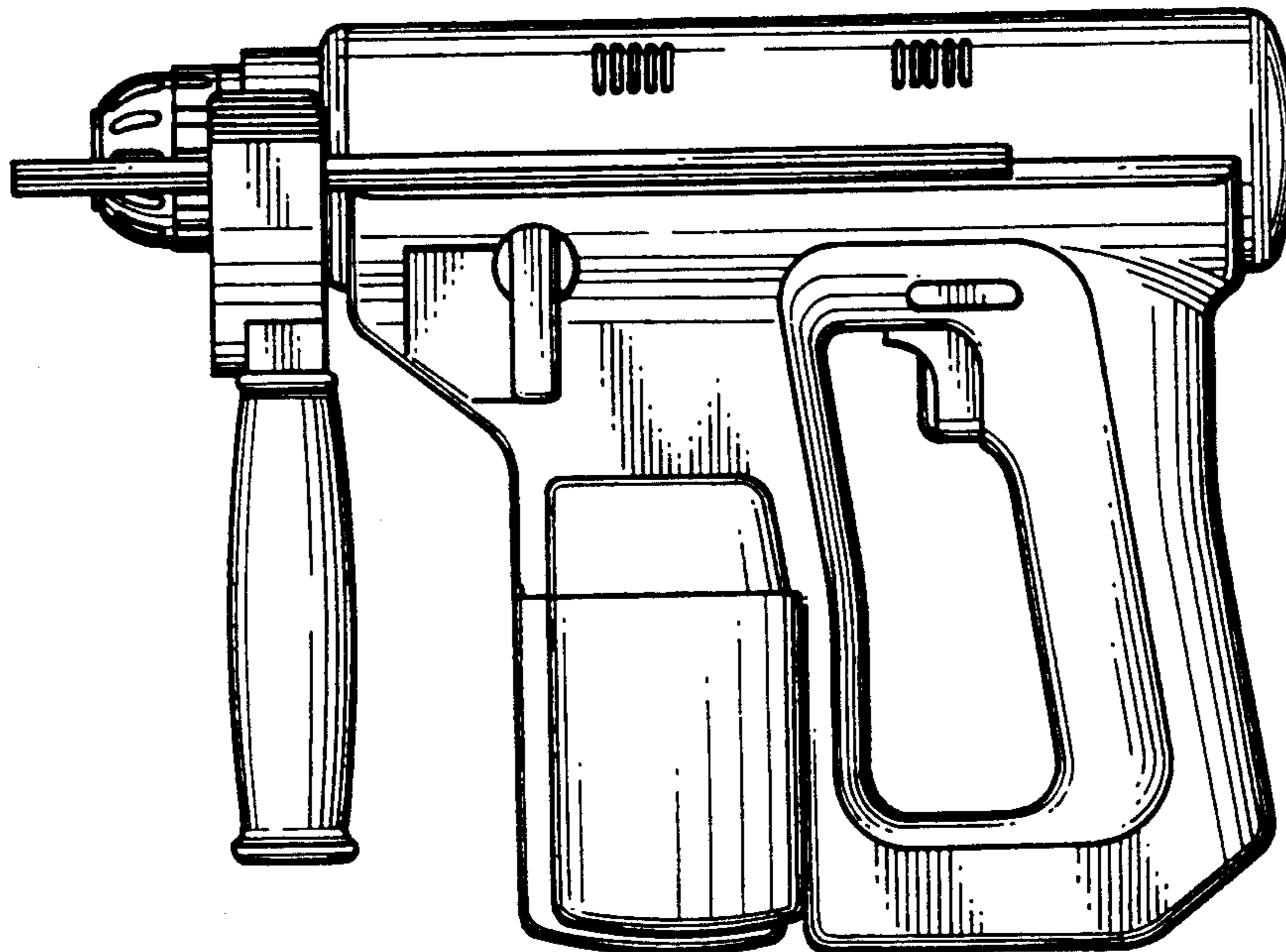


Fig. 1

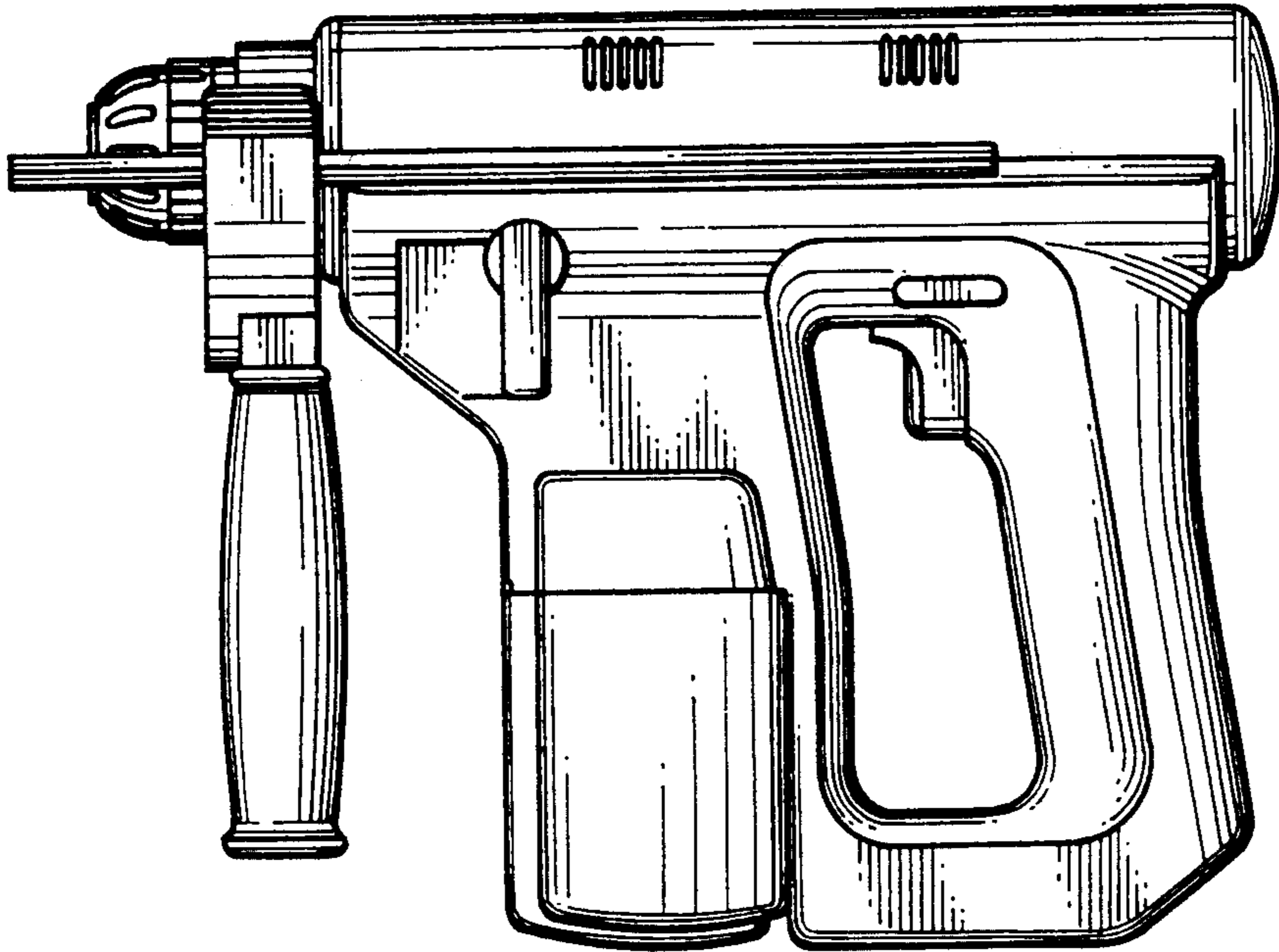


Fig. 2

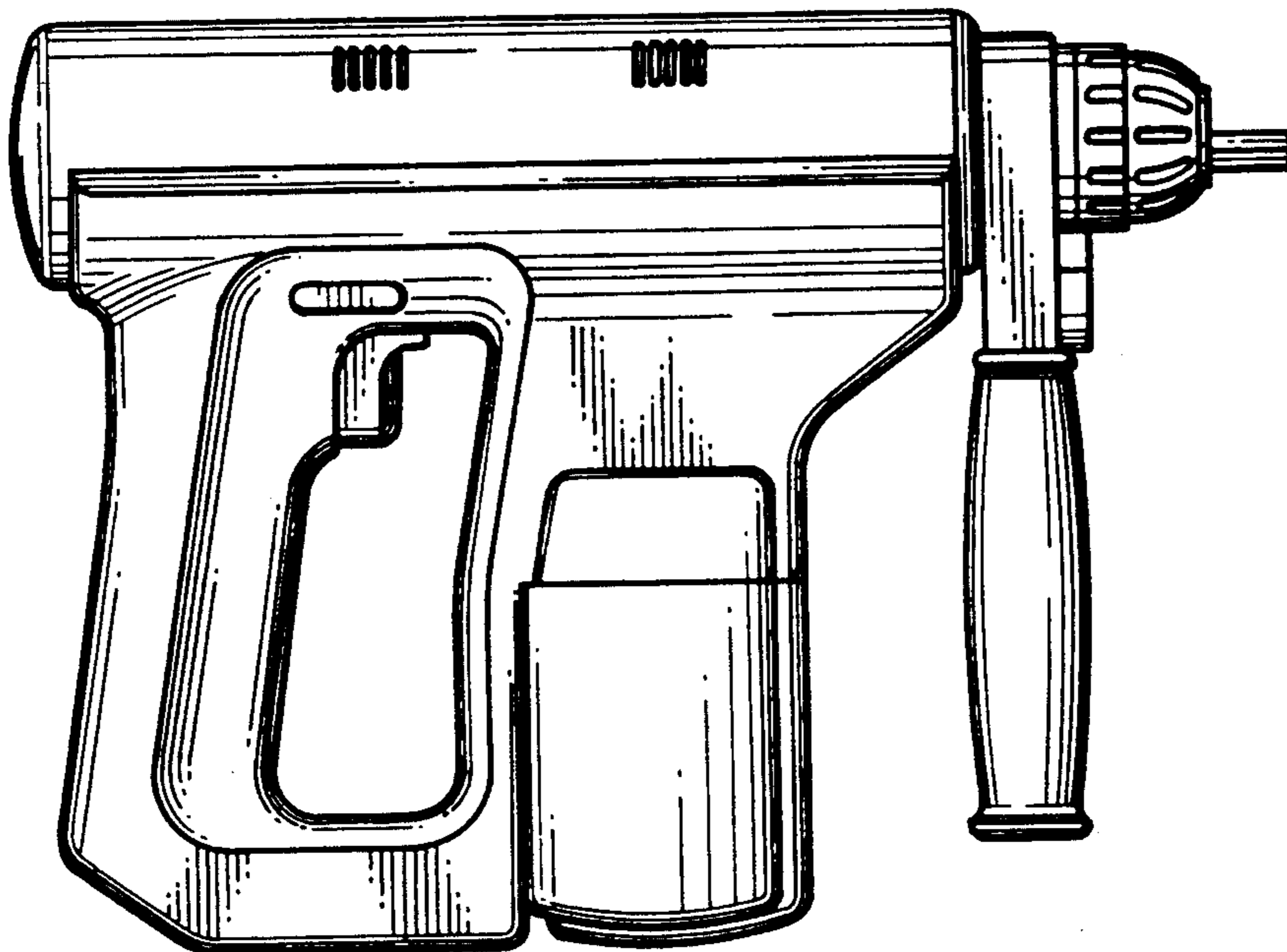


Fig. 3

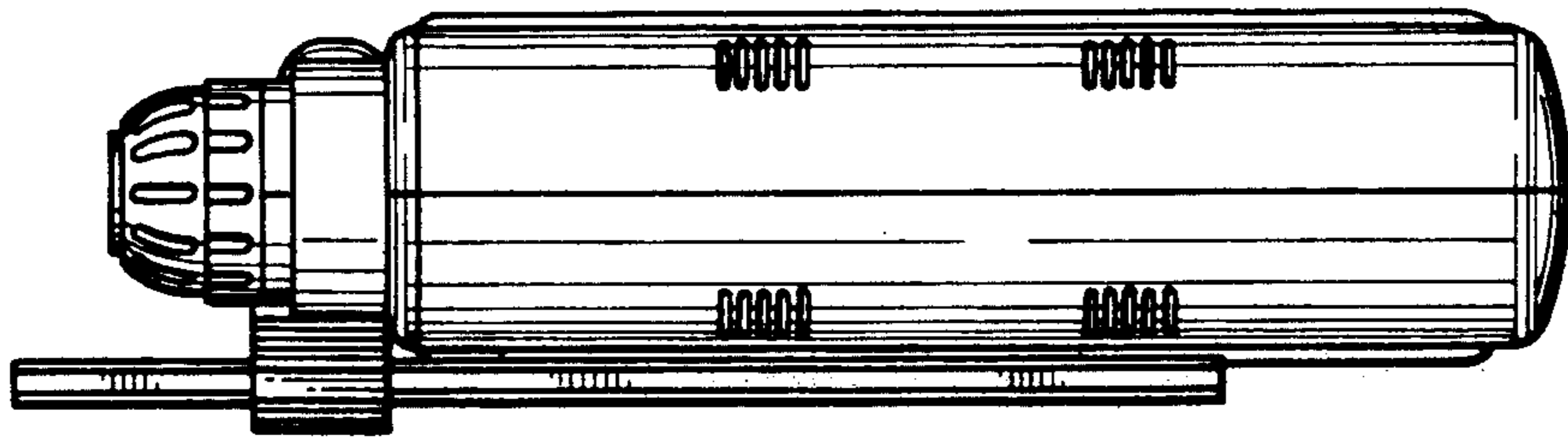


Fig. 4

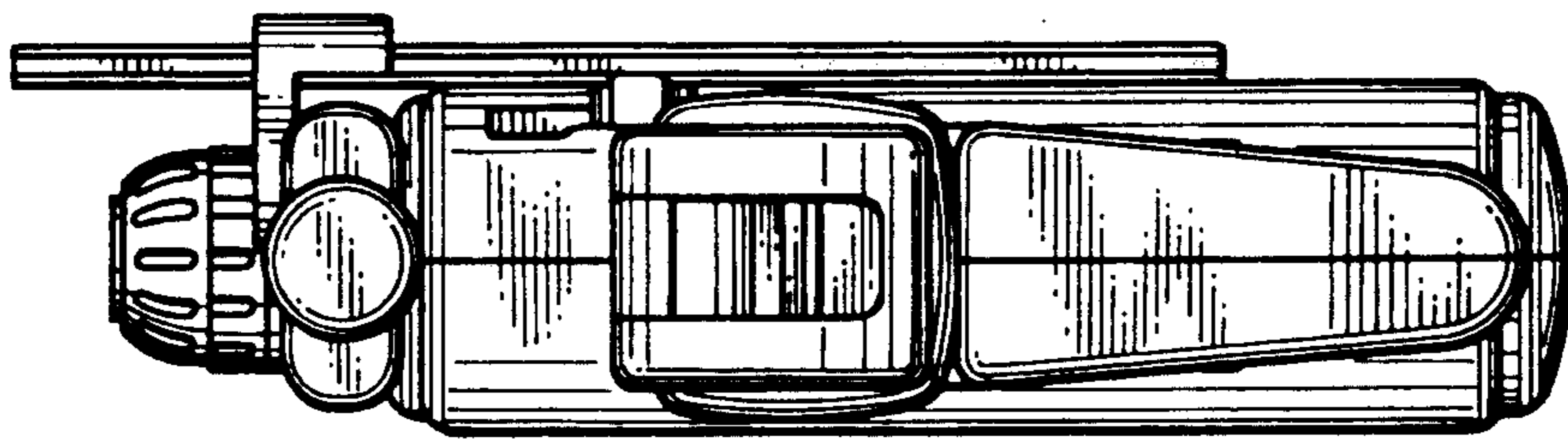


Fig. 5

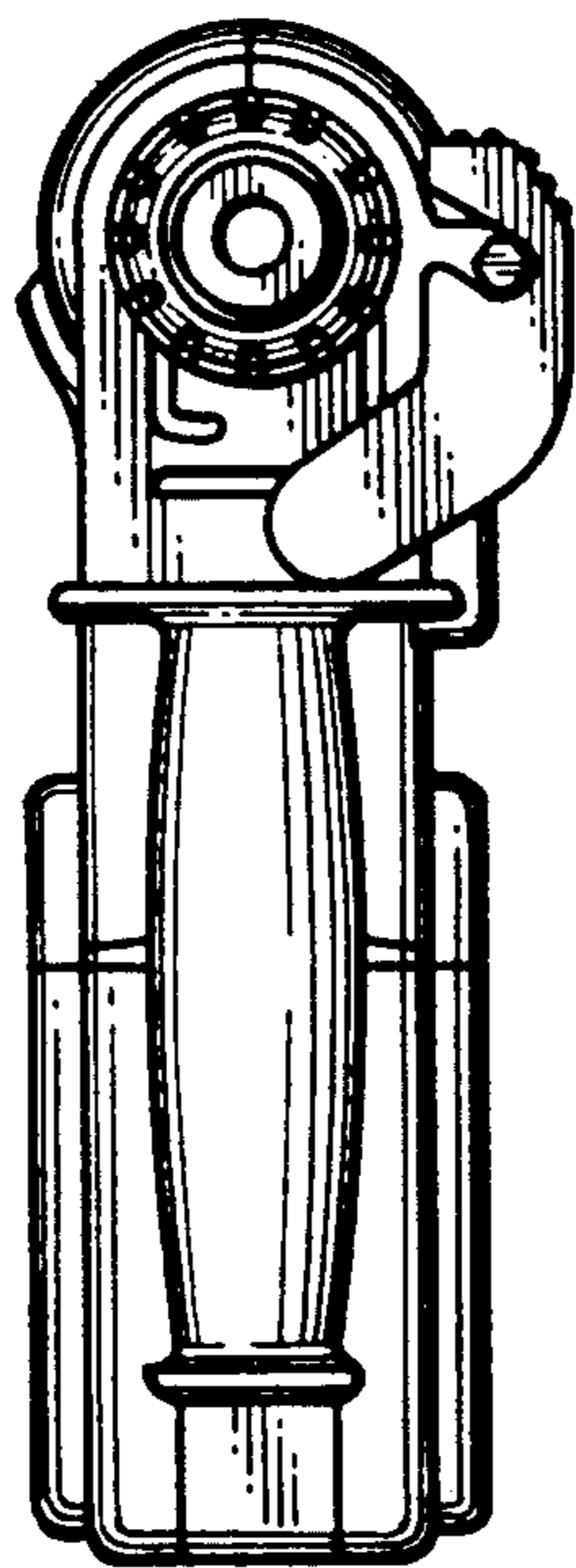


Fig. 6

