

[54] CORDLESS SCREWDRIVER

D. 315,855 4/1991 Fushiya et al. D8/68

[75] Inventors: Fusao Fushiya; Kiyotaka Ichikawa, both of Anjo, Japan

OTHER PUBLICATIONS

Chicago Pneumatic Industrial Equipment New, dated 10/1960, p. 28, driver.

[73] Assignee: Makita Electric Works, Ltd., Anjo, Japan

Primary Examiner—Nelson C. Holtje
Assistant Examiner—J. H. Musgrove
Attorney, Agent, or Firm—Dennison, Meserole, Pollack & Scheiner

[**] Term: 14 Years

[21] Appl. No.: 320,458

[22] Filed: Mar. 9, 1989

[57] CLAIM

The ornamental design for a cordless screwdriver, as shown.

[30] Foreign Application Priority Data

Sep. 28, 1988 [JP] Japan 63-37930

[52] U.S. Cl. D8/68

[58] Field of Search D8/68, 61, 62, 63;
81/54, 57.11, 57.13, 57.14, 429; 173/163;
408/124, 125, 127

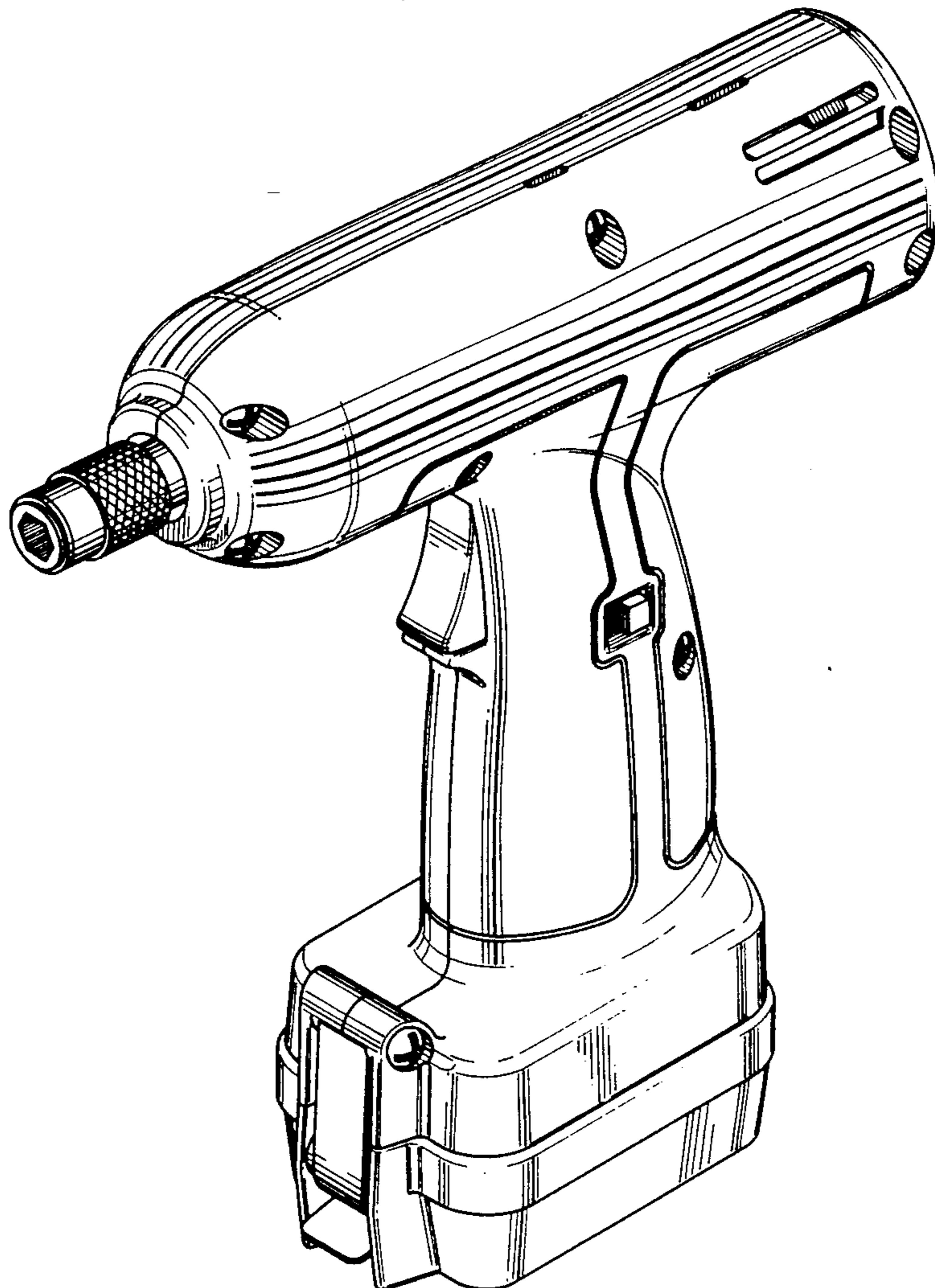
DESCRIPTION

FIG. 1 is a front top-right perspective view of a cordless screwdriver showing our new design; FIG. 2 is a right side elevational view; FIG. 3 is a left side elevational view; FIG. 4 is a front elevational view; FIG. 5 is a rear elevational view; FIG. 6 is a top plan view; and FIG. 7 is a bottom plan view.

[56] References Cited

U.S. PATENT DOCUMENTS

- D. 295,141 4/1988 Hoshino et al. D8/68
- D. 295,714 5/1988 Sasaki et al. D8/68



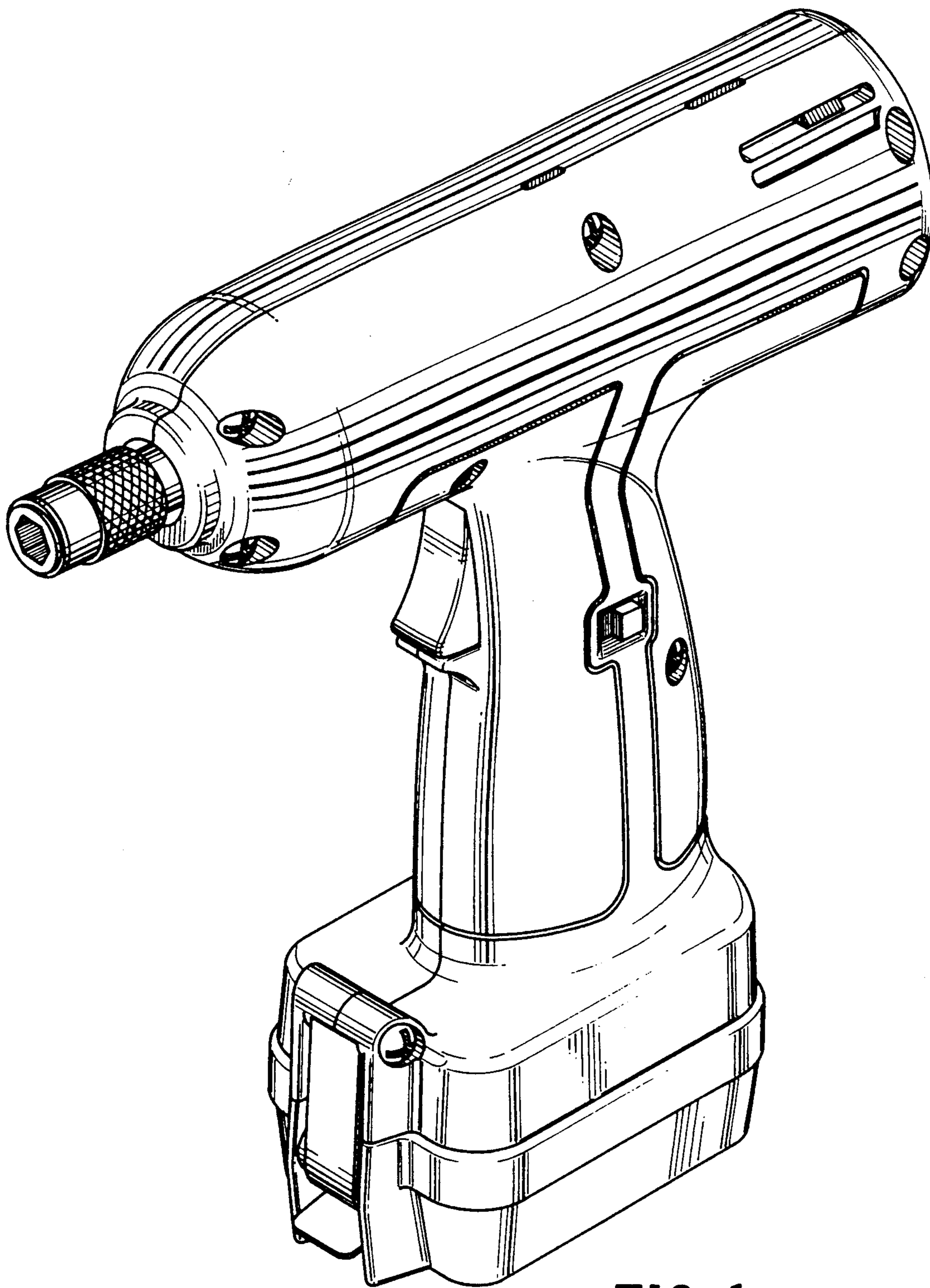


FIG. 1

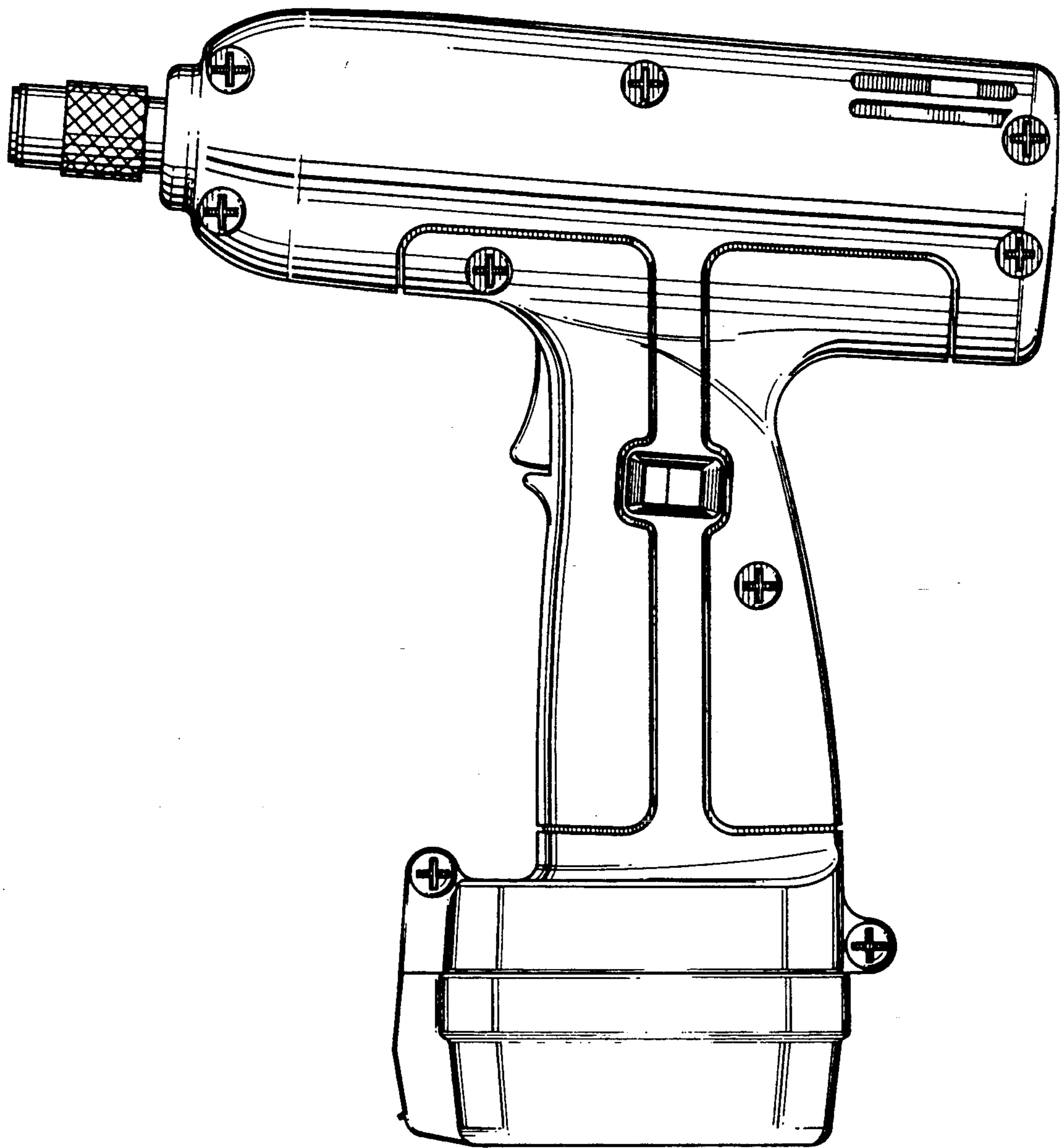


FIG. 2

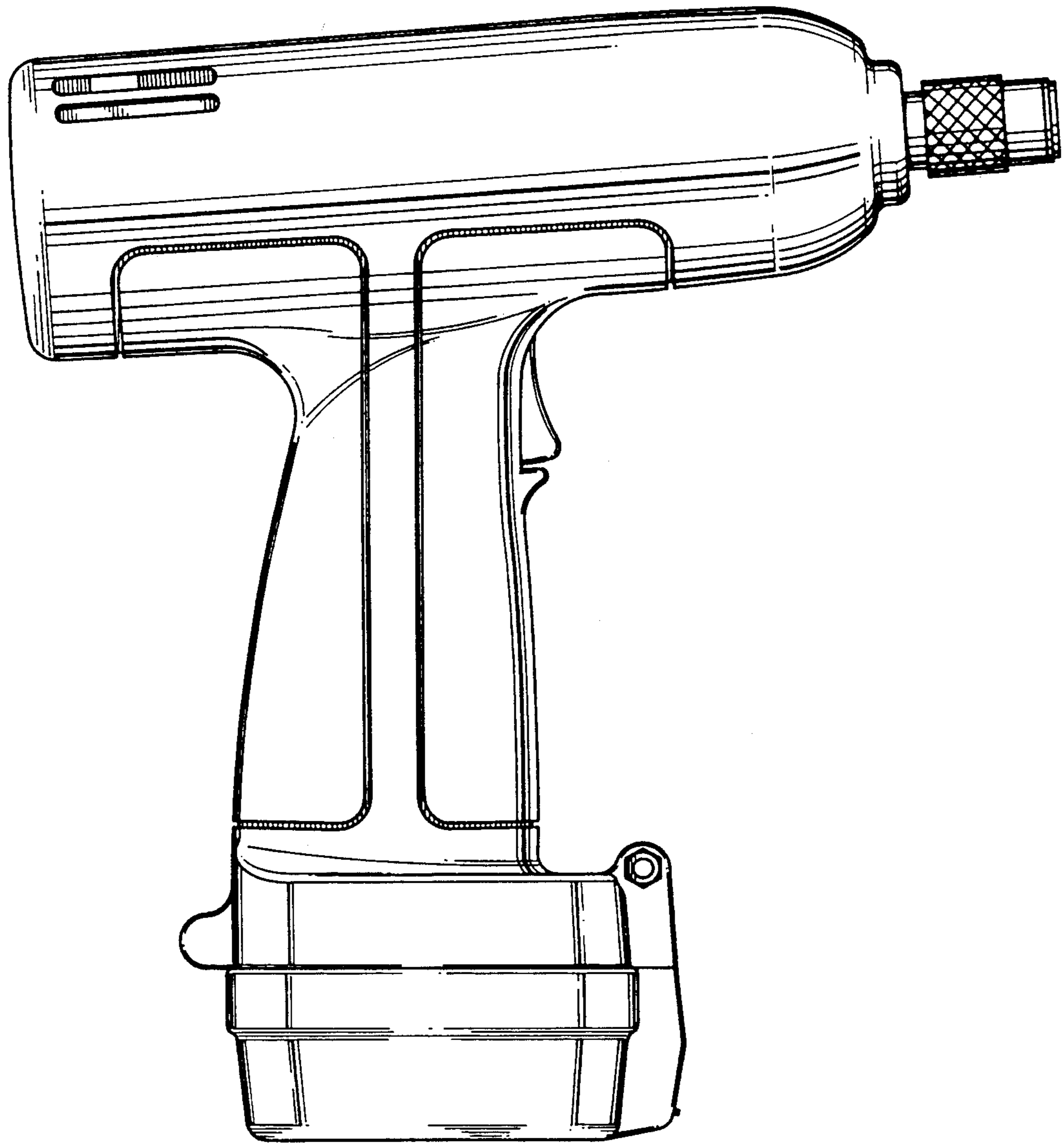


FIG. 3

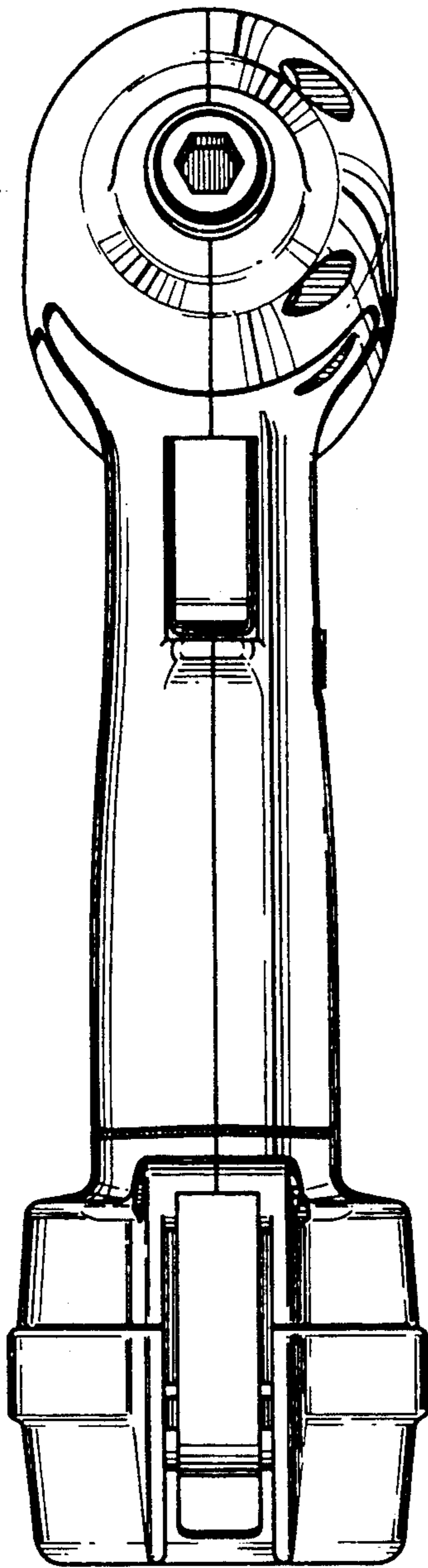


FIG. 4

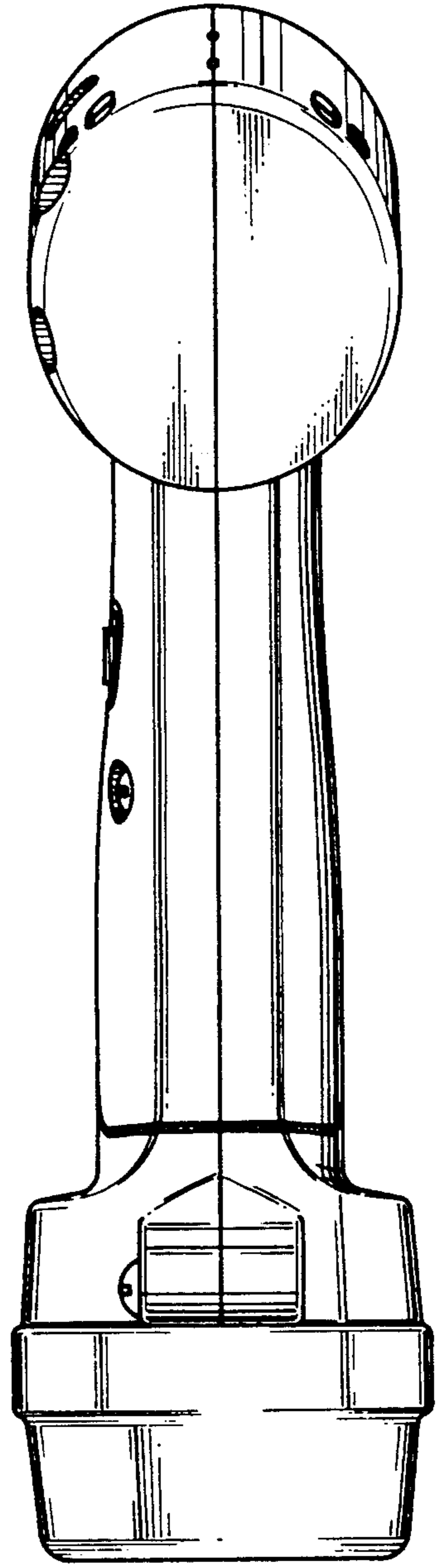


FIG. 5

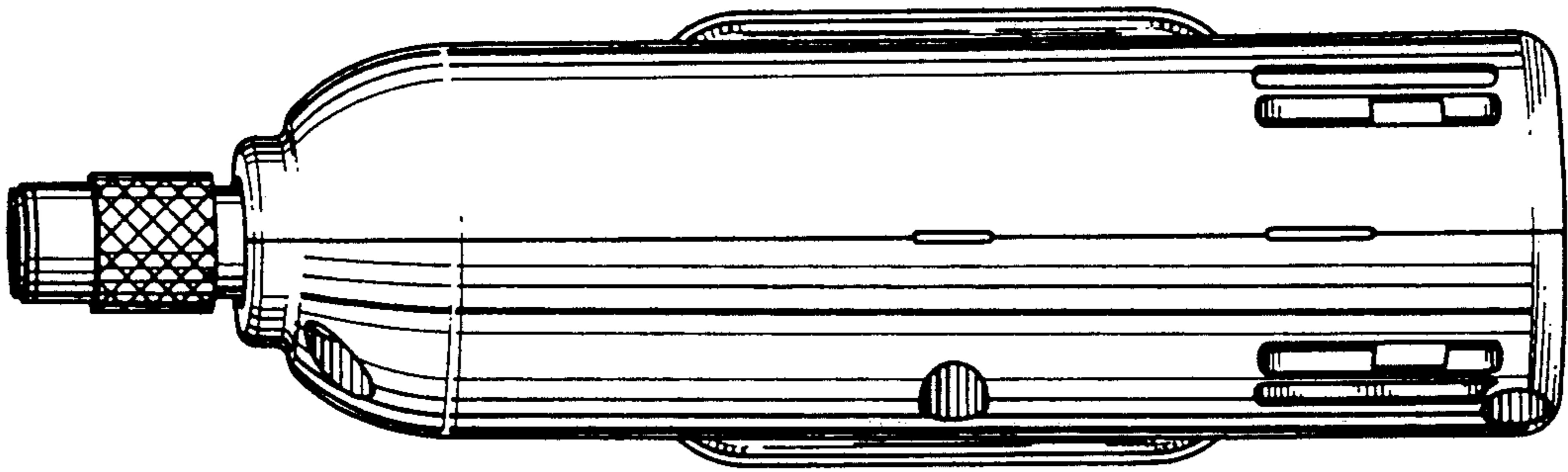


FIG. 6

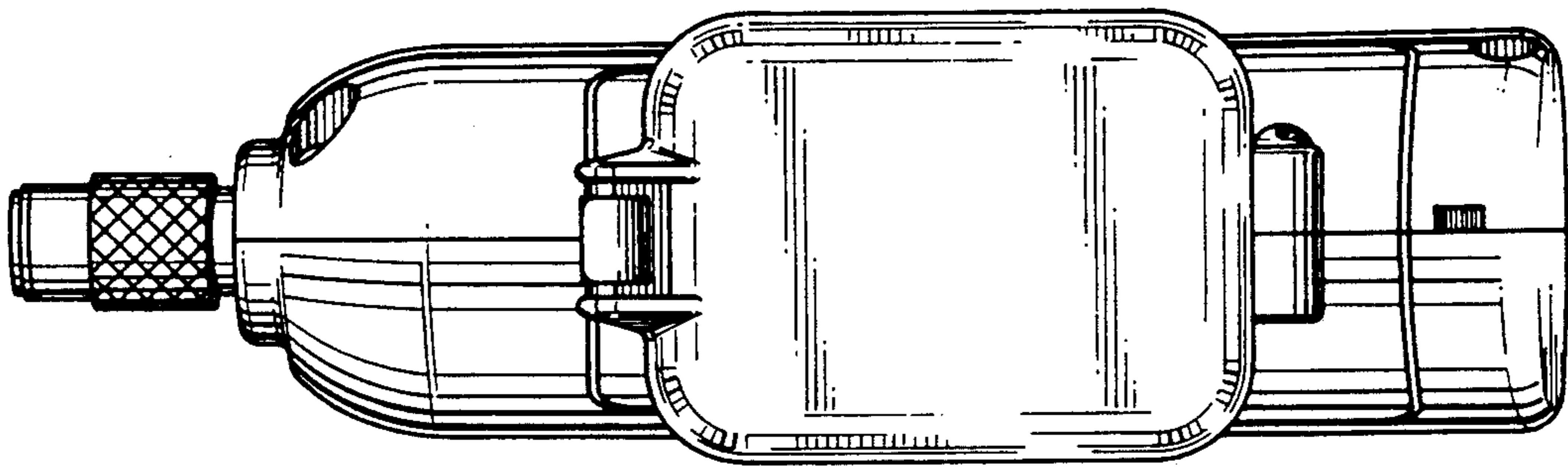


FIG. 7