

[54] ELECTRICALLY HEATED FROZEN FOOD SERVER

3,476,059 11/1969 Anderson .
4,386,900 6/1983 Sultan .
4,553,921 11/1988 Lamphere .

[76] Inventor: Milton W. Allen, P.O. Box 1243,
Lyman, Wyo. 82937

FOREIGN PATENT DOCUMENTS

[**] Term: 14 Years

053988 6/1982 France .

[21] Appl. No.: 390,352

Primary Examiner—Terry A. Pfeffer
Attorney, Agent, or Firm—Terry M. Gernstein

[22] Filed: Aug. 7, 1989

[52] U.S. Cl. D7/681

[58] Field of Search D7/681, 688, 691, 692;
30/224-228; 294/55; 219/227, 242; 425/DIG.
13, 276, 279

[57] CLAIM

The ornamental design for an electrically heated frozen food server, as shown.

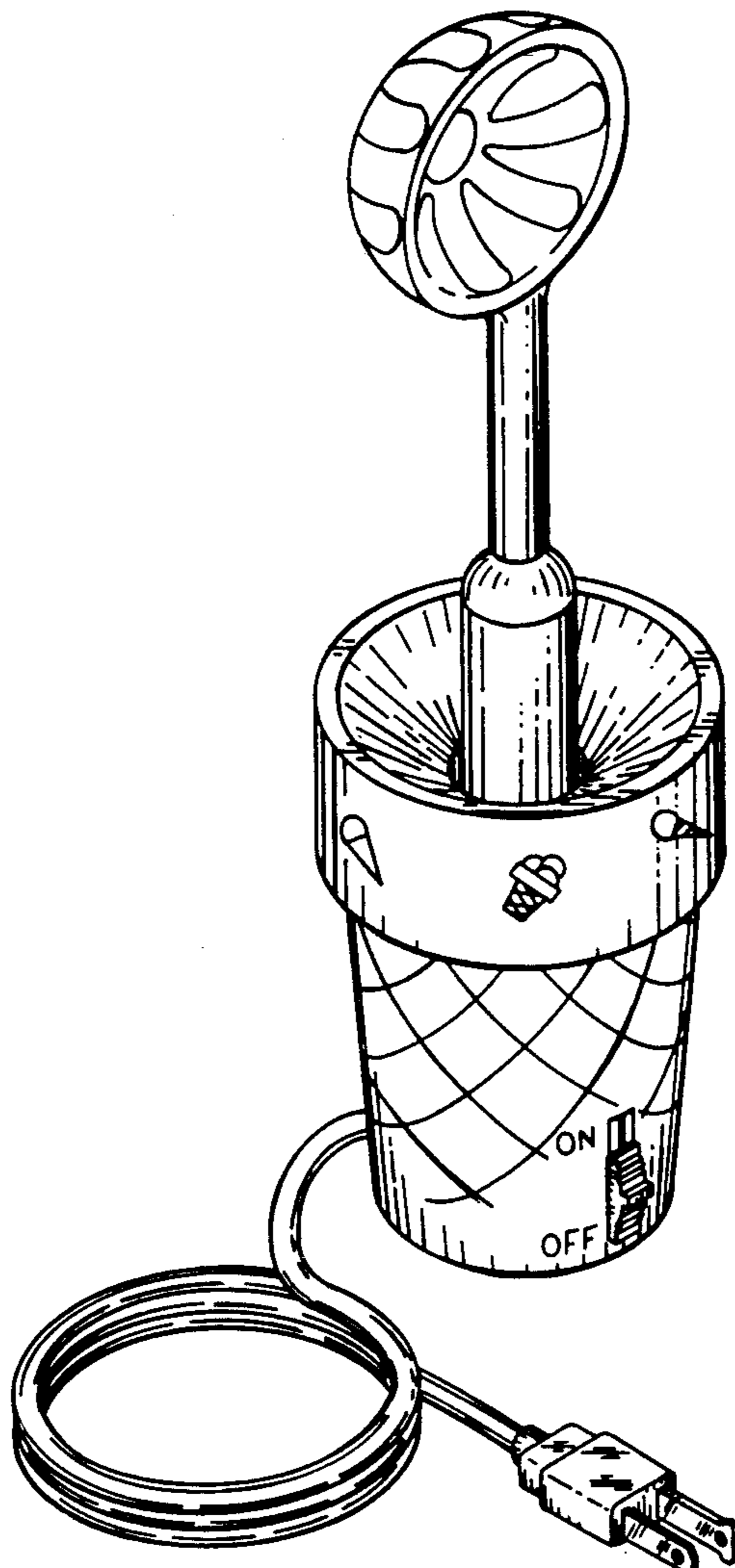
DESCRIPTION

[56] References Cited

U.S. PATENT DOCUMENTS

D. 305,852	2/1990	Clement et al.	D7/681
1,971,577	8/1934	Parker	425/281
1,974,051	9/1934	Kelly .	
2,256,770	9/1941	Armstrong .	
3,299,838	1/1967	Thiete .	
3,304,890	2/1967	Sloan .	

FIG. 1 is a perspective view of an electrically heated frozen food server showing my new design; FIG. 2 is a front elevational view thereof; FIG. 3 is a bottom plan view thereof; FIG. 4 is a right side elevational view thereof; FIG. 5 is a left side elevational view thereof; FIG. 6 is a top plan view thereof; and FIG. 7 is a rear elevational view thereof.



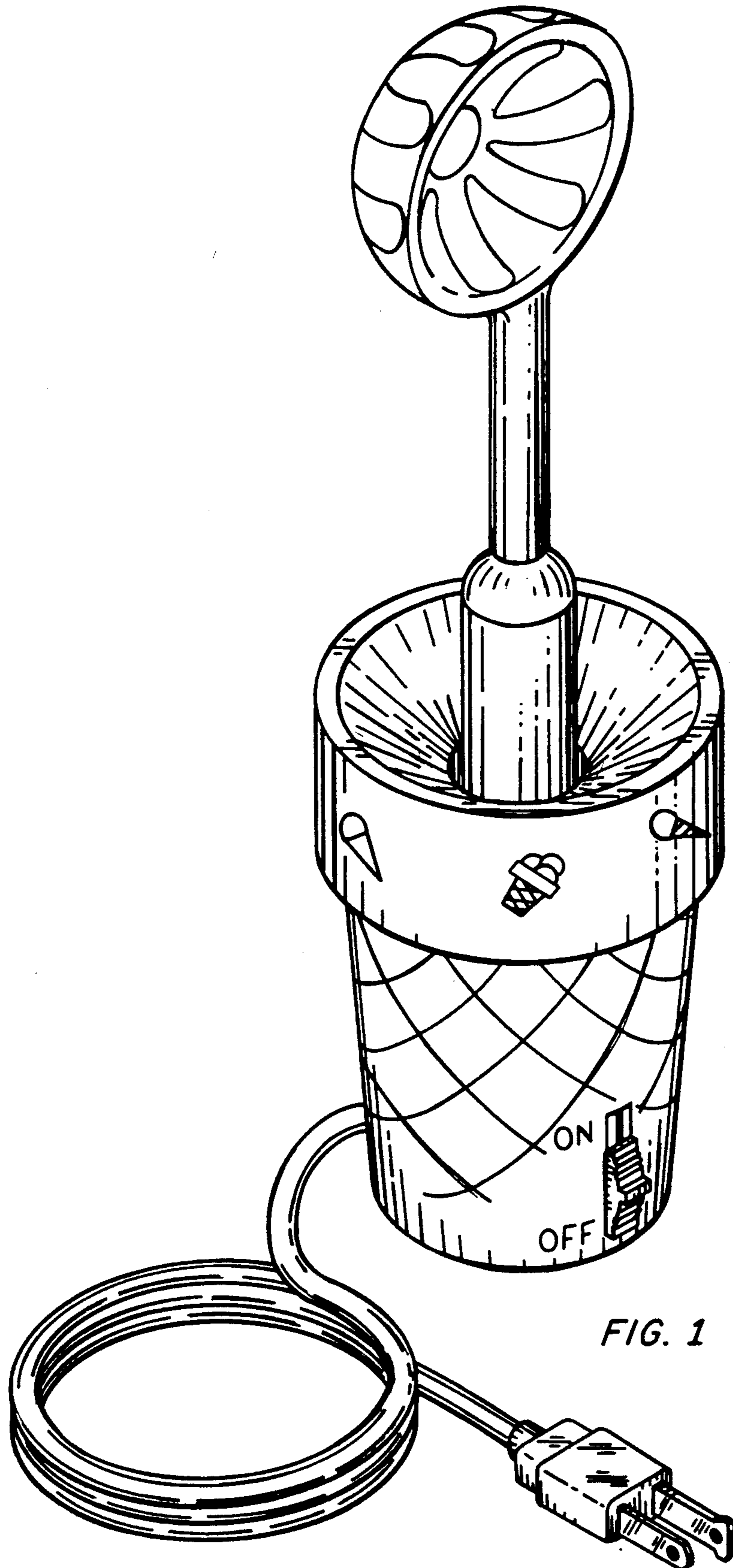


FIG. 1

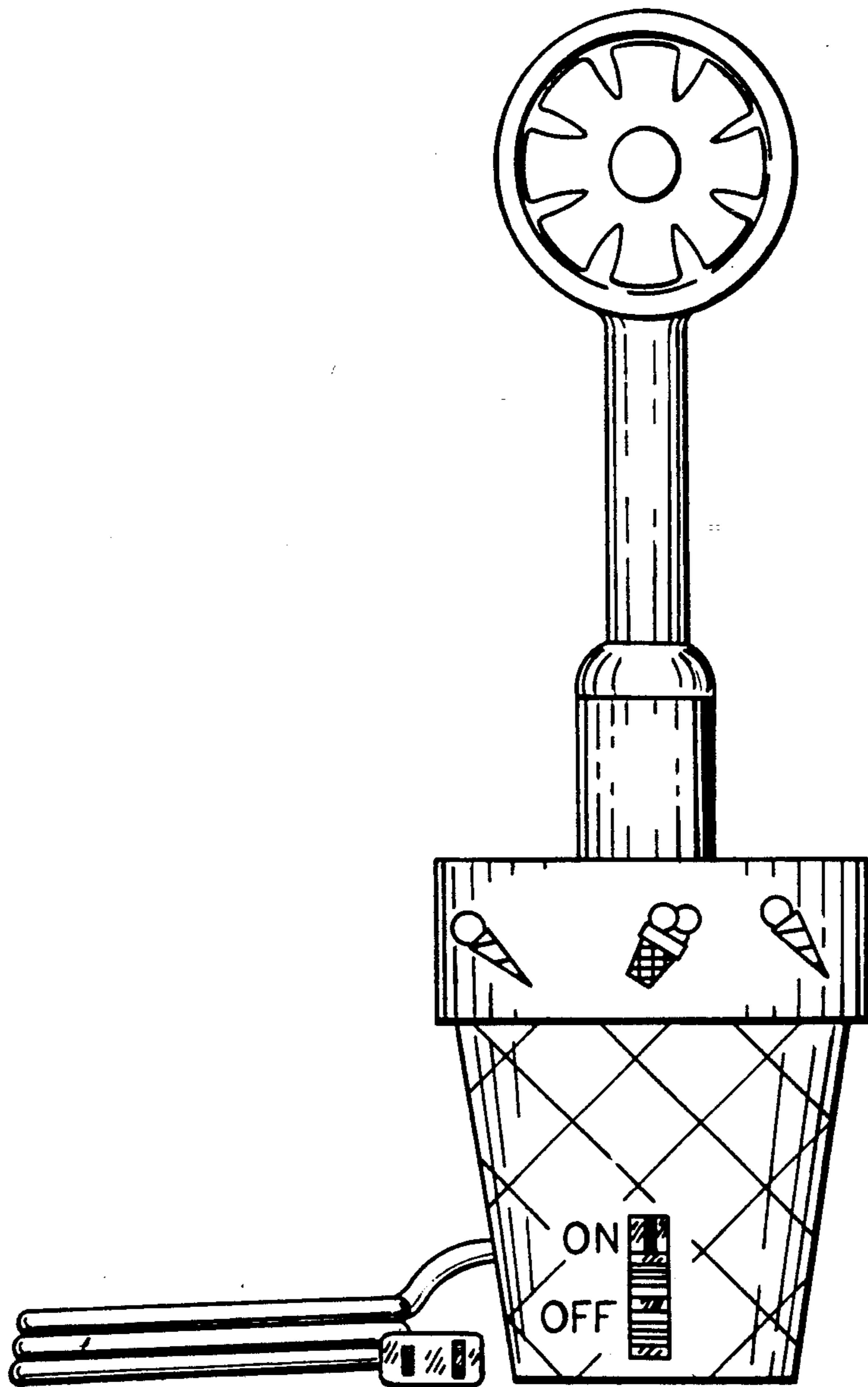


FIG. 2

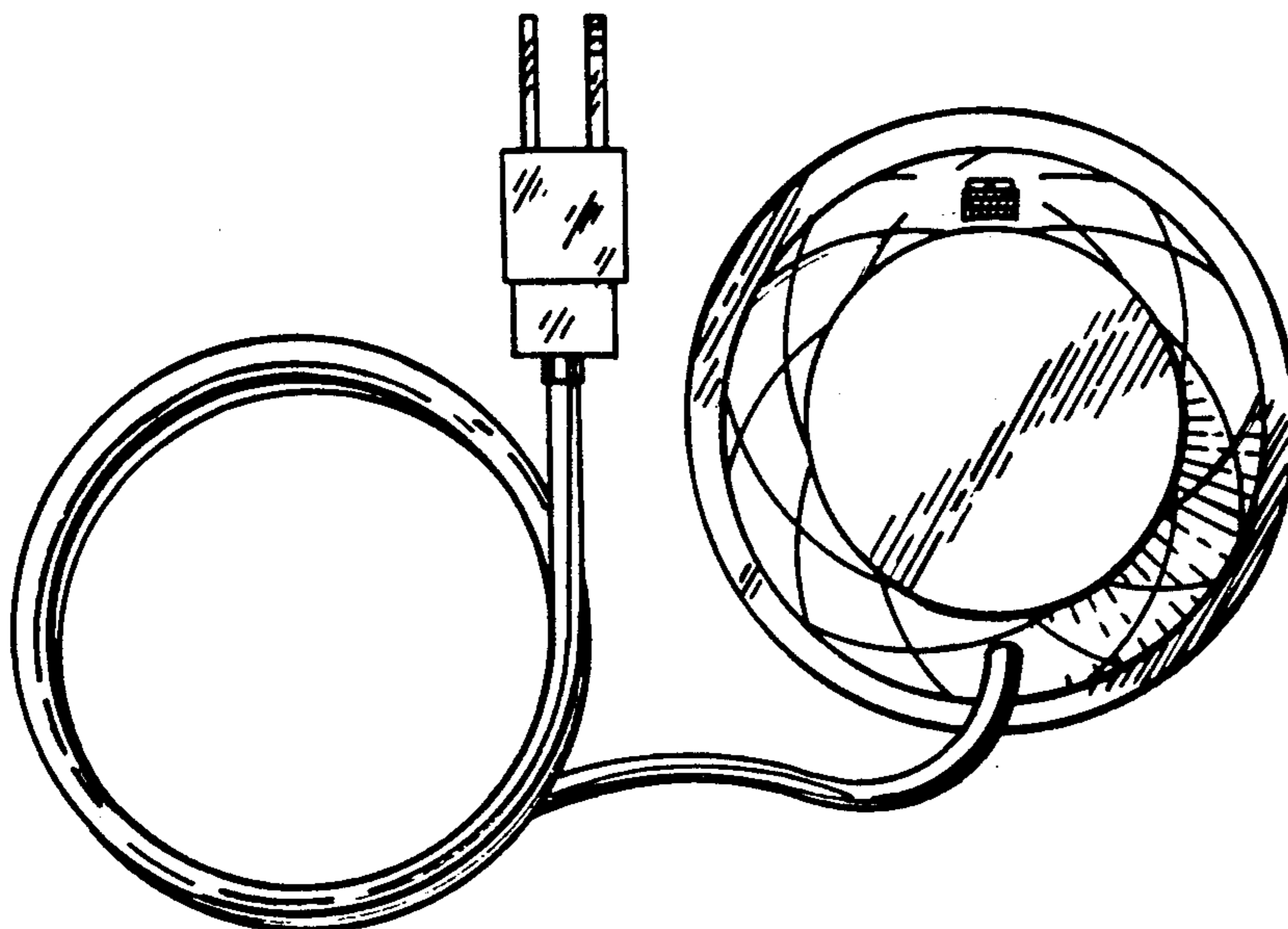


FIG. 3

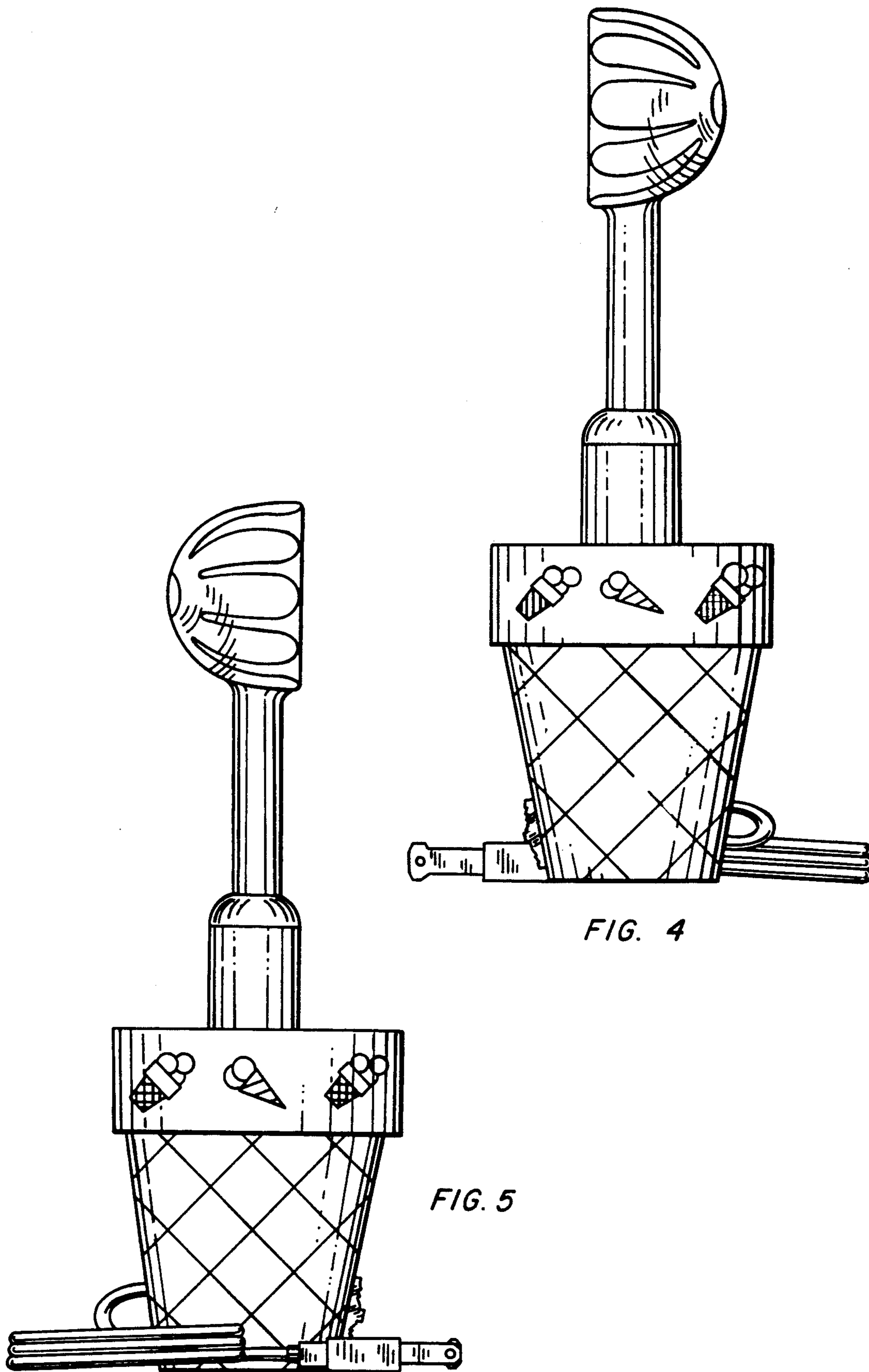


FIG. 4

FIG. 5

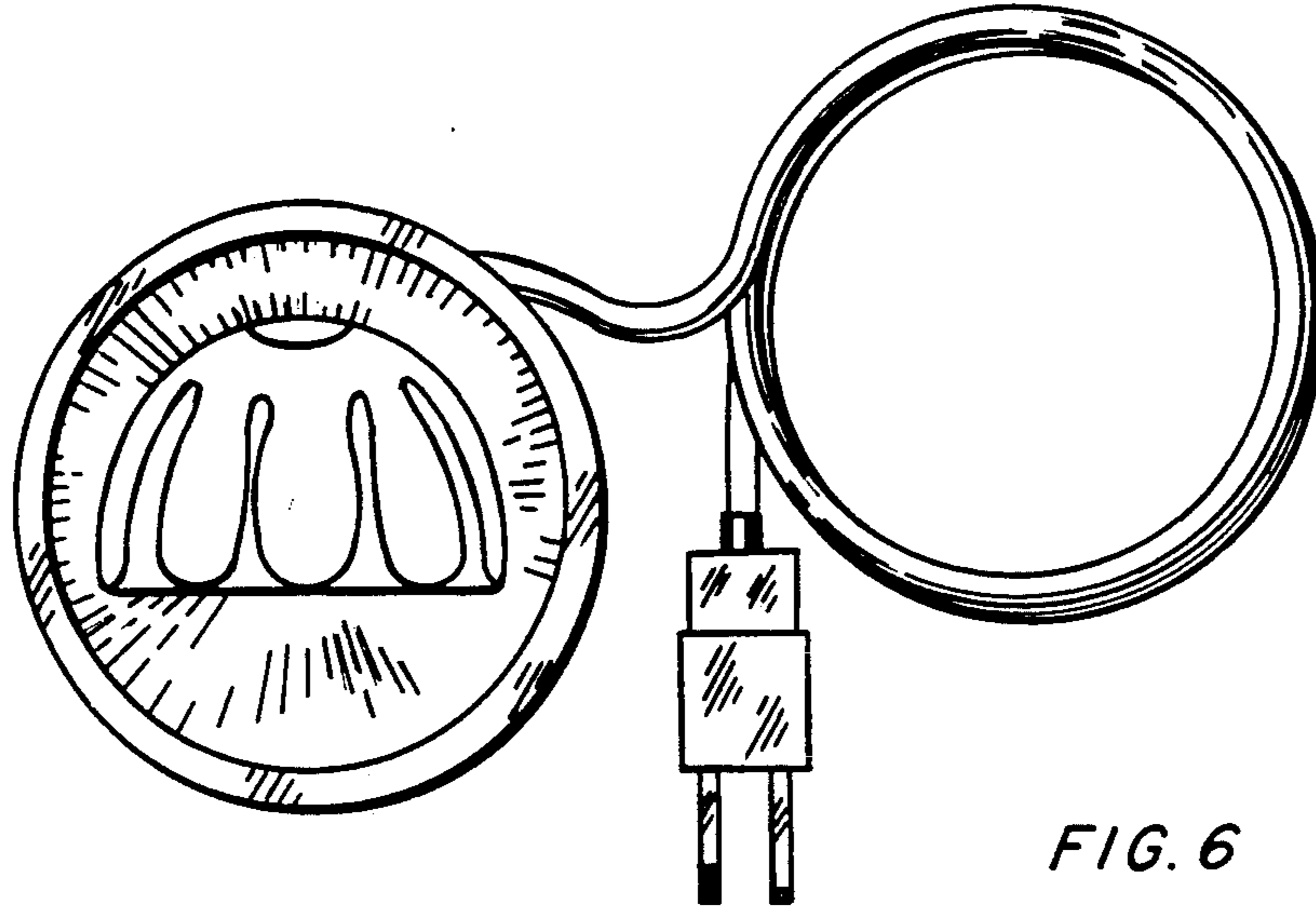


FIG. 6

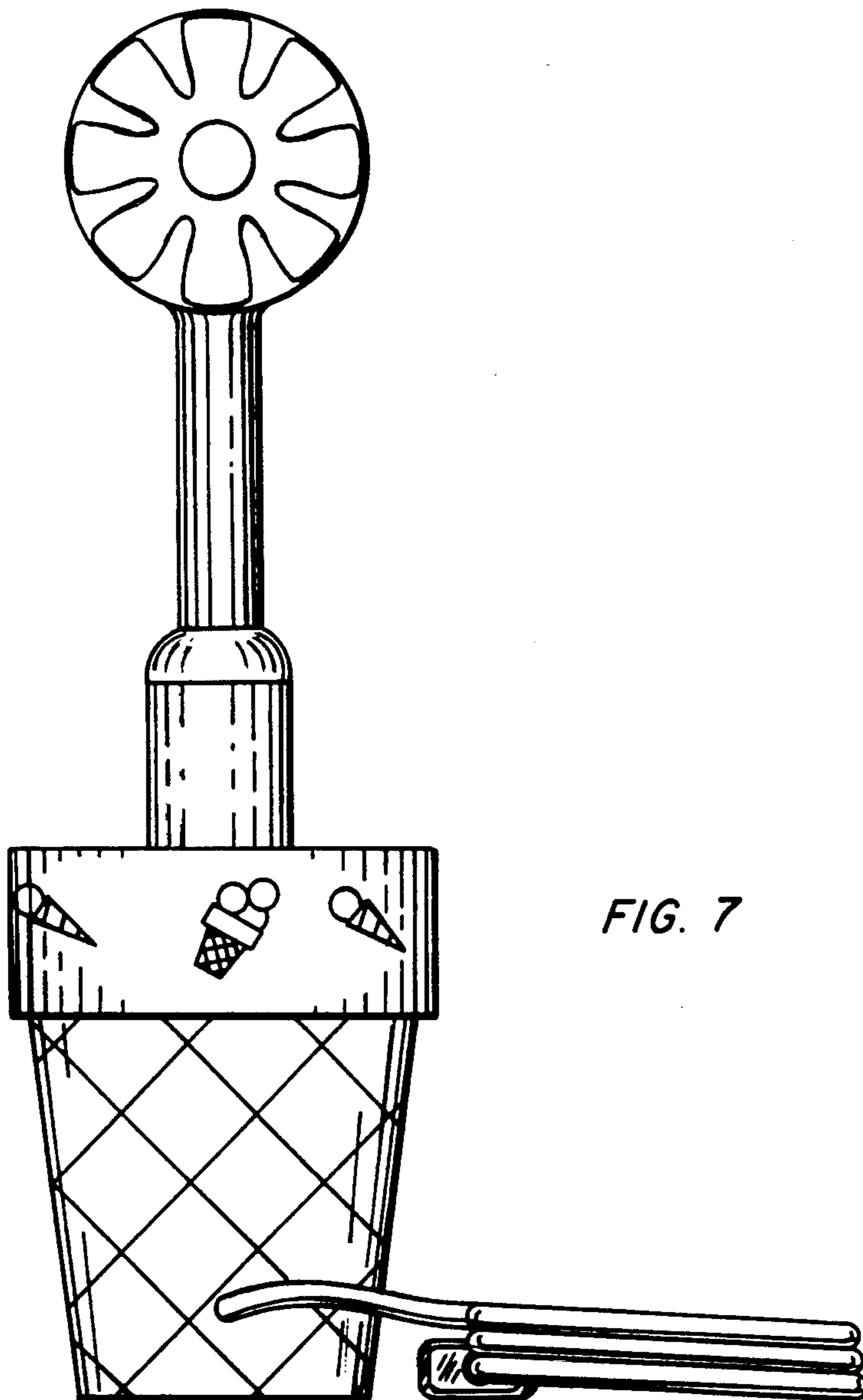


FIG. 7