

[54] MOLD FOR MAKING A BOAT-SHAPED ICE BLOCK

[76] Inventor: Takeo Suzuki, 17-4 Nishinaka, Shimoda-shi, Shizuoka-ken, Japan

[\*\*] Term: 14 Years

[21] Appl. No.: 314,829

[22] Filed: Feb. 23, 1989

[30] Foreign Application Priority Data

Aug. 29, 1988 [JP] Japan ..... 63-34079  
 [52] U.S. Cl. .... D7/675; 249/144  
 [58] Field of Search ..... D7/672, 675, 539, 544, D7/551; D9/309; D12/300, 310, 302; 249/69, 117, 122, 147, 144; 425/DIG. 57

[56] References Cited

U.S. PATENT DOCUMENTS

D. 178,263 7/1956 Picciano ..... D9/309  
 D. 229,238 11/1973 Milne ..... D12/300  
 D. 249,218 9/1978 Mathison et al. .... D7/551  
 2,312,046 2/1943 Neilson ..... D7/672 X

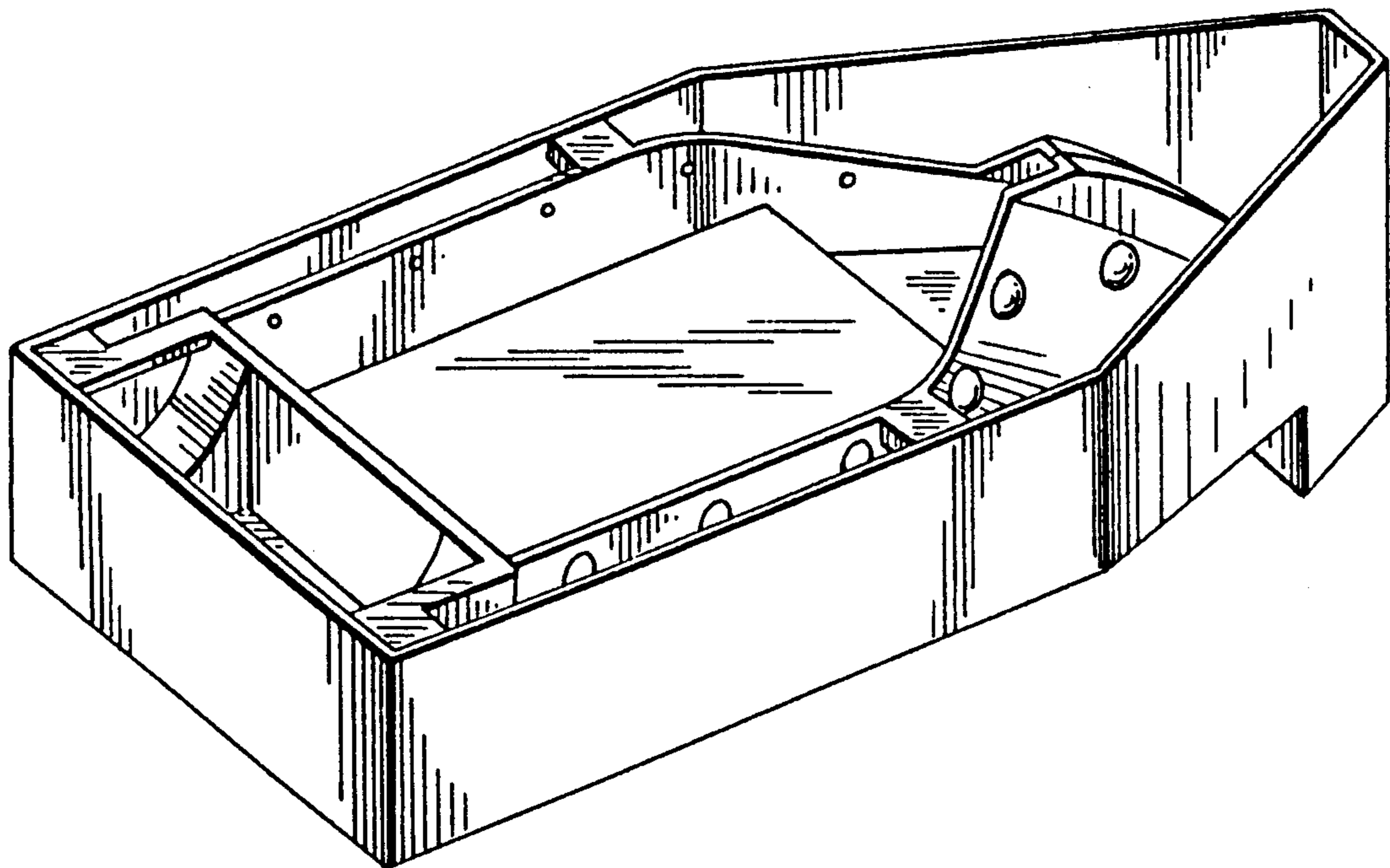
Primary Examiner—Terry A. Pfeffer  
 Attorney, Agent, or Firm—Leydig, Voit & Mayer

[57] CLAIM

The ornamental design for a mold for making a boat-shaped ice block, as shown and described.

DESCRIPTION

FIG. 1 is a perspective view of a mold for making a boat-shaped ice block showing my new design; FIG. 2 is a front elevational view thereof; FIG. 3 is a rear elevational view thereof; FIG. 4 is a left side elevational view thereof; FIG. 5 is a bottom plan view thereof; FIG. 6 is a top plan view thereof; FIG. 7 is a cross-sectional view taken along line 7—7 of FIG. 6; FIG. 8 is a front elevational view of the outer mold shown separately for clarity of illustration; FIG. 9 is a rear elevational view of FIG. 8; FIG. 10 is a top plan view of FIG. 8; FIG. 11 is a bottom plan view of FIG. 8; FIG. 12 is a left side elevation view of FIG. 8, the opposite side being a mirror image; FIG. 13 is a cross-sectional view taken along line 13—13 of FIG. 12; FIG. 14 is a front elevational view of the inner mold shown separately for clarity of illustration; FIG. 15 is a rear elevational view of FIG. 14; FIG. 16 is a top plan view of FIG. 14; FIG. 17 is a bottom plan view of FIG. 14; FIG. 18 is a left side elevational view of FIG. 14, the opposite side being a mirror image; FIG. 19 is a cross-sectional view taken along line 19—19 of FIG. 16; FIG. 20 is a top plan view of the frame mold shown separately for clarity of illustration; and FIG. 21 is a cross-sectional view taken along line 21—21 of FIG. 20. The front view, rear view, side view and bottom plan view of the frame mold of FIG. 20 are shown in FIGS. 2, 3, 4 and 5, respectively.



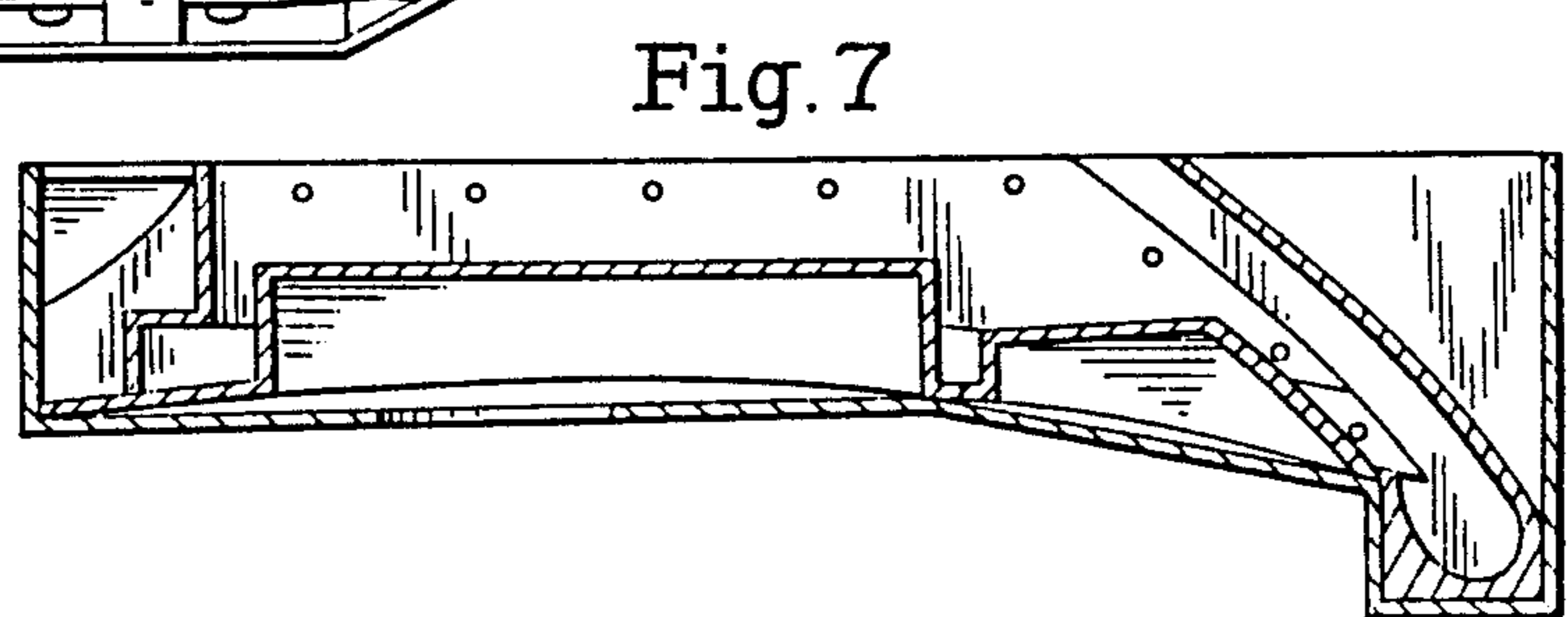
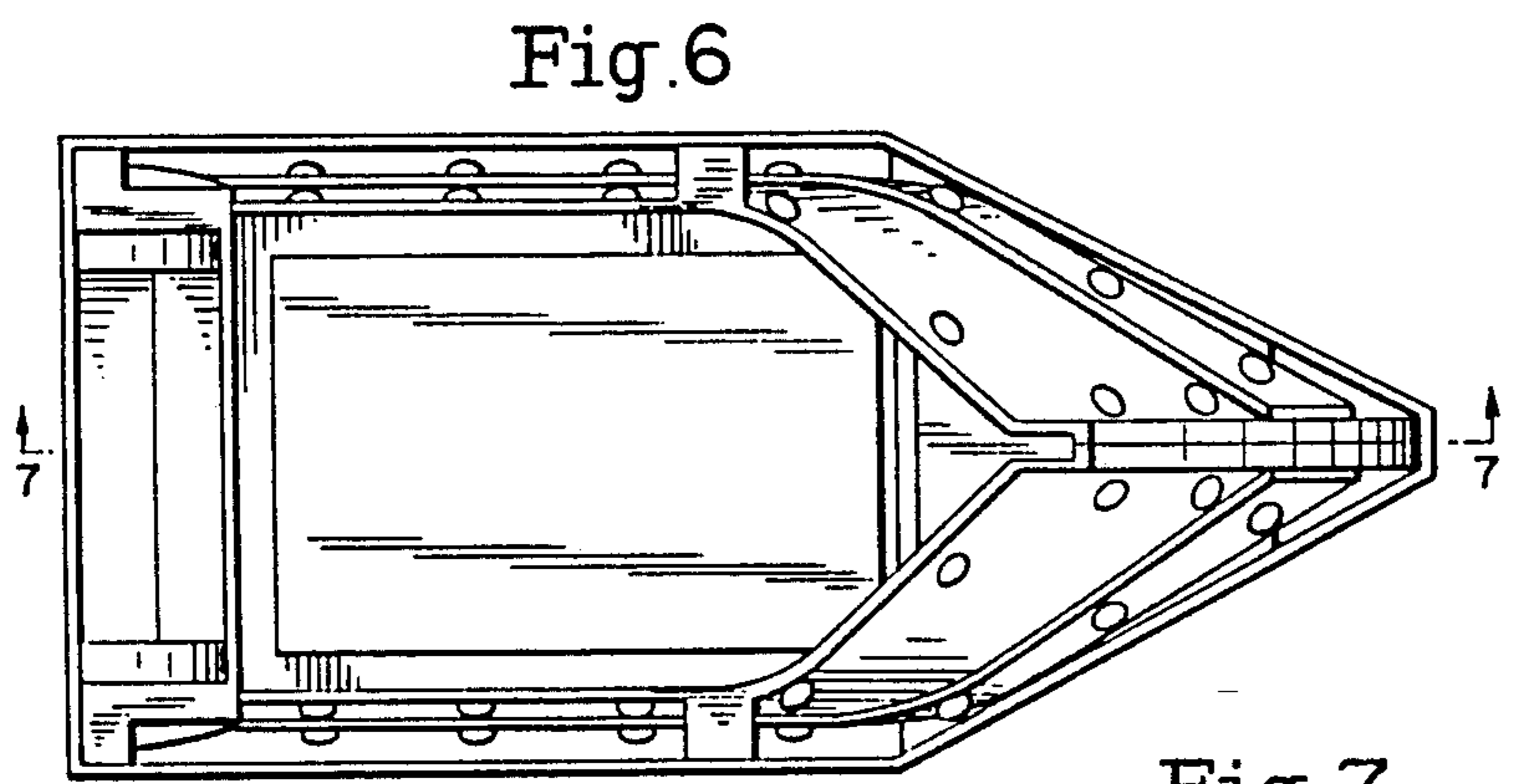
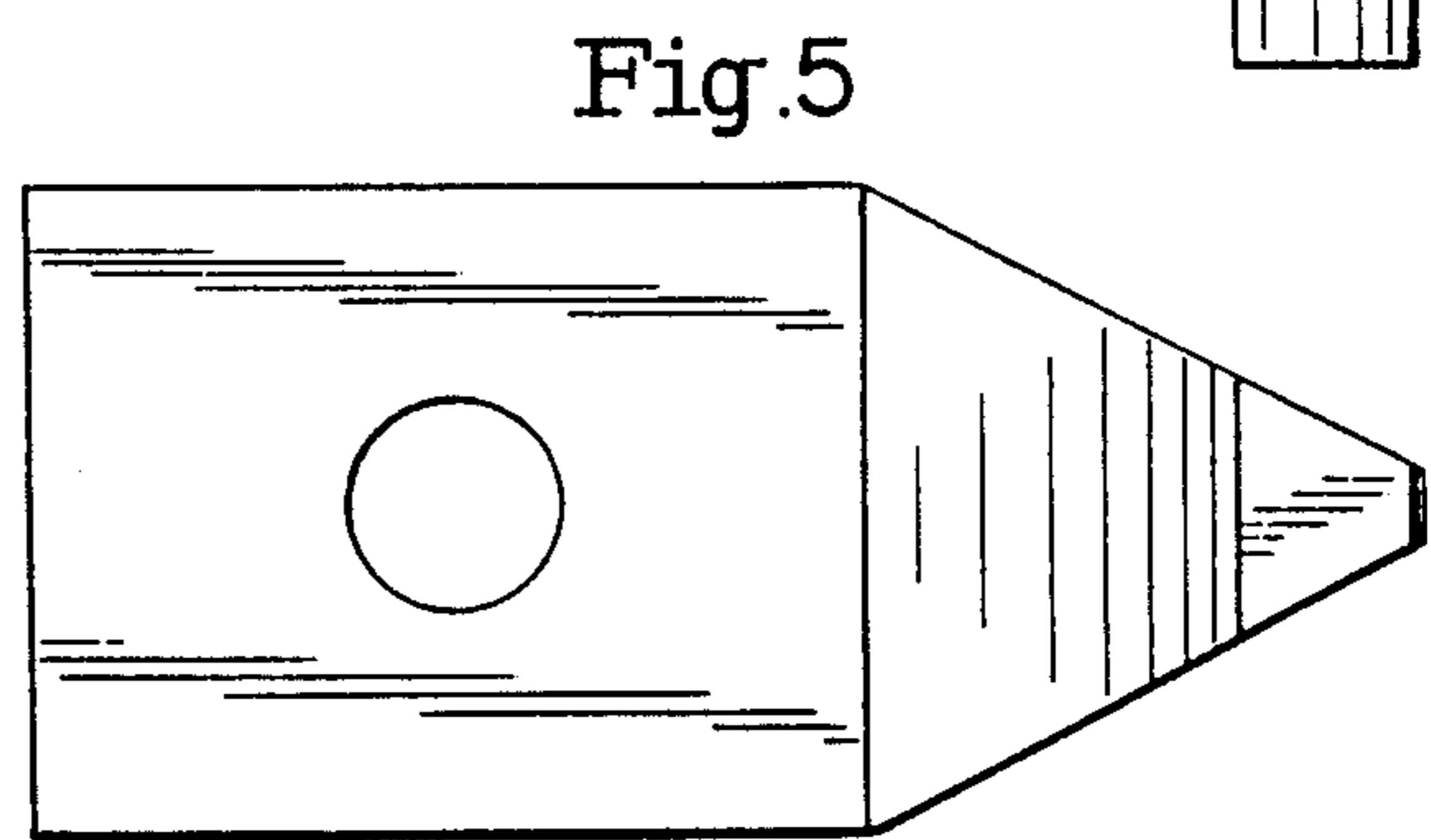
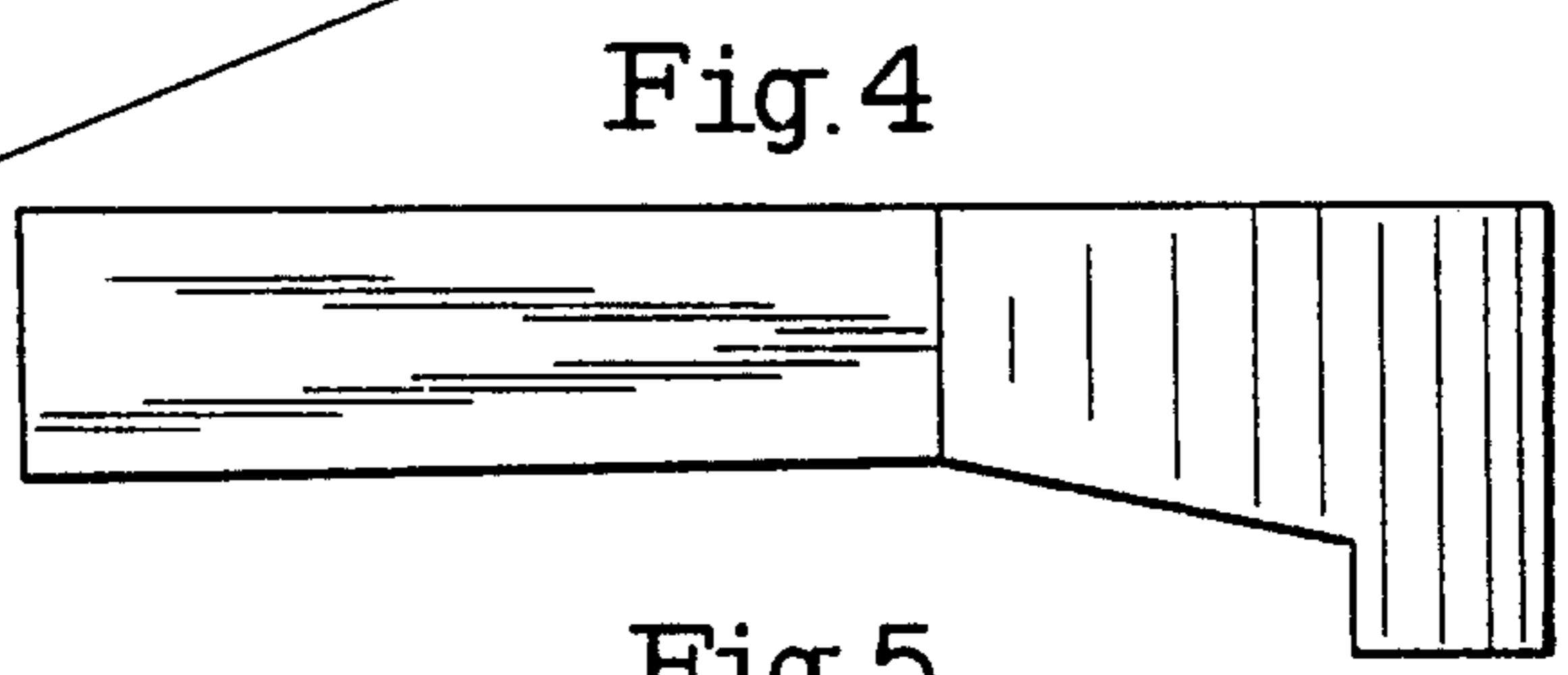
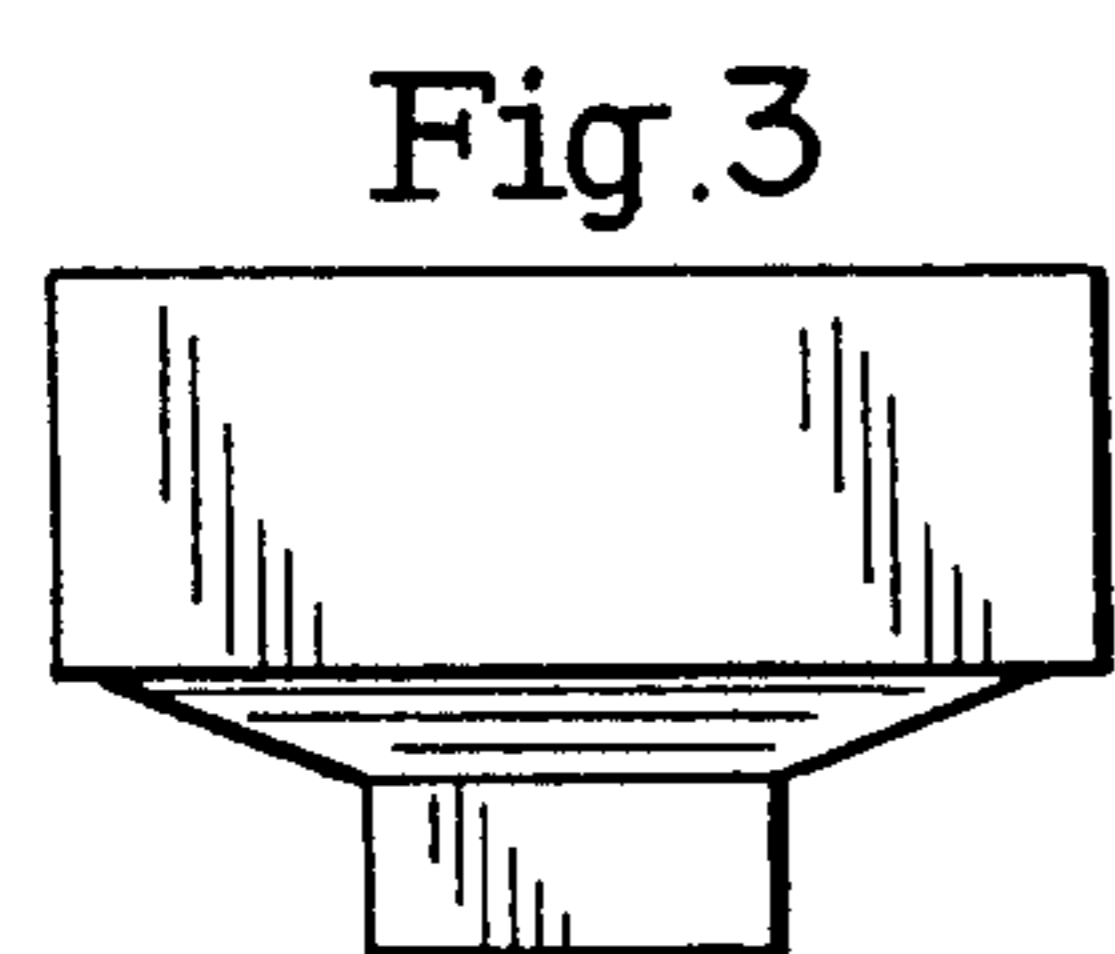
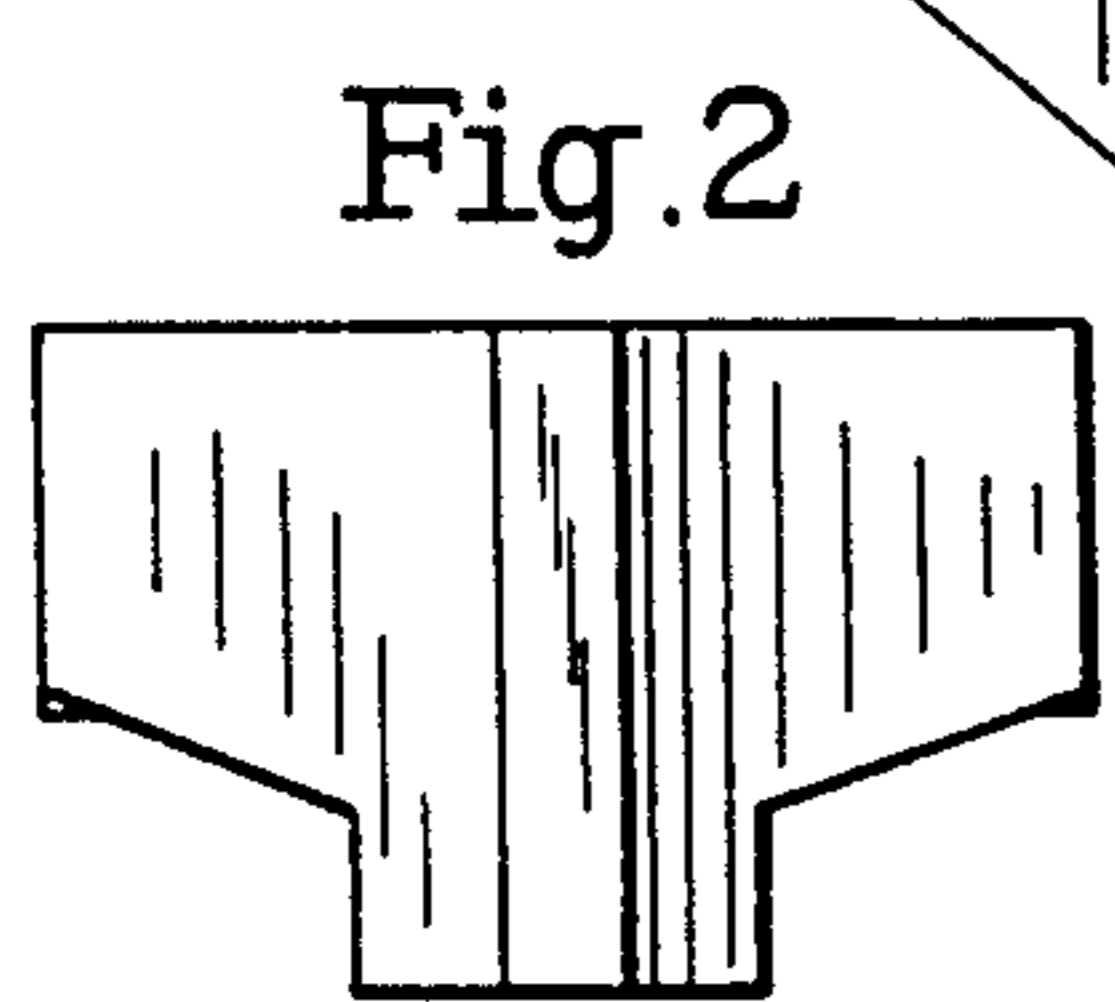
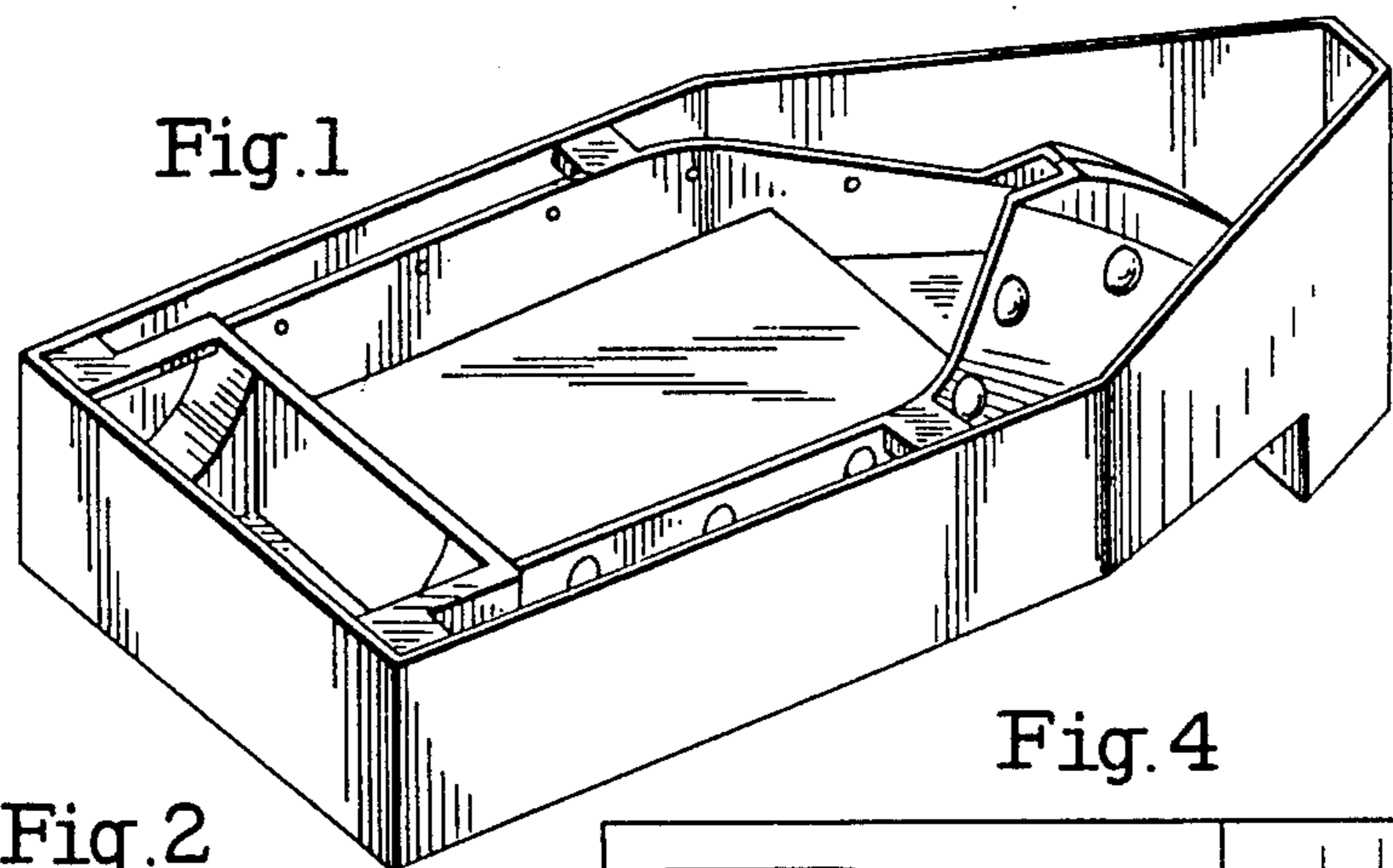


Fig.8

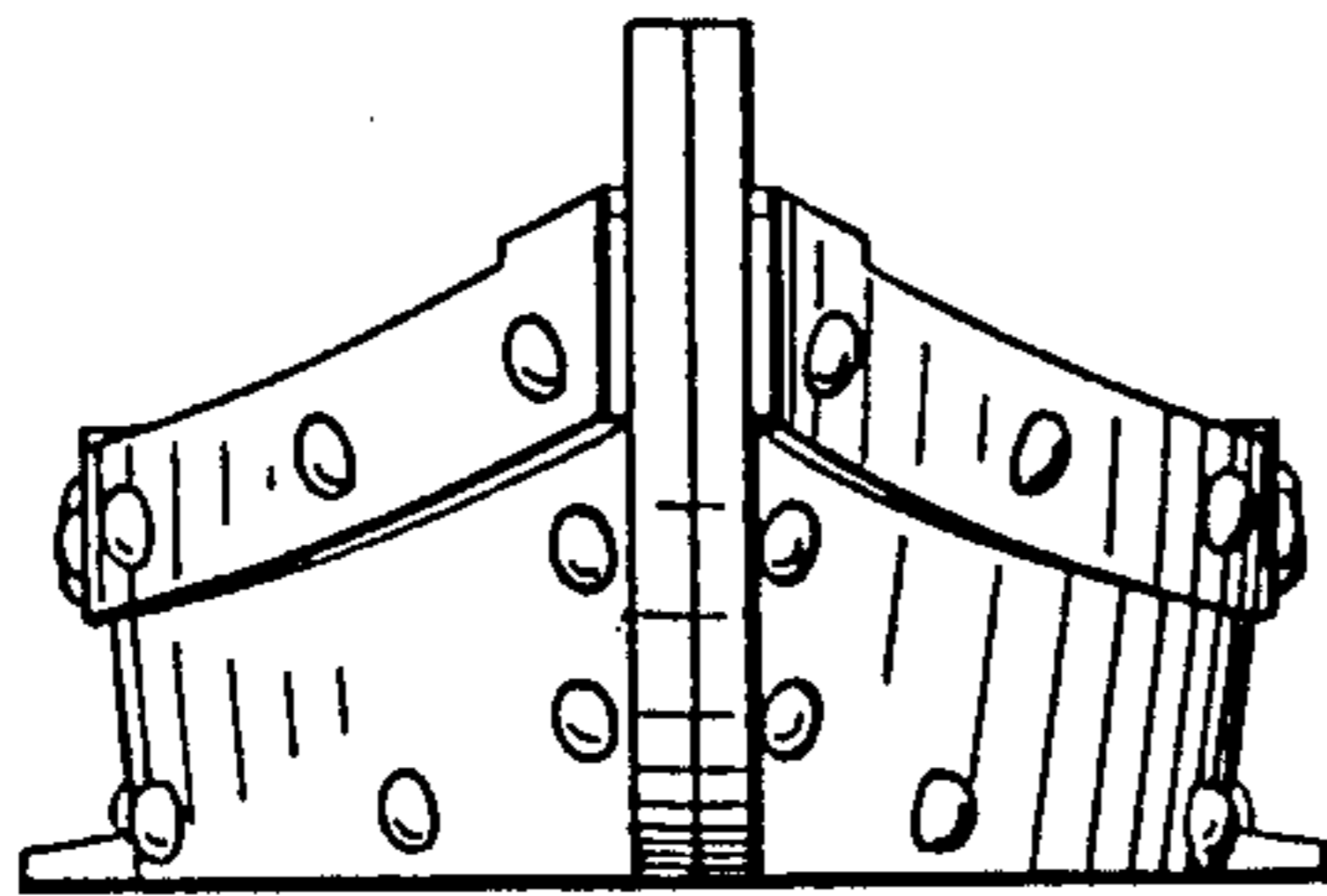


Fig.9

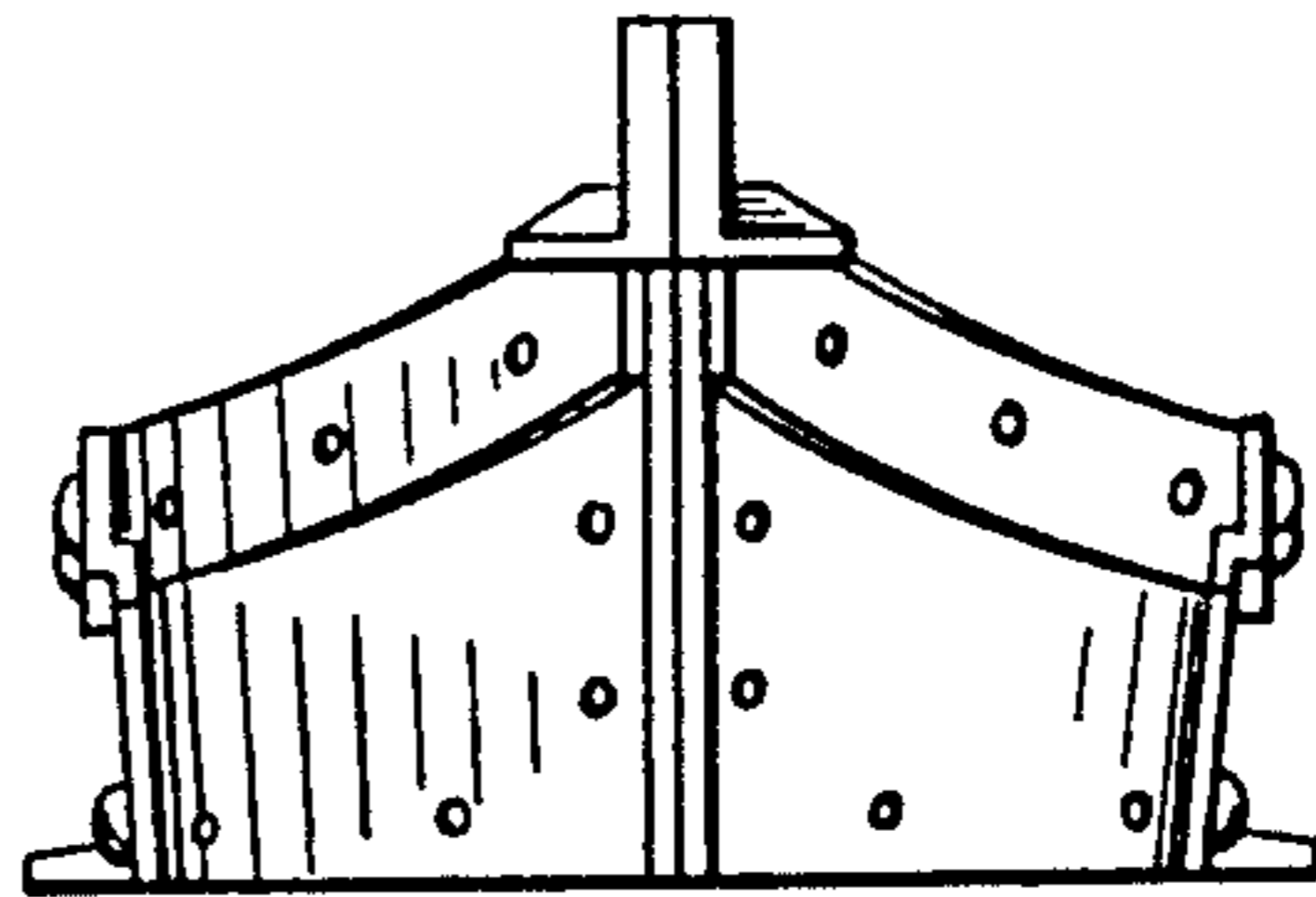


Fig.10

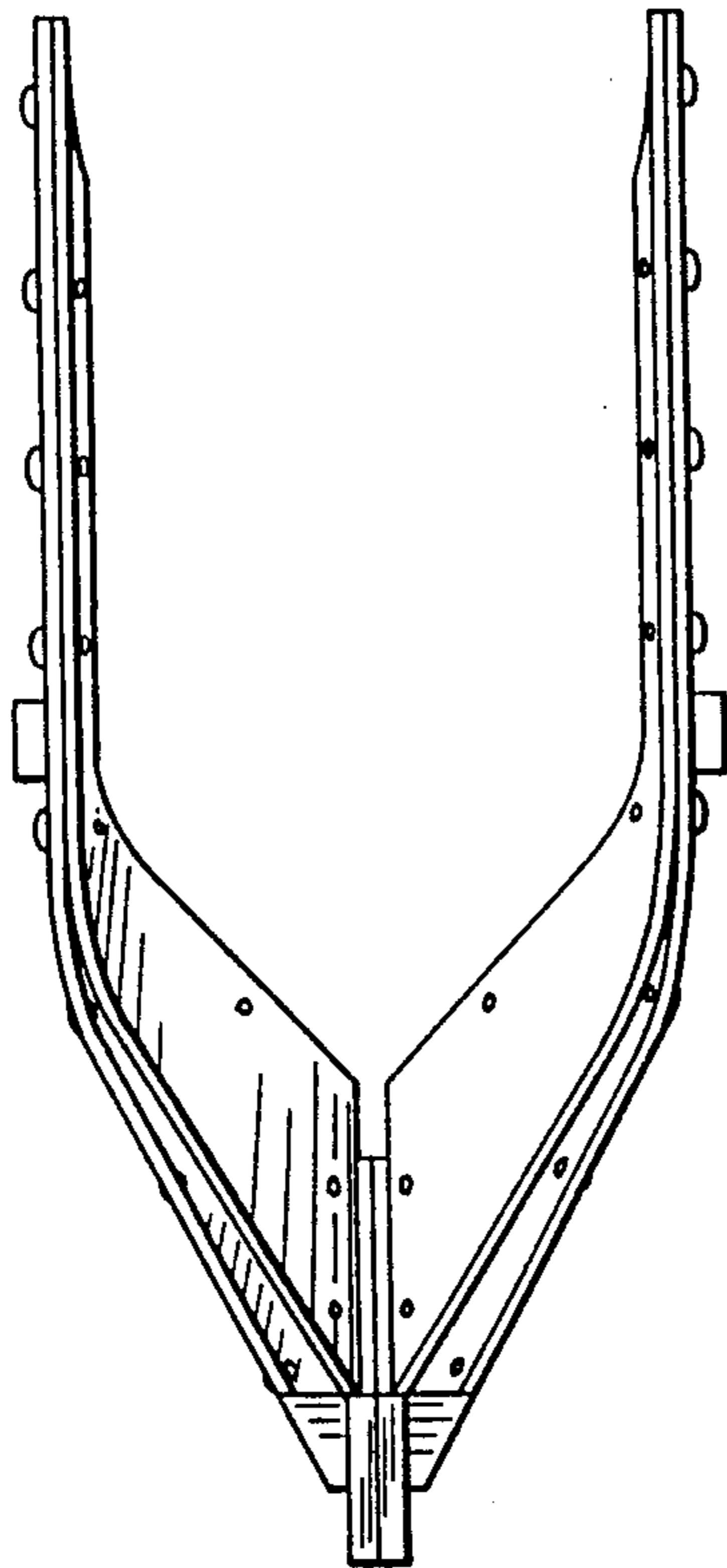


Fig.11

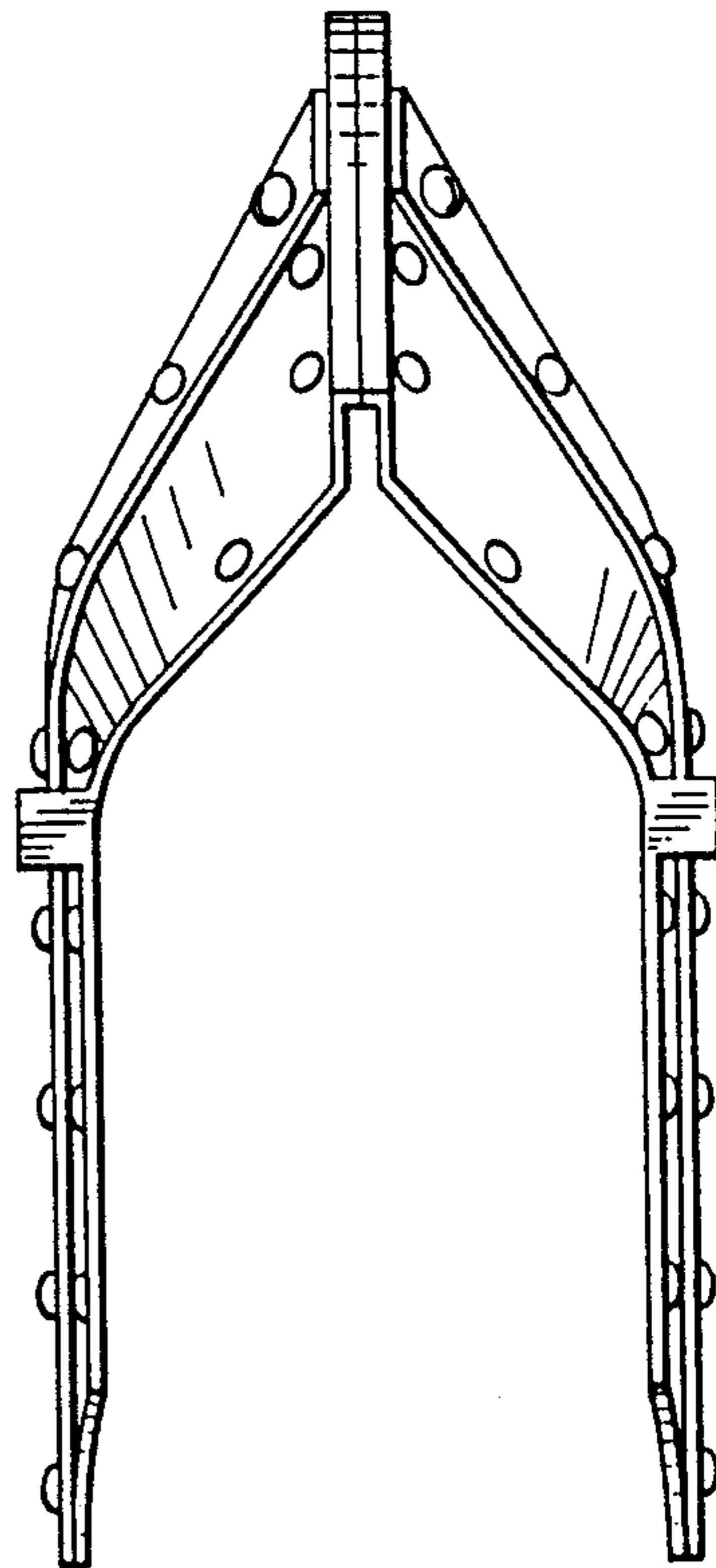


Fig.12

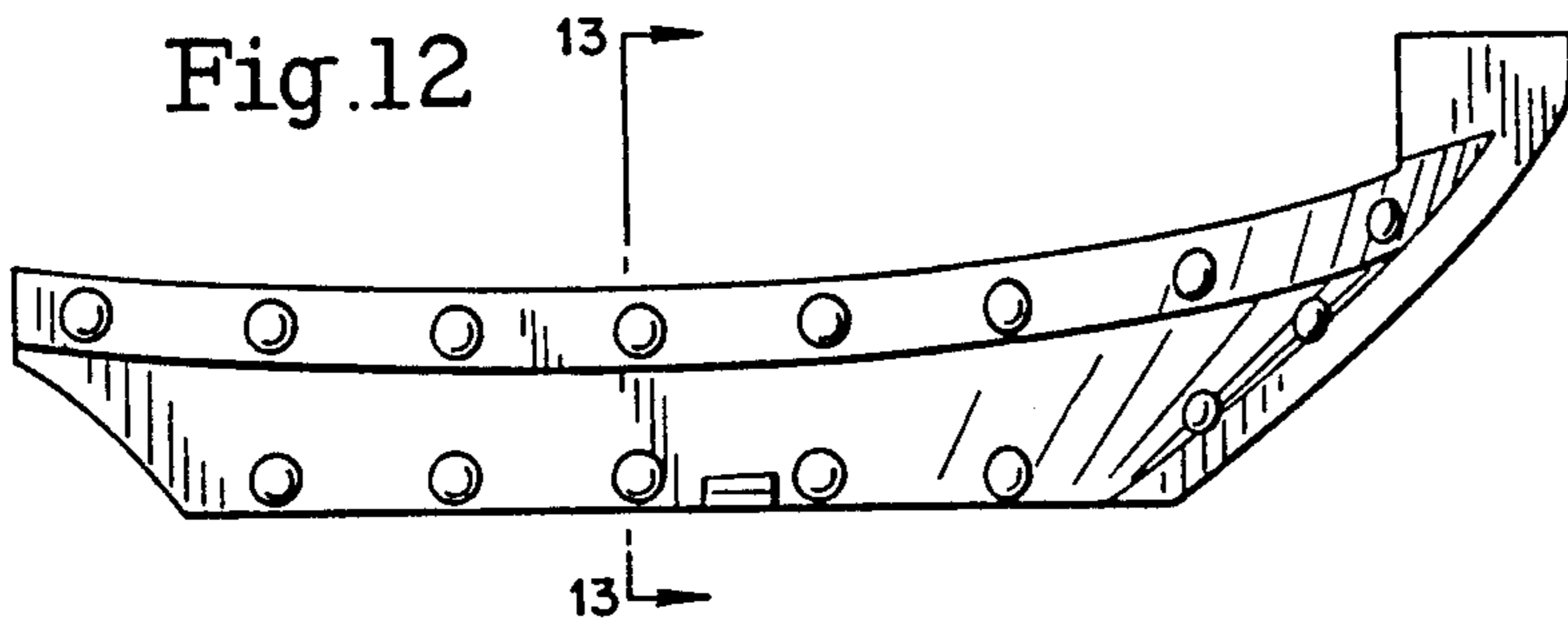


Fig.13

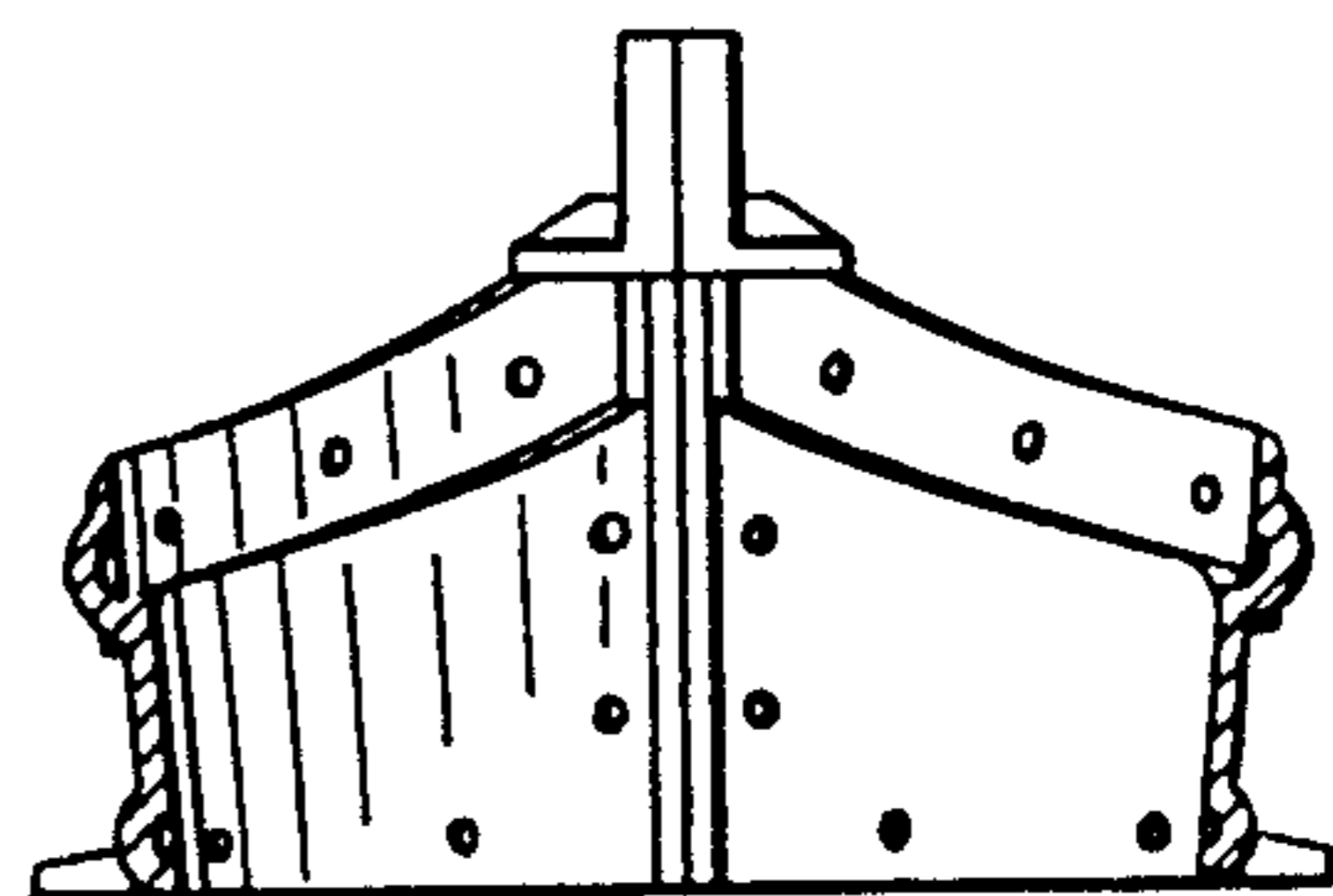




Fig.14

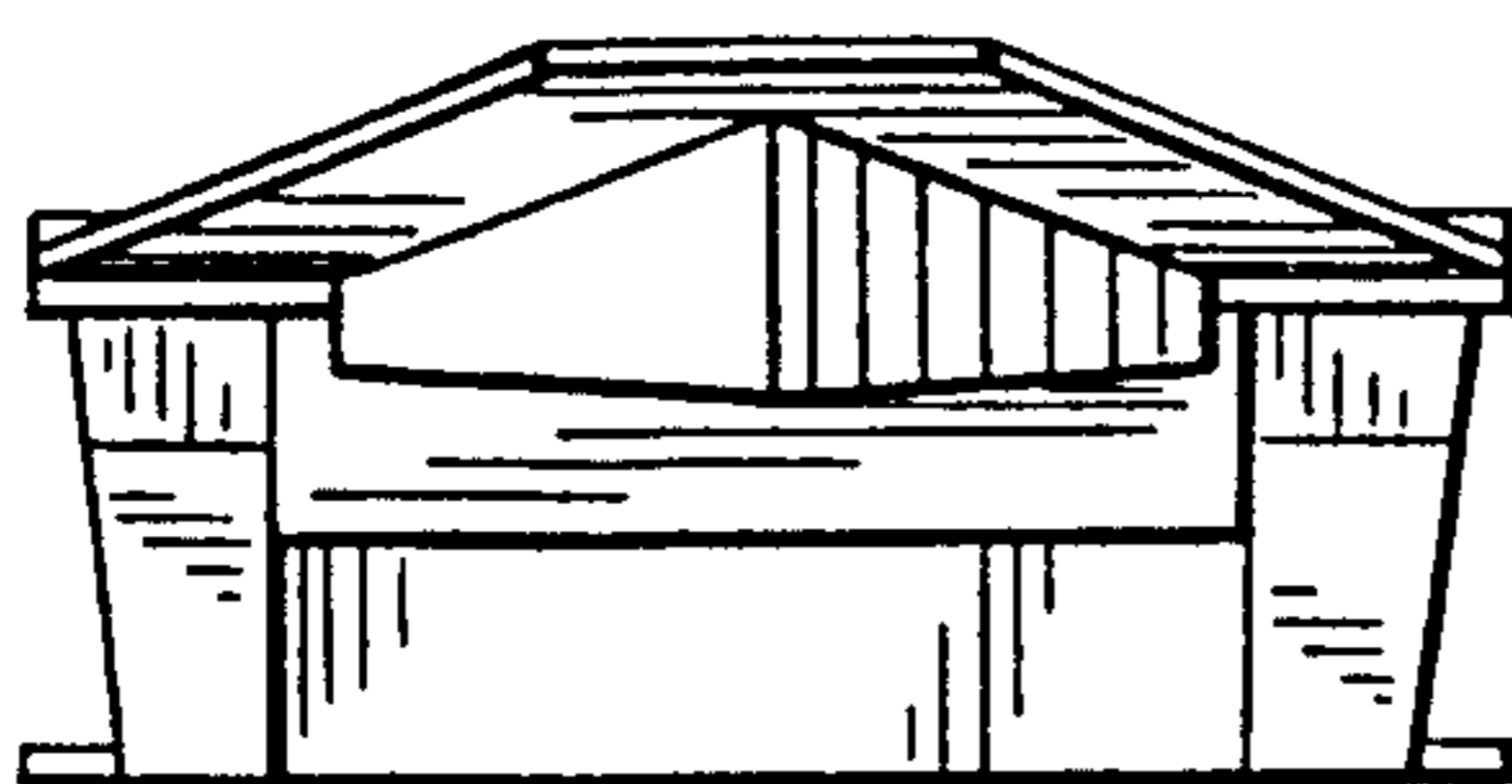


Fig.15

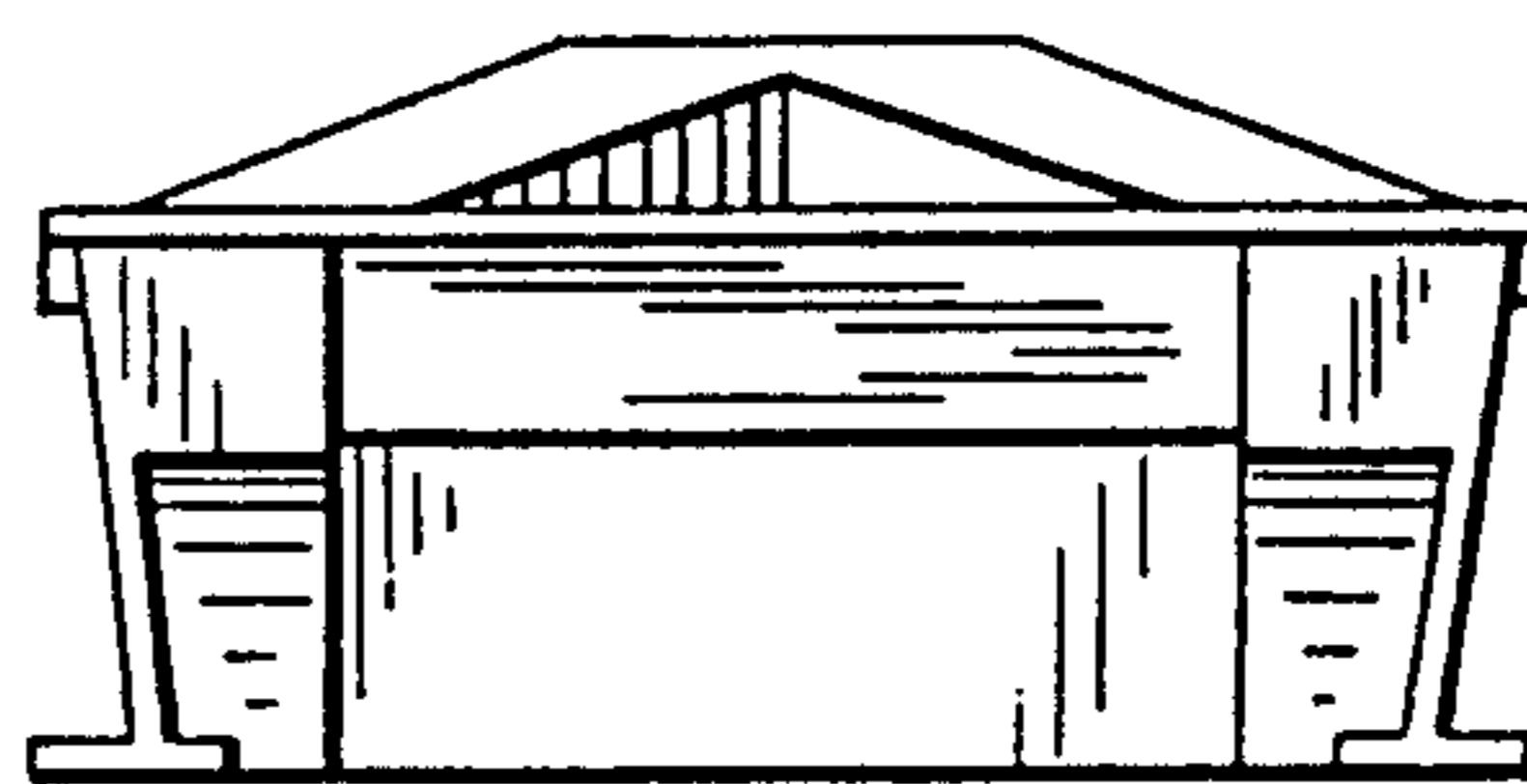


Fig.16

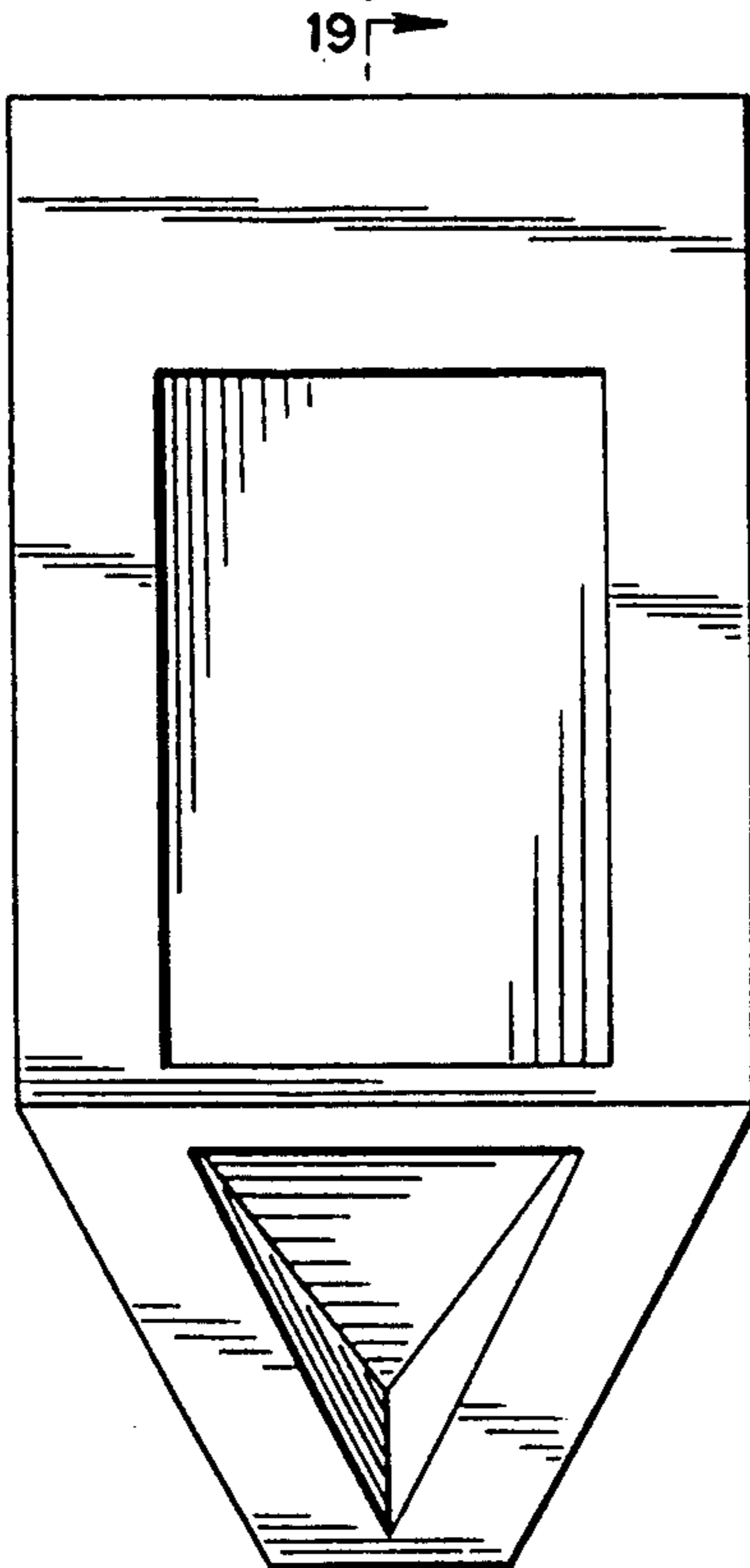


Fig.17

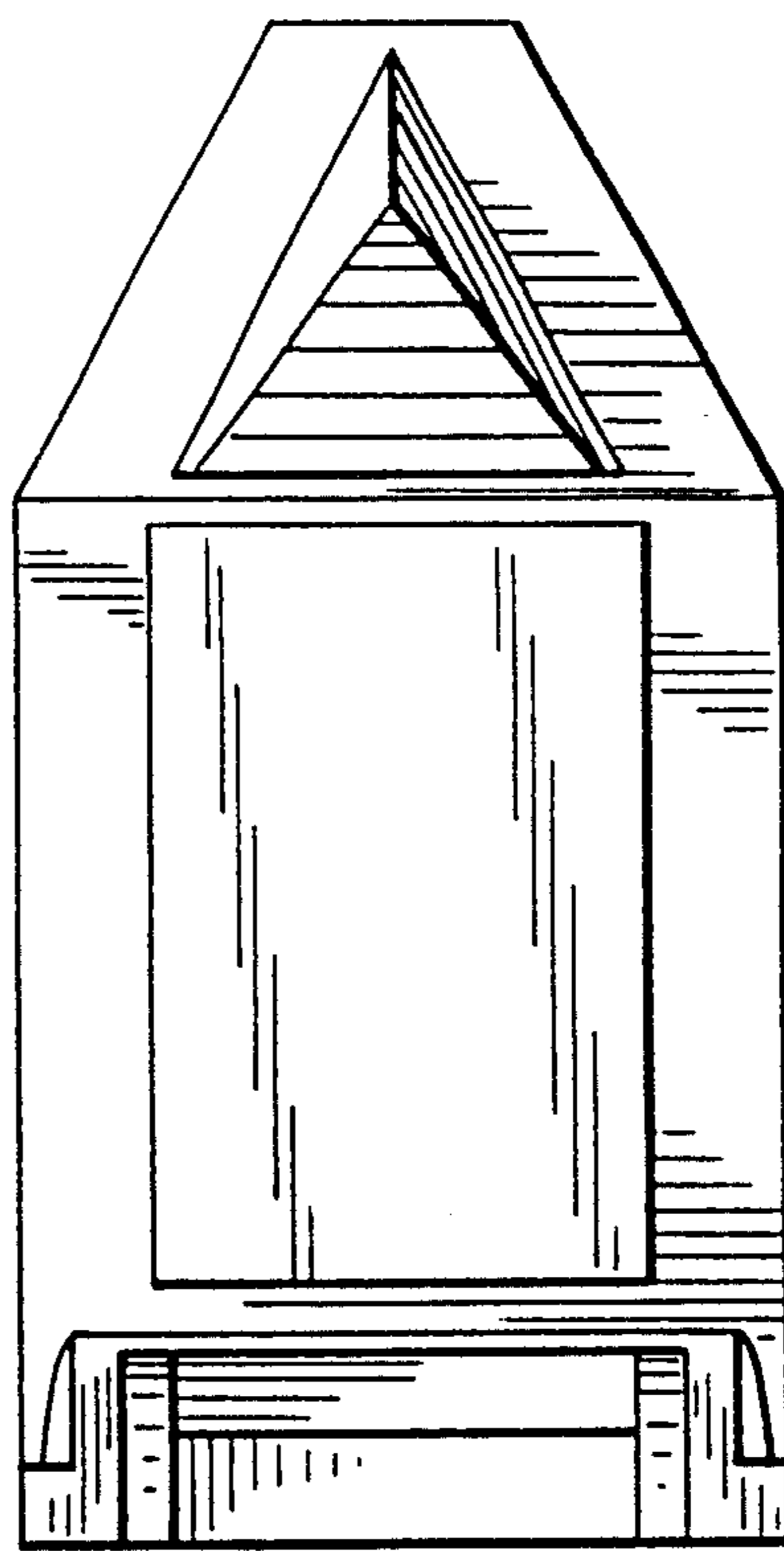


Fig.18

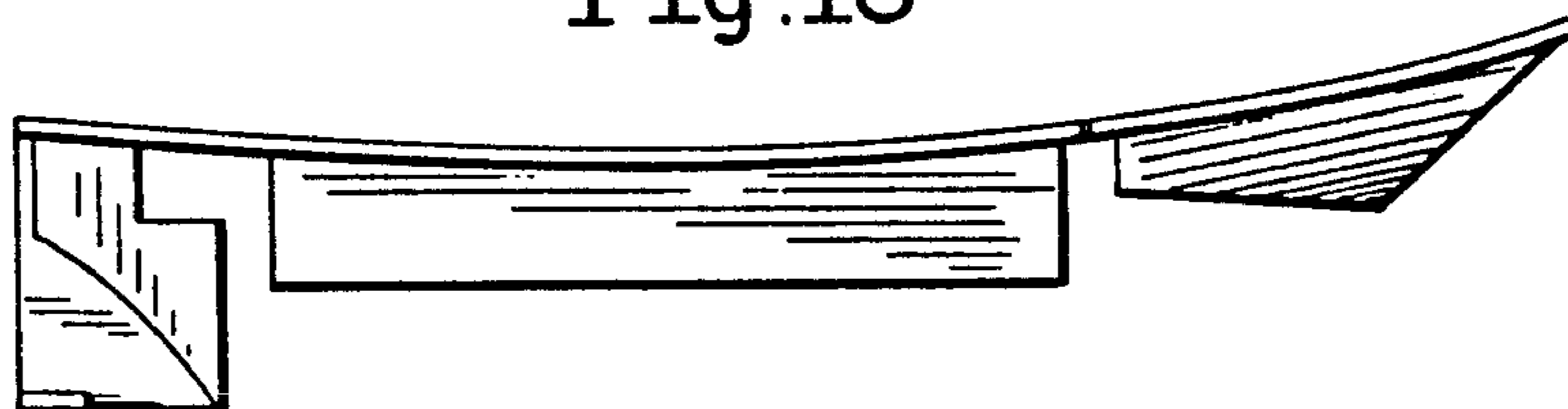


Fig.19

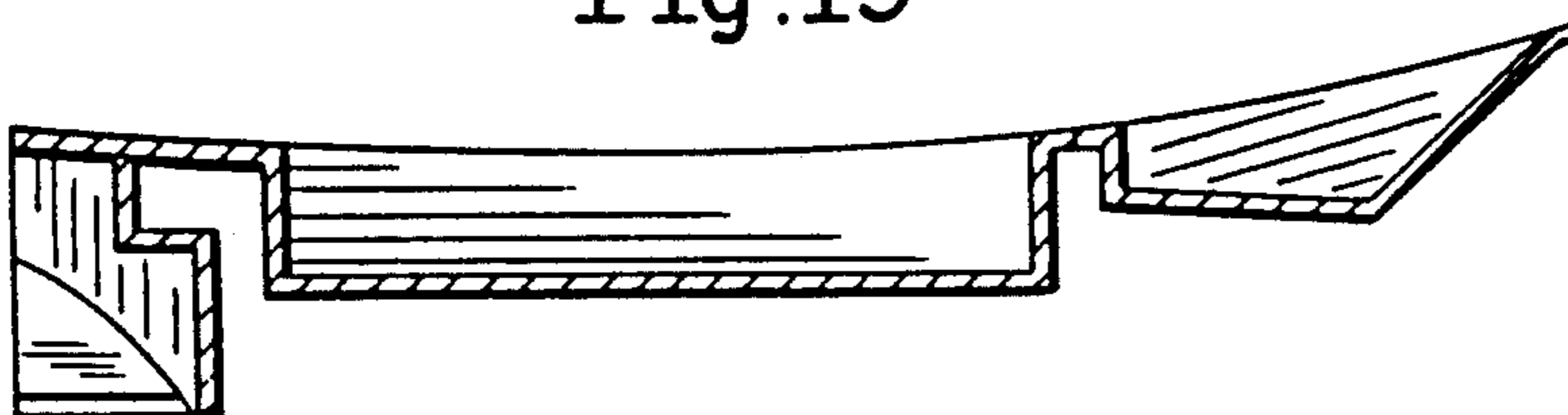


Fig.20

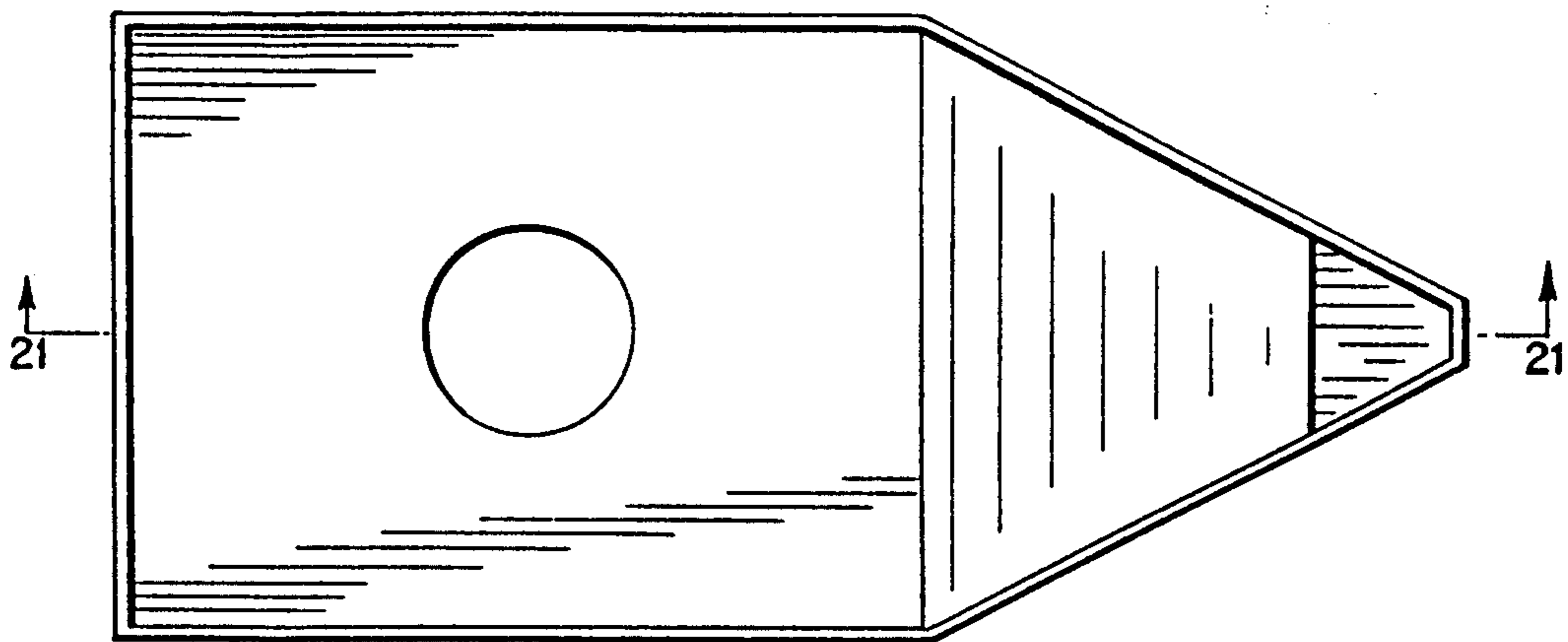


Fig.21

