

United States Patent [19]
Holcomb

[11] **Patent Number: Des. 320,912**
[45] **Date of Patent: ** Oct. 22, 1991**

[54] **CHEESE DISPENSER**
[75] **Inventor: David A. Holcomb, Seattle, Wash.**
[73] **Assignee: Chef'N Corporation, Seattle, Wash.**
[**] **Term: 14 Years**
[21] **Appl. No.: 332,753**
[22] **Filed: Mar. 30, 1989**
[52] **U.S. Cl. D7/672**
[58] **Field of Search D7/672; 30/115, 116;
83/417, 423, 648, 651; 222/386, 390, 620**

2,270,935 12/1938 Doering .
4,513,501 4/1985 Lee 30/116 X
4,697,488 10/1987 Cole 30/116 X

Primary Examiner—Terry A. Pfeffer
Attorney, Agent, or Firm—Seed and Berry

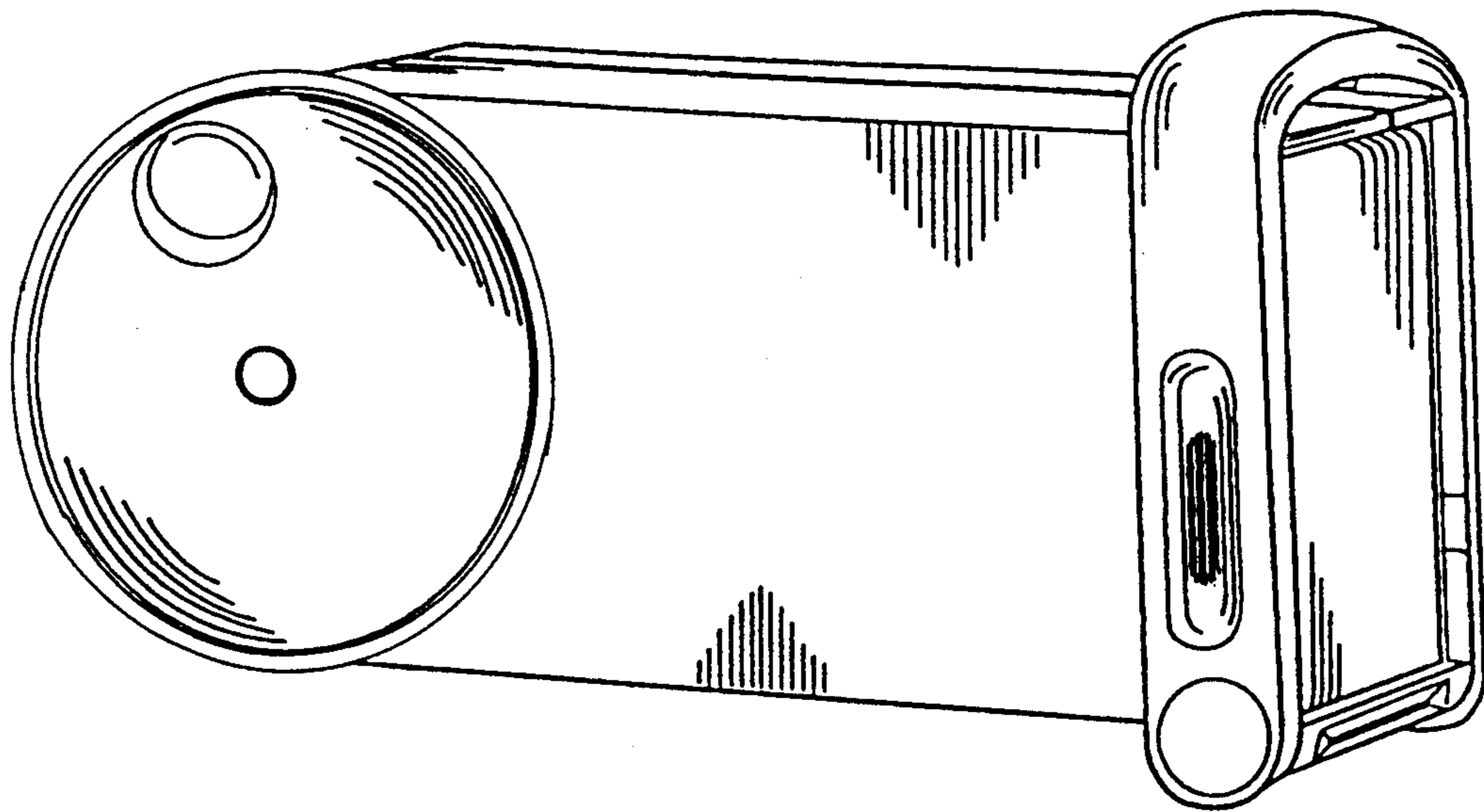
[57] **CLAIM**

The ornamental design for a cheese dispenser, as shown.

DESCRIPTION

FIG. 1 is a right side elevational view of a cheese dispenser showing my new design;
FIG. 2 is a left side elevational view thereof;
FIG. 3 is a perspective view thereof;
FIG. 4 is a front elevational view thereof;
FIG. 5 is a rear elevational view thereof;
FIG. 6 is a top plan view thereof; and
FIG. 7 is a bottom plan view thereof.

[56] **References Cited**
U.S. PATENT DOCUMENTS
145,439 12/1873 Miller .
1,581,074 10/1924 MacFarland .



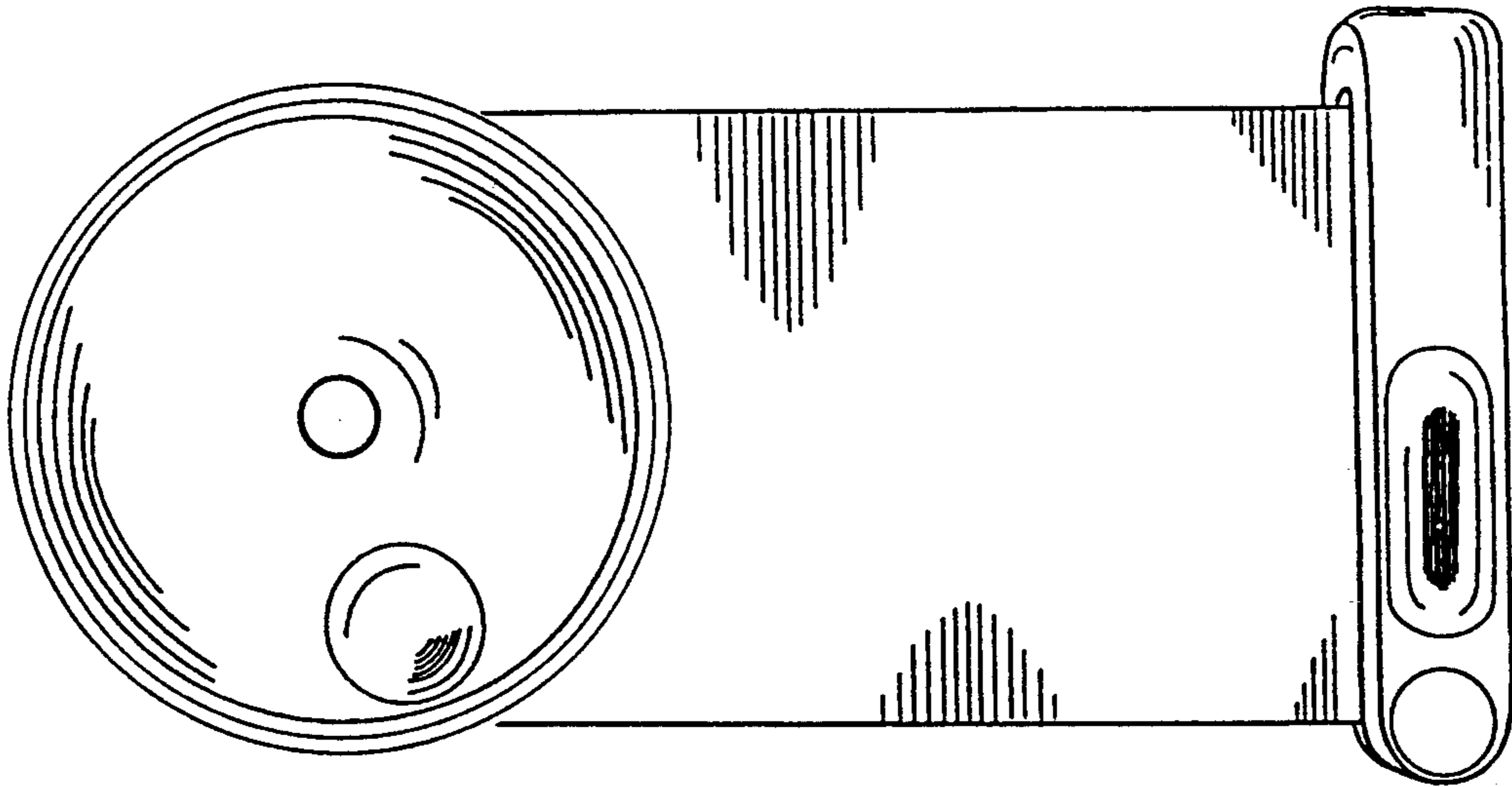


Figure 1

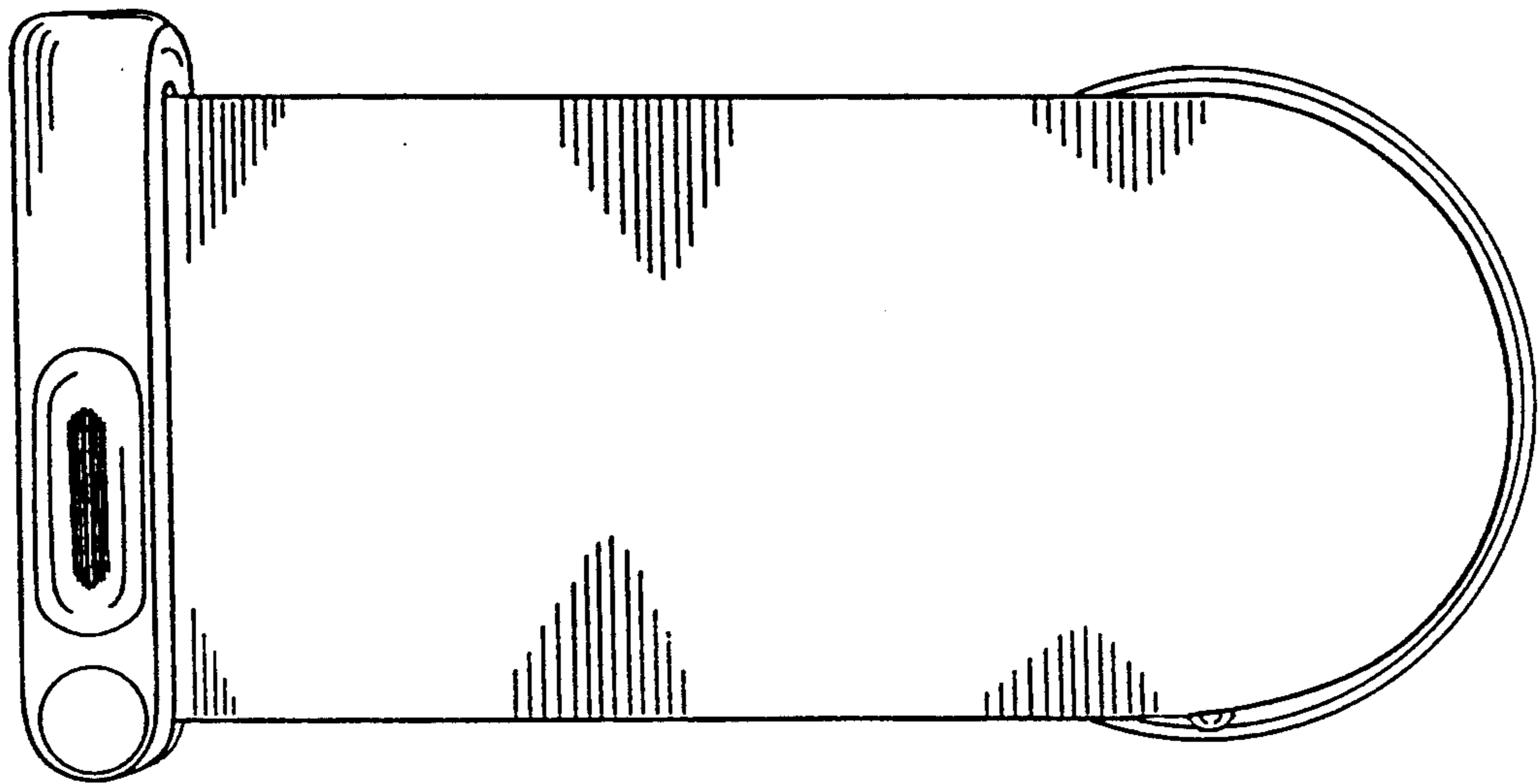


Figure 2

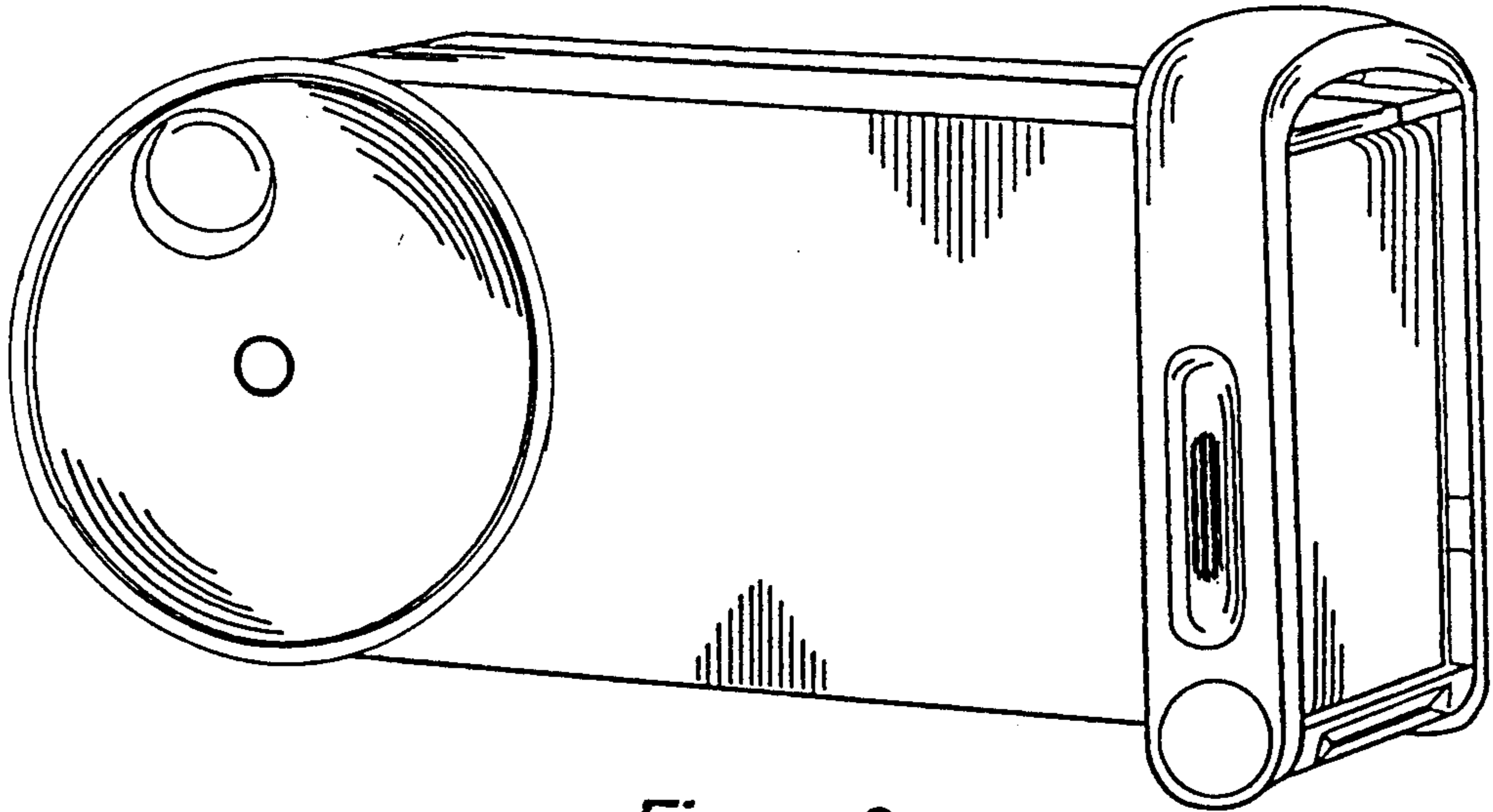


Figure 3

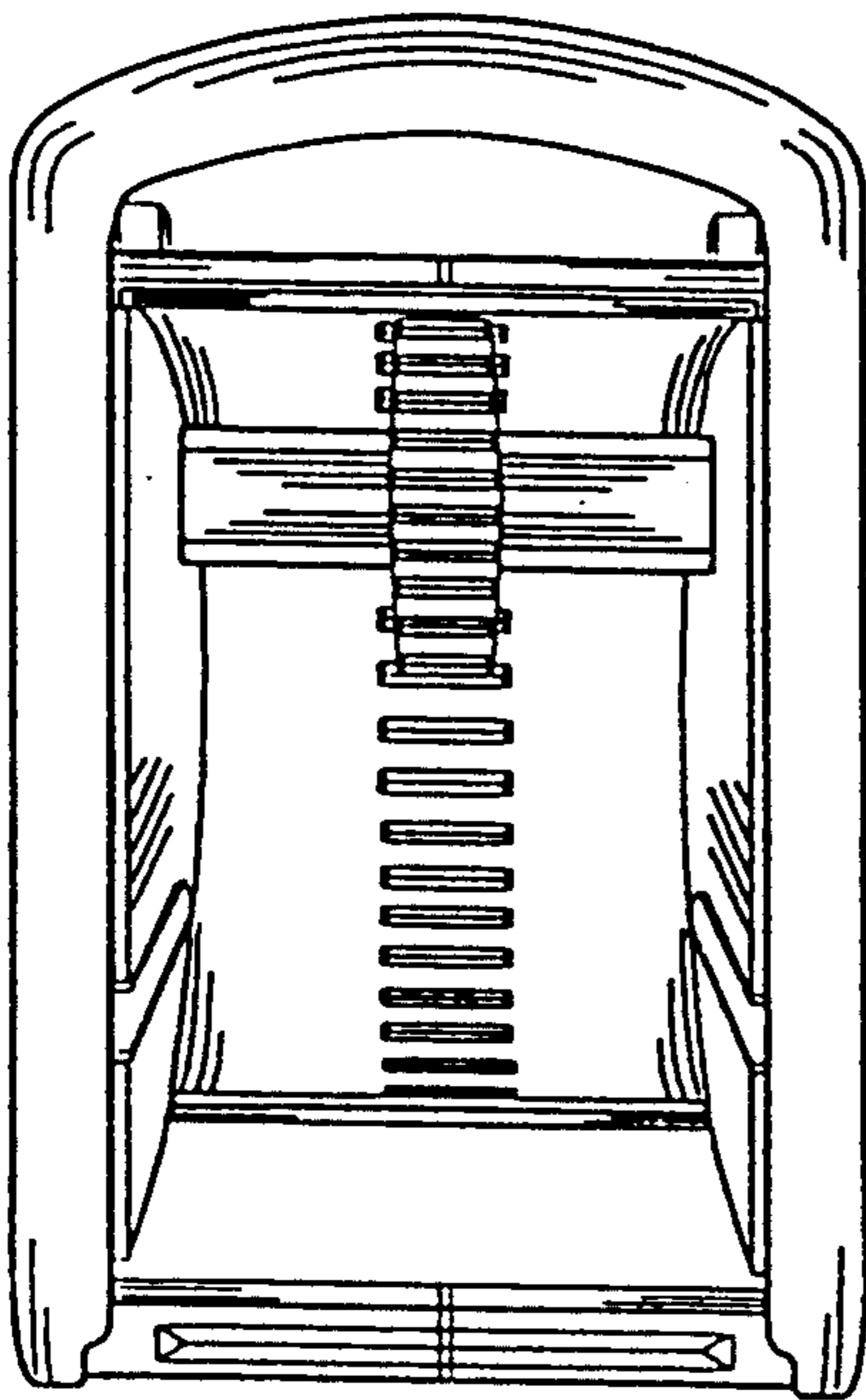


Figure 4

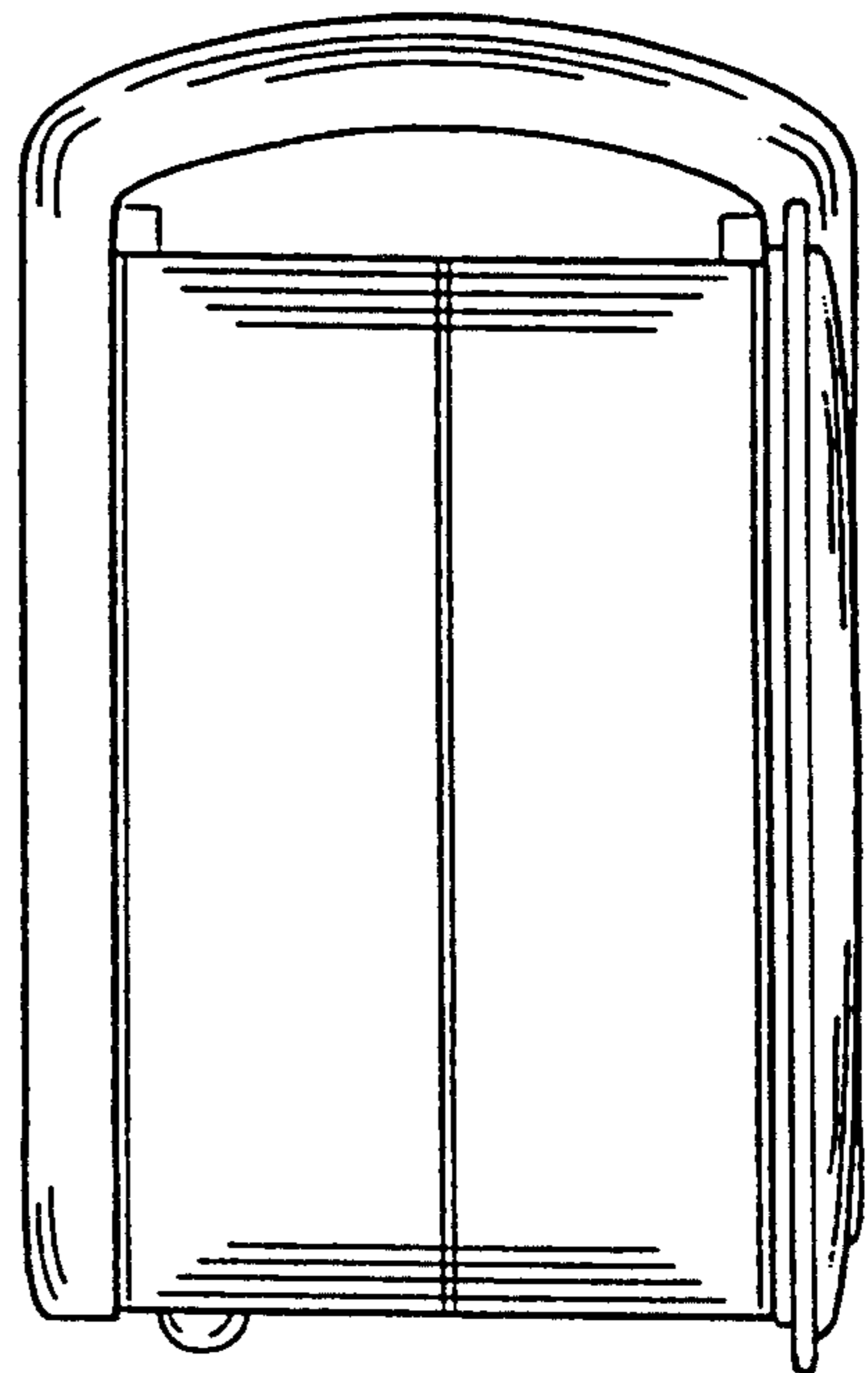


Figure 5

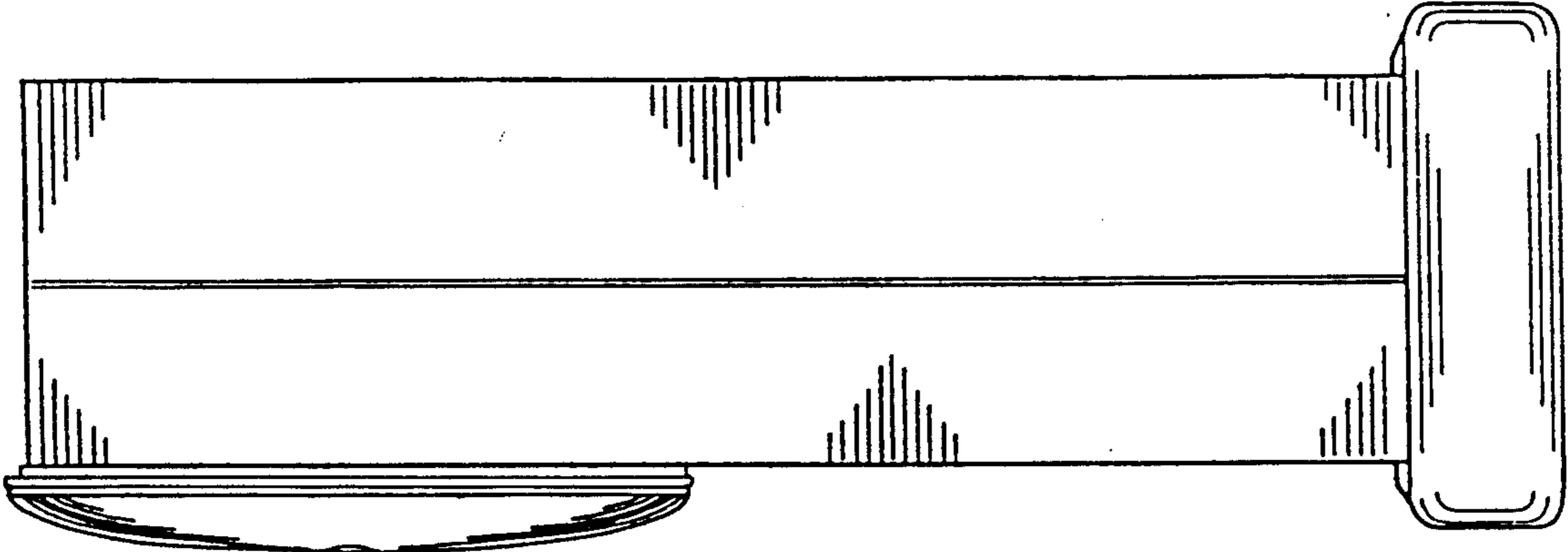


Figure 6

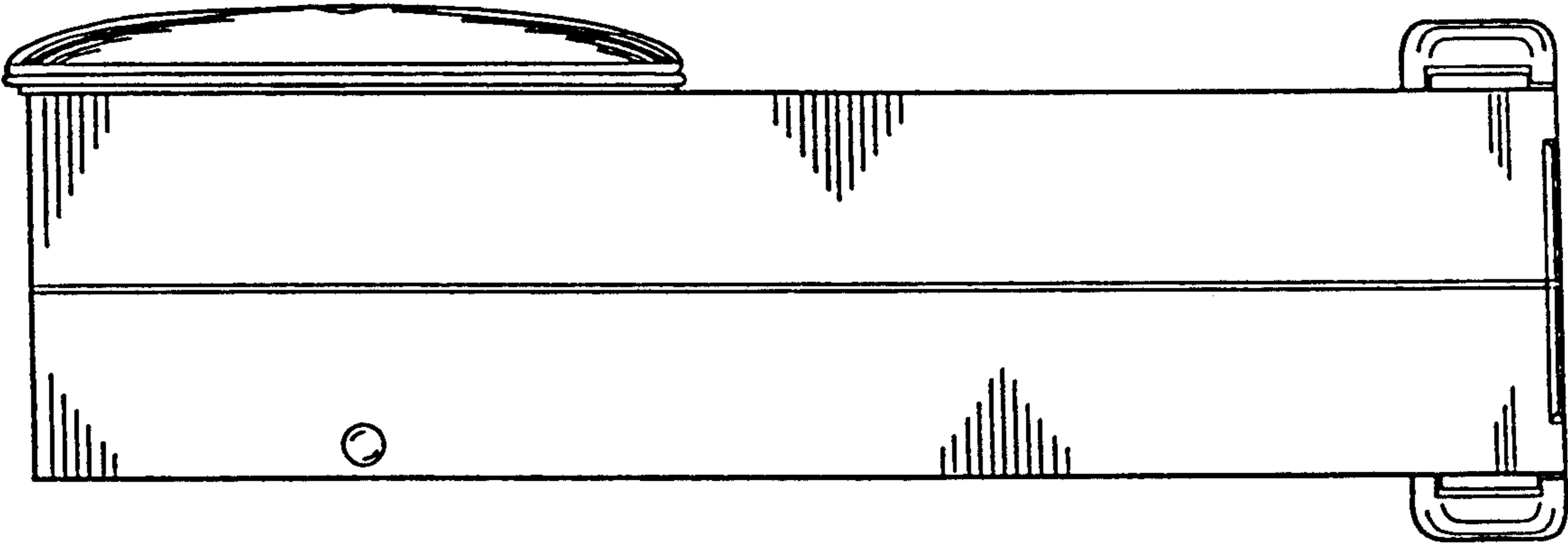


Figure 7