

[54] TRAY OR THE LIKE

[75] Inventor: Larry G. Zimmerman, North Smithfield, R.I.

[73] Assignee: Dart Industries Inc., Deerfield, Ill.

[\*\*] Term: 14 Years

[21] Appl. No.: 300,679

[22] Filed: Jan. 23, 1989

[52] U.S. Cl. .... D7/545; D7/359; D7/560; D7/586

[58] Field of Search ..... D7/507, 543-545, D7/549-551, 553, 554, 556, 555, 560, 586, 587, 560, 505, 360, 359; 294/172

[56] References Cited

U.S. PATENT DOCUMENTS

D. 50,004	12/1916	Wojdkow	.....	D7/586
D. 51,879	3/1918	Evans	.....	D7/545
D. 77,931	3/1929	Allen	.....	D7/545
D. 212,678	11/1968	Swett	.....	D7/629
D. 246,560	12/1977	Beauchamp et al.	.....	D7/616
D. 248,357	7/1978	Daenen	.....	D7/505
D. 255,309	6/1980	Colato et al.	.....	D7/542
D. 276,870	12/1984	Gulotta	.....	D7/545 X
D. 281,564	12/1985	Pozzi	.....	D7/505
D. 285,767	9/1986	Zieff	.....	D7/603

OTHER PUBLICATIONS

Corning® Microwave Products, brochure date 5/83, MC-4 2½ Qt. Oval Meat/Fish Dish/Built-in-Rack.

Primary Examiner—Winifred E. Herrmann  
Attorney, Agent, or Firm—John A. Doninger

[57] CLAIM

The ornamental design for a tray or the like, as shown and described.

DESCRIPTION

FIG. 1 is a top perspective view of the tray or the like showing my new design;

FIG. 2 is a side elevational view thereof;

FIG. 3 is a top plan view thereof, with the facets on the exterior wall removed for clarity of illustration;

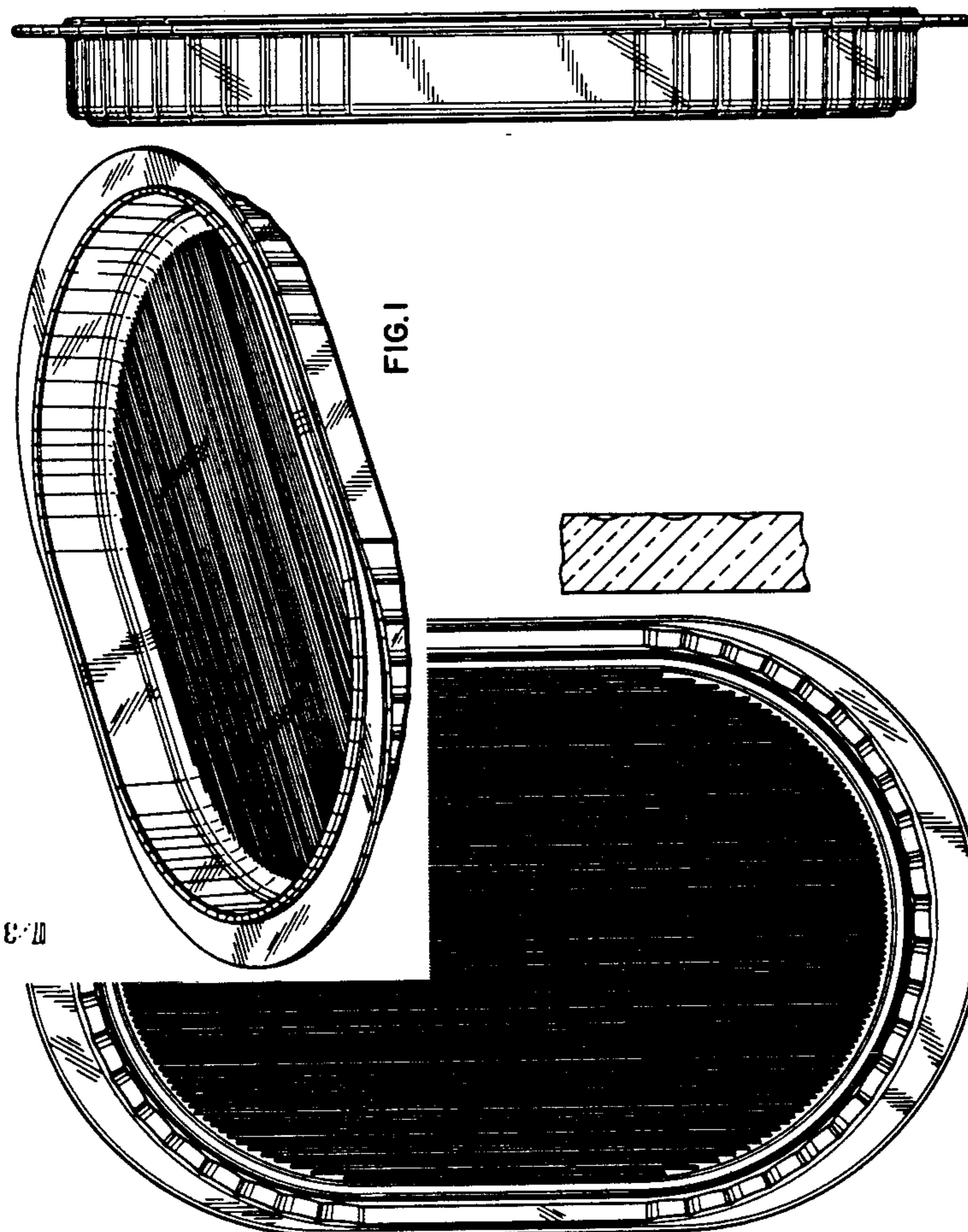
FIG. 4 is a bottom plan view thereof;

FIG. 5 is an end elevational view thereof;

FIG. 6 is a cross-sectional view taken along line 6—6 of FIG. 3, with the facets on the exterior wall removed for clarity of illustration;

FIG. 7 is an enlarged fragmentary view of the grooves on the interior of the bottom surface of the tray or the like shown in FIG. 3; and

FIG. 8 is a cross-sectional view taken along line 8—8 of FIG. 7.



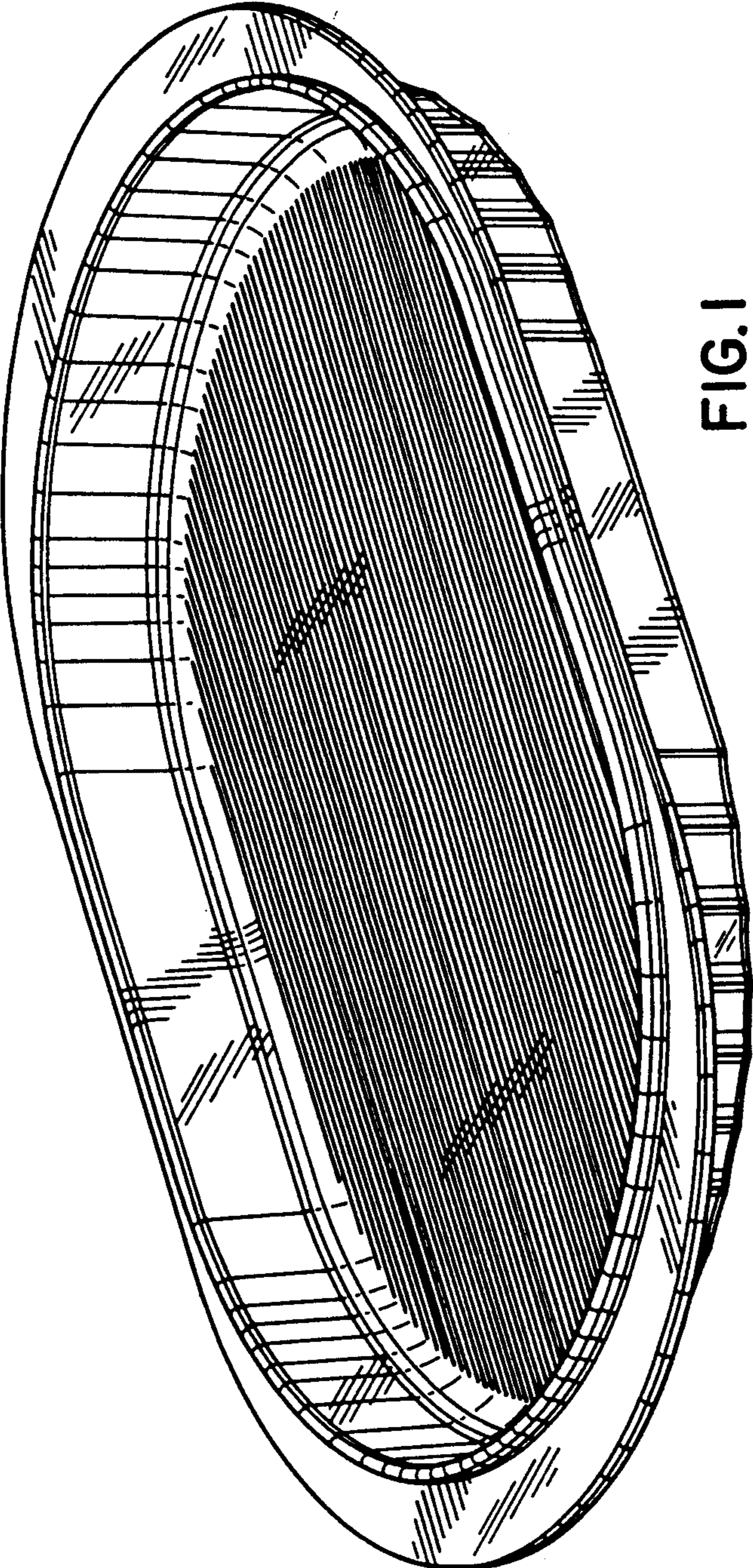


FIG. 1

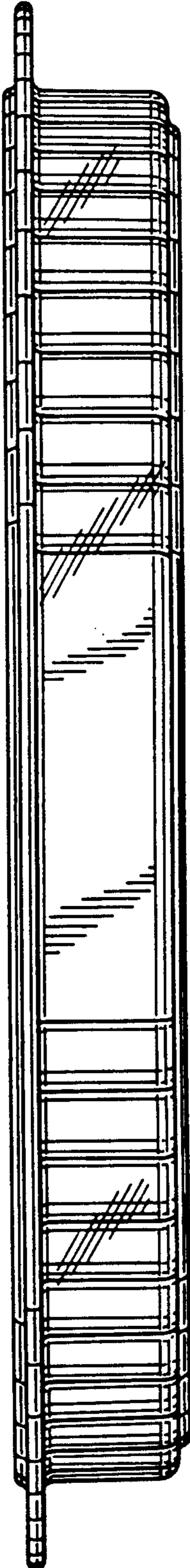


FIG. 2



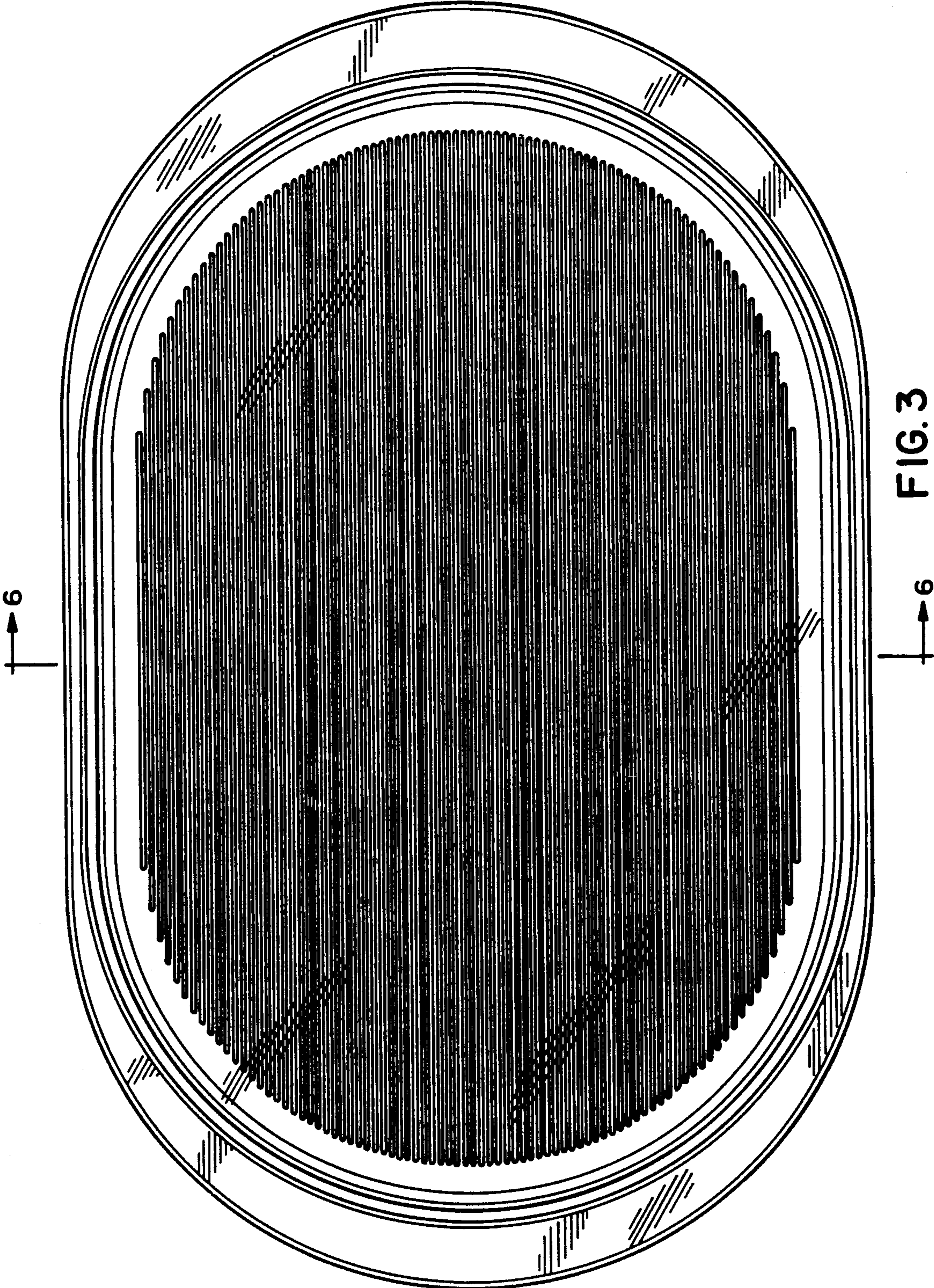


FIG. 3



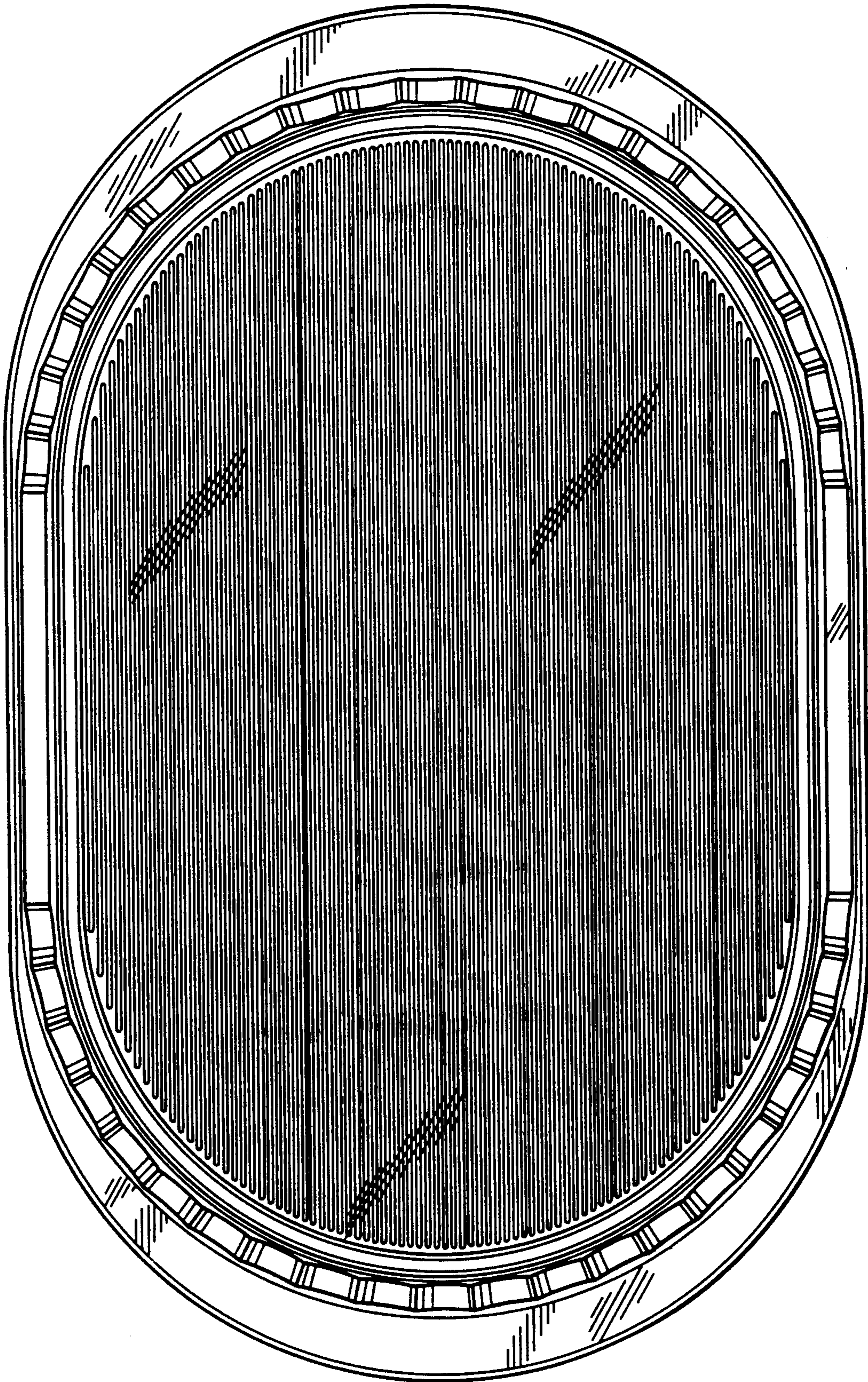


FIG. 4

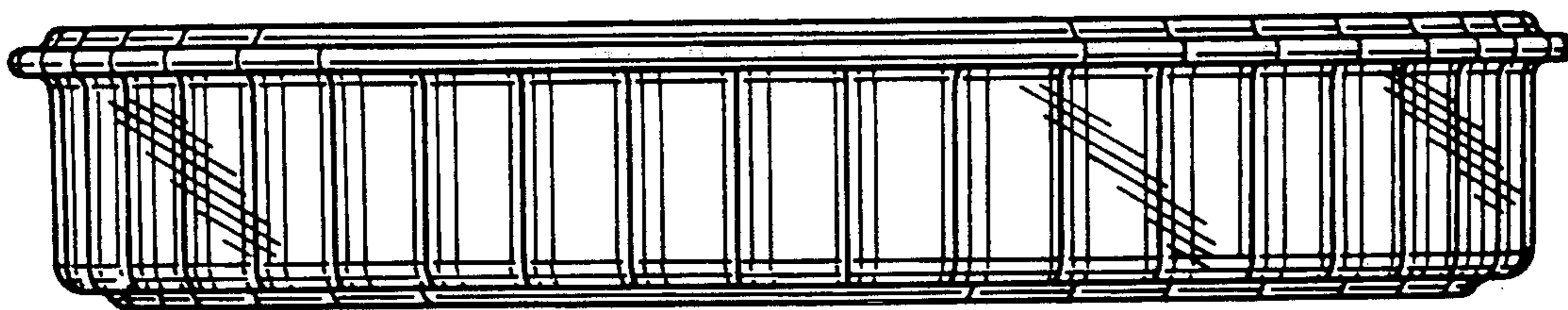


FIG. 5

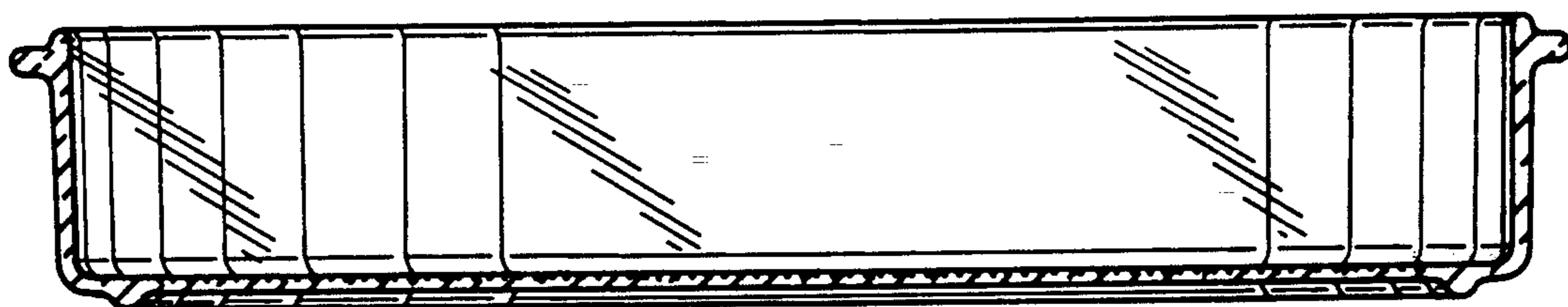


FIG. 6

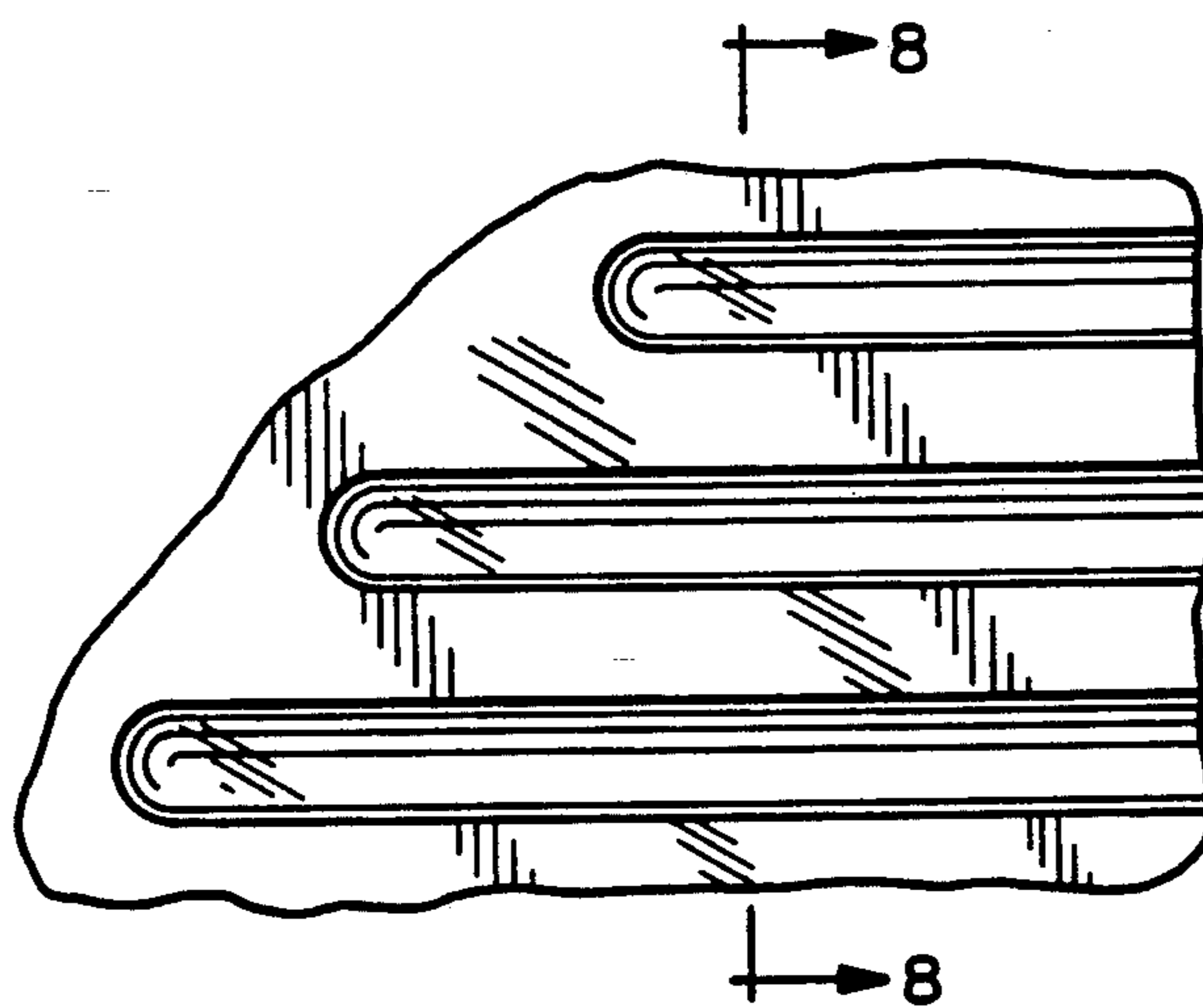


FIG. 7

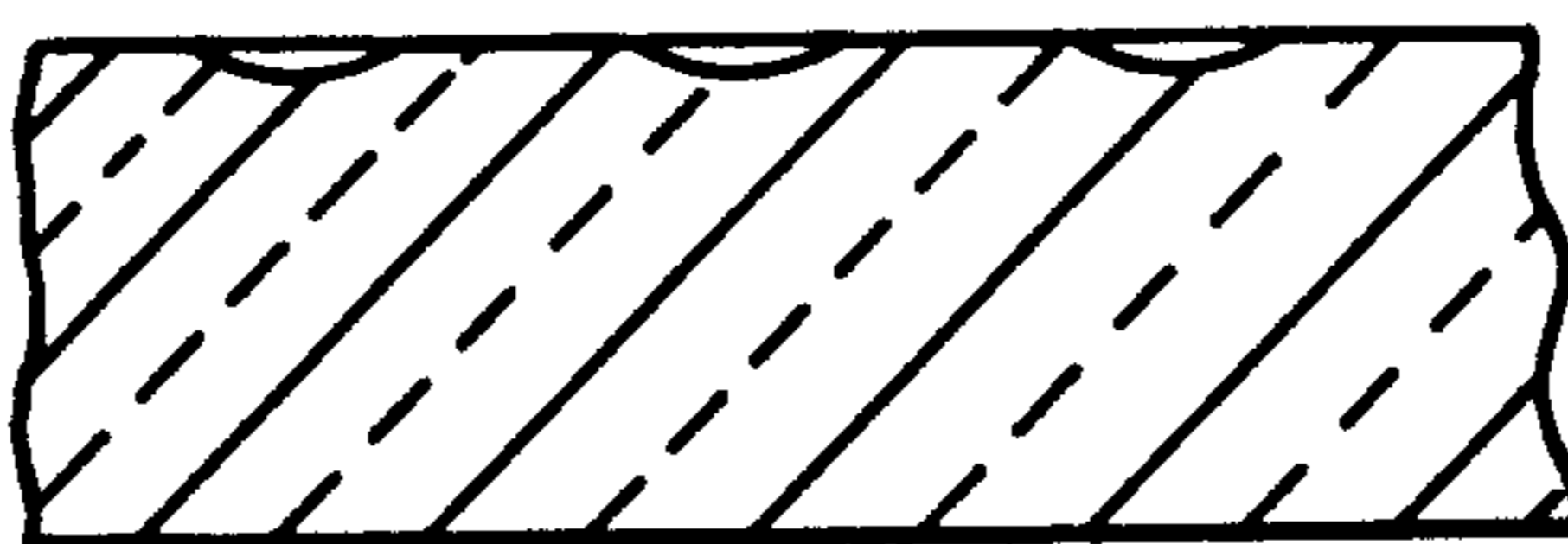


FIG. 8