

[54] COFFEE MAKER

[75] Inventor: Jose M. Vidal-Brualla, Barcelona, Spain

[73] Assignee: C.M.H., S.A., Barcelona, Spain

[**] Term: 14 Years

[21] Appl. No.: 654,925

[22] Filed: Feb. 11, 1991

[56]

References Cited

U.S. PATENT DOCUMENTS

D. 152,722	2/1949	Morrison	D7/306
D. 159,502	8/1950	McCowan, Jr. et al.	D7/311
D. 204,729	5/1966	Hedeman	D7/311
D. 235,388	6/1975	Taylor	D7/308
D. 285,519	9/1986	Giovagnoli	D7/311
D. 310,003	8/1990	King	D7/309
3,001,557	9/1961	Kückens	D7/311 X

Primary Examiner—Winifred E. Herrmann
Attorney, Agent, or Firm—Helfgott & Karas

[57]

CLAIM

The ornamental design for the coffee maker, as shown and described.

DESCRIPTION

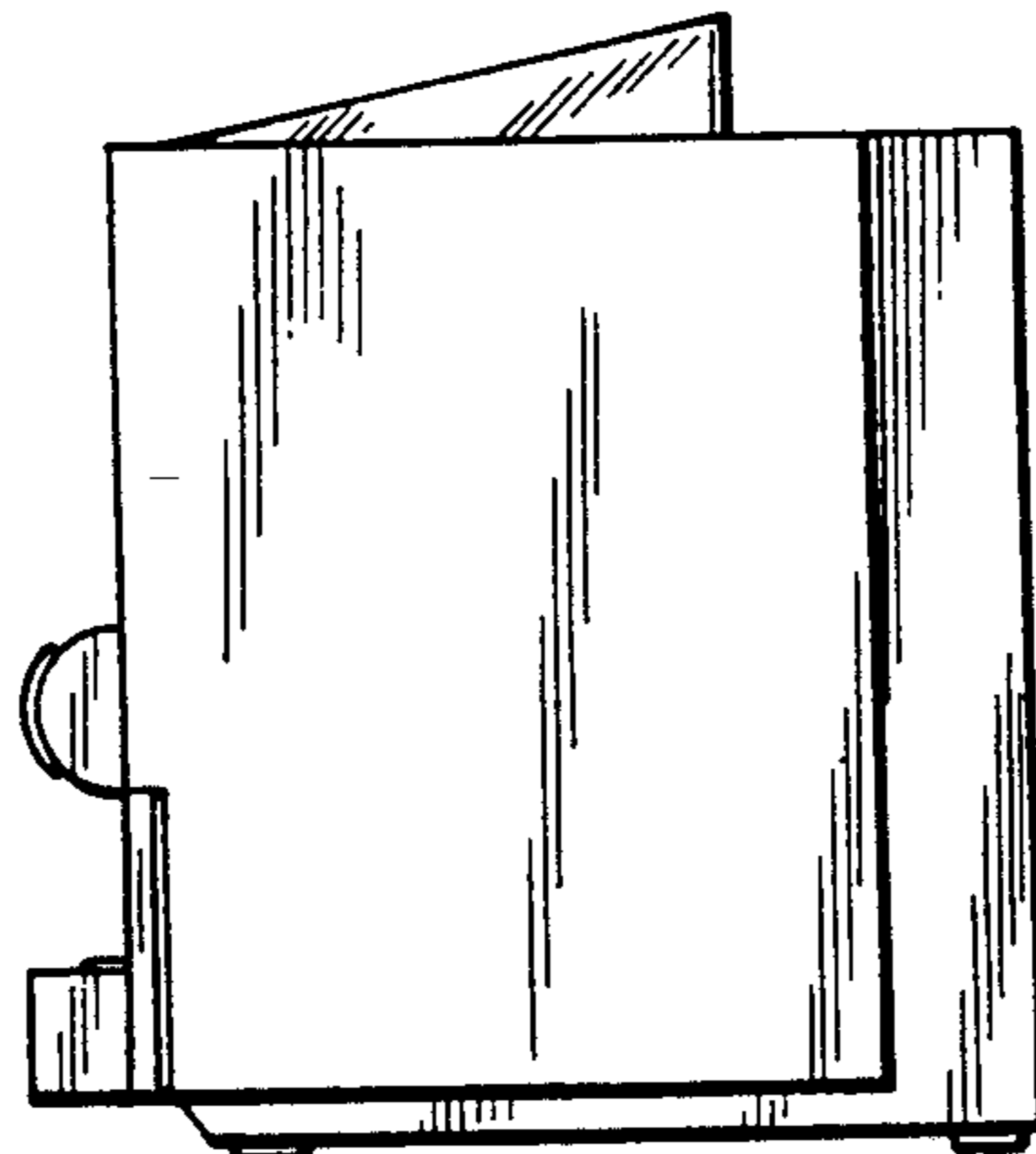
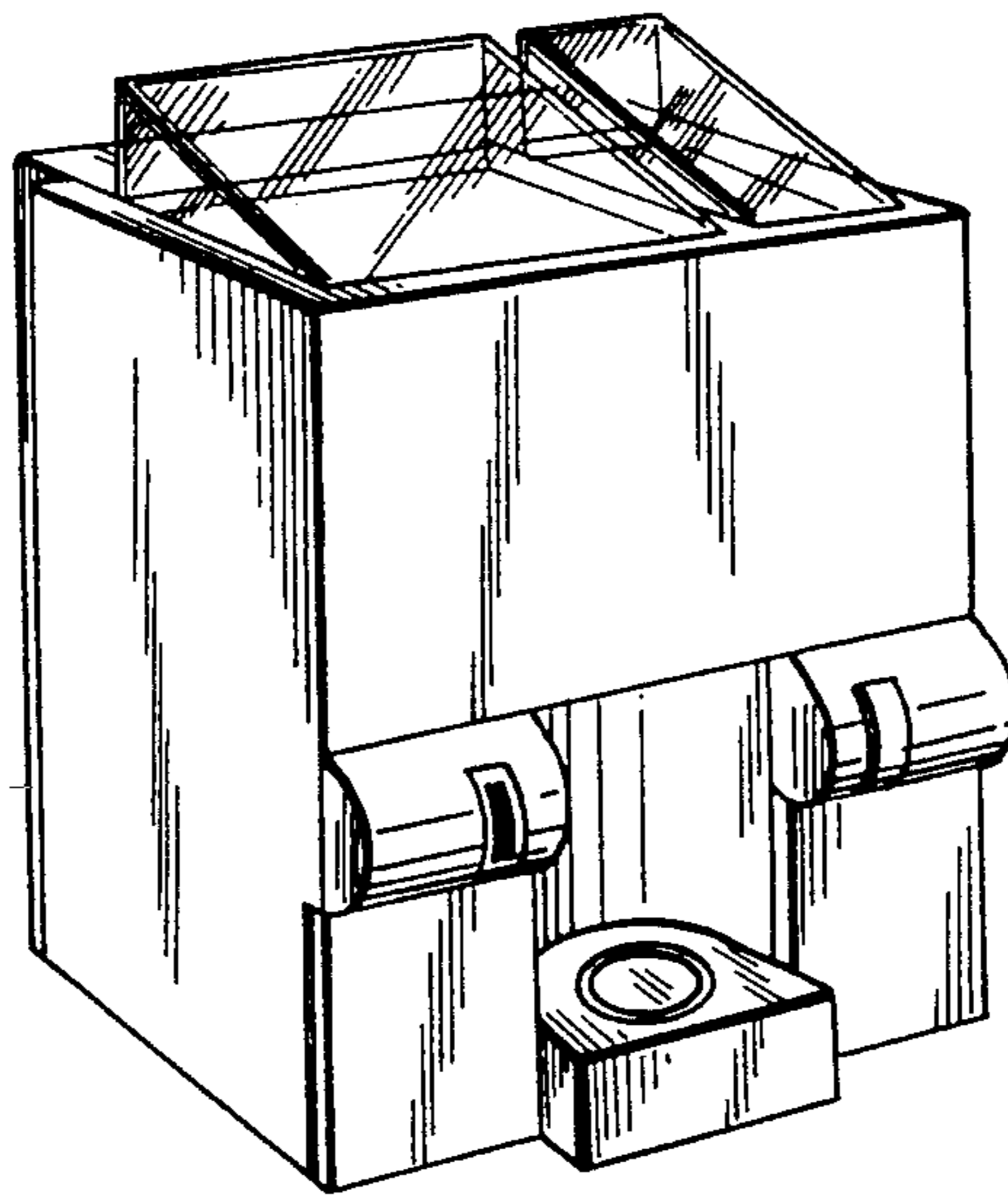
FIG. 1 is a perspective view of the coffee maker showing my new design;
FIG. 2 is a top plan view thereof;
FIG. 3 is a front elevational view thereof;
FIG. 4 is a right side elevational view thereof;
FIG. 5 is a left side elevational view thereof; and
FIG. 6 is a bottom plan view thereof.

Related U.S. Application Data

[62] Division of Ser. No. 257,025, Oct. 12, 1988, Pat. No. Des. 320,525.

[52] U.S. Cl. D7/309; D7/311

[58] Field of Search D7/300, 308, 309, 305-307, D7/310-313; D20/4, 5; 99/279, 295, 288, 304, 306



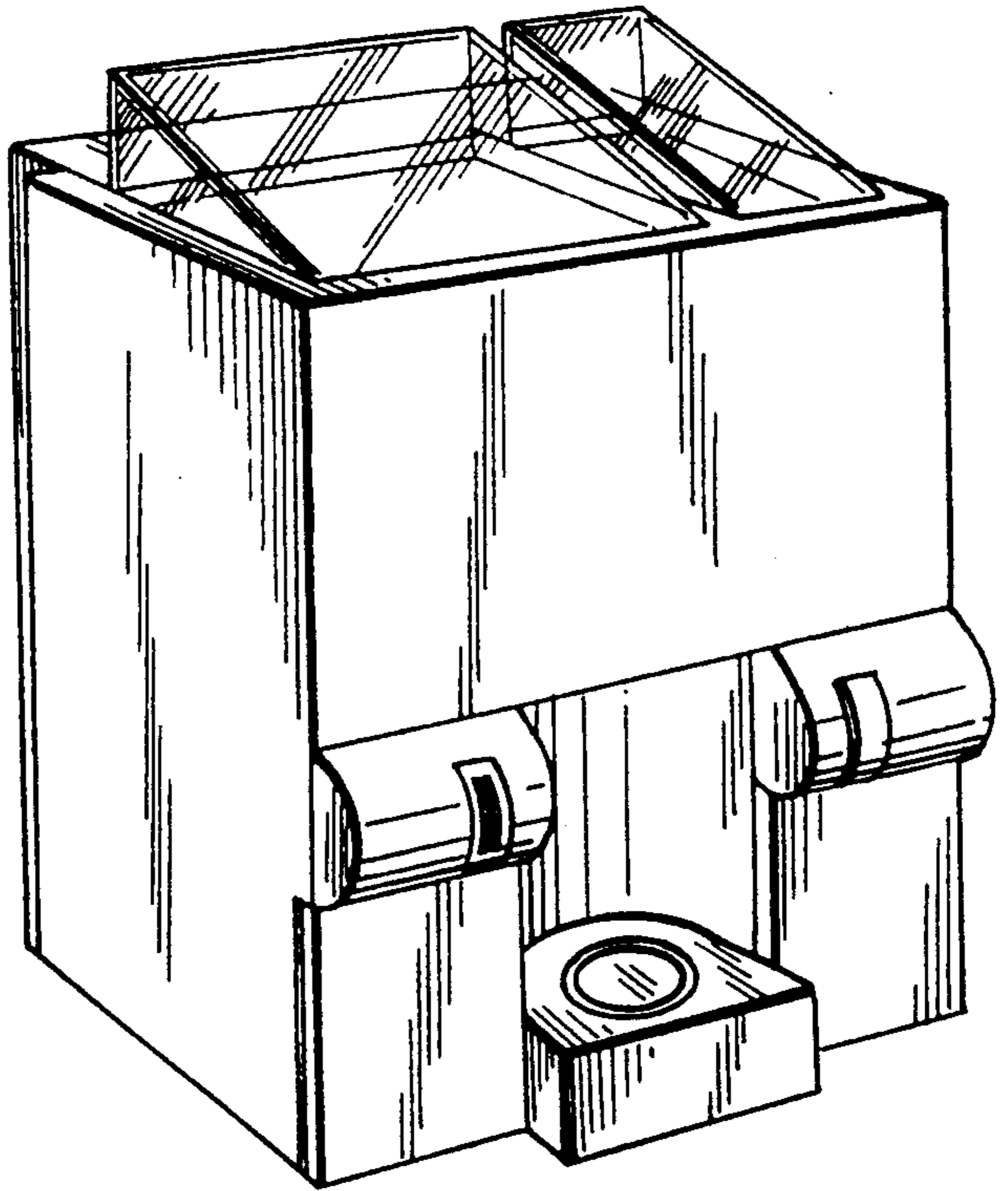


FIG. 1

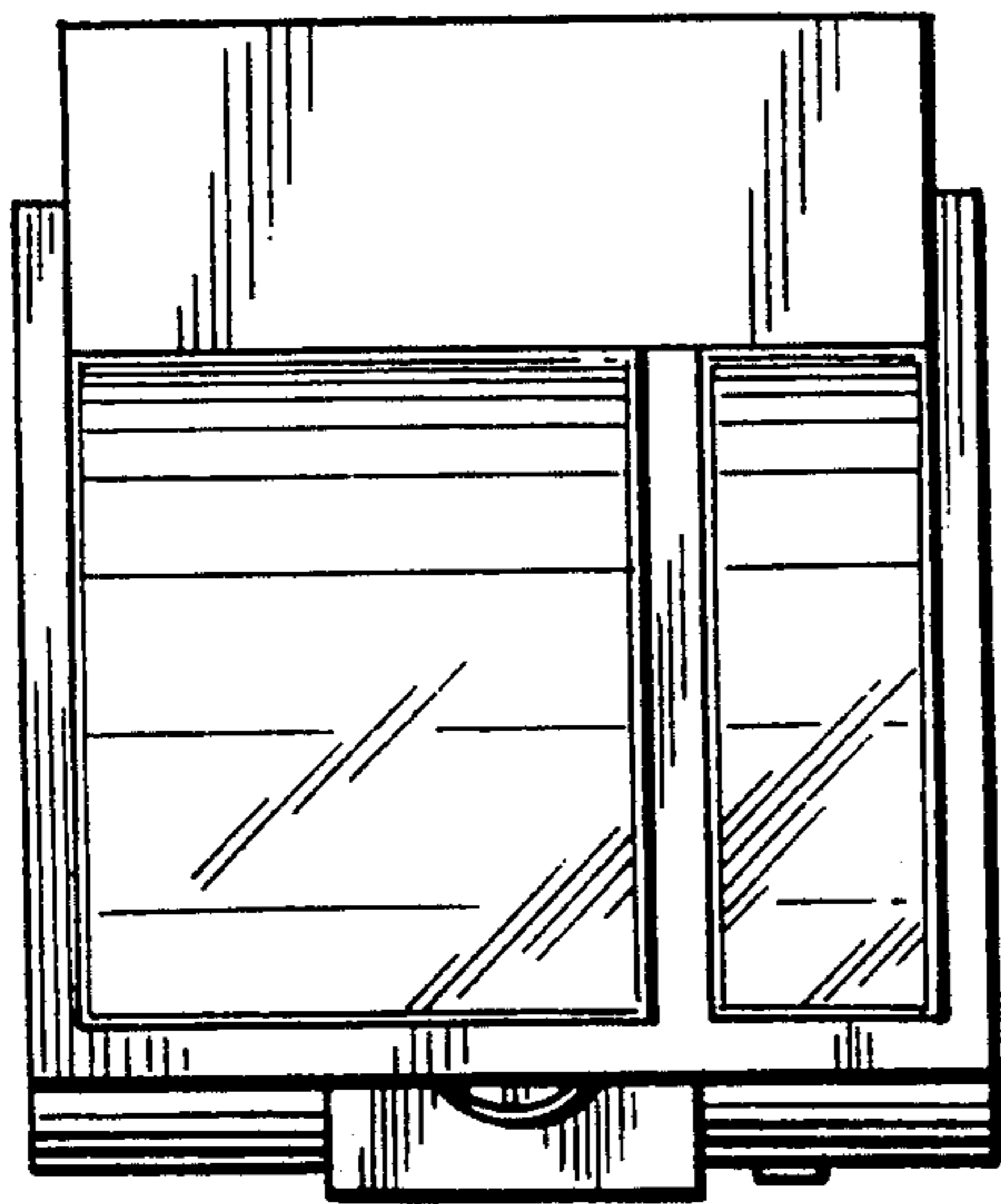


FIG. 2

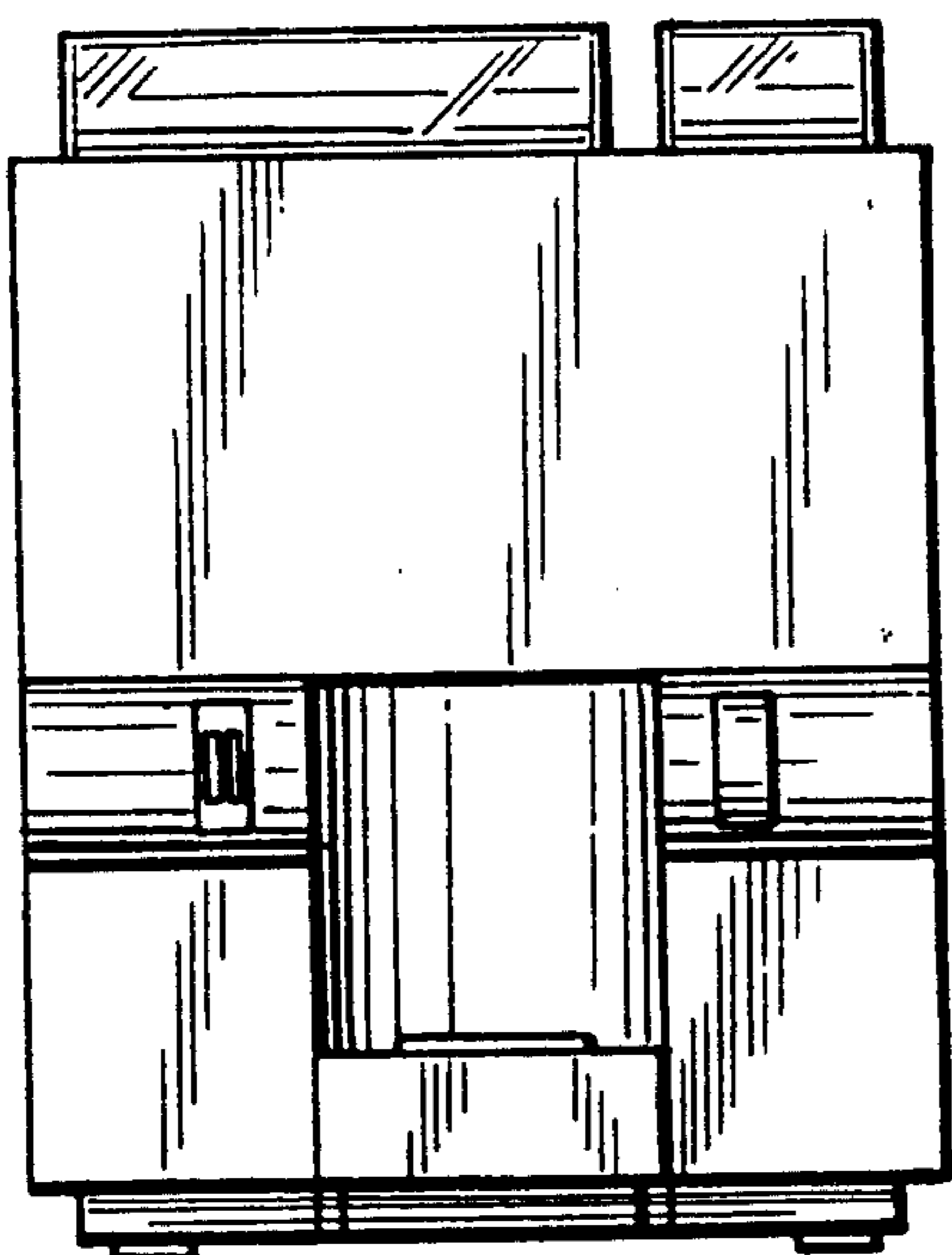


FIG. 3

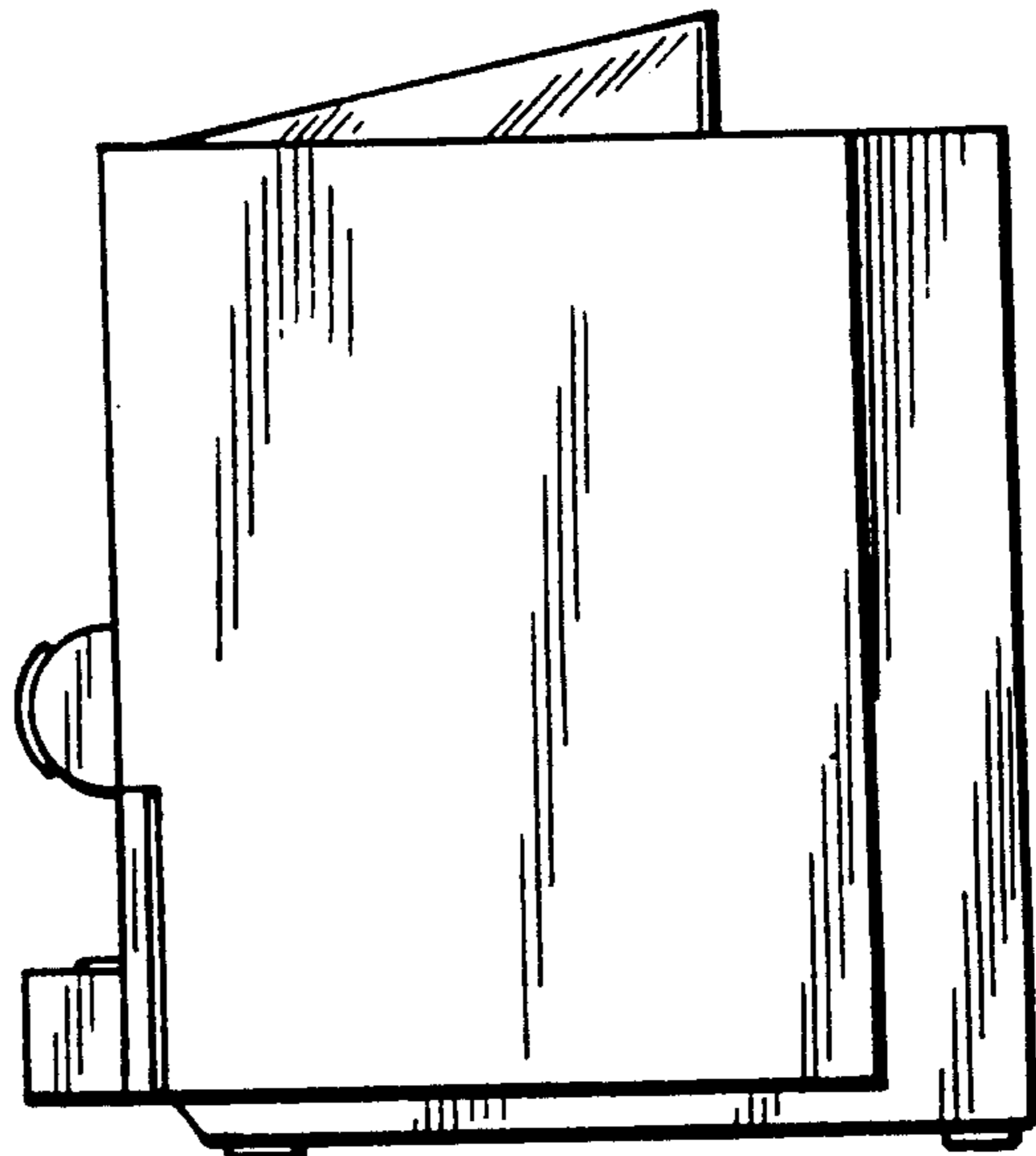


FIG. 4

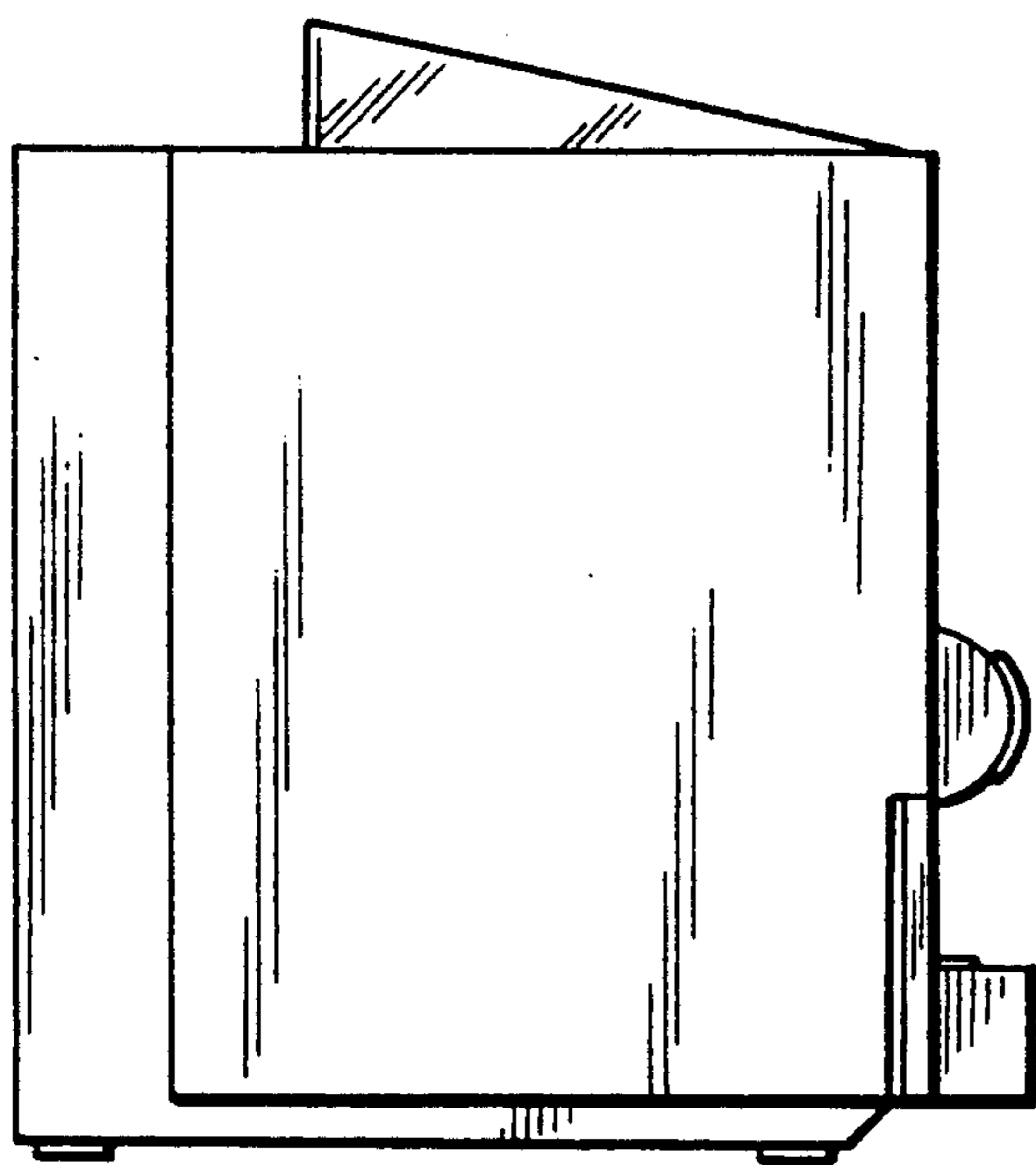


FIG. 5

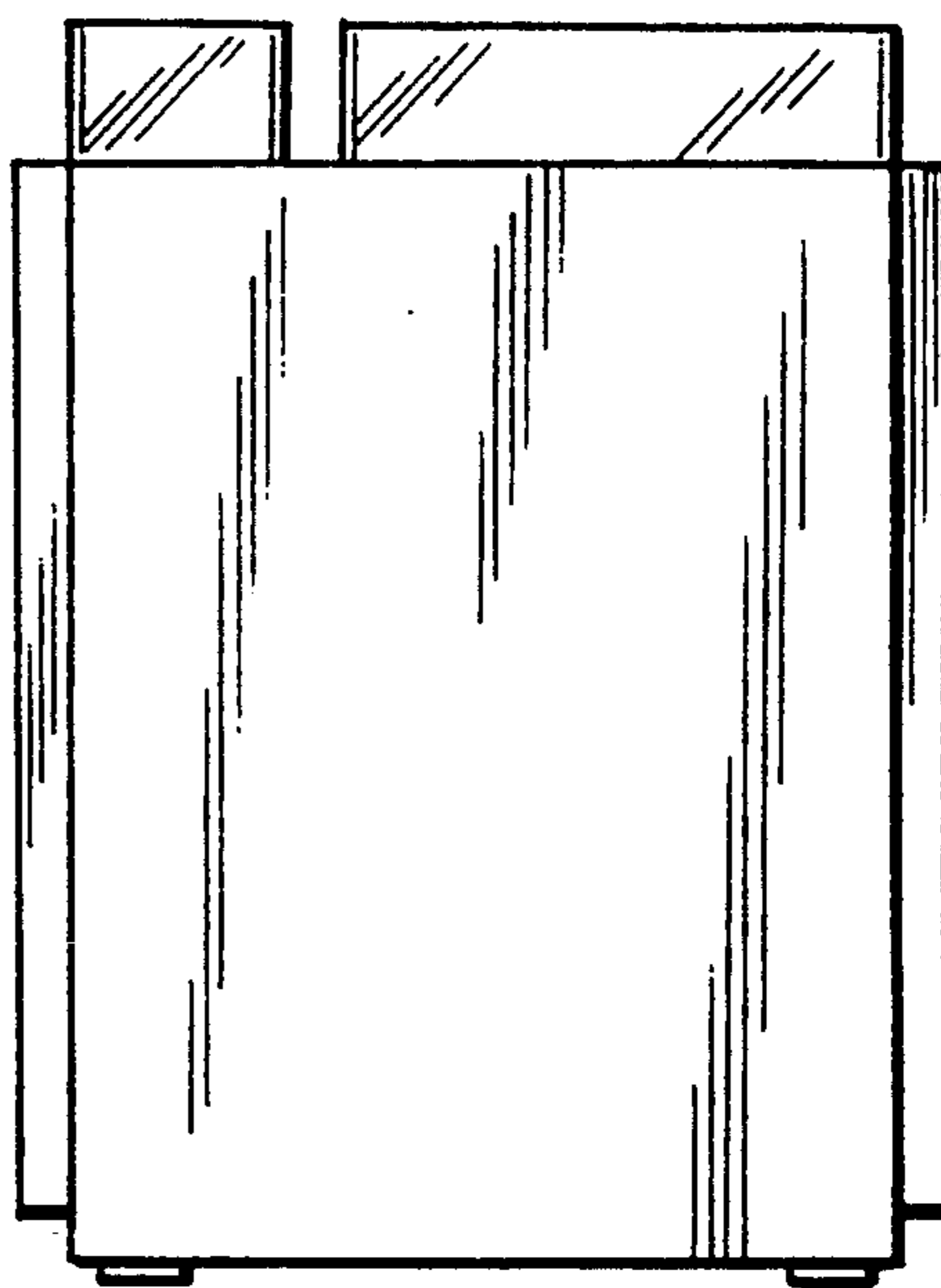


FIG. 6