

[54] TRACK FOR A MOBILE SHELVING SYSTEM

2,809,017 10/1957 Wong D25/119 X

[75] Inventor: Alan R. Leist, Grand Rapids, Mich.

Primary Examiner—Nelson C. Holtje
Assistant Examiner—Janice E. Seeger
Attorney, Agent, or Firm—Warner, Norcross & Judd

[73] Assignee: Pipp Mobile Systems, Inc., Grand Rapids, Mich.

[57] CLAIM

[**] Term: 14 Years

The ornamental design for a track for a mobile shelving system, shown and described.

[21] Appl. No.: 161,835

DESCRIPTION

[22] Filed: Feb. 29, 1988

[52] U.S. Cl. D6/491; D25/119

FIG. 1 is a perspective view of a track for a mobile shelving system, showing my new design, shown broken away to indicate indeterminate length;

[58] Field of Search D6/491, 495, 496, 498, D6/499; D25/119, 121, 123, 136

FIG. 2 is a fragmentary top plan view thereof;

[56] References Cited

U.S. PATENT DOCUMENTS

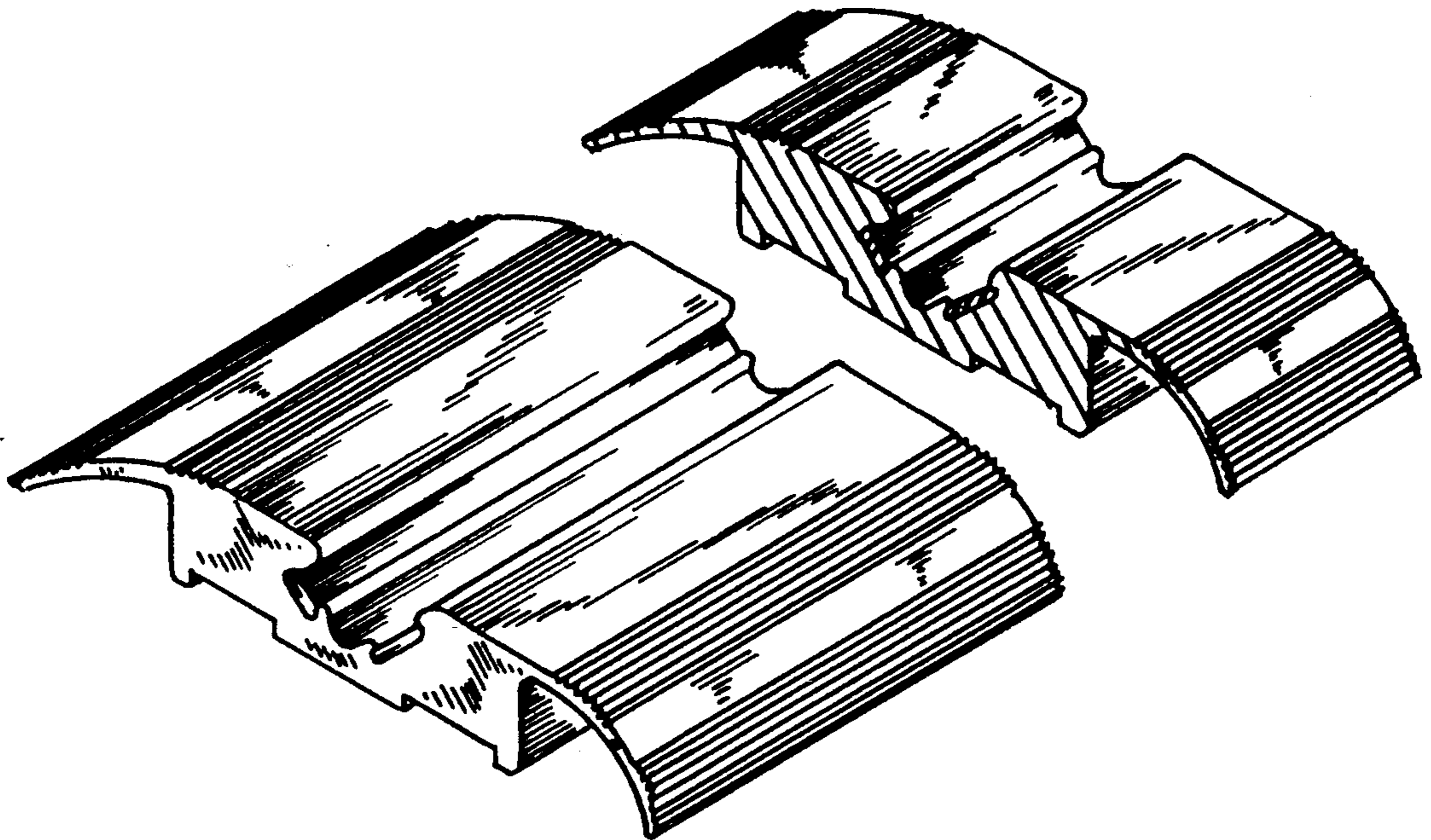
- D. 249,965 10/1978 Cooper D25/125
- D. 301,304 5/1989 Will D25/119
- 2,116,846 5/1938 Pilcher D25/121 X
- 2,794,220 6/1957 Libman D25/121 X

FIG. 3 is an end elevational view thereof, the opposite end being identical thereto;

FIG. 4 is a fragmentary front elevational view thereof;

FIG. 5 is a fragmentary rear elevational view thereof; and

FIG. 6 is a fragmentary bottom plan view thereof.



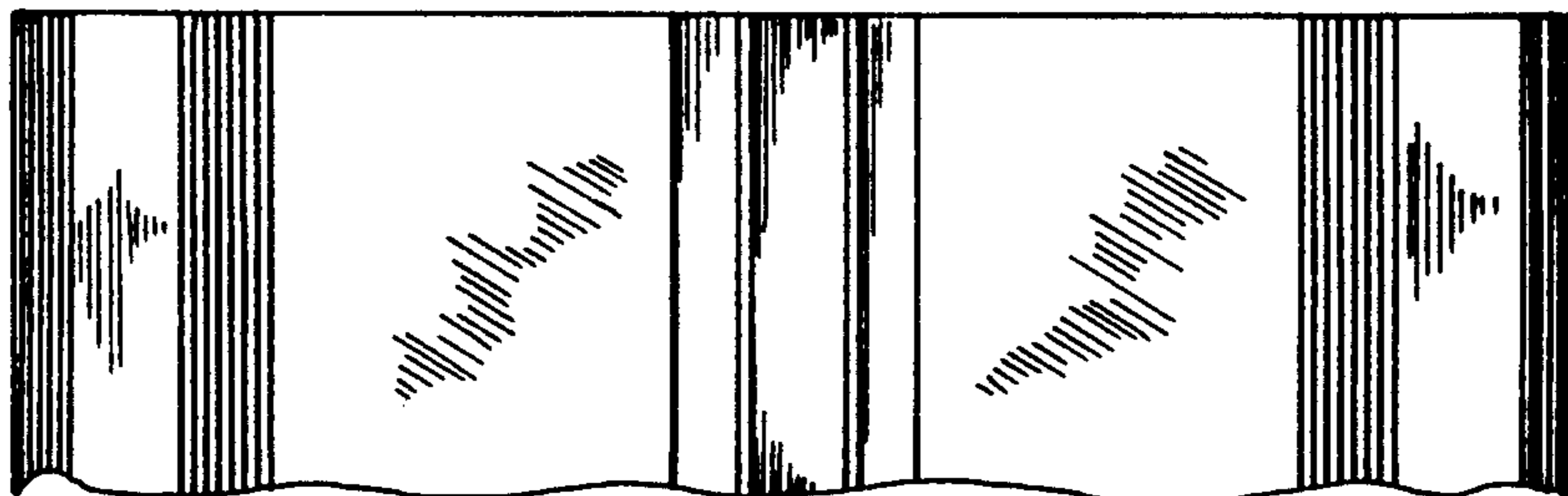


FIG. 2



FIG. 4

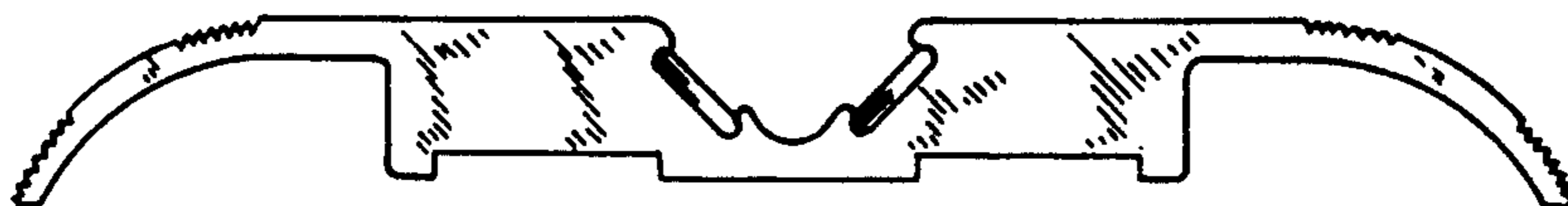


FIG. 3



FIG. 5

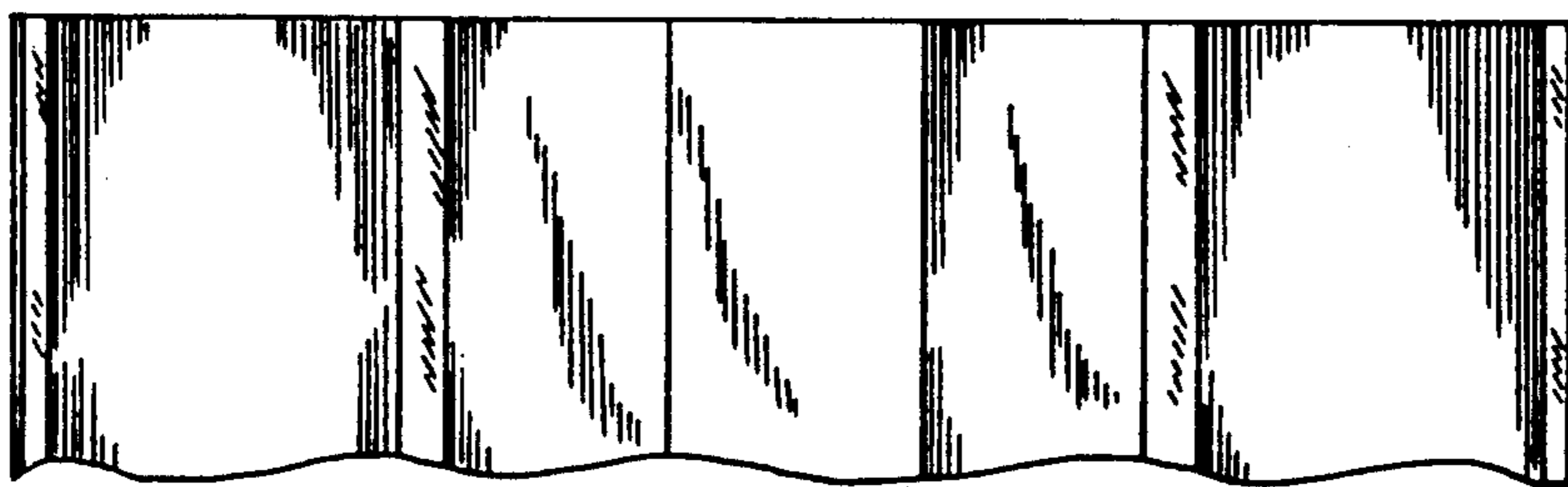


FIG. 6

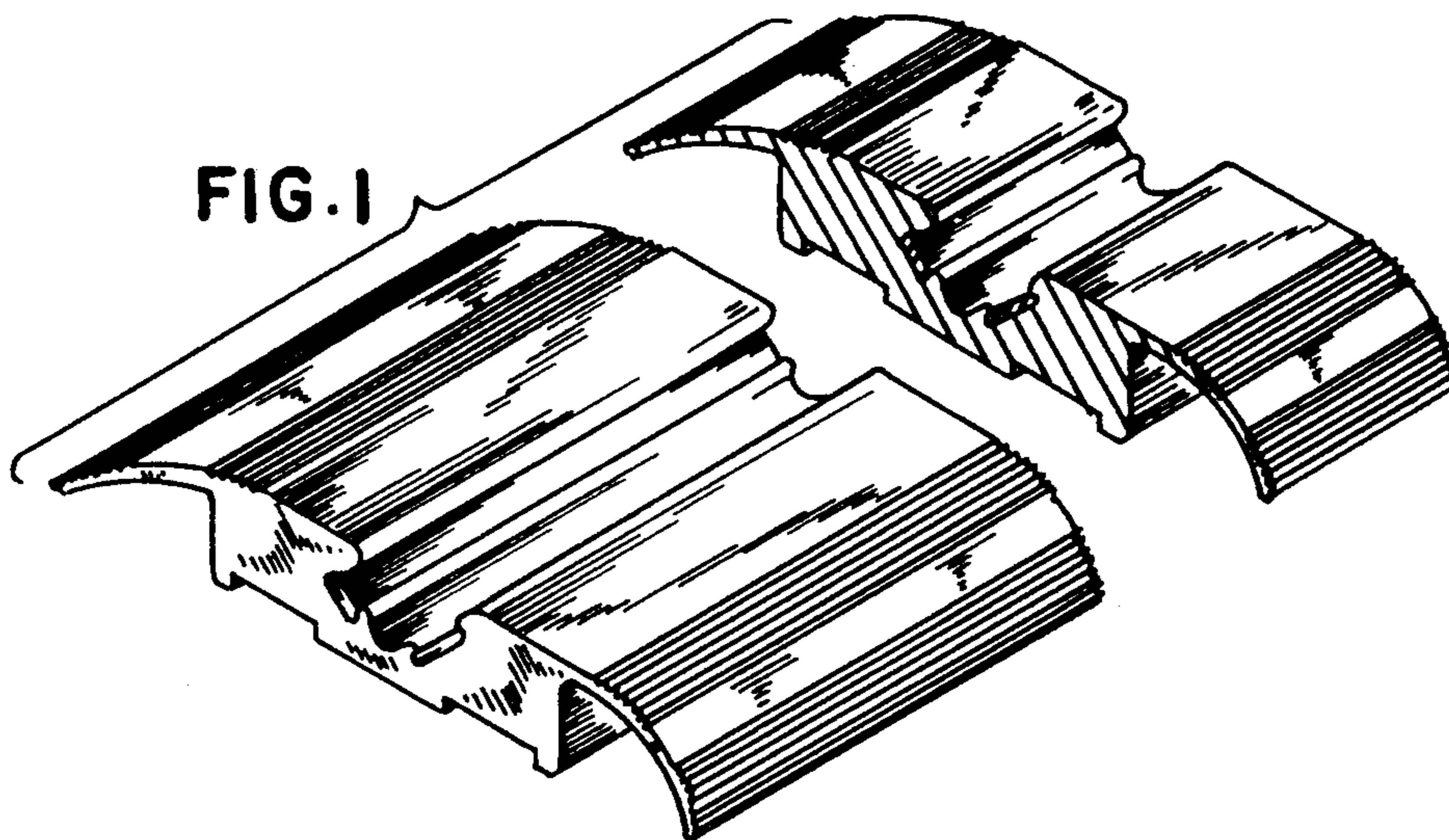


FIG. 1