

[54] BLANKET RACK

[75] Inventor: Peter M. Yau Kee, Happy Valley, Hong Kong

[73] Assignee: Rosalco, Inc., Jeffersonville, Ind.

[\*] Notice: The portion of the term of this patent subsequent to Mar. 26, 2005 has been disclaimed.

[\*\*] Term: 14 Years

[21] Appl. No.: 471,363

[22] Filed: Jan. 26, 1990

Related U.S. Application Data

[62] Division of Ser. No. 295,474, Jan. 10, 1989, Pat. No. Des. 309,063.

[52] U.S. Cl. .... D6/410; D6/464

[58] Field of Search ..... D6/410, 411, 449, 462, D6/464, 465, 477, 479; 211/181, 182, 187

[56] References Cited

U.S. PATENT DOCUMENTS

D. 91,026	11/1933	Guild .....	D6/410
D. 142,304	8/1945	Marchand .....	D6/410
D. 204,847	5/1966	Hill .....	D6/410
D. 234,016	12/1974	Smilowitz .....	D6/410
D. 263,436	3/1982	Greenwold .....	D6/410

OTHER PUBLICATIONS

Beagle Manufacturing Co. Inc., catalog, p. 25, #6096.  
Best Catalog 1985/86, p. 233, item 17.  
Furniture/Today, Apr. 18, 1988, far right.

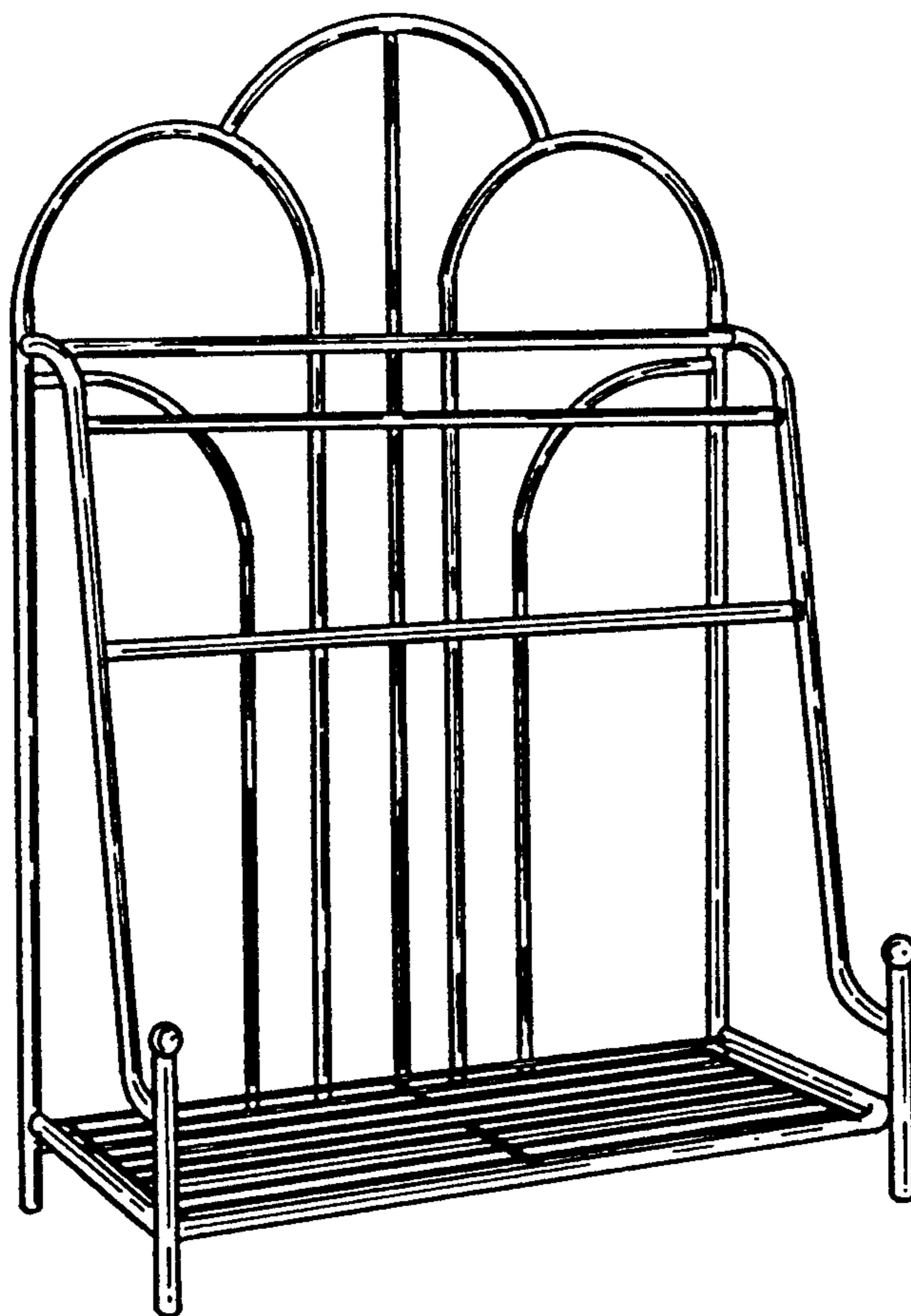
Primary Examiner—Bruce W. Dunkins  
Assistant Examiner—Jeffrey Asch  
Attorney, Agent, or Firm—Rhodes, Coats & Bennett

[57] CLAIM

The ornamental design for a blanket rack, as shown and described.

DESCRIPTION

FIG. 1 is a front perspective view of a blanket rack showing my new design;  
FIG. 2 is a rear perspective view of the blanket rack of FIG. 1; and  
FIG. 3 is a front elevational view of the blanket rack of FIG. 1.



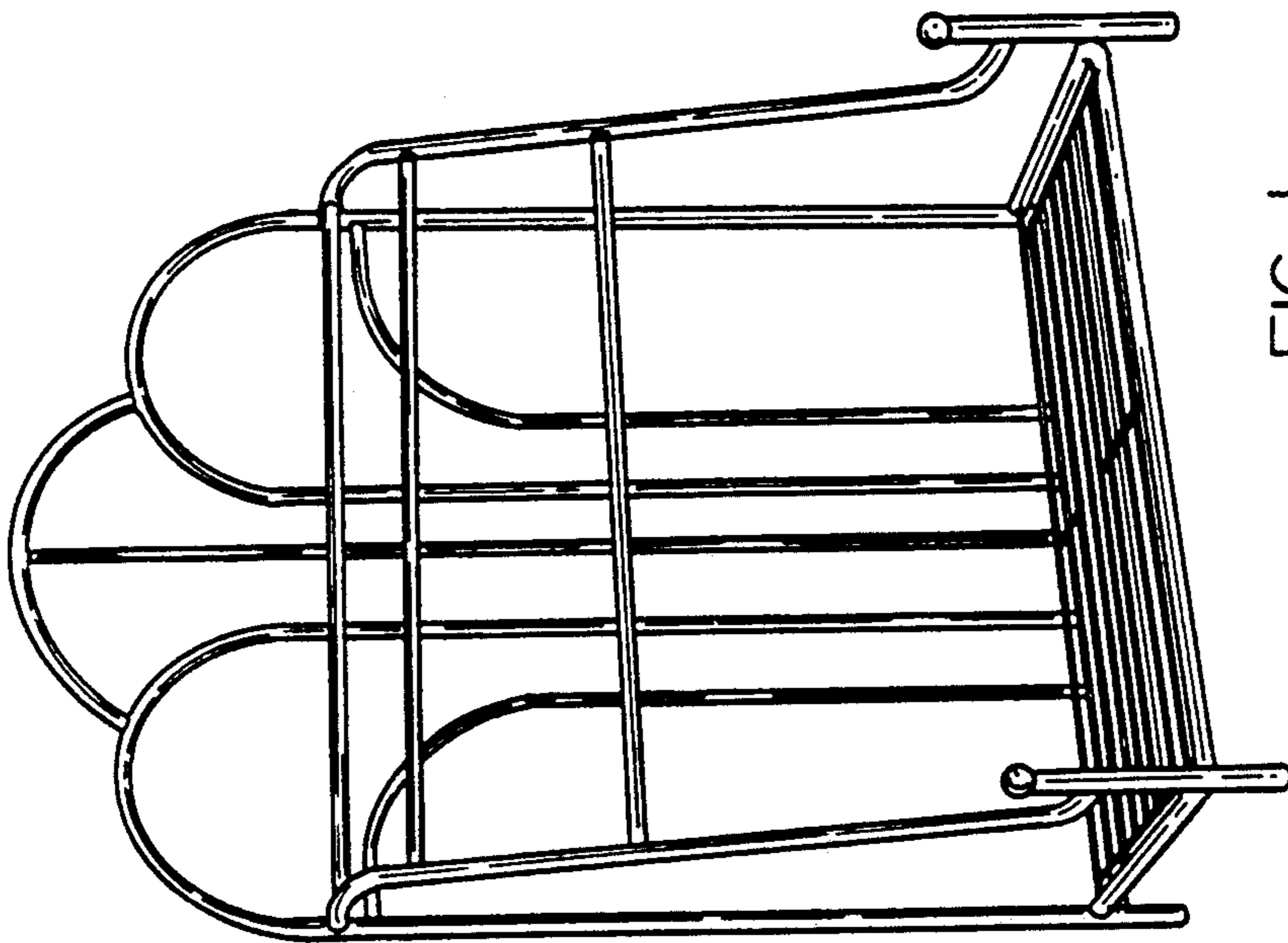


FIG. 1

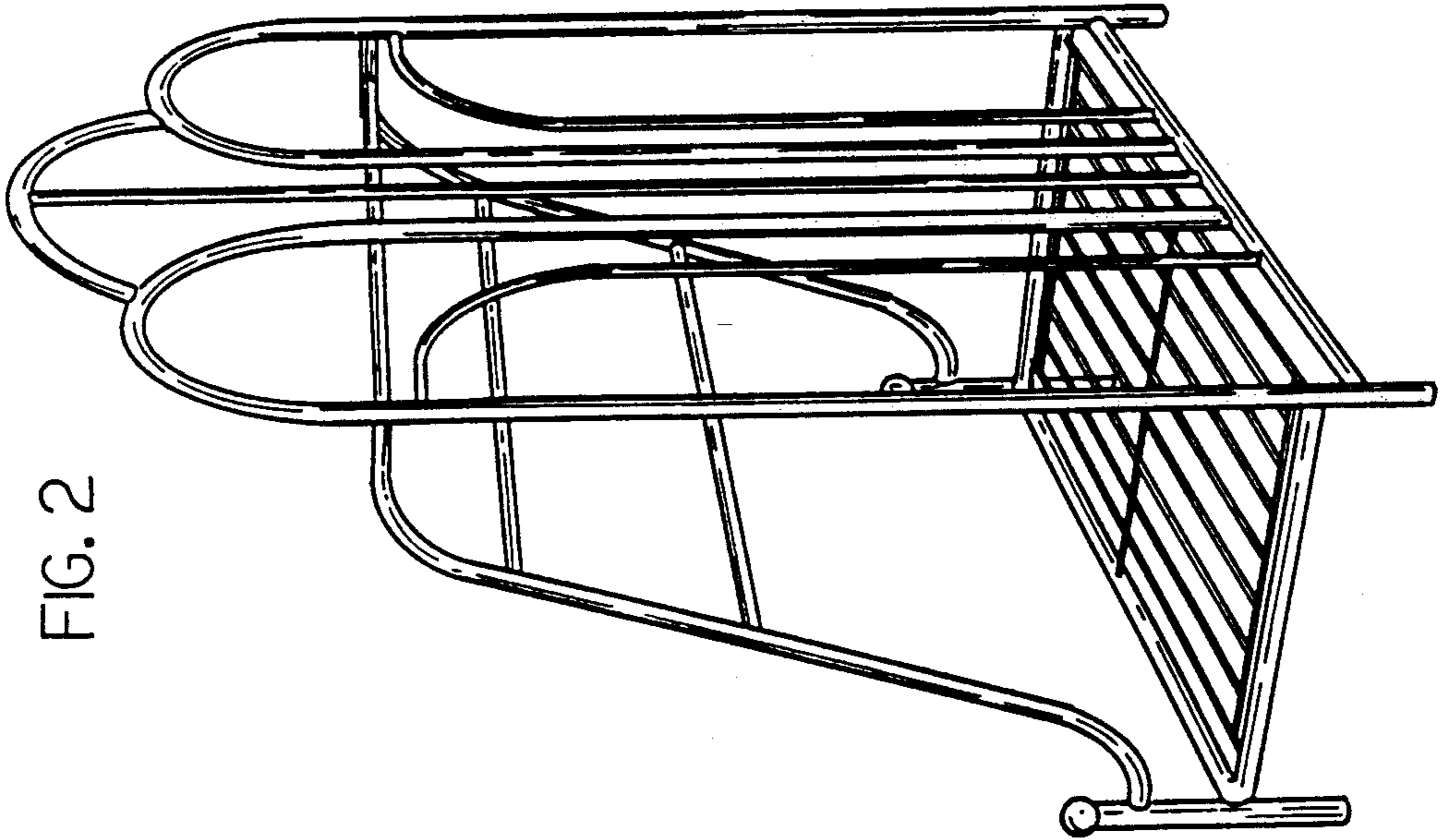


FIG. 2

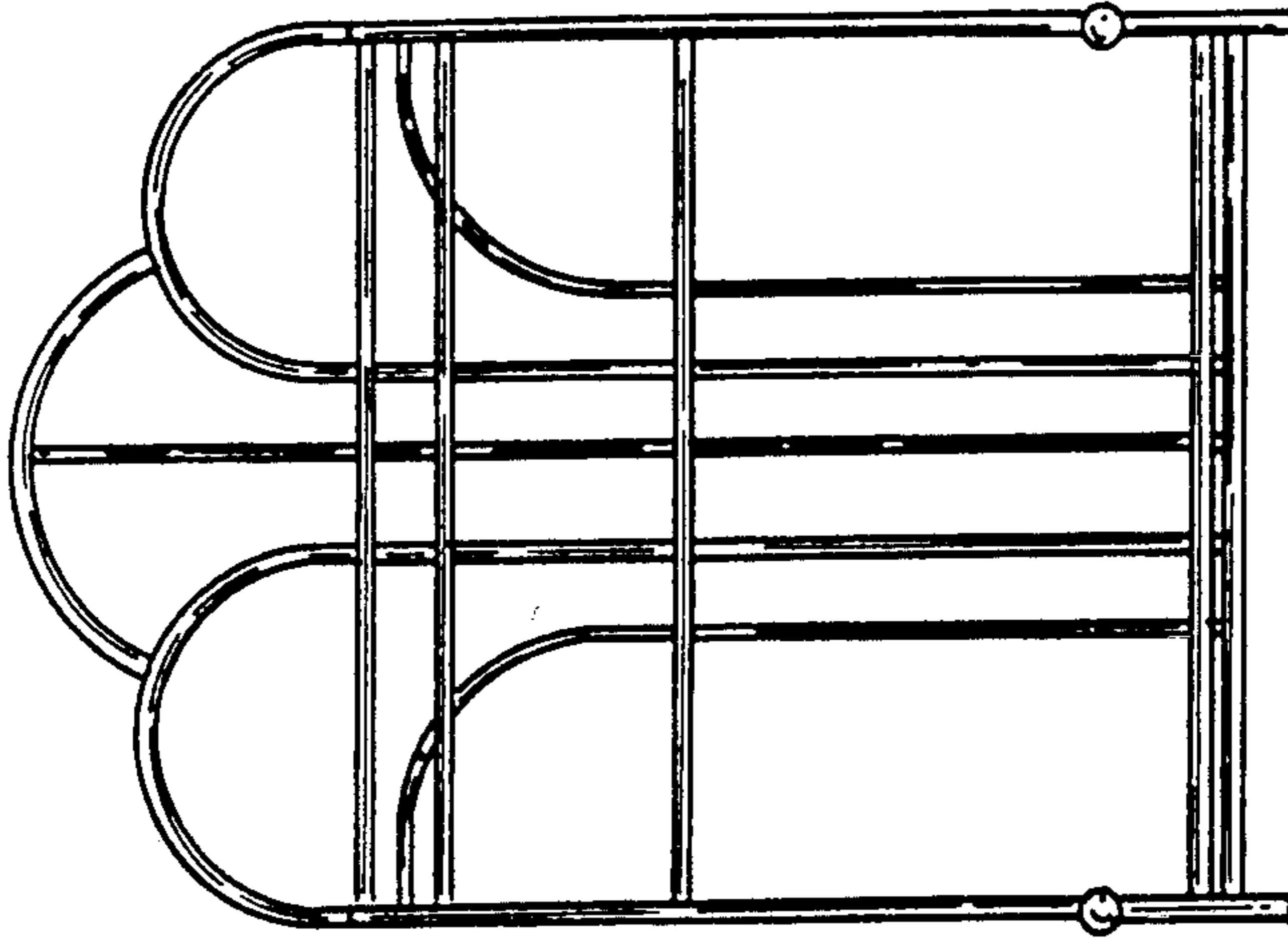


FIG. 3