

[54] CHAISE LOUNGE

[75] Inventors: George M. Kinard, Menominee, Mich.; James R. Tress, Marinette, Wis.

[73] Assignee: Flanders Industries, Inc., Fort Smith, Ark.

[**] Term: 14 Years

[21] Appl. No.: 278,428

[22] Filed: Dec. 1, 1988

[52] U.S. Cl. D6/369; D6/361

[58] Field of Search D6/334, 348, 349, 360, D6/361, 369, 500

[56] References Cited

U.S. PATENT DOCUMENTS

D. 272,586 2/1984 Claman D6/361

OTHER PUBLICATIONS

Karpen Furniture, p. 94, Lounge #74856-K2, bottom left.

Karpen Furniture, p. 106, Lounge #73596-K2, bottom right.

Karpen Furniture, p. 113, Lounge #73404-K2, bottom left.

Primary Examiner—Bruce W. Dunkins

Assistant Examiner—Gary D. Watson

Attorney, Agent, or Firm—Haugen and Nikolai

[57] CLAIM

The ornamental design for a chaise lounge, as shown and described.

DESCRIPTION

FIG. 1 is a front perspective view of a chaise lounge showing our new design;

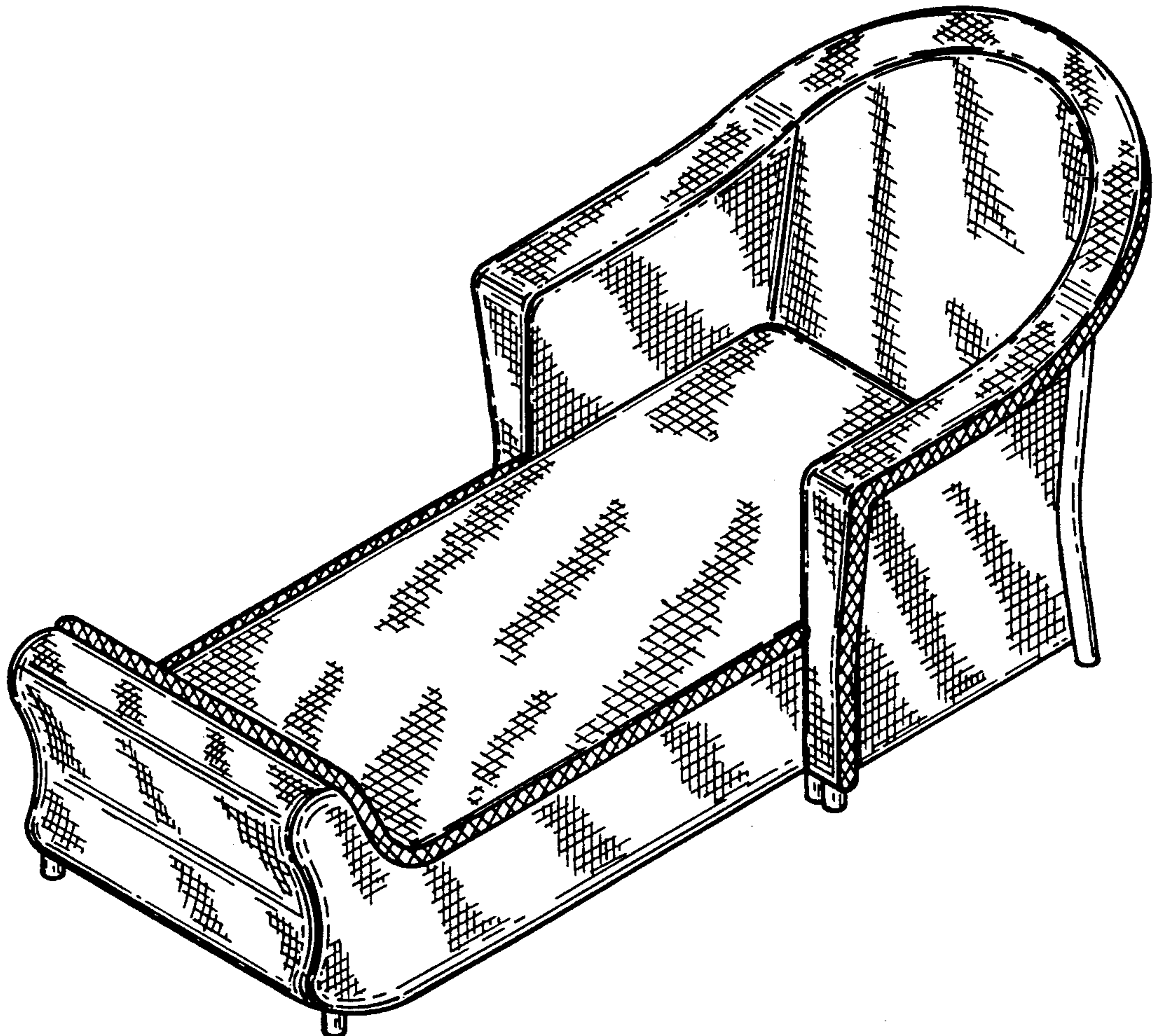
FIG. 2 is a front elevational view;

FIG. 3 is a side elevational view, the opposite side being a mirror image thereof;

FIG. 4 is a rear elevational view; and

FIG. 5 is a top plan view thereof.

FIGS. 2 through 5 have been drawn to a smaller scale with respect to FIG. 1.



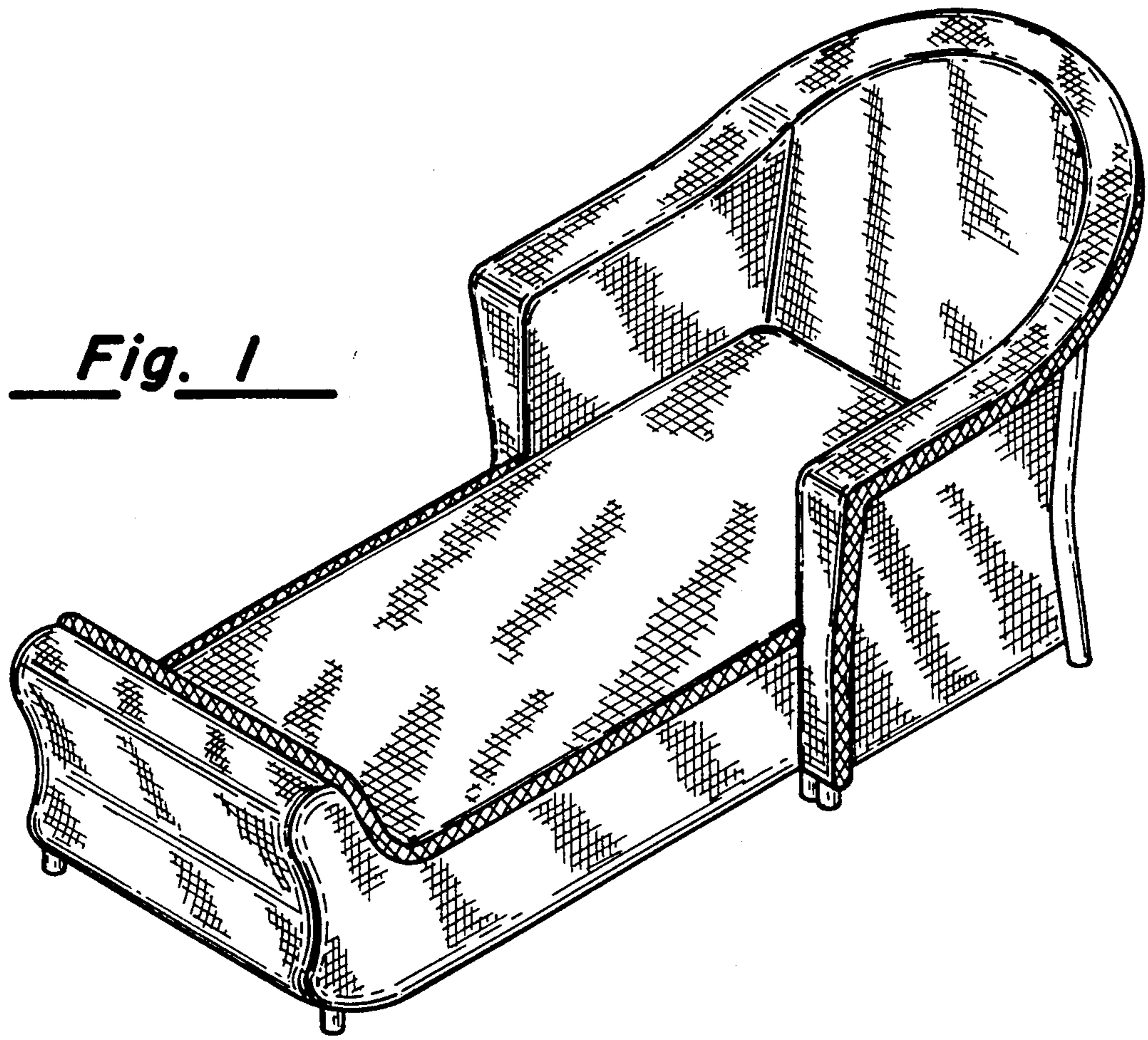


Fig. 1

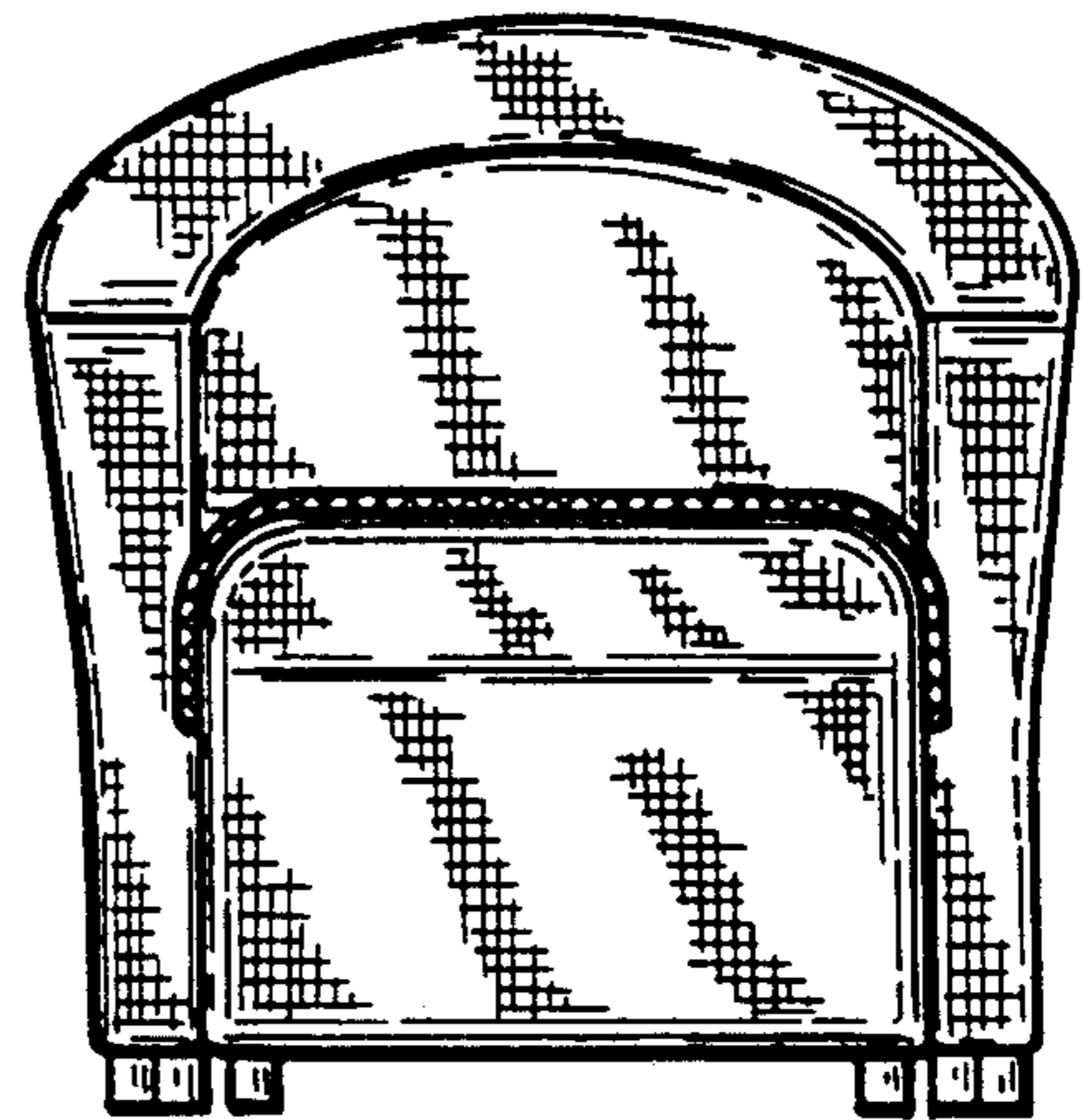


Fig. 2

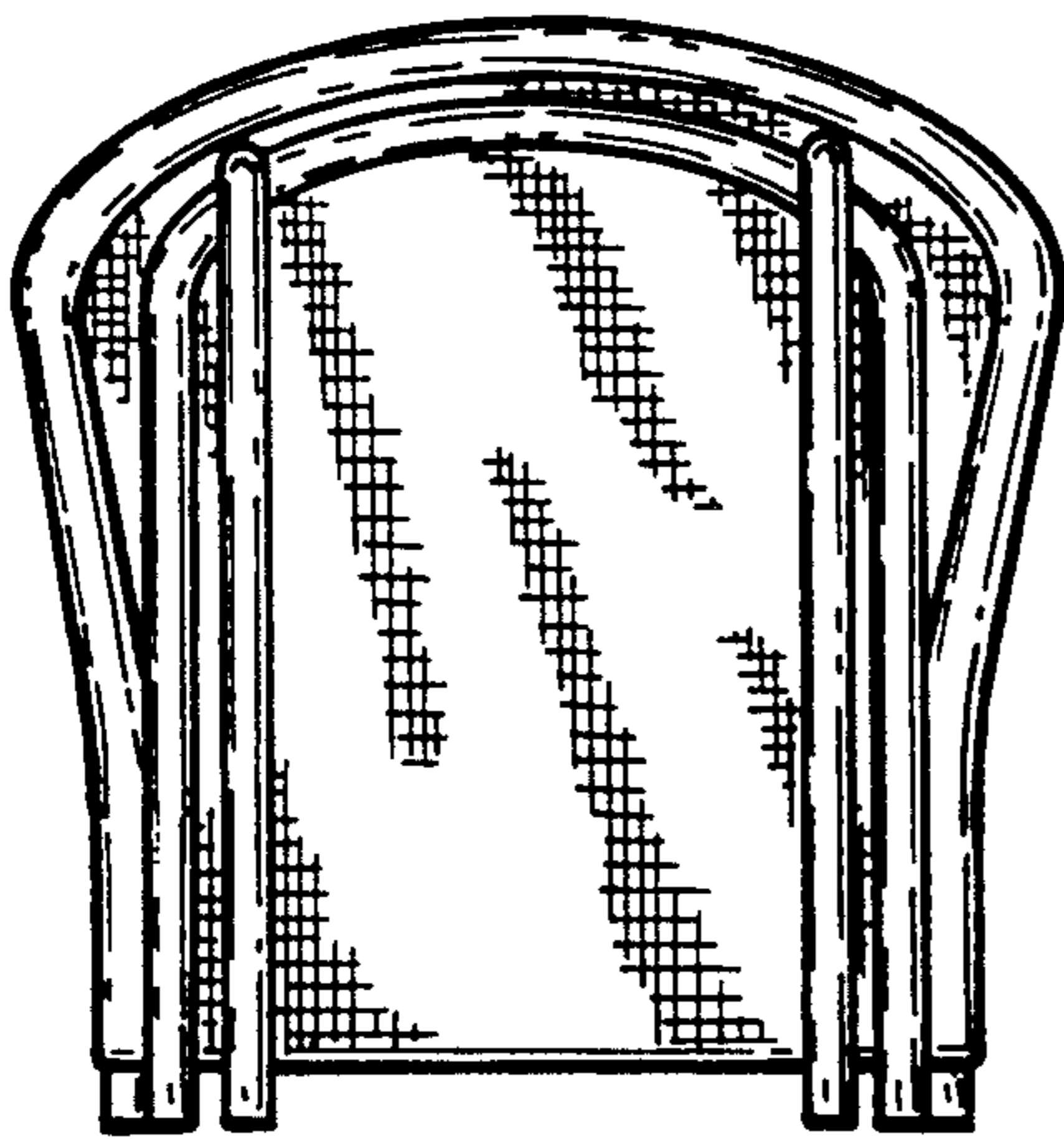


Fig. 4

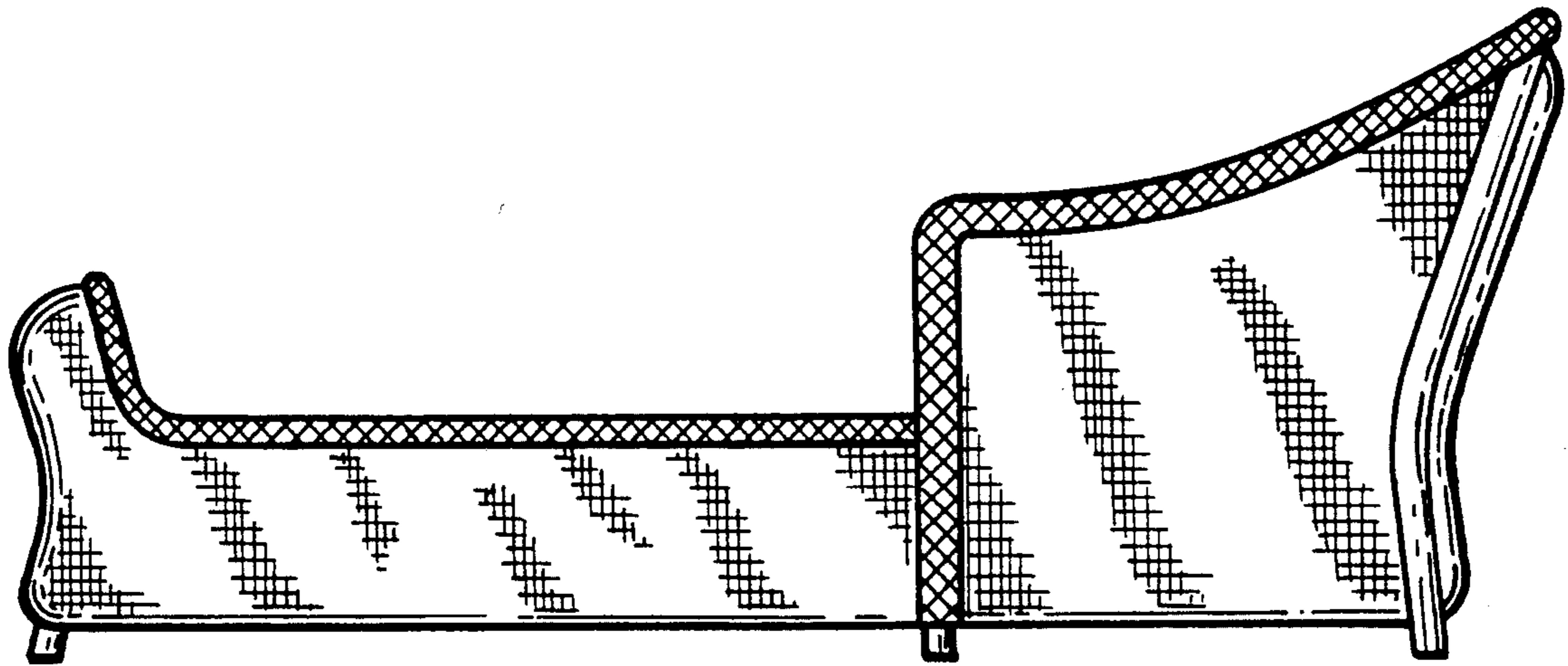


Fig. 3

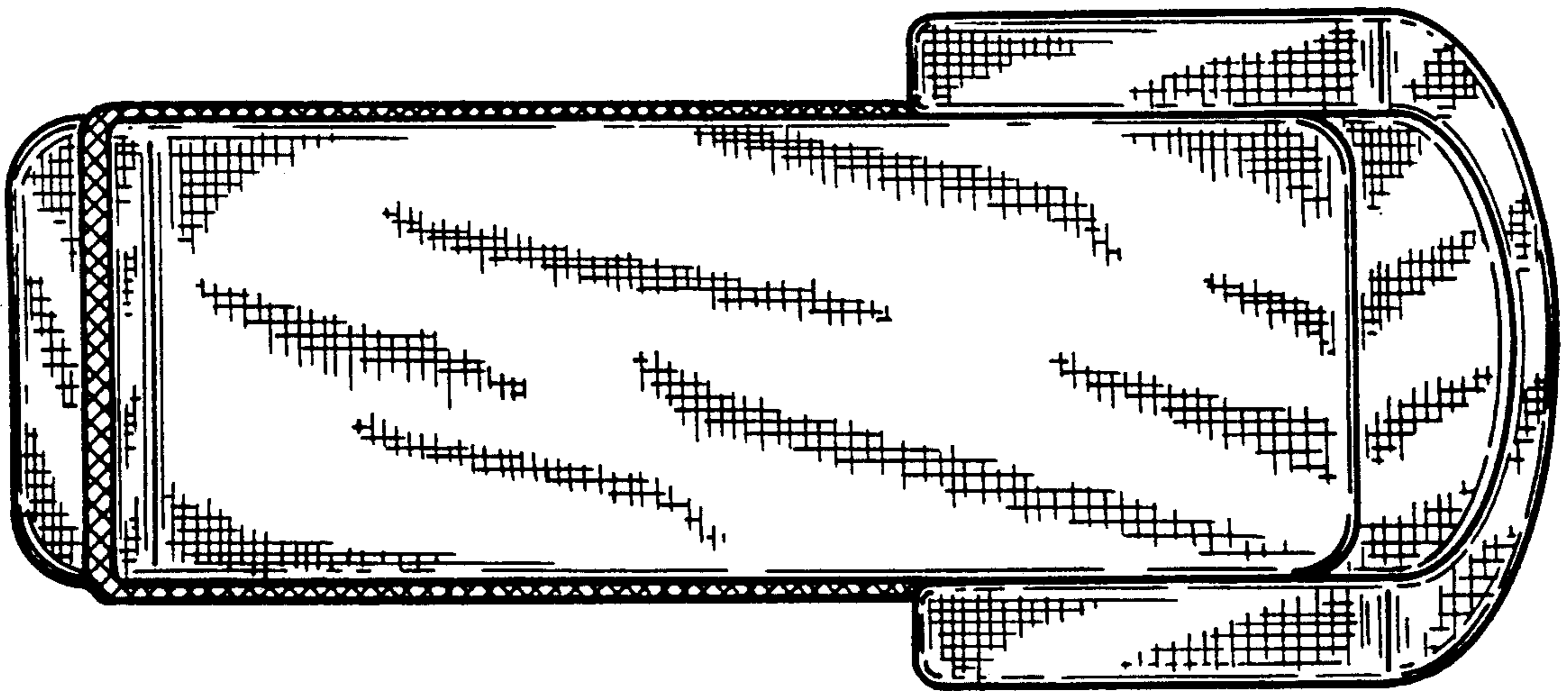


Fig. 5