

[54] CHAISE

[75] Inventor: Richard Frinier, Long Beach, Calif.

[73] Assignee: Brown Jordan Company, El Monte, Calif.

[**] Term: 14 Years

[21] Appl. No.: 221,924

[22] Filed: Jul. 20, 1988

[52] U.S. Cl. D6/361

[58] Field of Search D6/334, 361, 368, 369, D6/370, 379, 499, 500, 501, 502

[56] References Cited

U.S. PATENT DOCUMENTS

- D. 165,058 11/1951 Deutsch D6/361
- D. 219,212 11/1970 Eames D6/361
- D. 290,664 7/1987 Strousse et al. D6/361
- D. 296,499 7/1988 Frinier D6/361
- D. 298,096 10/1988 Kaminski D6/368 X

OTHER PUBLICATIONS

Brown Jordan, 4/1973, p. 39, Chaise pictured bottom right.

Brown Jordan, 1976, p. 29, Chaise pictured bottom left. *Interiors*, 2/1981, p. 21, Lounge at top left.

Primary Examiner—Bruce W. Dunkins

Assistant Examiner—Gary D. Watson

Attorney, Agent, or Firm—Christie, Parker & Hale

[57] CLAIM

The ornamental design for a chaise, as shown and described.

DESCRIPTION

FIG. 1 is a perspective view of a chaise showing my

new design, in which the fabric pattern schematically depicted therein is continuous throughout the seat and backrest elements of the design.

FIG. 2 is a side elevational view of the chaise of FIG. 1, the opposite side being the same;

FIG. 3 is a front elevational view of the chaise of FIG. 1, in which the fabric pattern schematically depicted therein is continuous throughout the seat and backrest elements of the design;

FIG. 4 is a rear elevational view of the chaise of FIG. 1, in which the fabric pattern schematically depicted therein is continuous throughout the seat and backrest elements of the design;

FIG. 5 is a top plan view of the chaise of FIG. 1, in which the fabric pattern schematically depicted therein is continuous throughout the seat and backrest elements;

FIG. 6 is a perspective view of a second embodiment of my new chaise looking toward the front, right side and top;

FIG. 7 is a side elevational view of the chaise of FIG. 6, the opposite side being the same;

FIG. 8 is a front elevational view of the chaise of FIG. 6;

FIG. 9 is a rear elevational view of the chaise of FIG. 6;

FIG. 10 is a top plan view of the chaise of FIG. 6;

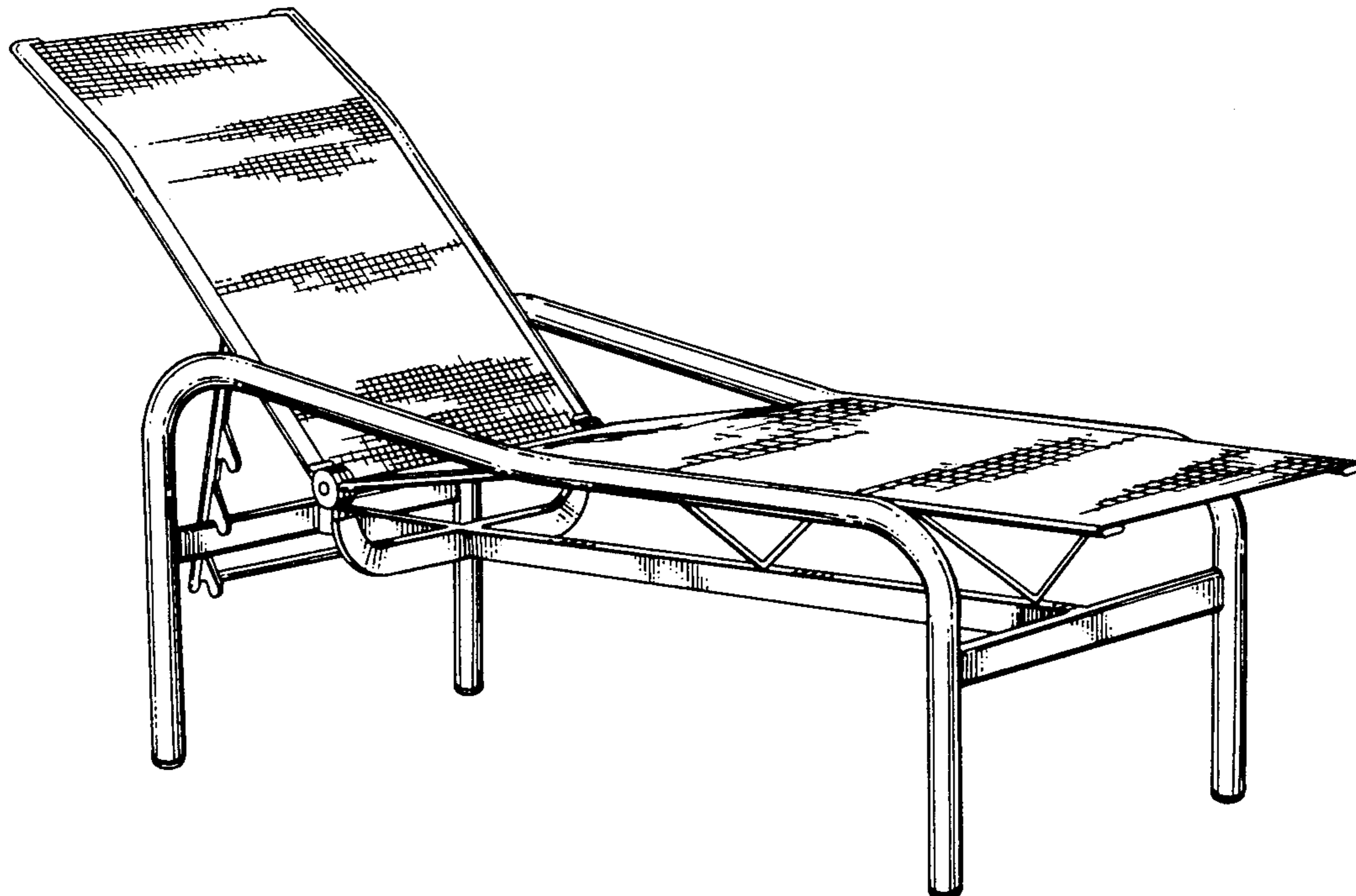
FIG. 11 is a perspective view of a third embodiment of my chaise looking toward the front, right side and top;

FIG. 12 is a side elevational view of the chaise of FIG. 11, the opposite side being the same;

FIG. 13 is a front elevational view of the chaise of FIG. 11;

FIG. 14 is a rear elevational view of the chaise of FIG. 11; and

FIG. 15 is a top plan view of the chaise of FIG. 11.



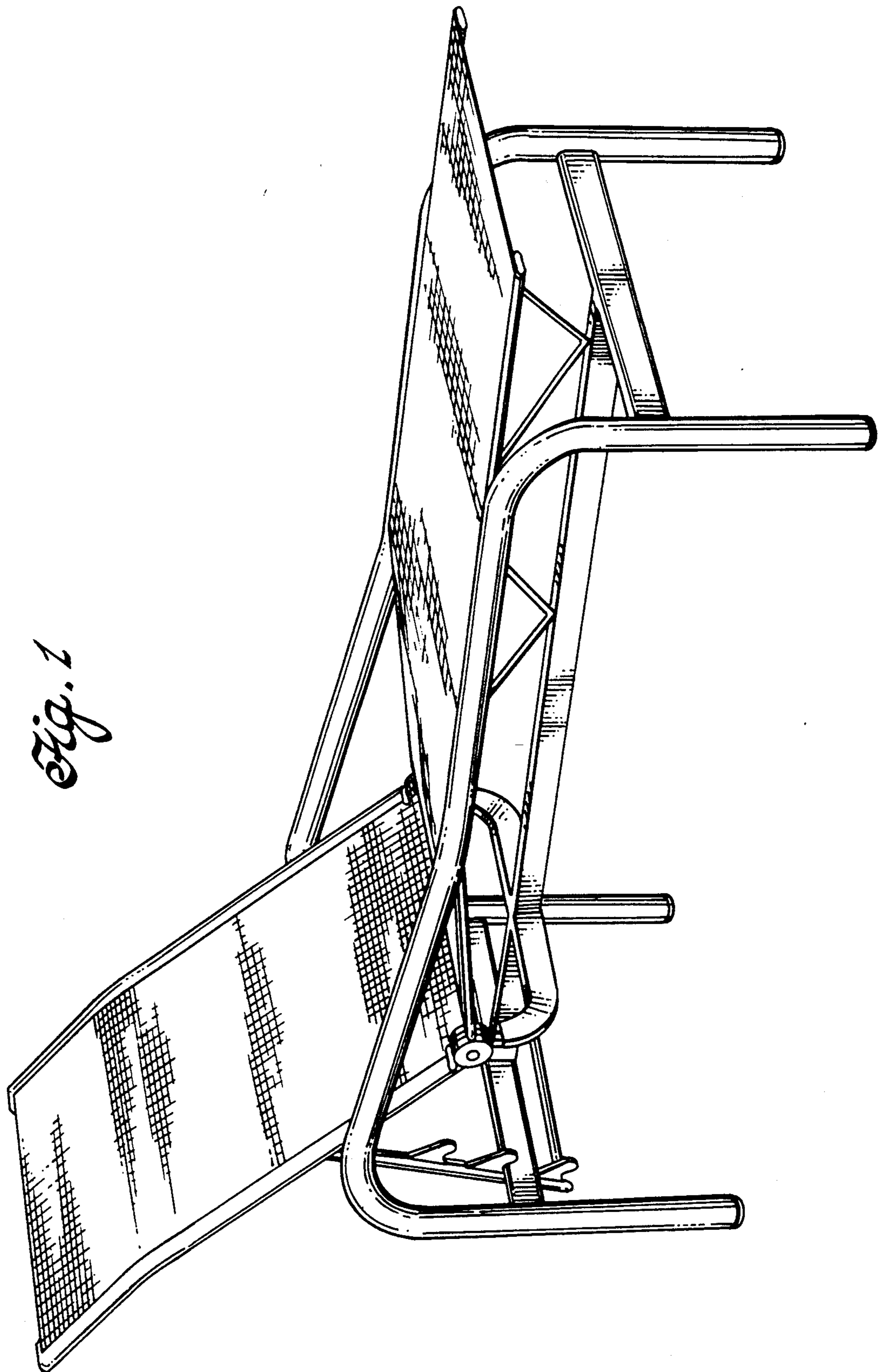


Fig. 1

Fig. 2

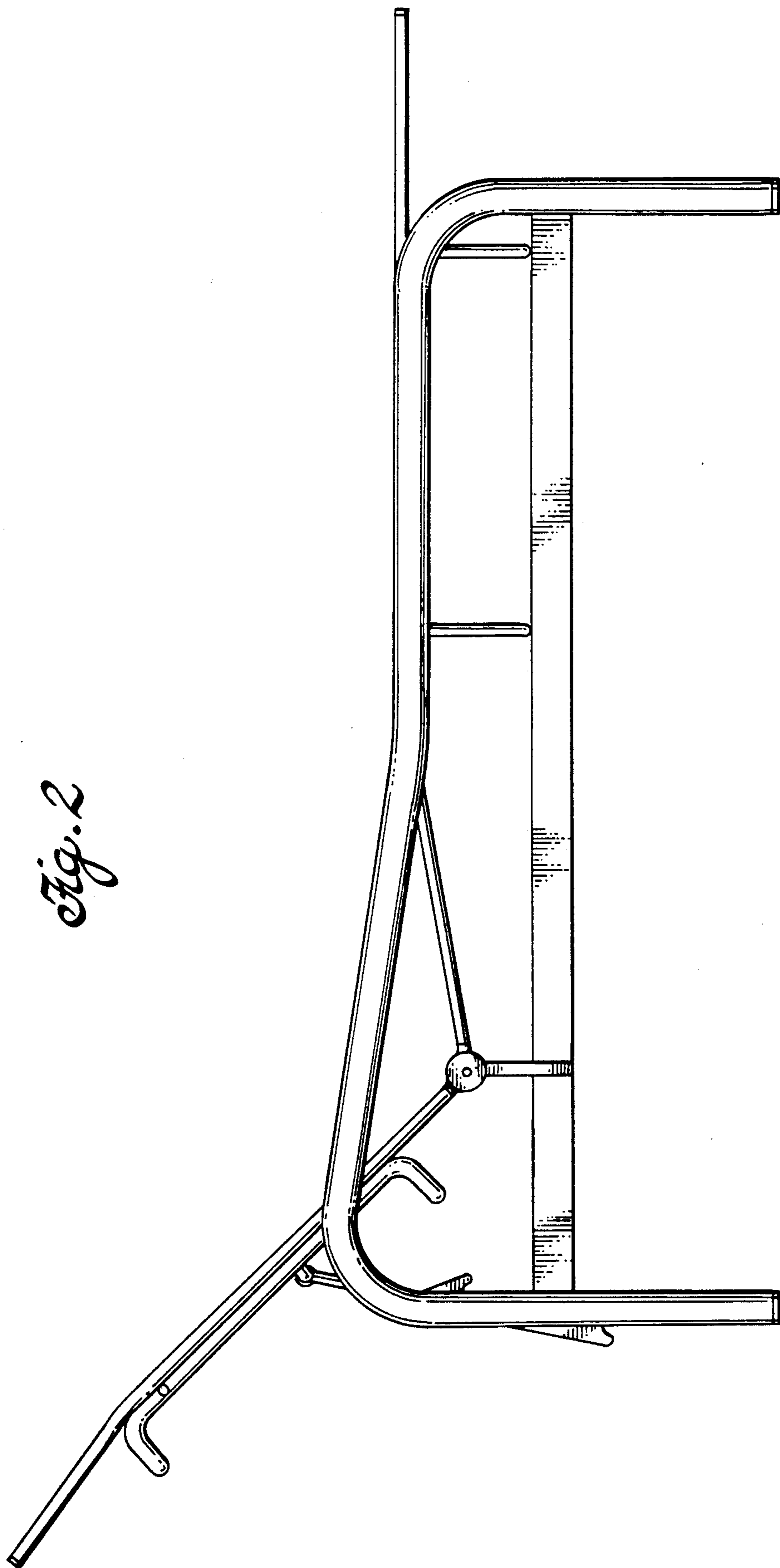


Fig. 4

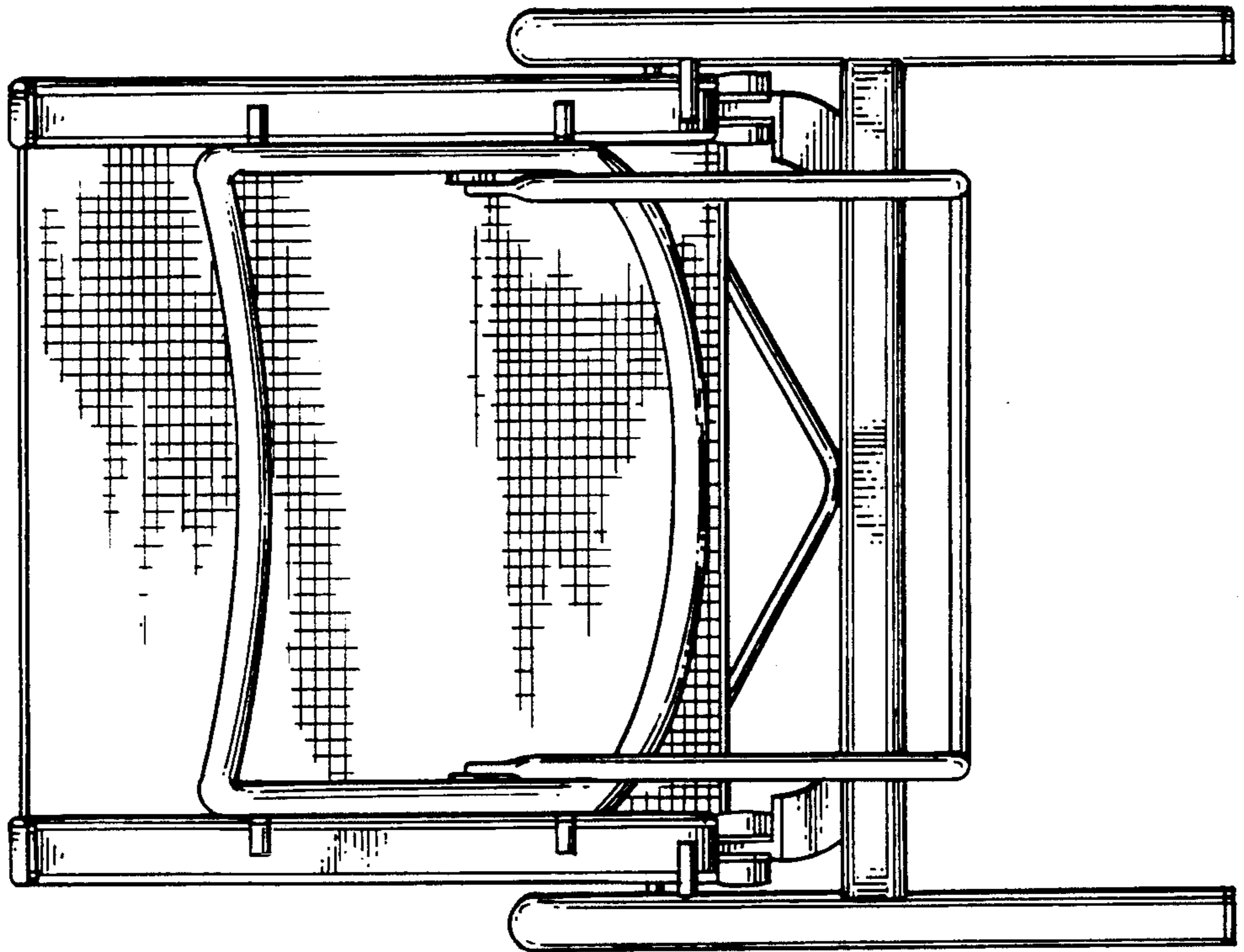


Fig. 3

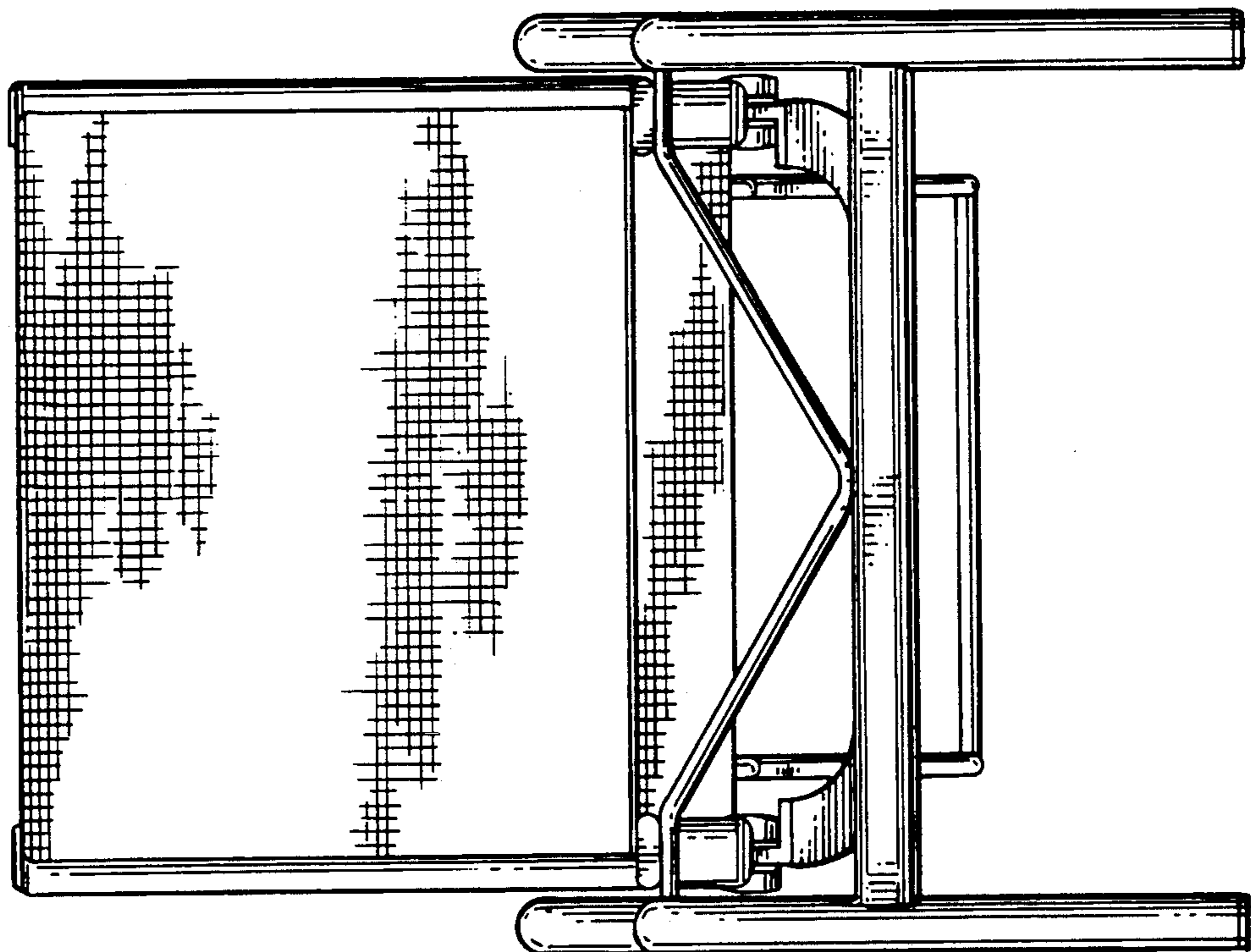
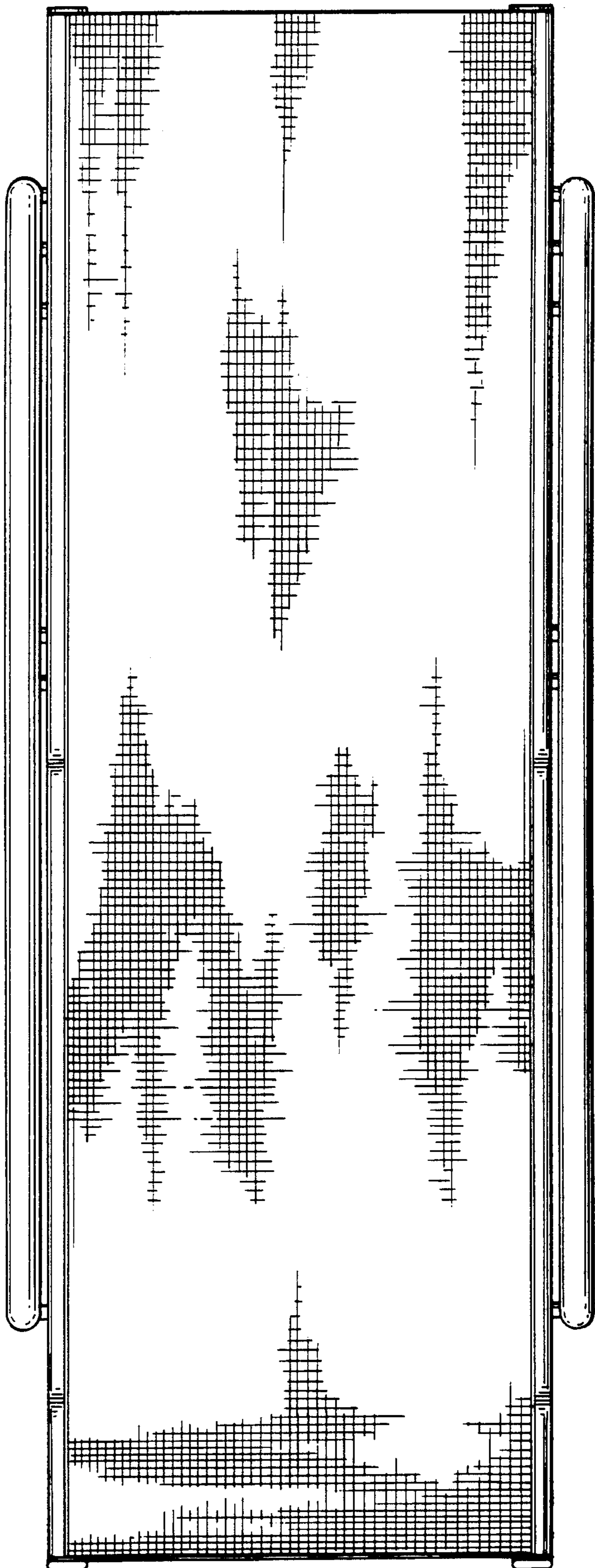


Fig. 5



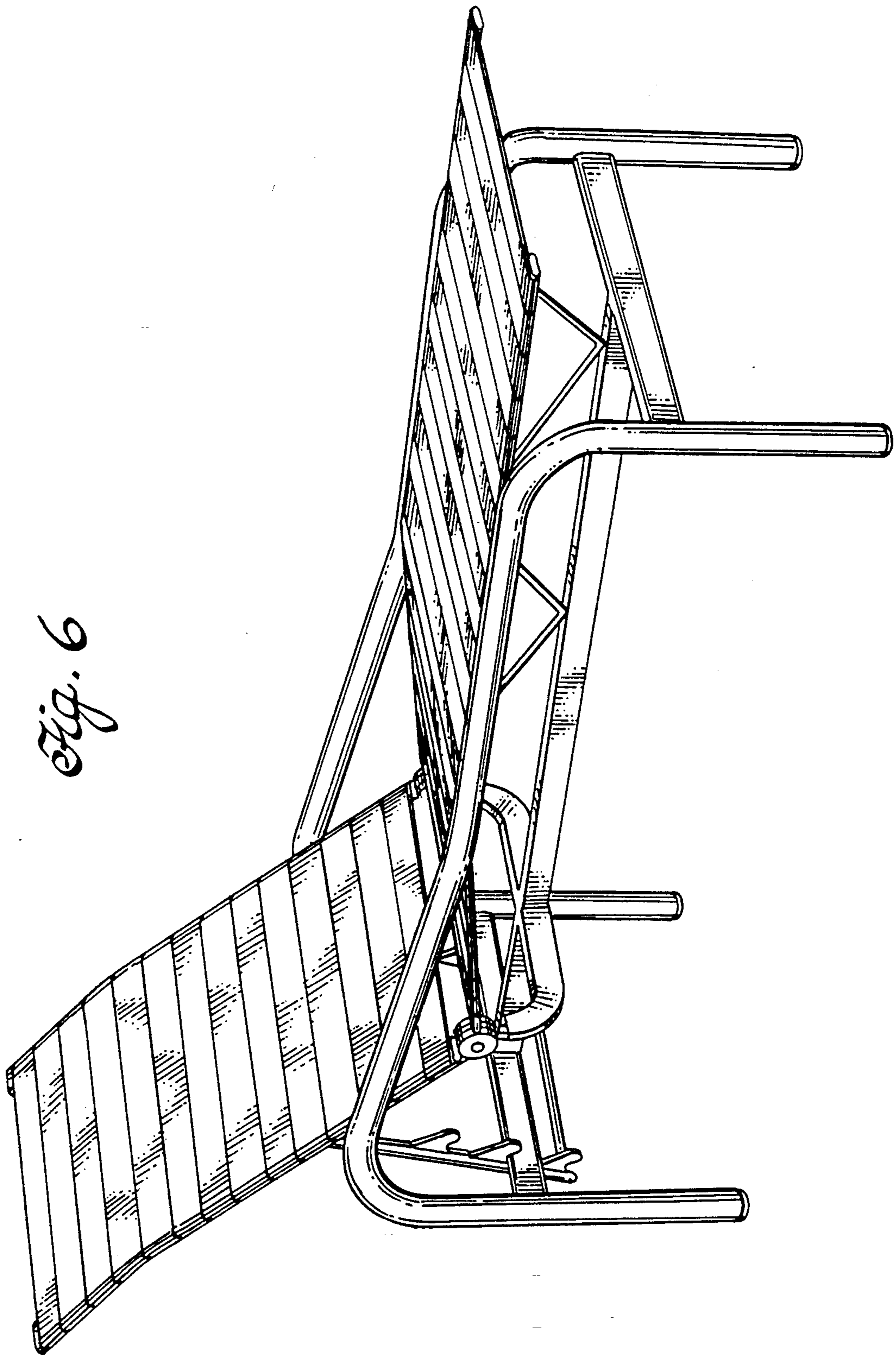


Fig. 6

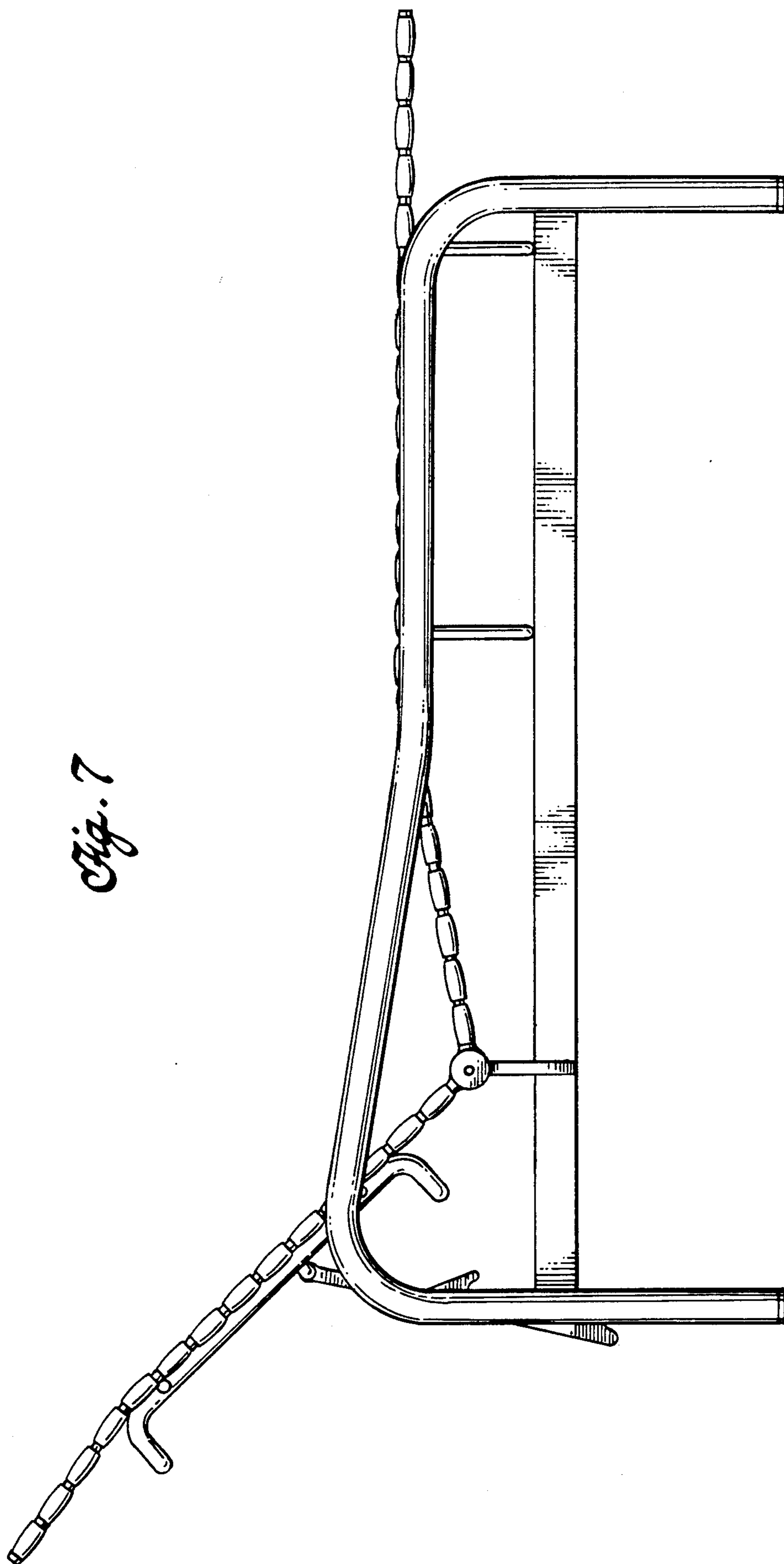


Fig. 7

Fig. 9

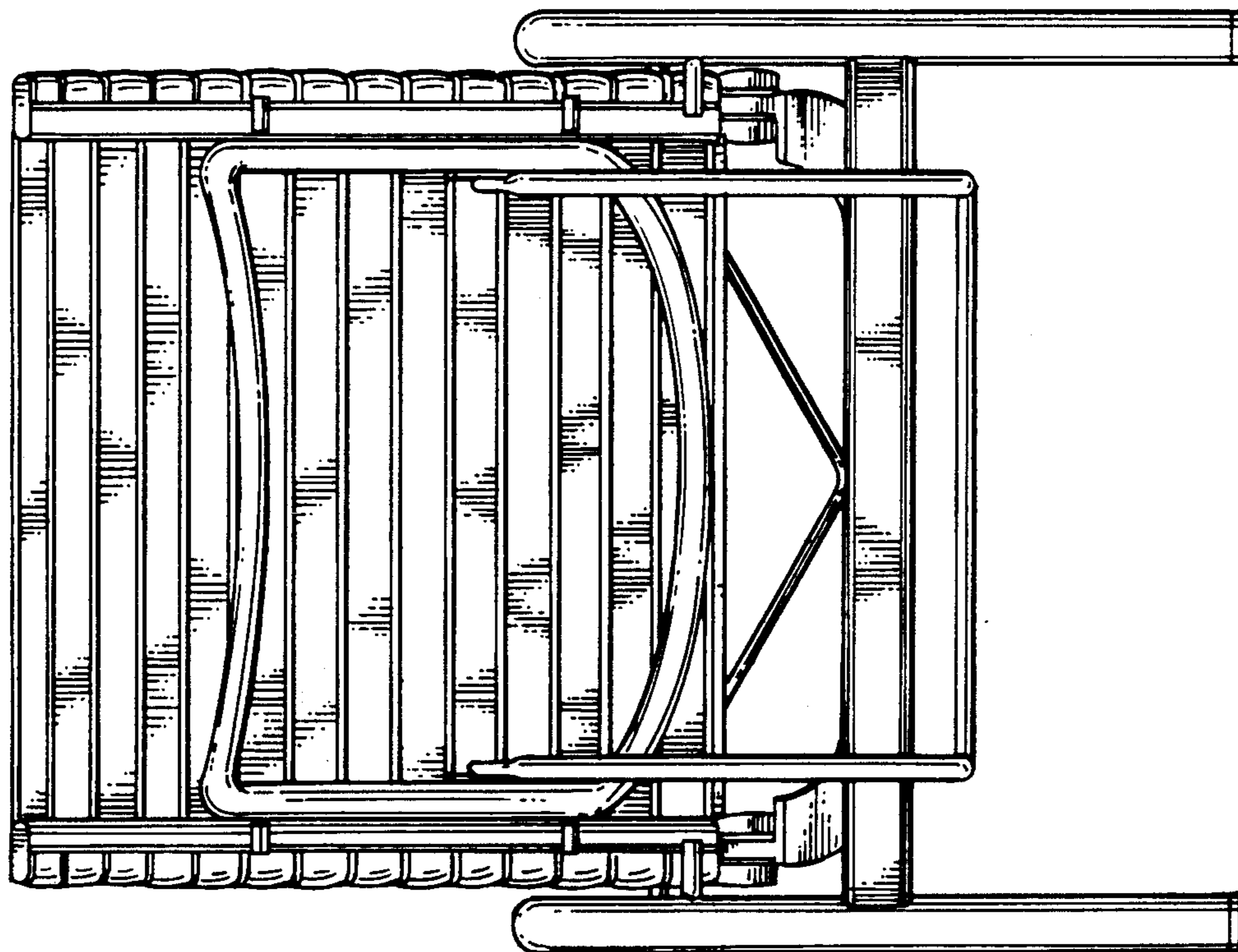


Fig. 8

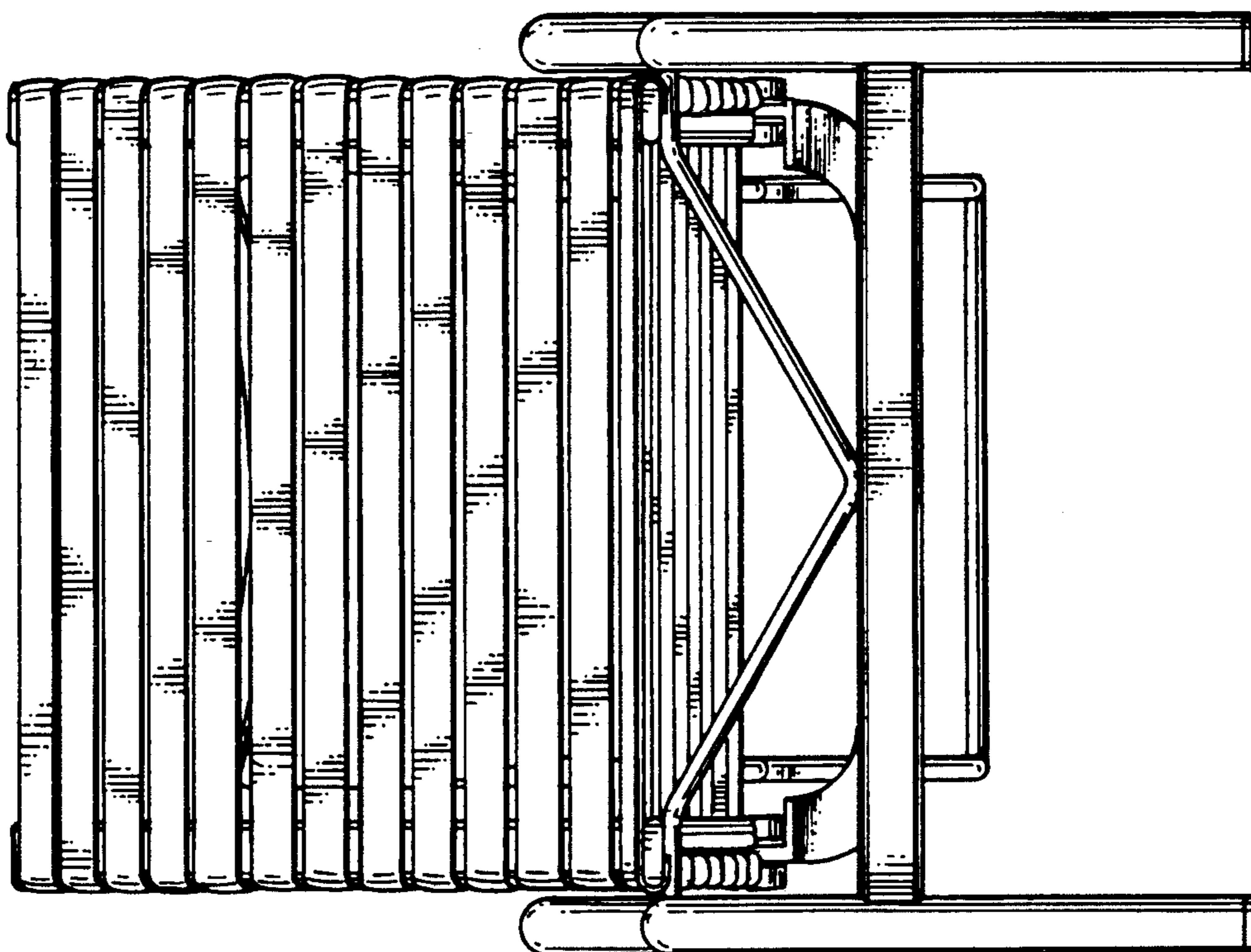


Fig. 10

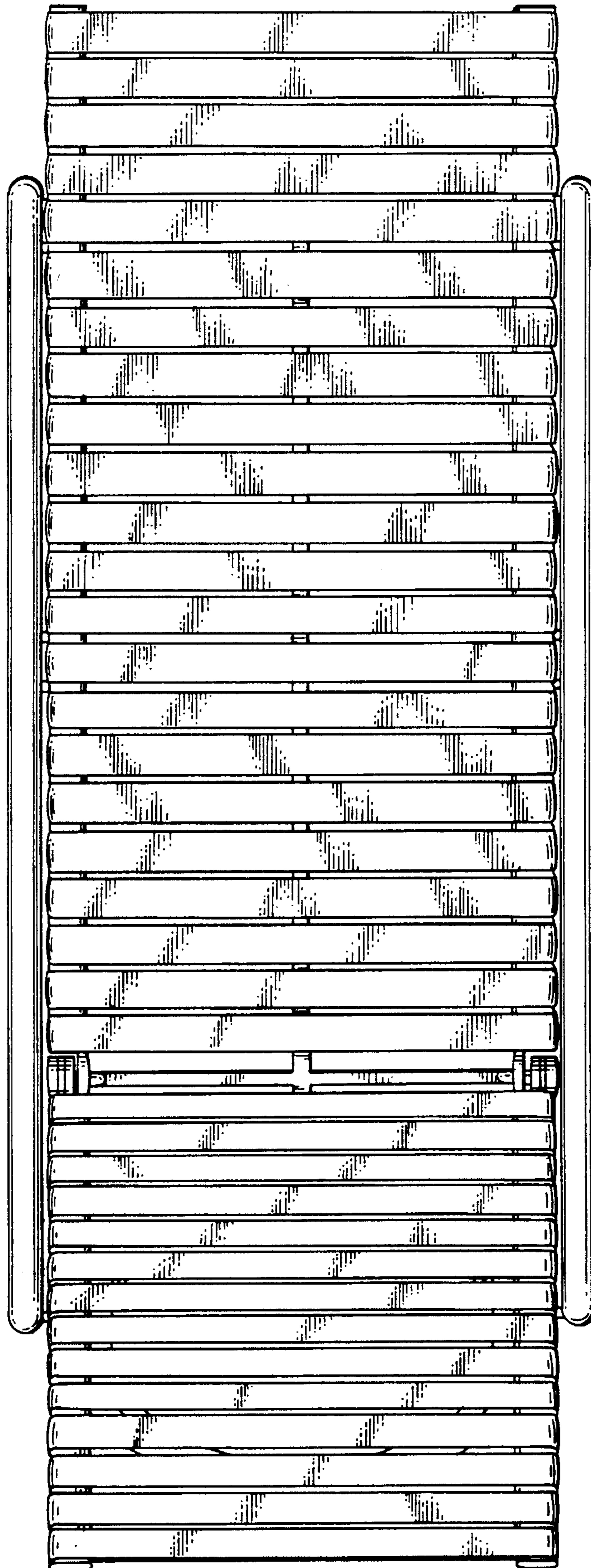


Fig. 11

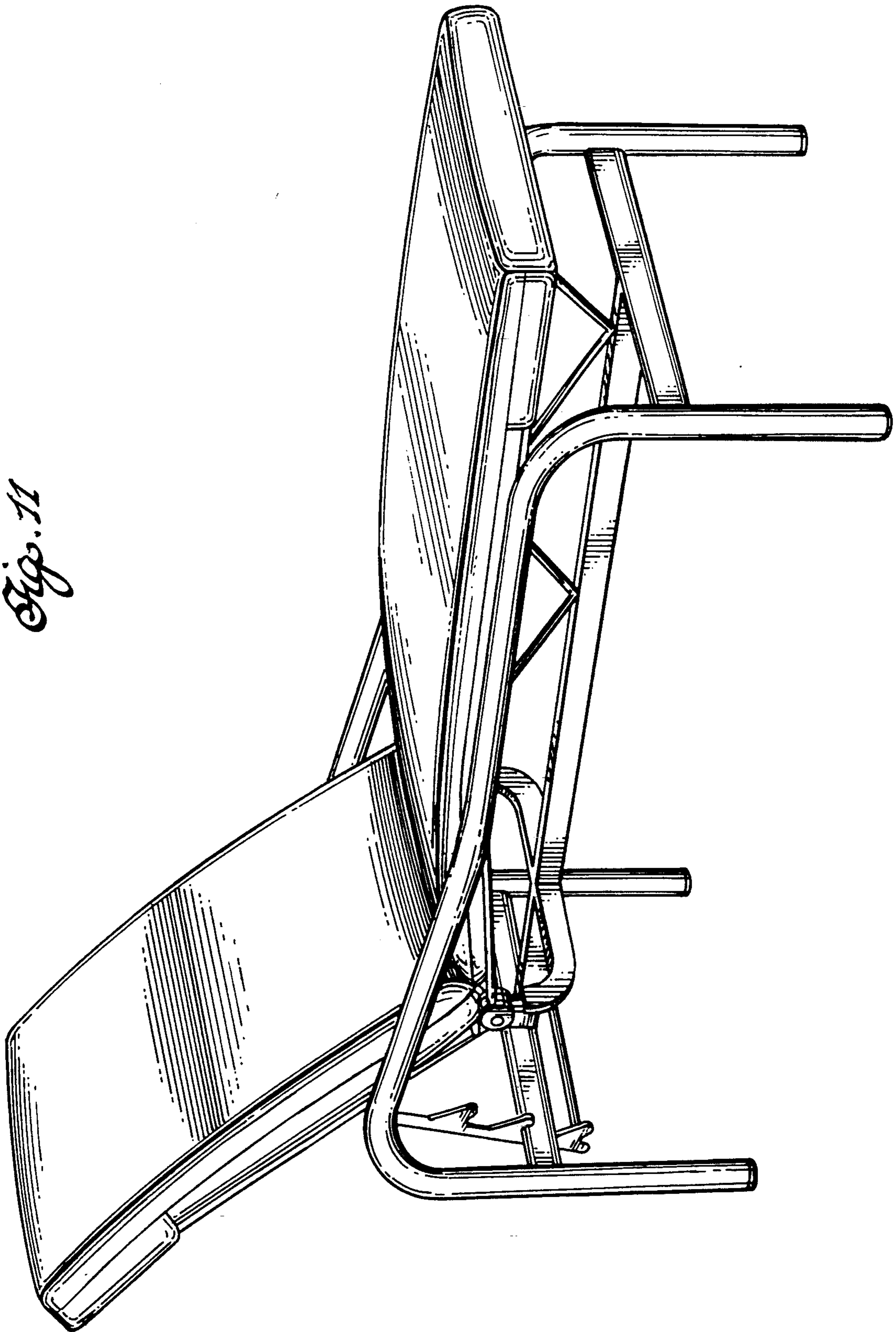


Fig. 12

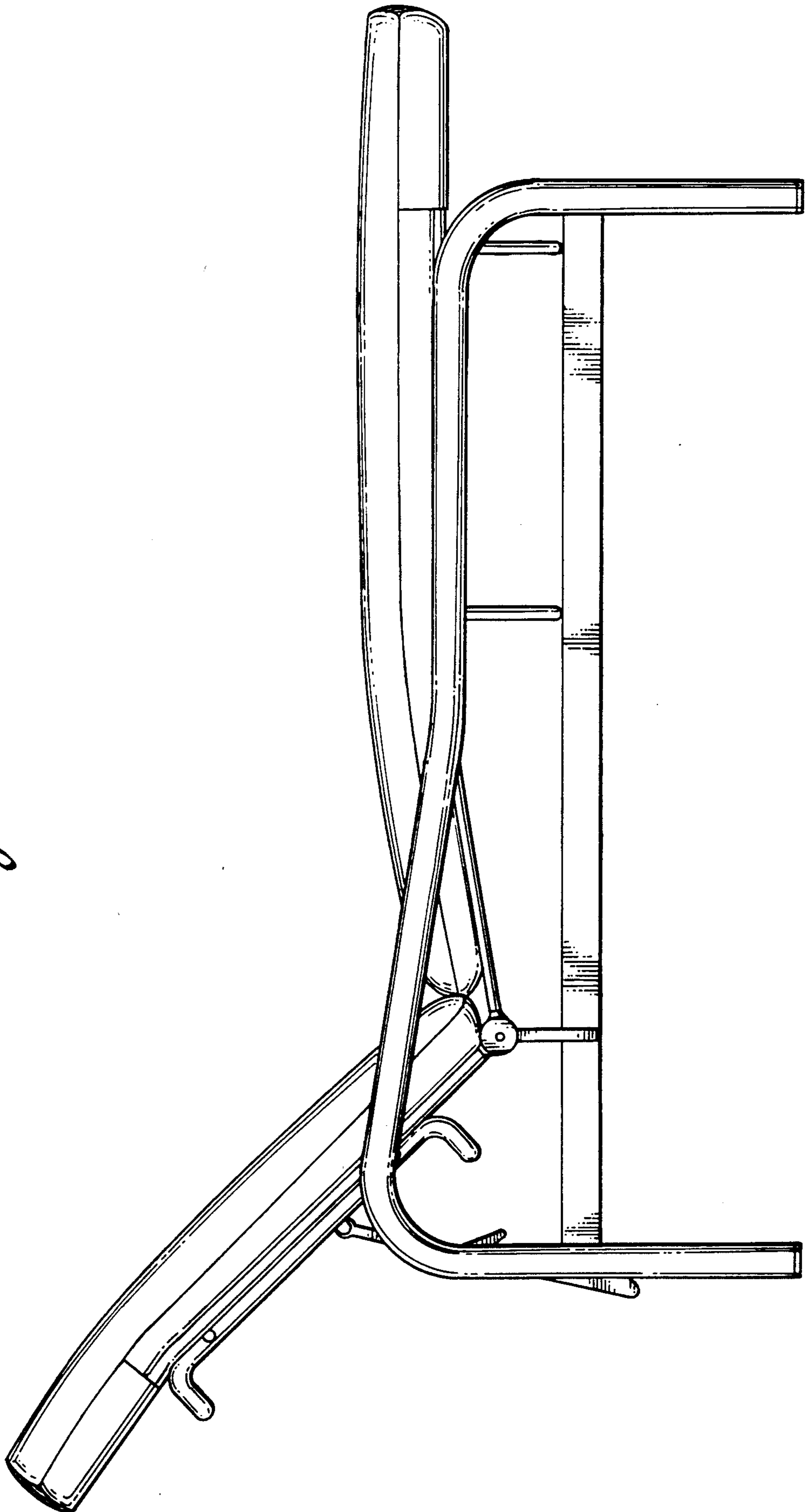


Fig. 14

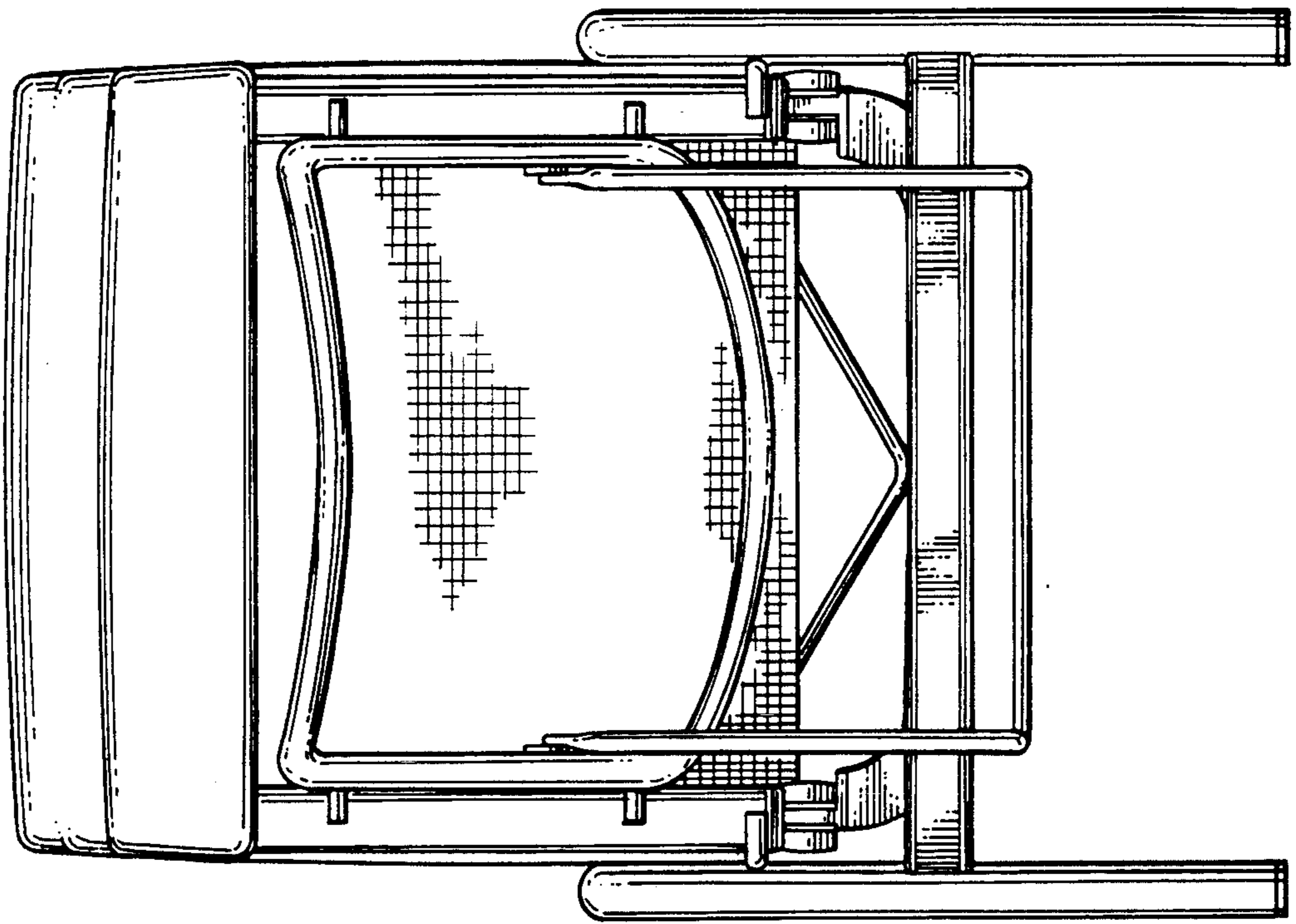


Fig. 13

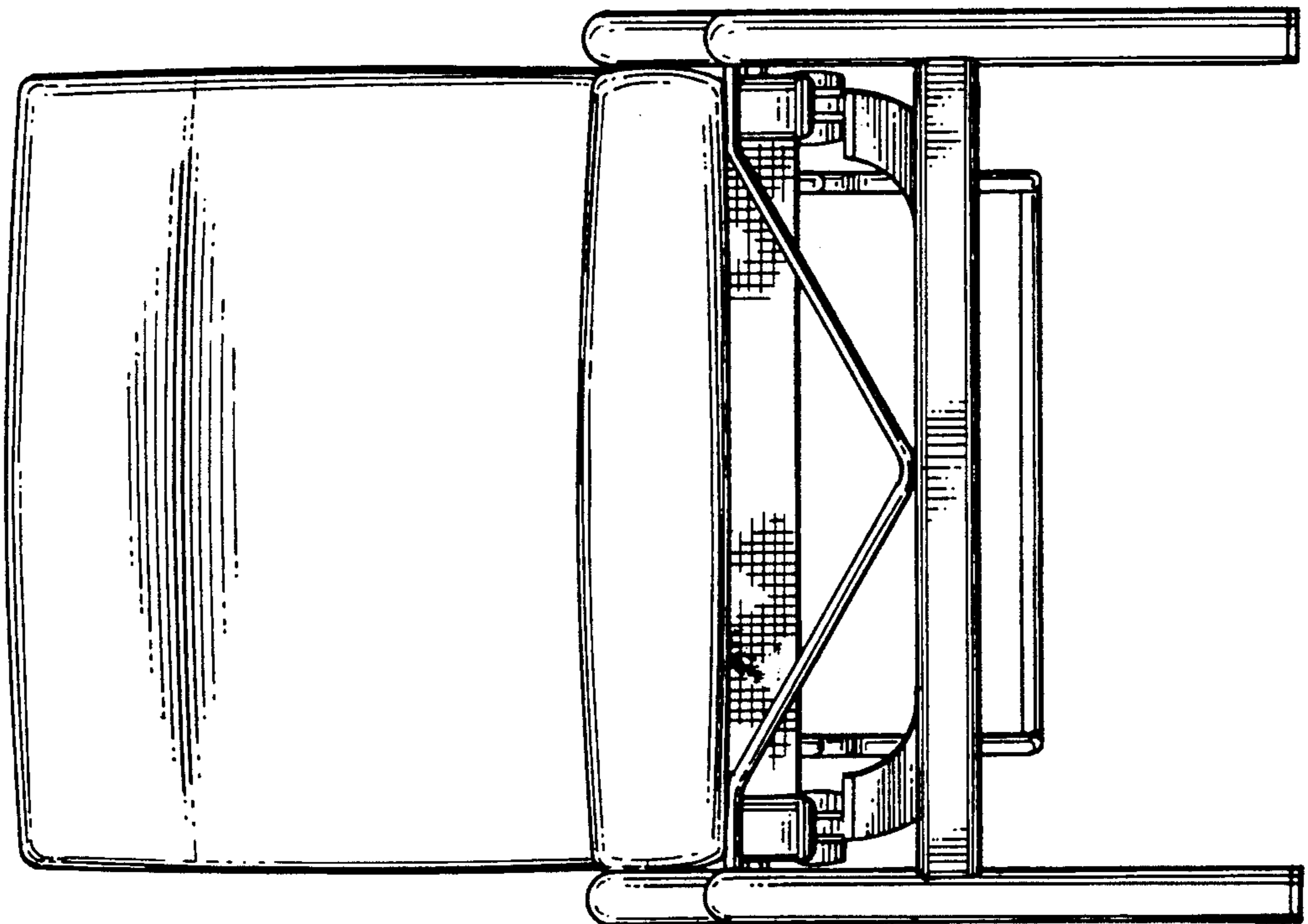


Fig. 15

