

[54] PAINT ROLLER YOKE

[75] Inventor: Scott R. Parizek, Fridley, Minn.

[73] Assignee: Padco, Inc., Minneapolis, Minn.

[\*\*] Term: 14 Years

[21] Appl. No.: 218,106

[22] Filed: Jul. 12, 1988

[52] U.S. Cl. .... D4/122; D4/199

[58] Field of Search ..... D4/122, 199; D32/35, D32/40; 15/104 R, 104 A, 230.11

[56] References Cited

U.S. PATENT DOCUMENTS

- D. 206,258 11/1966 Roth ..... D4/122
- D. 262,075 12/1981 Cooke ..... D4/122
- D. 293,860 1/1988 Smith ..... D4/122
- D. 306,524 3/1990 Marshall ..... D4/122

OTHER PUBLICATIONS

Photographs Showing a Prior Yoke Roller.

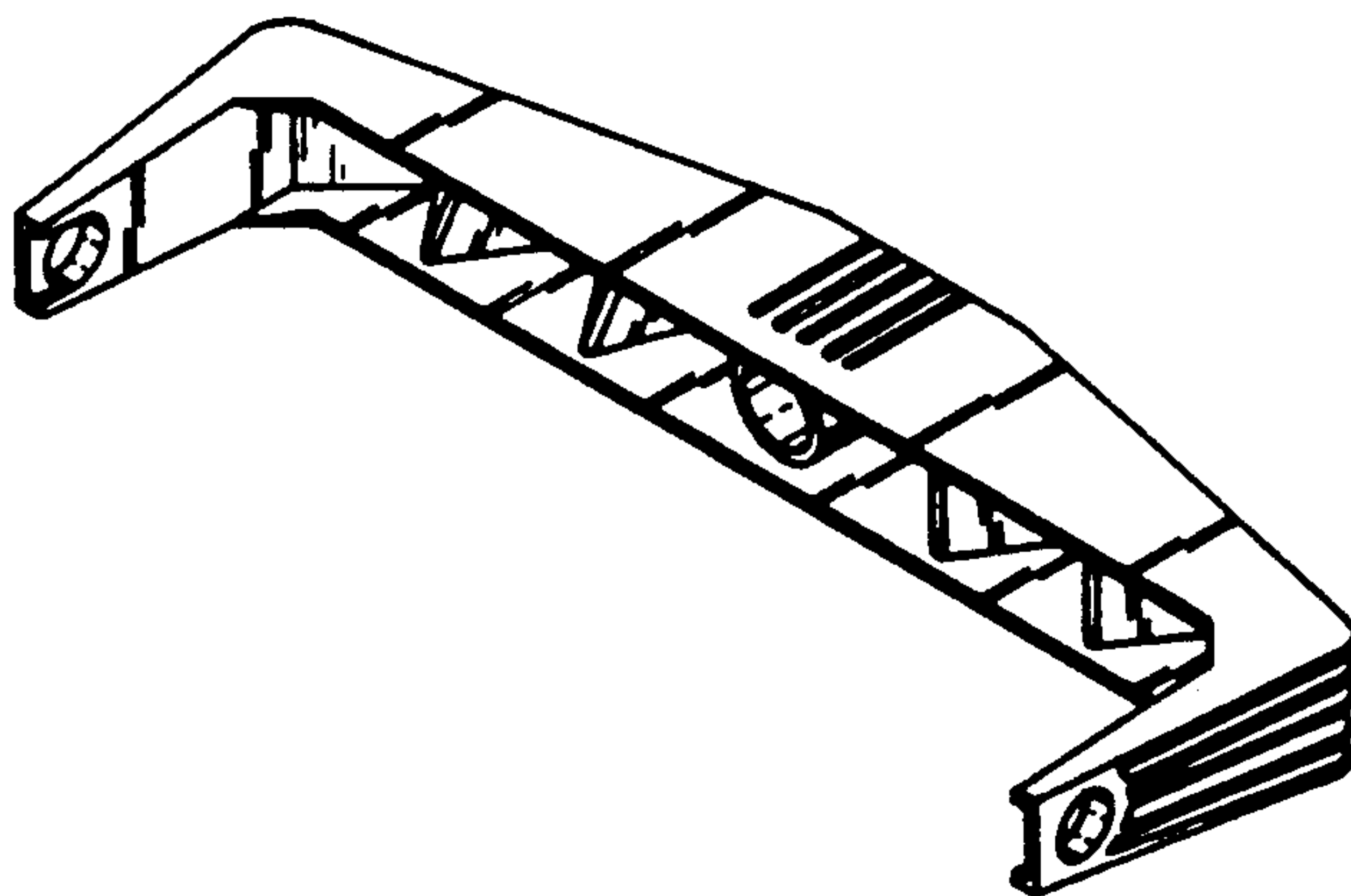
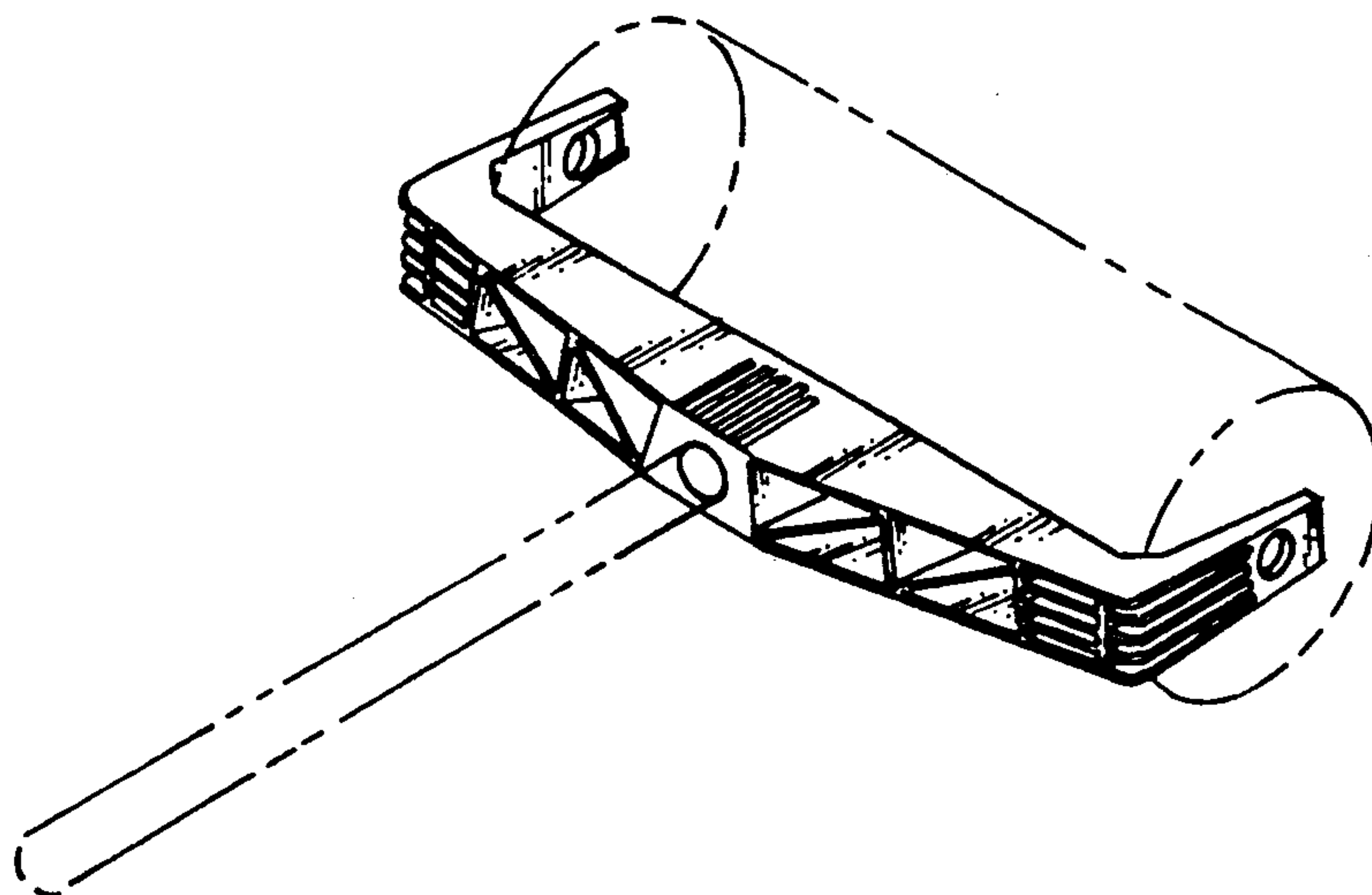
Primary Examiner—Wallace R. Burke  
Assistant Examiner—Lavone D. Tabor  
Attorney, Agent, or Firm—Merchant, Gould, Smith, Edell, Welter & Schmidt

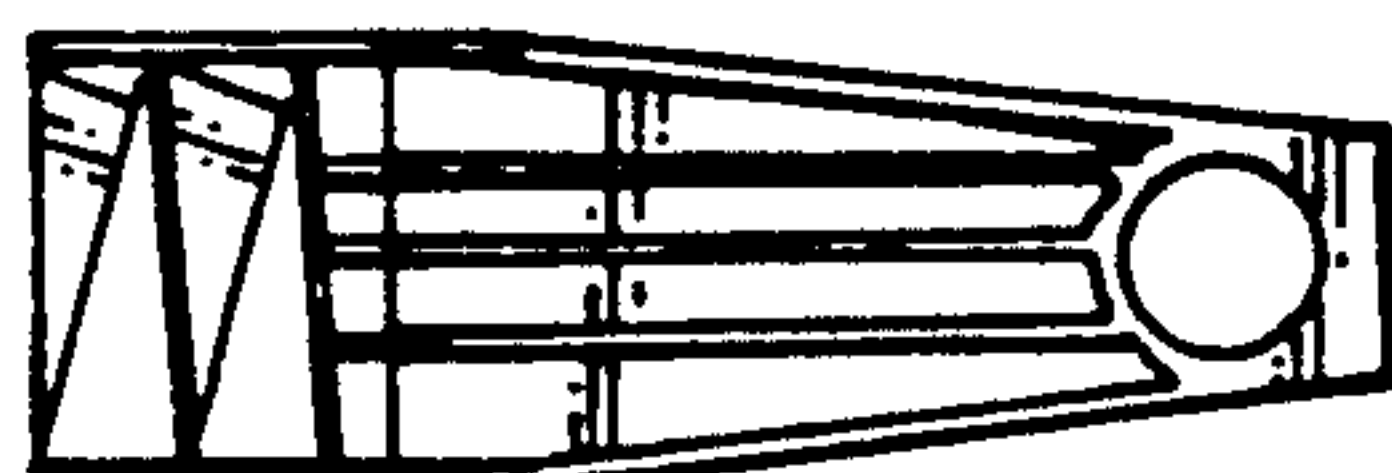
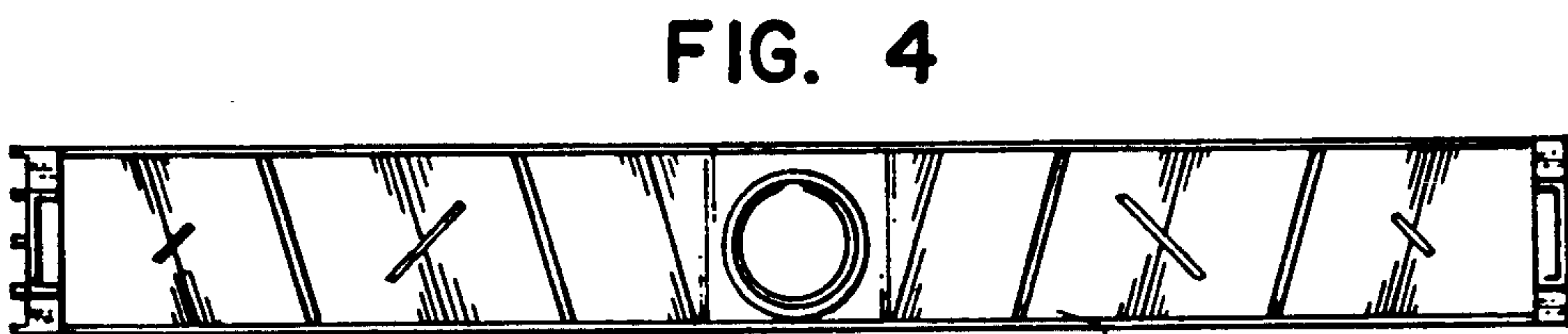
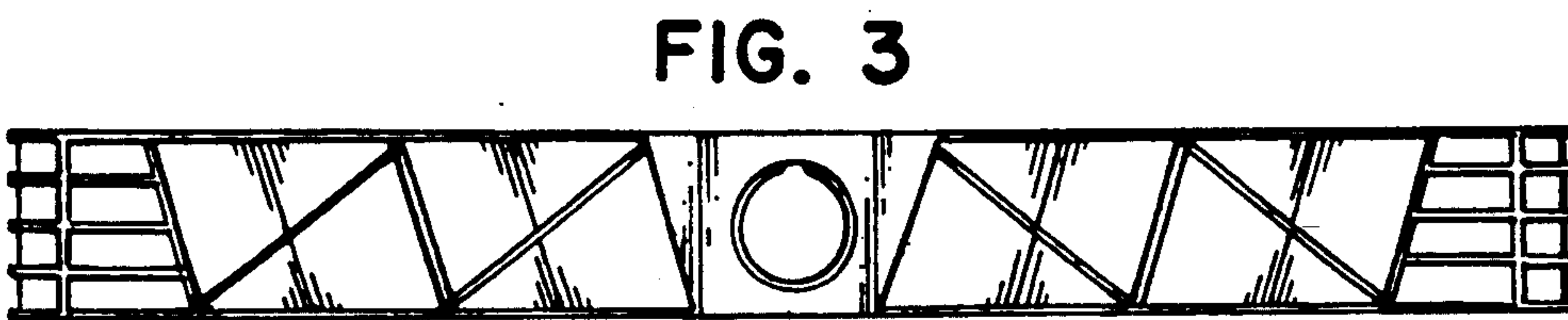
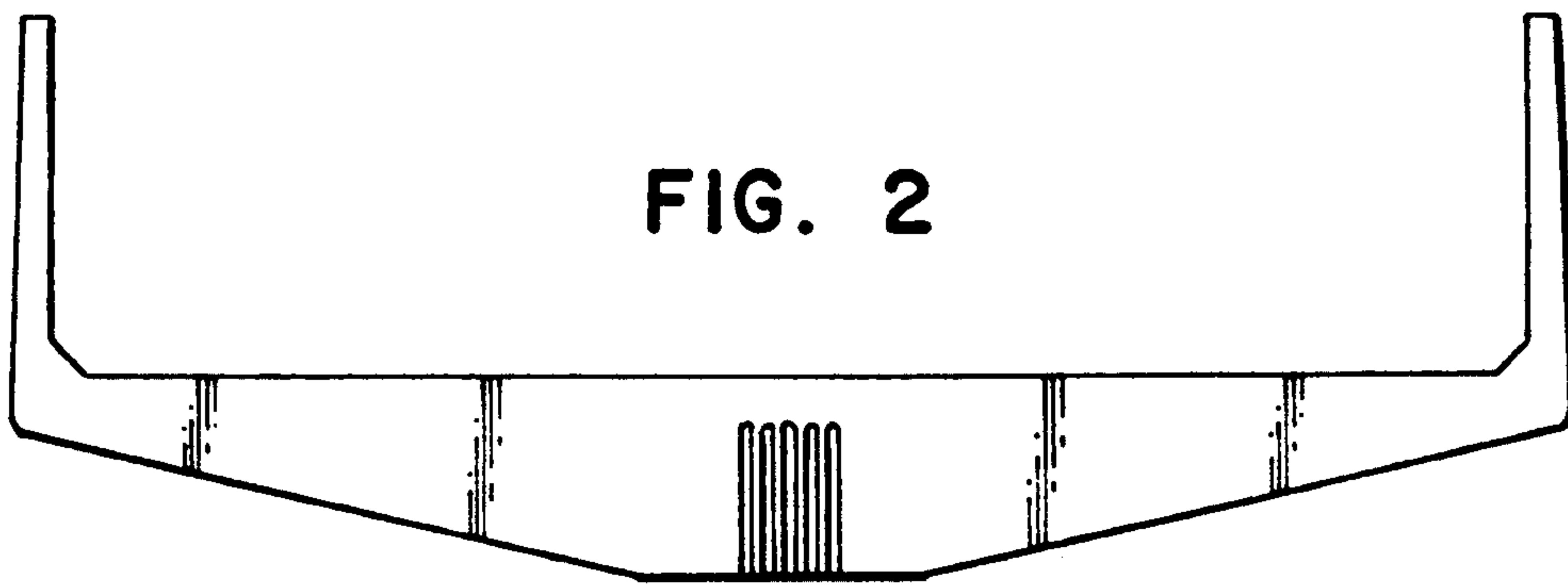
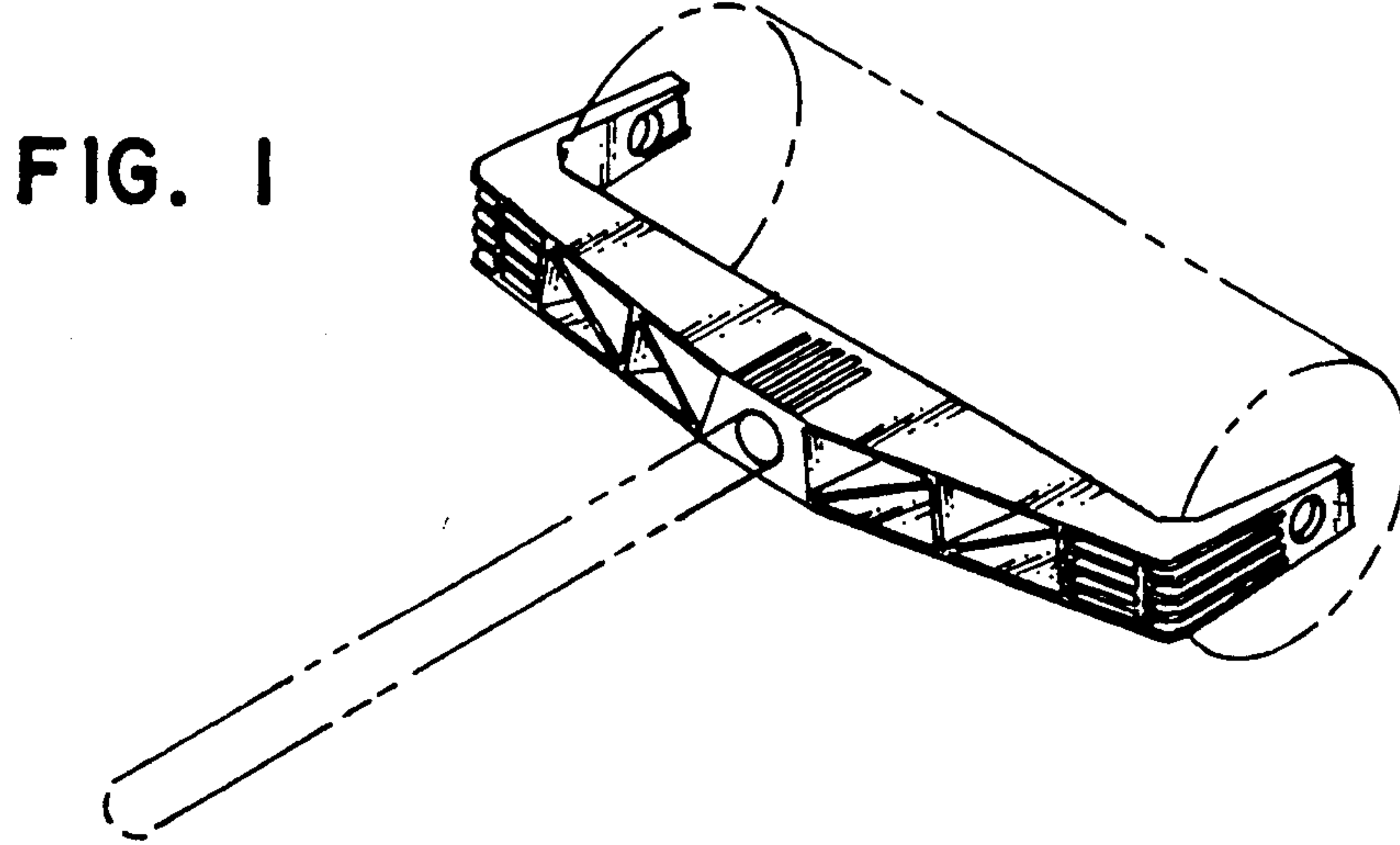
[57] CLAIM

The ornamental design for a paint roller yoke, as shown and described.

DESCRIPTION

FIG. 1 is a rear perspective view of a paint roller yoke showing my new design;  
FIG. 2 is an enlarged top plan view thereof, the bottom being a mirror image;  
FIG. 3 is a rear elevational view thereof;  
FIG. 4 is a front elevational view thereof;  
FIG. 5 is a right side elevational view thereof, the left side being a mirror image; and  
FIG. 6 is a reduced front perspective view thereof.  
The broken line showing of a paint roller and handle is for illustrative purposes only and forms not part of the claimed design.





**FIG. 5**

FIG. 6

