

[54] LUGGAGE CART OR THE LIKE

[76] Inventor: Cheng-Hsien Tsai, No. 103, Ta Ming 1 Rd., Tan Tzu Hsiang, Taichung Hsien, Taiwan

[**] Term: 14 Years

[21] Appl. No.: 397,307

[22] Filed: Aug. 23, 1989

[52] U.S. Cl. D34/26; D34/24

[58] Field of Search D34/26, 12, 24; 280/654, 47.24, 47.27, 47.29, 655

[56] References Cited

U.S. PATENT DOCUMENTS

- 4,917,401 4/1990 Iwaki 280/47.29
- 4,953,888 9/1990 Stein 280/47.29

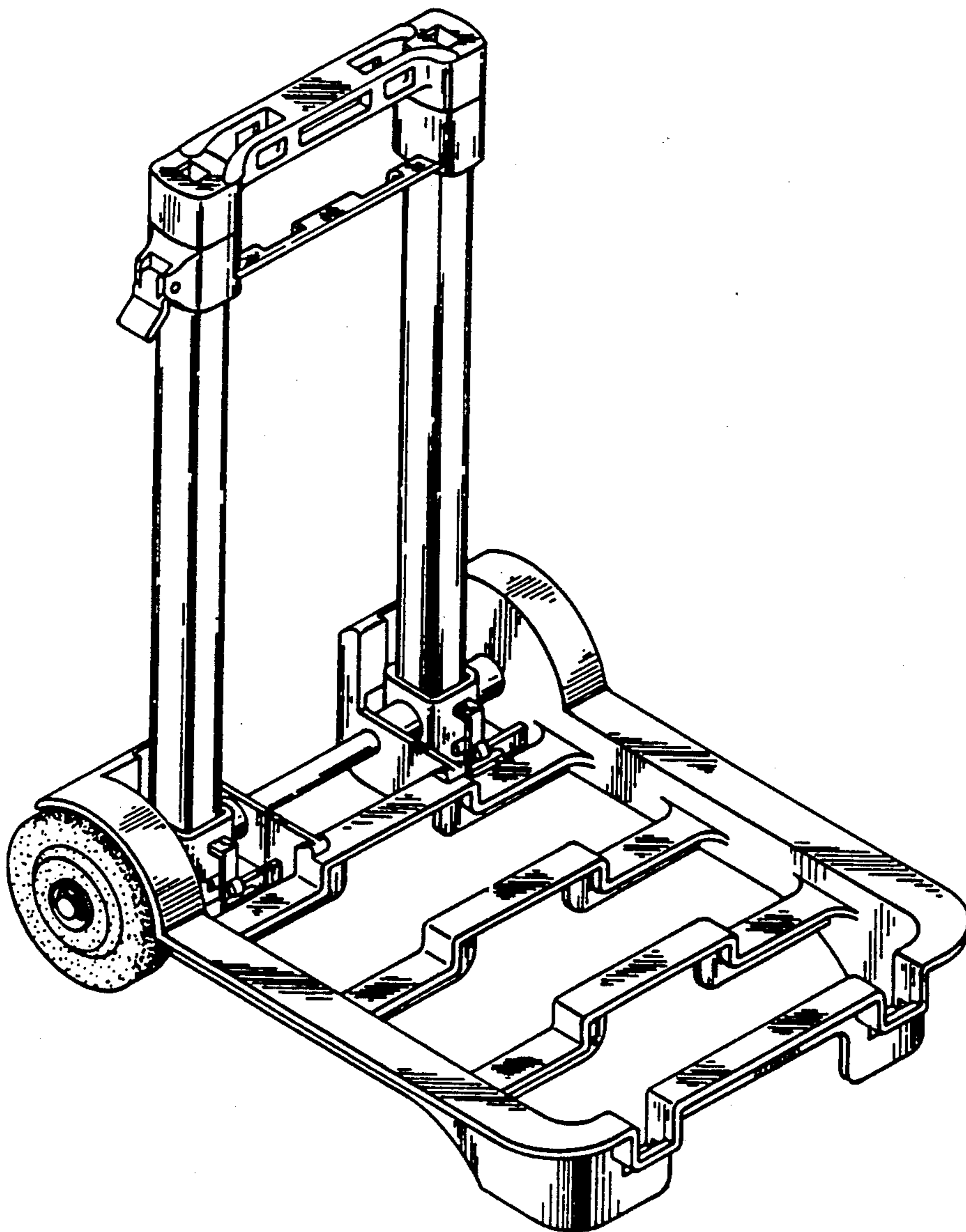
Primary Examiner—Kay H. Chin
Attorney, Agent, or Firm—Fleit, Jacobson, Cohn, Price, Holman & Stern

[57] CLAIM

The ornamental design for a luggage cart or the like, as shown and described.

DESCRIPTION

FIG. 1 is a front and top perspective view of a luggage cart or the like, showing my new design; FIG. 2 is a front elevation view thereof; FIG. 3 is a rear elevation view thereof; FIG. 4 is a top plan view thereof; FIG. 5 is a bottom plan view thereof; FIG. 6 is a left side elevation view thereof; FIG. 7 is a right elevation view thereof; and FIG. 8 is a top perspective view thereof in its folded position.



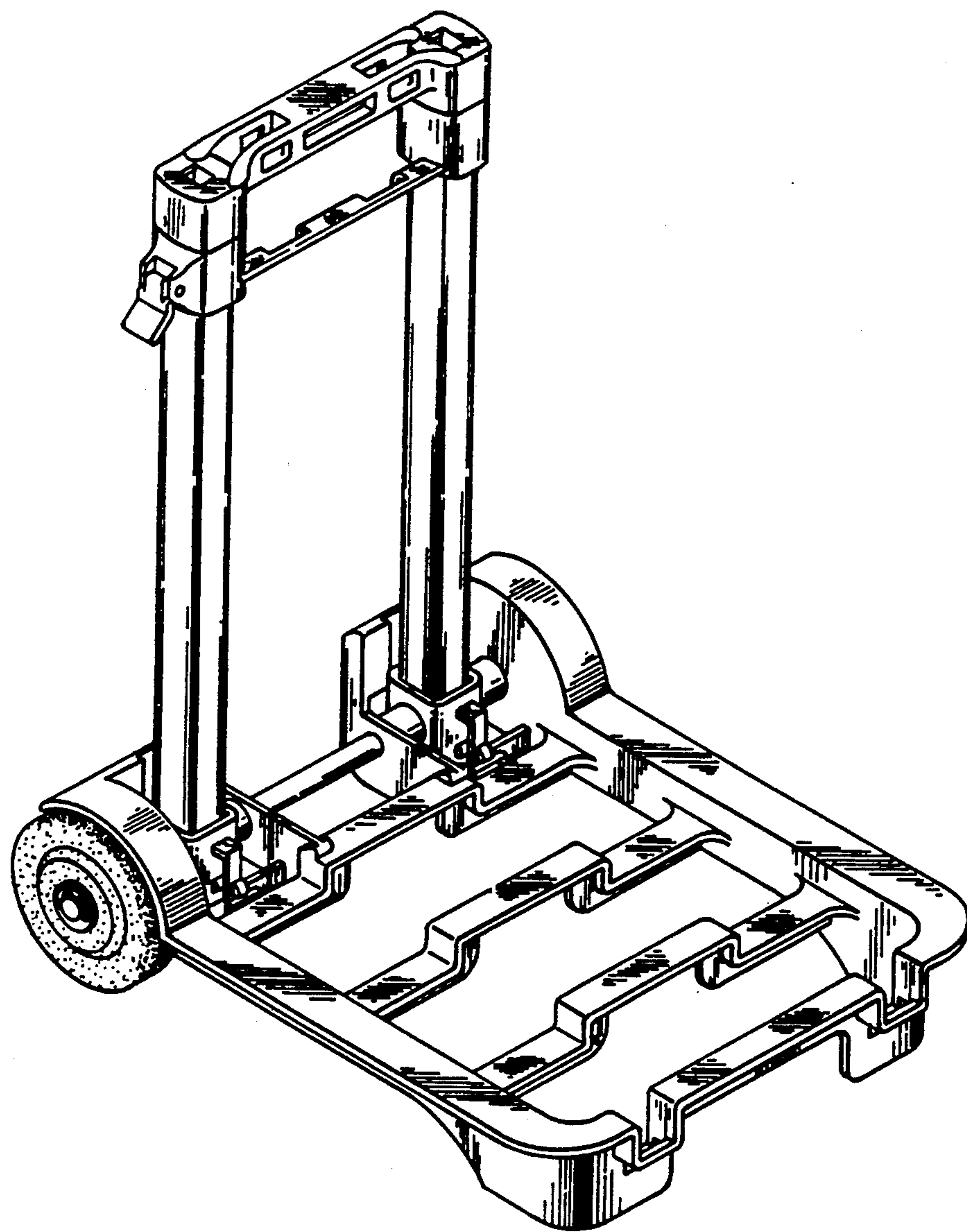


FIG.1

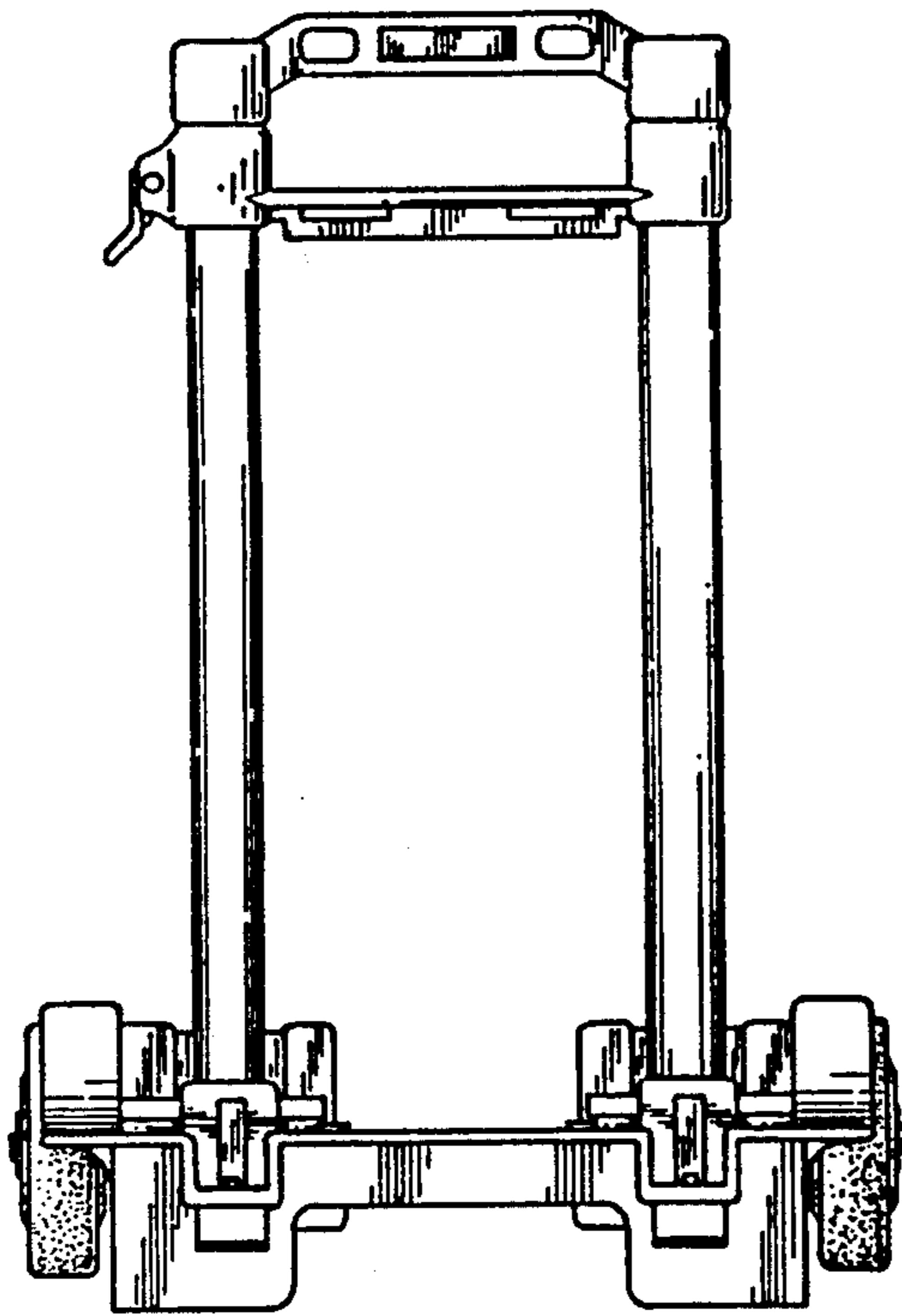


FIG. 2

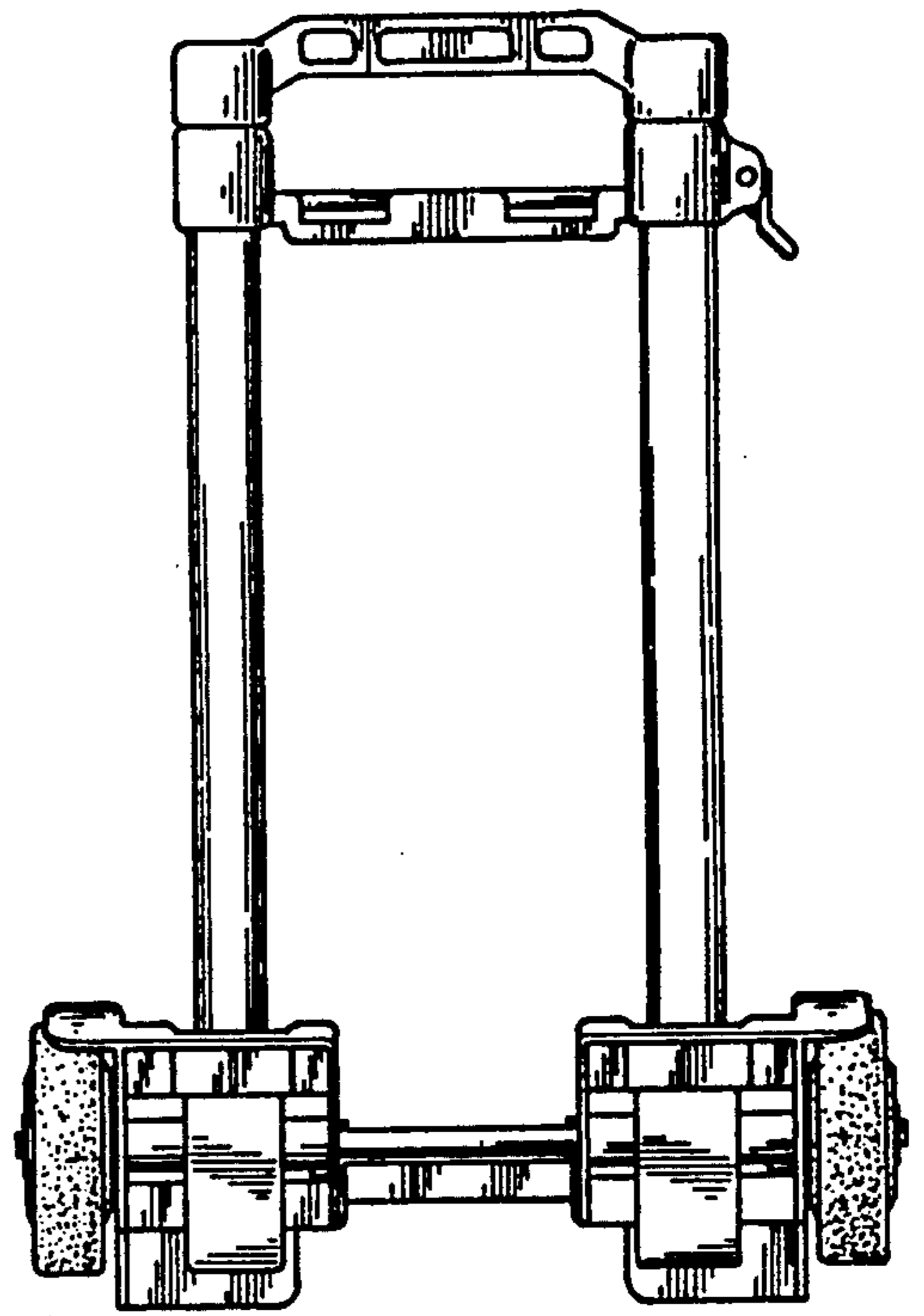


FIG. 3

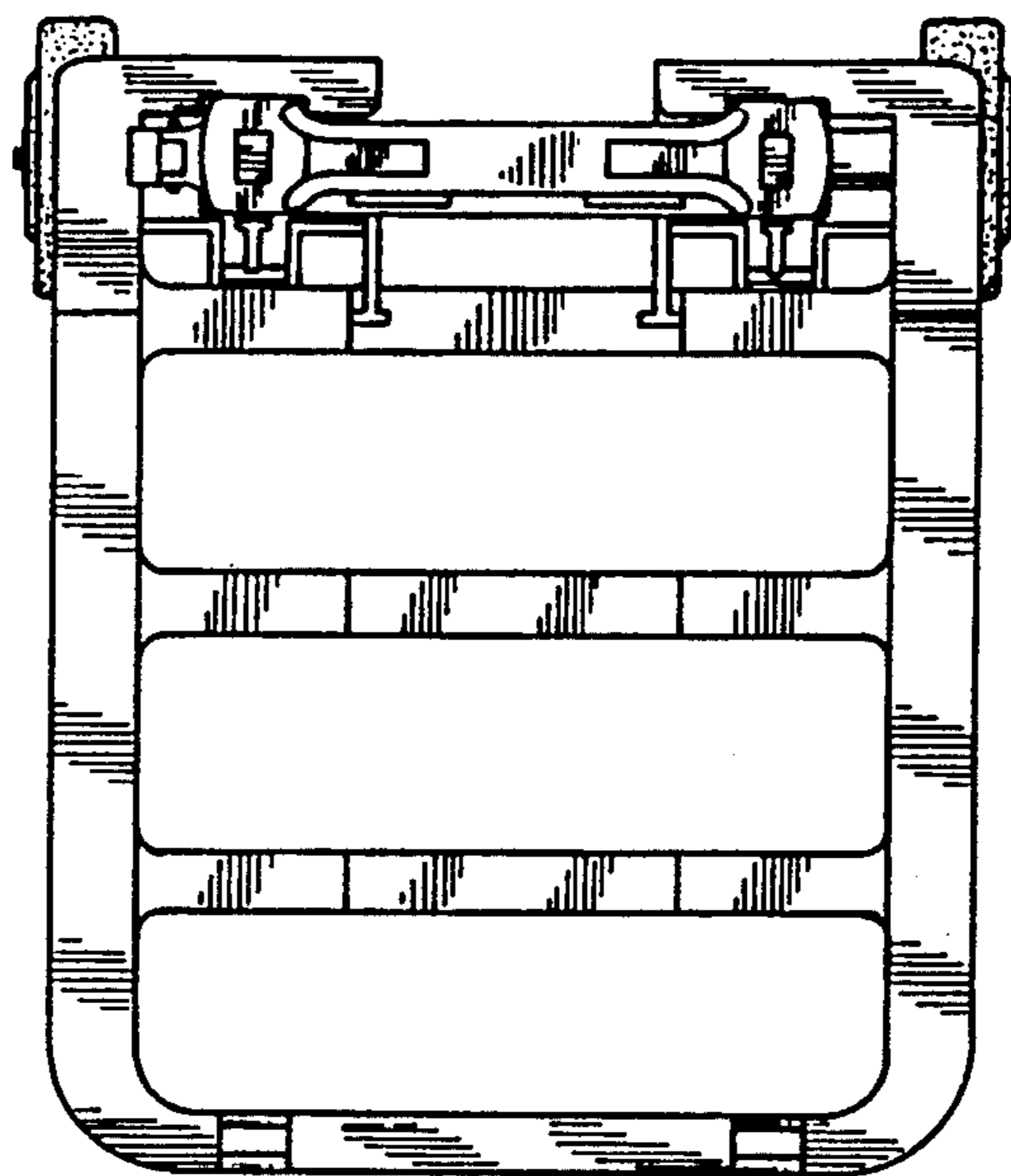


FIG. 4

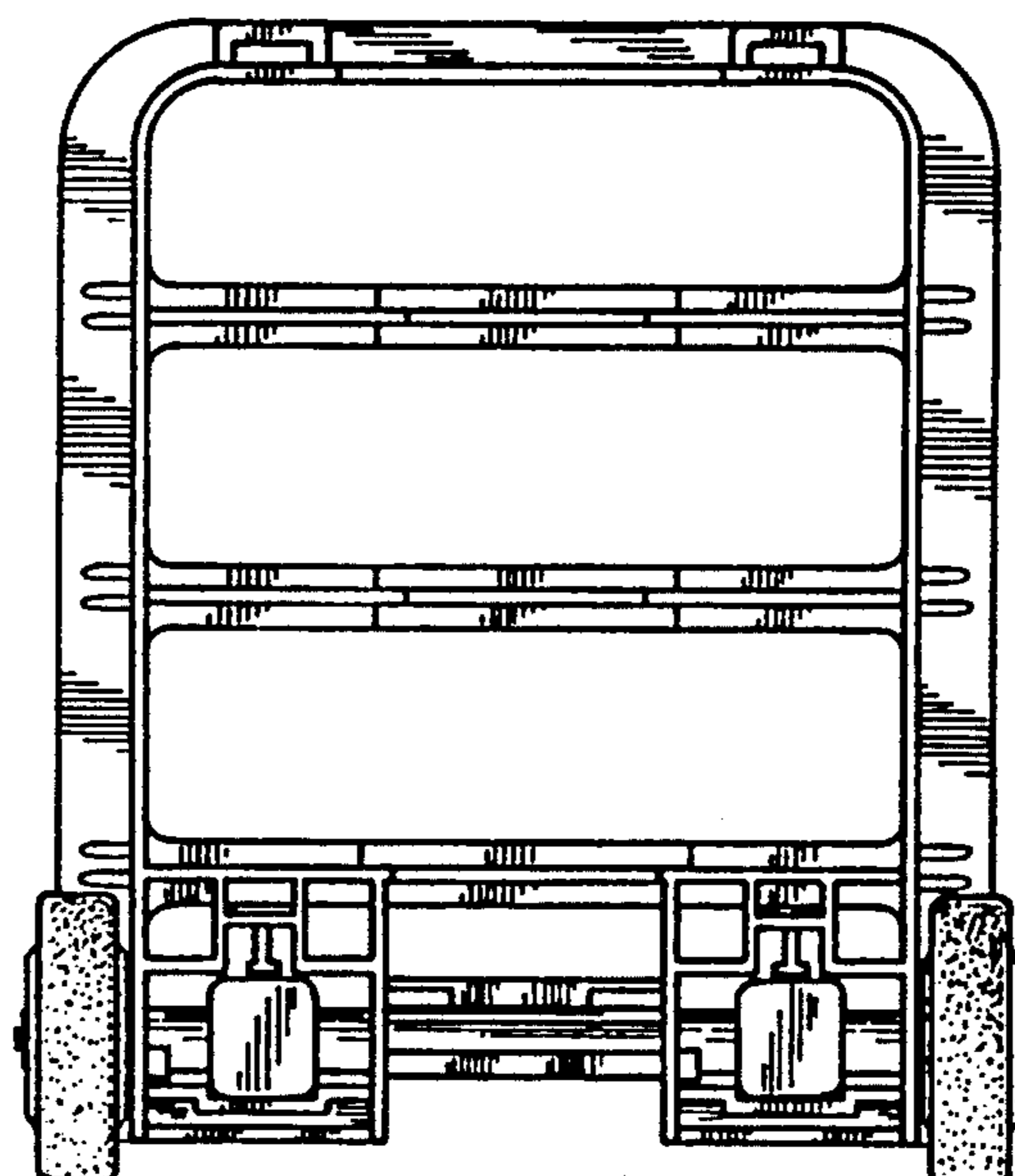


FIG. 5

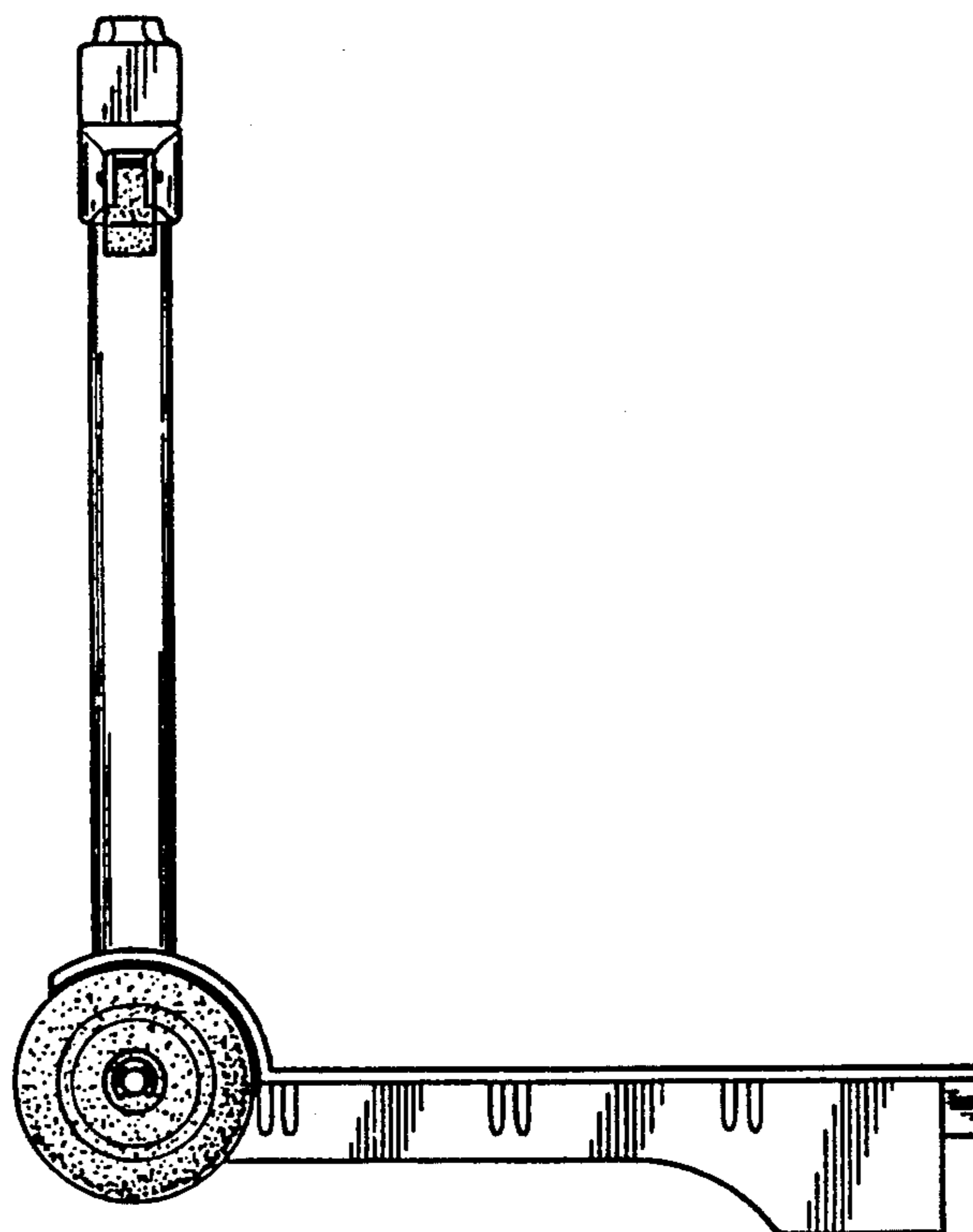


FIG. 6

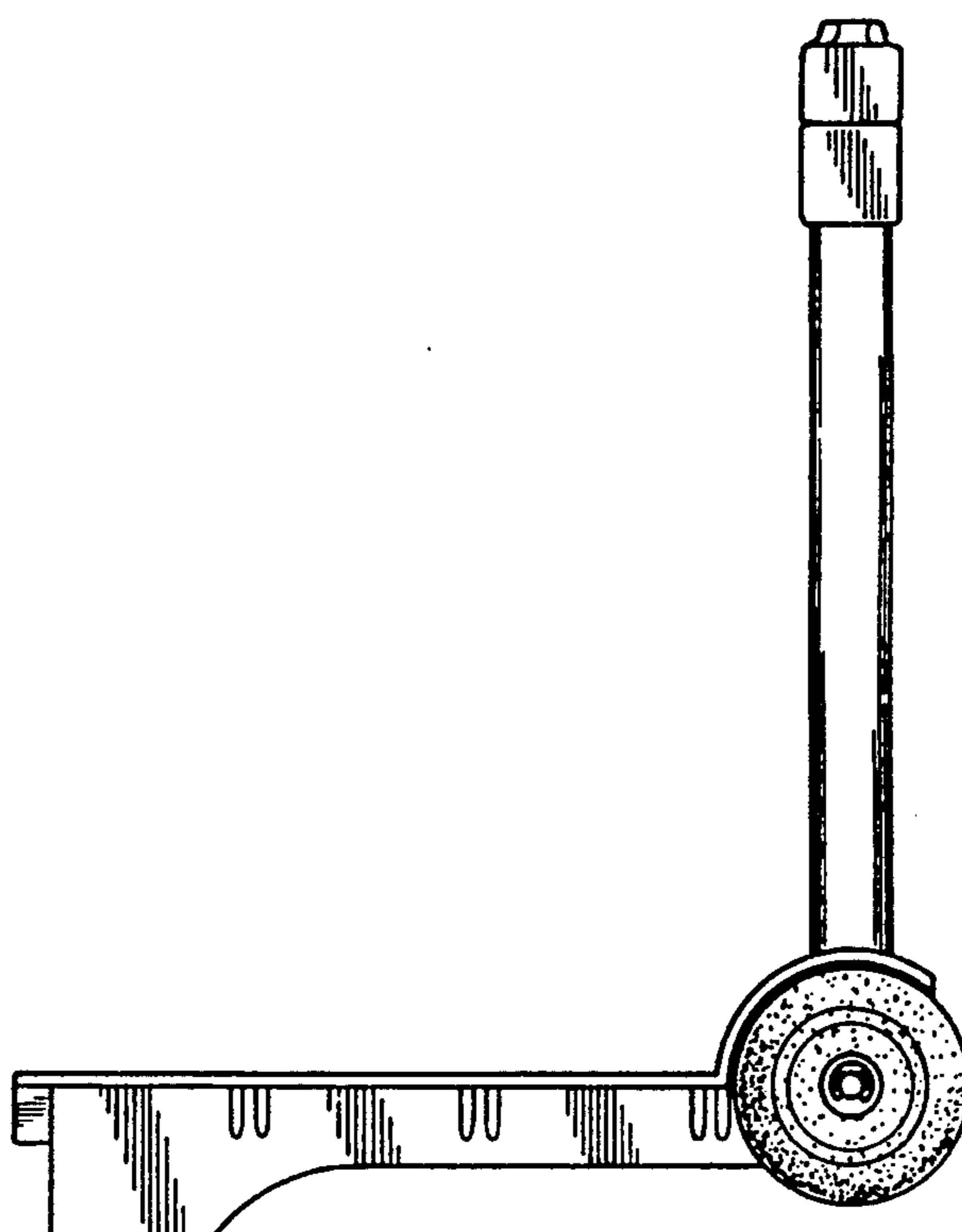


FIG. 7

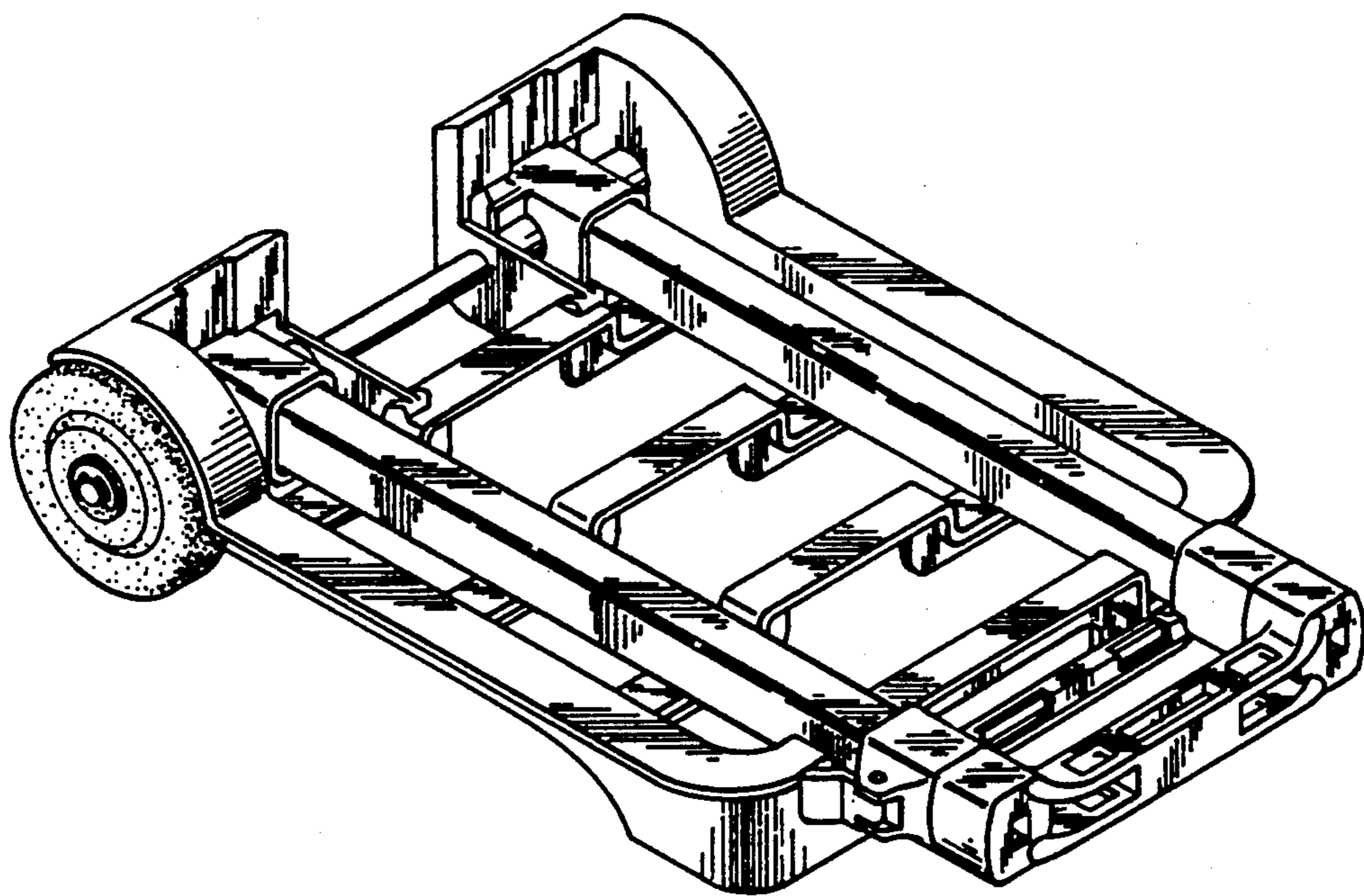


FIG.8