

[54] DOUBLE DECKER SELECTIVE BIRD FEEDER

[76] Inventor: Peter Kilham, Mill Rd., Foster, R.I. 02825

[**] Term: 14 Years

[21] Appl. No.: 437,211

[22] Filed: Nov. 16, 1989

[52] U.S. Cl. D30/127; D30/124

[58] Field of Search D30/121, 122, 124-128, D30/133; D6/520, 523; 119/18, 24, 25, 26, 29, 48, 49, 51.03, 52.1, 52.2, 52.3, 55, 57.8, 57.9, 61, 69, 72, 75

[56] References Cited

U.S. PATENT DOCUMENTS

D. 251,021	2/1979	Blasbalg	D30/127
D. 252,591	8/1979	Hyde, Jr.	D30/127
D. 282,019	12/1985	Kilham	D30/127
3,568,641	3/1971	Kilham	D30/127
4,201,155	5/1980	Hyde, Jr.	119/57.8
4,216,742	8/1980	Kirchhofer	119/18
4,318,364	3/1982	Bescherer	119/57.8

OTHER PUBLICATIONS

Duncraft Specialities for Birdfeeding; p. 12, Item No. B12 PK Feeder.

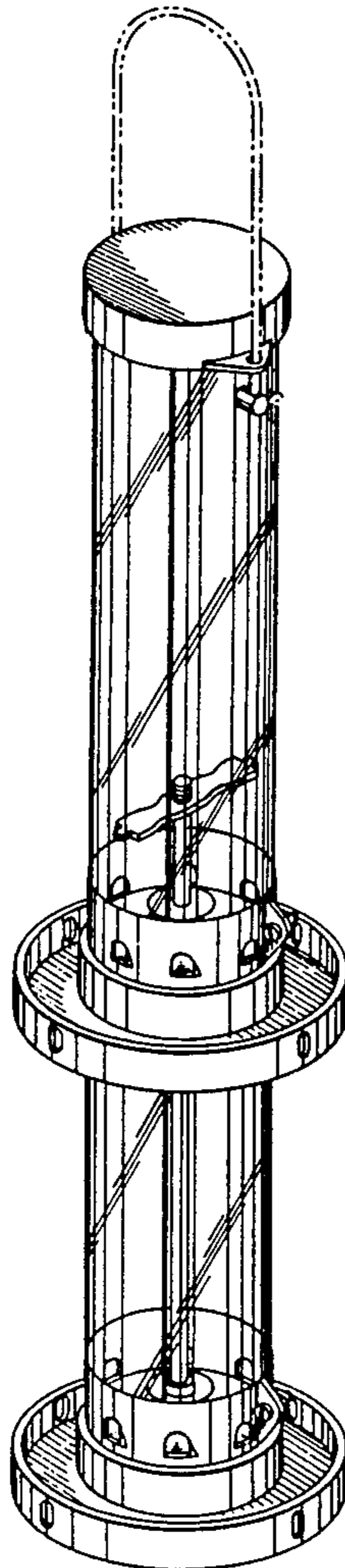
Primary Examiner—Louis S. Zarfes
Assistant Examiner—Cathy Anne MacCormac
Attorney, Agent, or Firm—Robert J. Doherty

[57] CLAIM

The ornamental design for a double decker selective bird feeder, as shown and described.

DESCRIPTION

FIG. 1 is a perspective view of a double decker selective bird feeder showing my new design; FIG. 2 is an enlarged fragmentary front elevational view of the lower portion thereof, the rear being a mirror image of the front view shown; FIG. 3 is an enlarged fragmentary right side elevational view of the lower portion thereof; FIG. 4 is a top plan view thereof; and FIG. 5 is a bottom plan view thereof. The broken lines shown in FIGS. 1 and 4 are for purposes of illustration only and form no part of the claimed design.



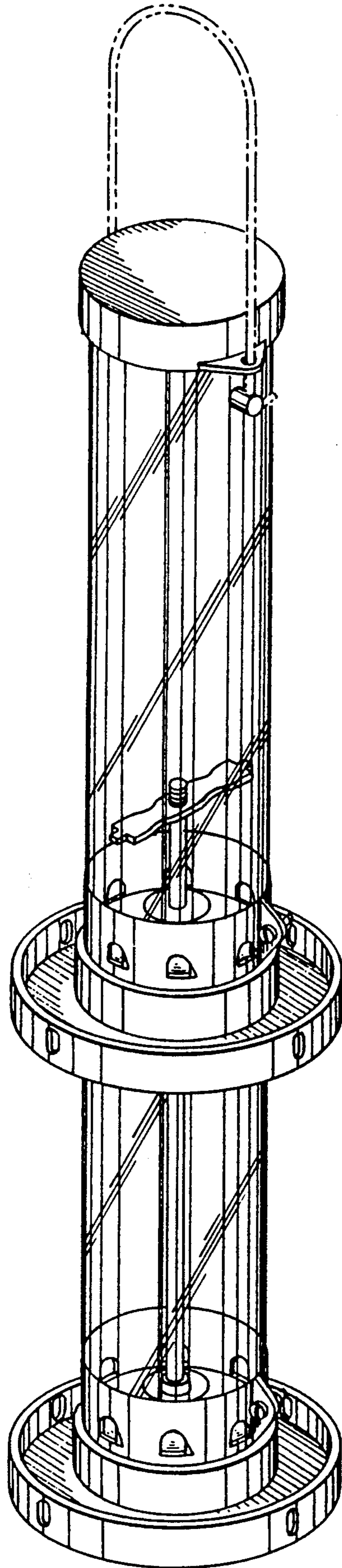


FIG. 1

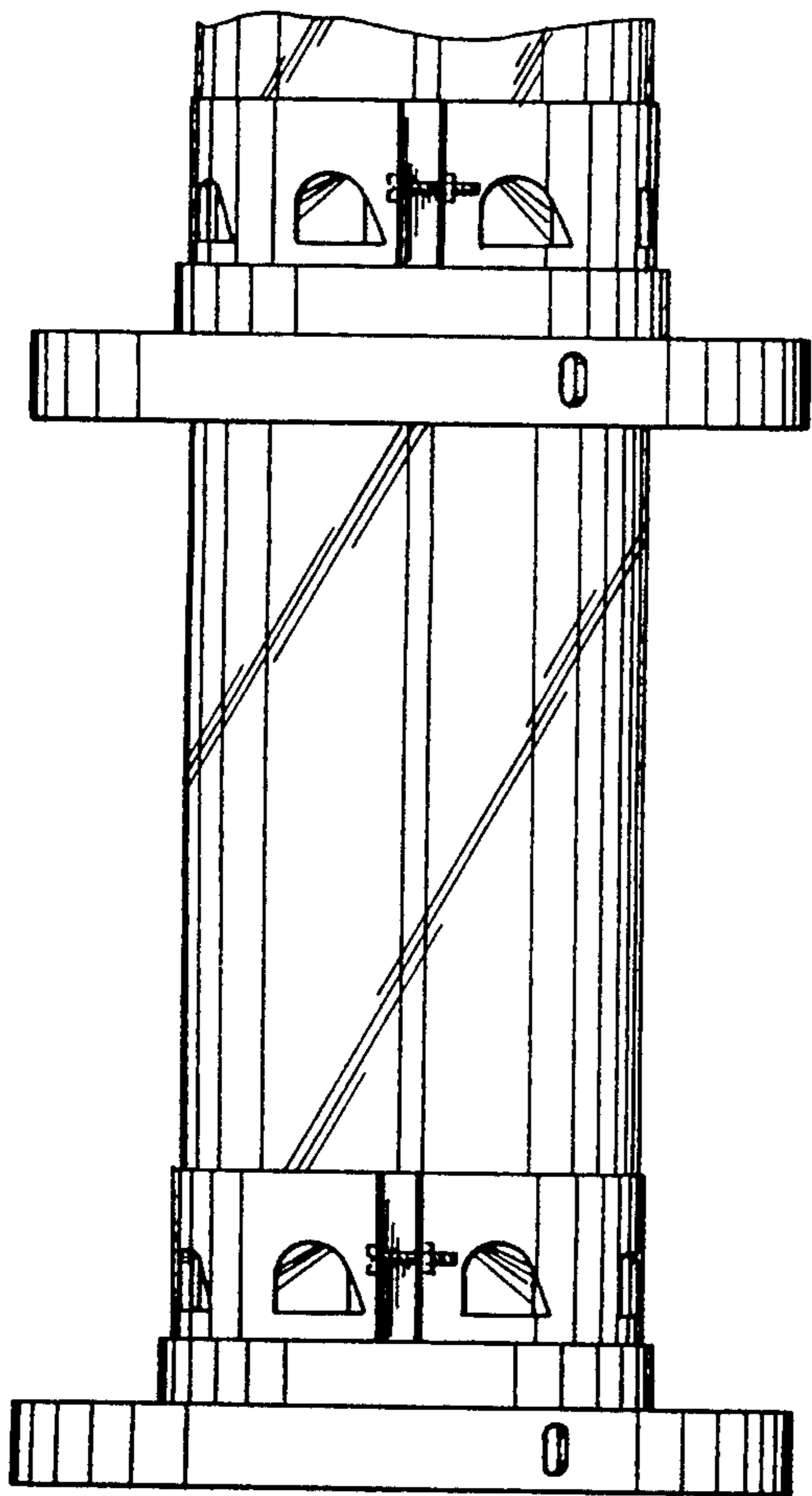


FIG. 3

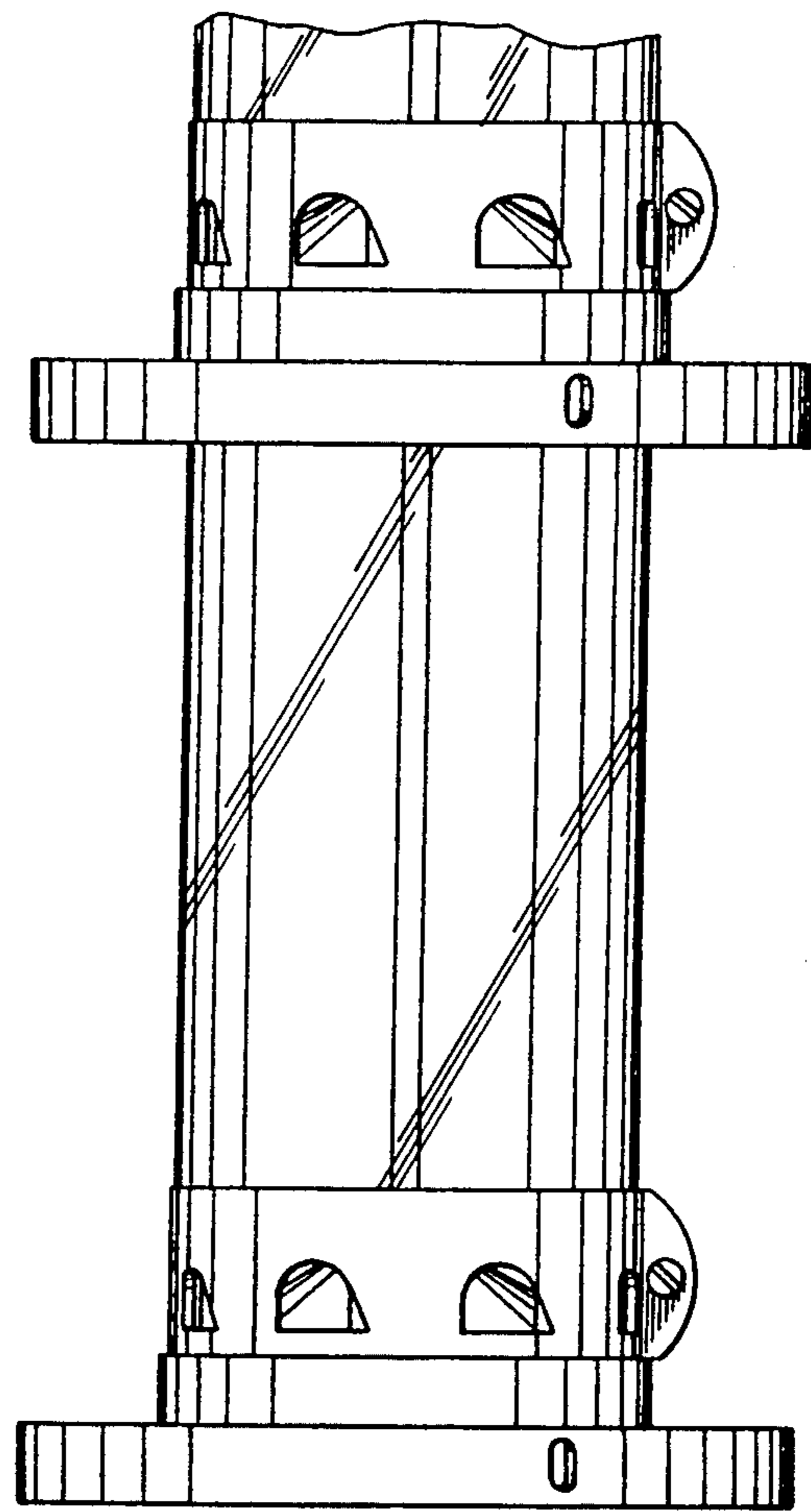


FIG. 2

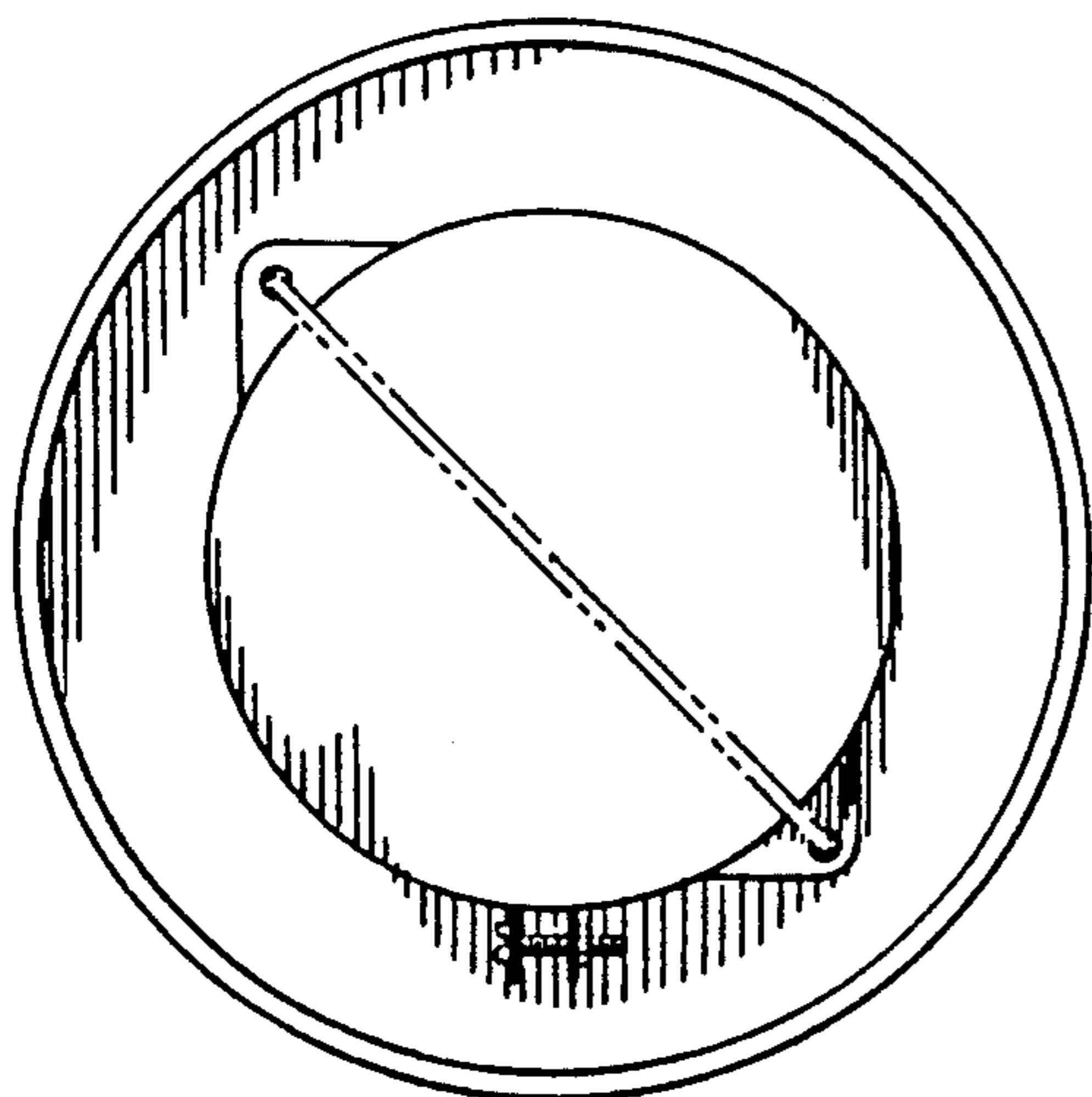


FIG. 4

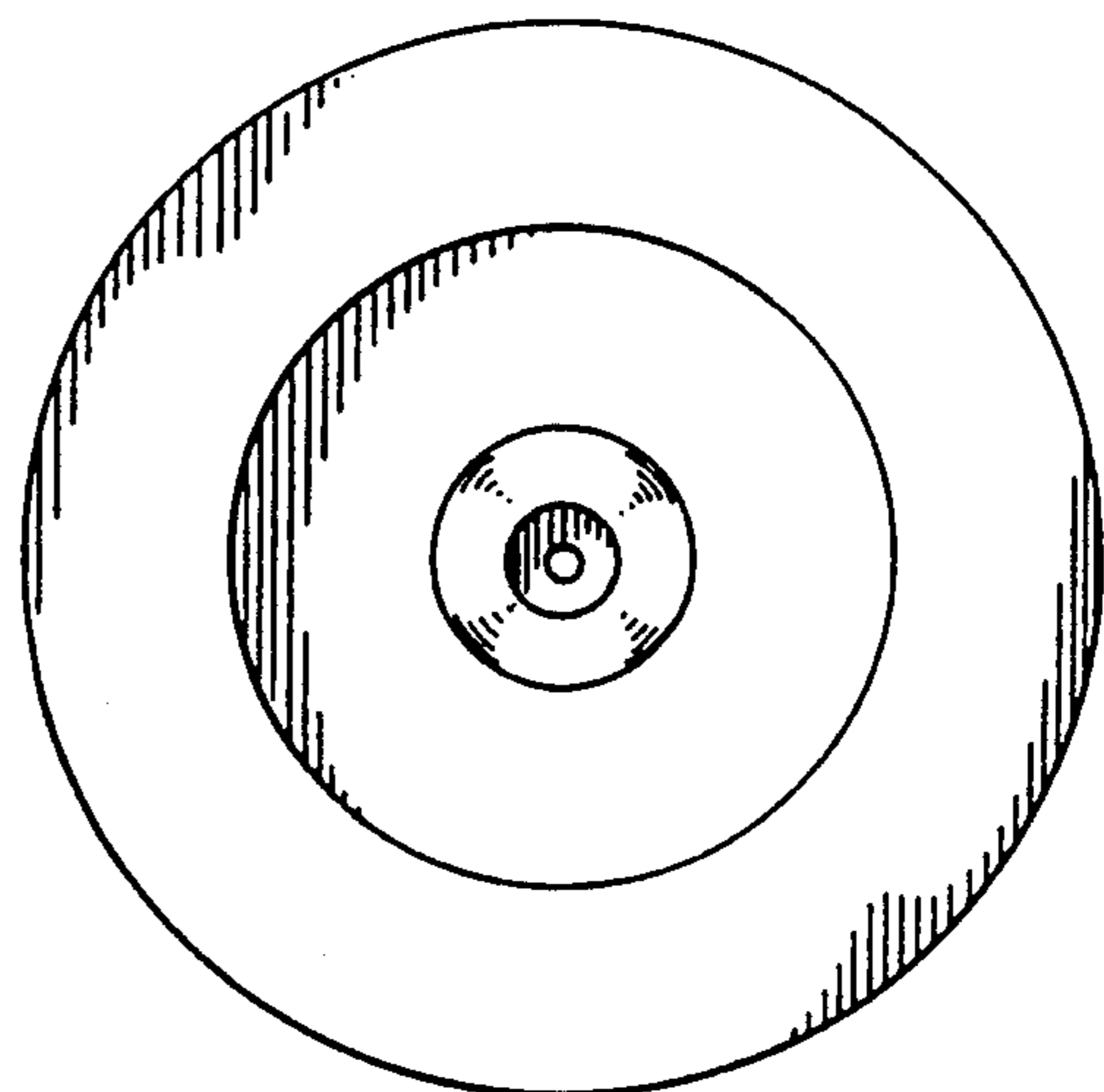


FIG. 5