

- [54] HEADGEAR FOR FACESHIELD
- [75] Inventors: Gary D. Asbury, Kansas City, Kans.;
John W. Lewman, Kansas City, Mo.
- [73] Assignee: Parmelee Industries, Inc., Kansas
City, Mo.
- [**] Term: 14 Years
- [21] Appl. No.: 400,048
- [22] Filed: Aug. 29, 1989
- [52] U.S. Cl. D29/16; D29/6
- [58] Field of Search D29/6, 8, 9, 10, 15,
D29/16, 17, 99; 2/411, 425; 128/143, 206, 24

3,789,428 2/1974 Martin 2/9
4,736,469 4/1988 Boretti D29/12

Primary Examiner—Kay H. Chin
Attorney, Agent, or Firm—Hovey, Williams, Timmons &
Collins

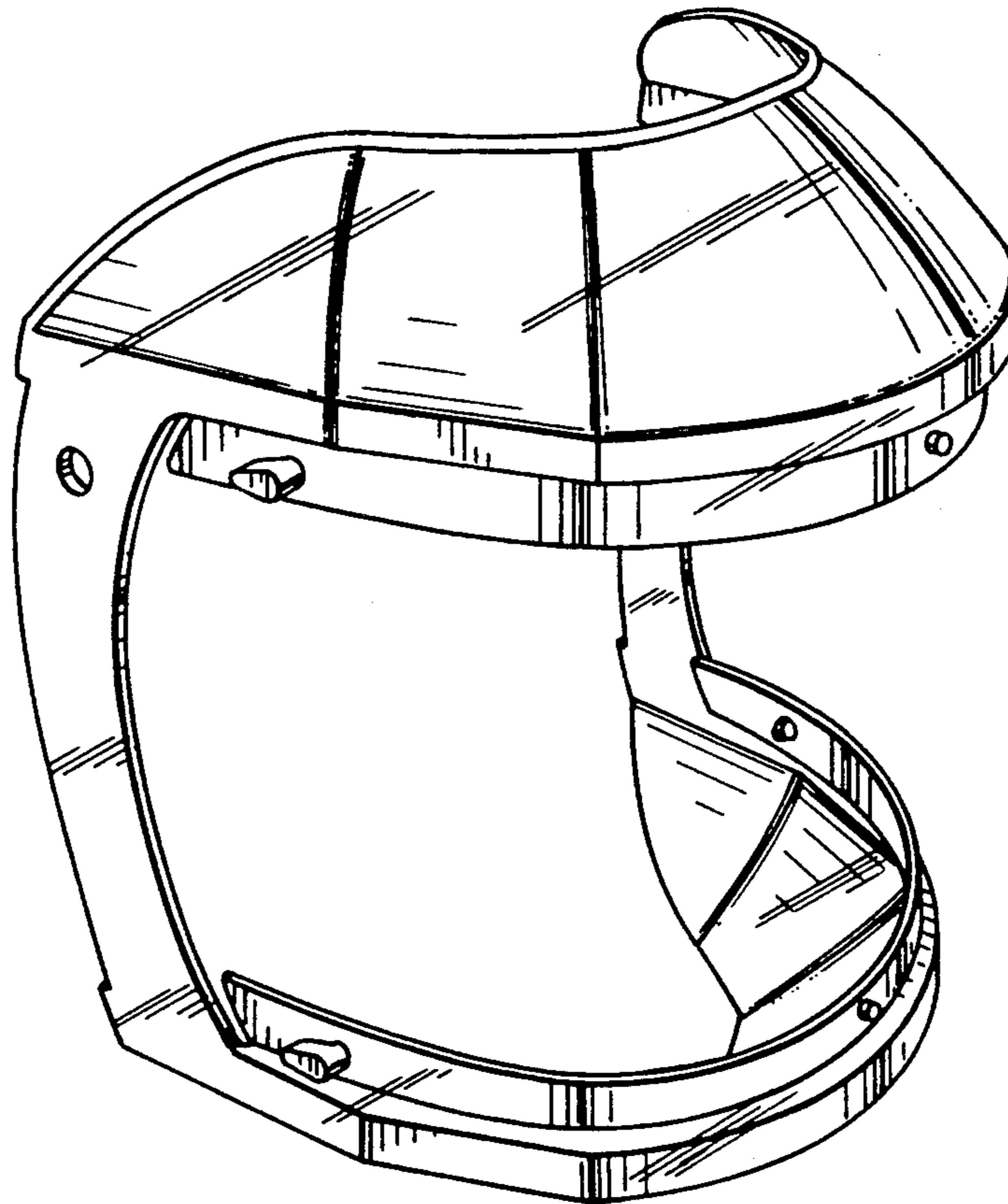
[57] CLAIM

The ornamental design for a headgear for faceshield, as shown and described.

DESCRIPTION

FIG. 1 is a front and right side perspective view of a headgear for faceshield showing our new design;
FIG. 2 is a side elevational view thereof, the opposite side view being a mirror image of that shown, the broken lines are for illustrative purposes only;
FIG. 3 is a top plan view thereof, the bottom plan view being a mirror image of that shown;
FIG. 4 is a front elevational view thereof;
FIG. 5 is a rear elevation view thereof.

- [56] References Cited
- U.S. PATENT DOCUMENTS
- 3,137,295 6/1964 Stansfield 128/143
- 3,521,630 7/1970 Westberg et al. 128/206.24



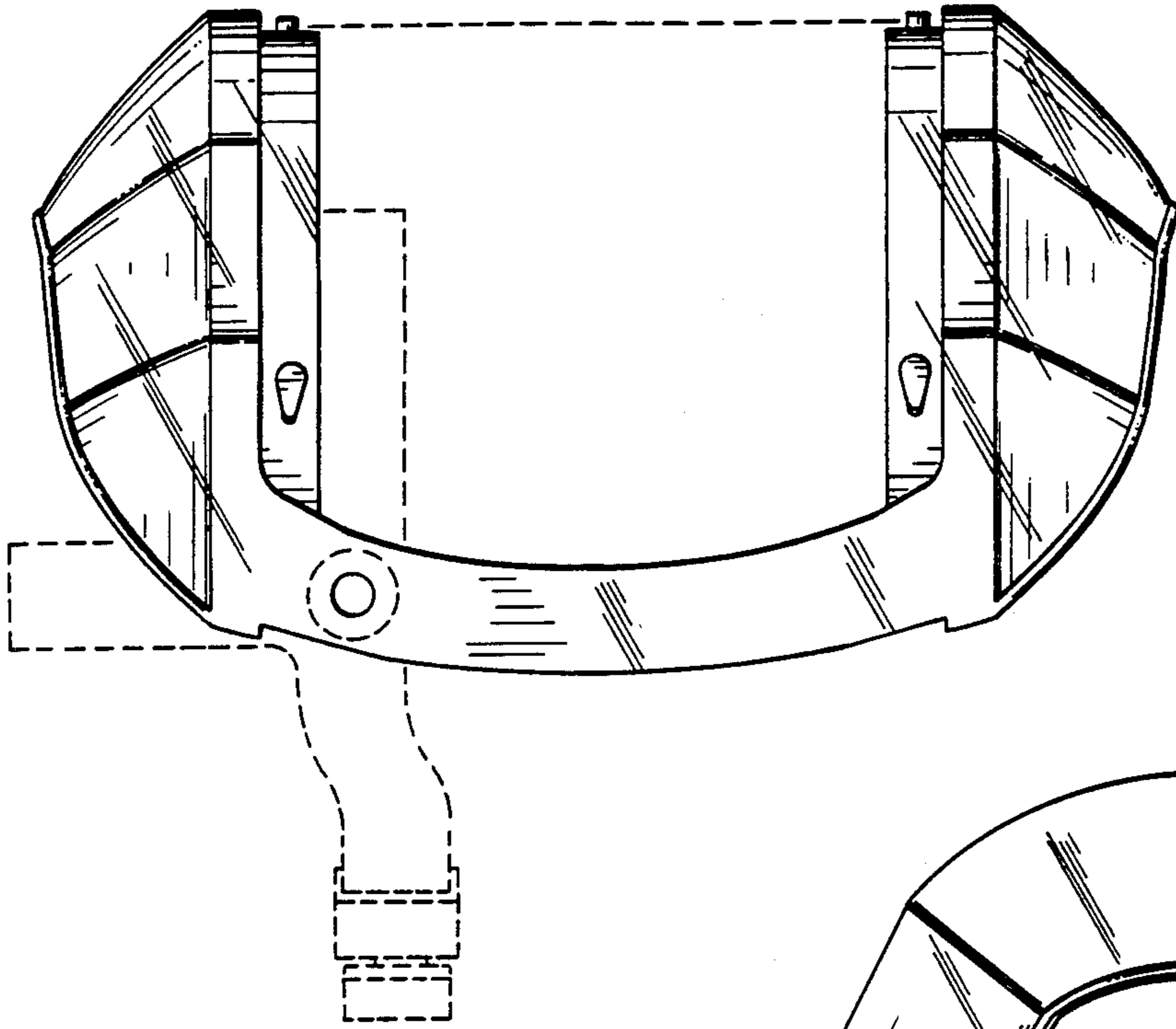


Fig. 2.

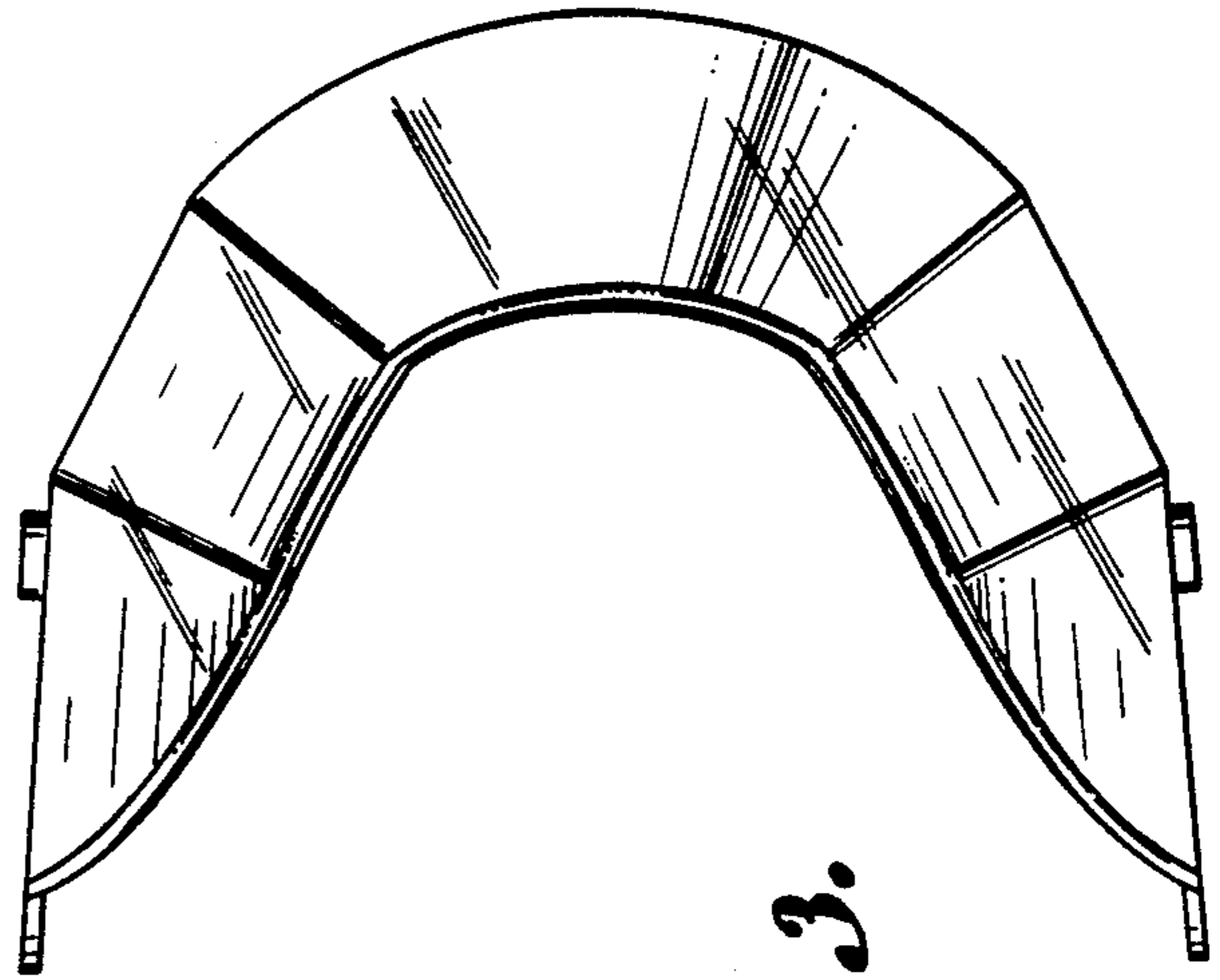


Fig. 3.

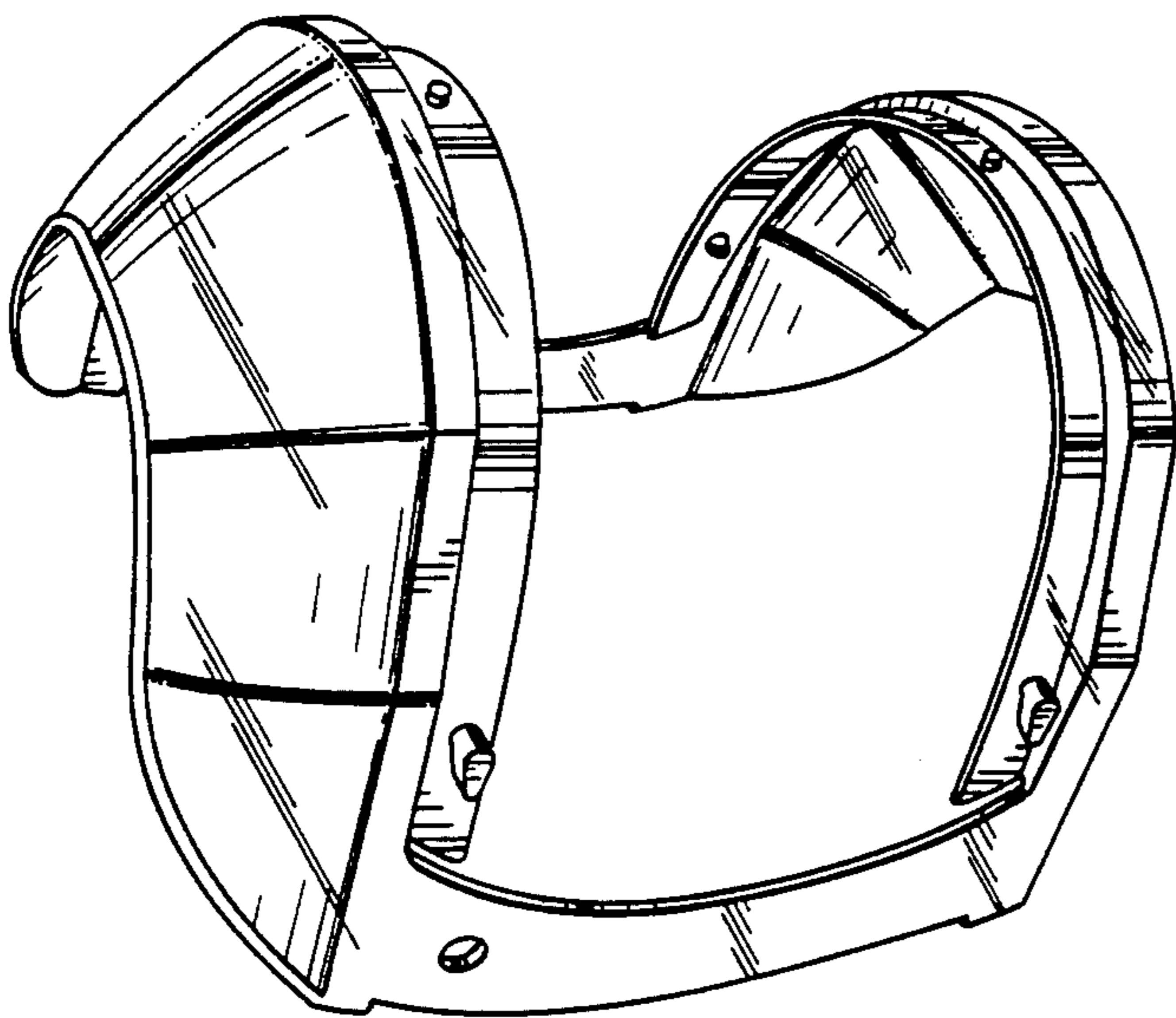


Fig. 1.

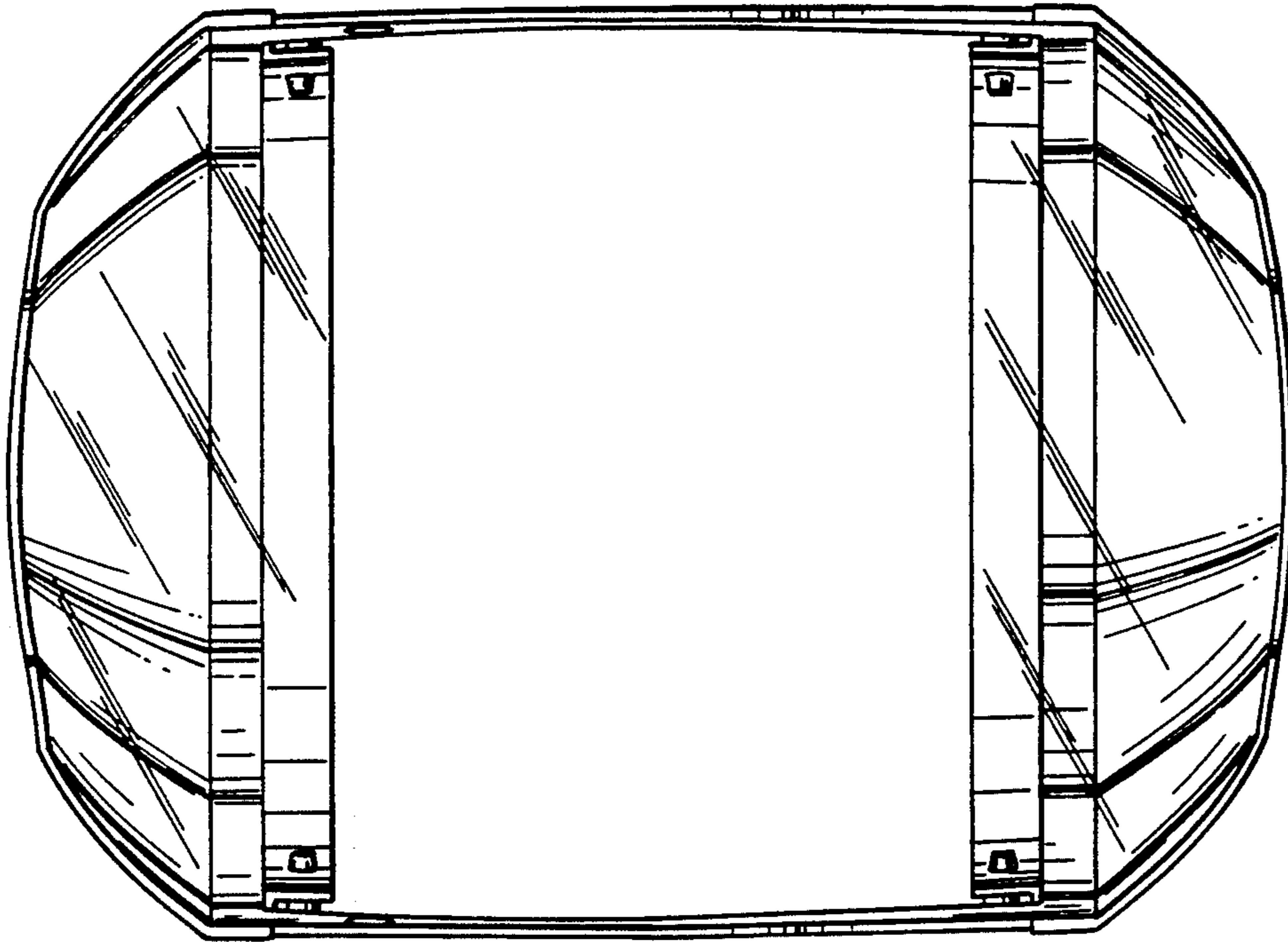


Fig. 5.

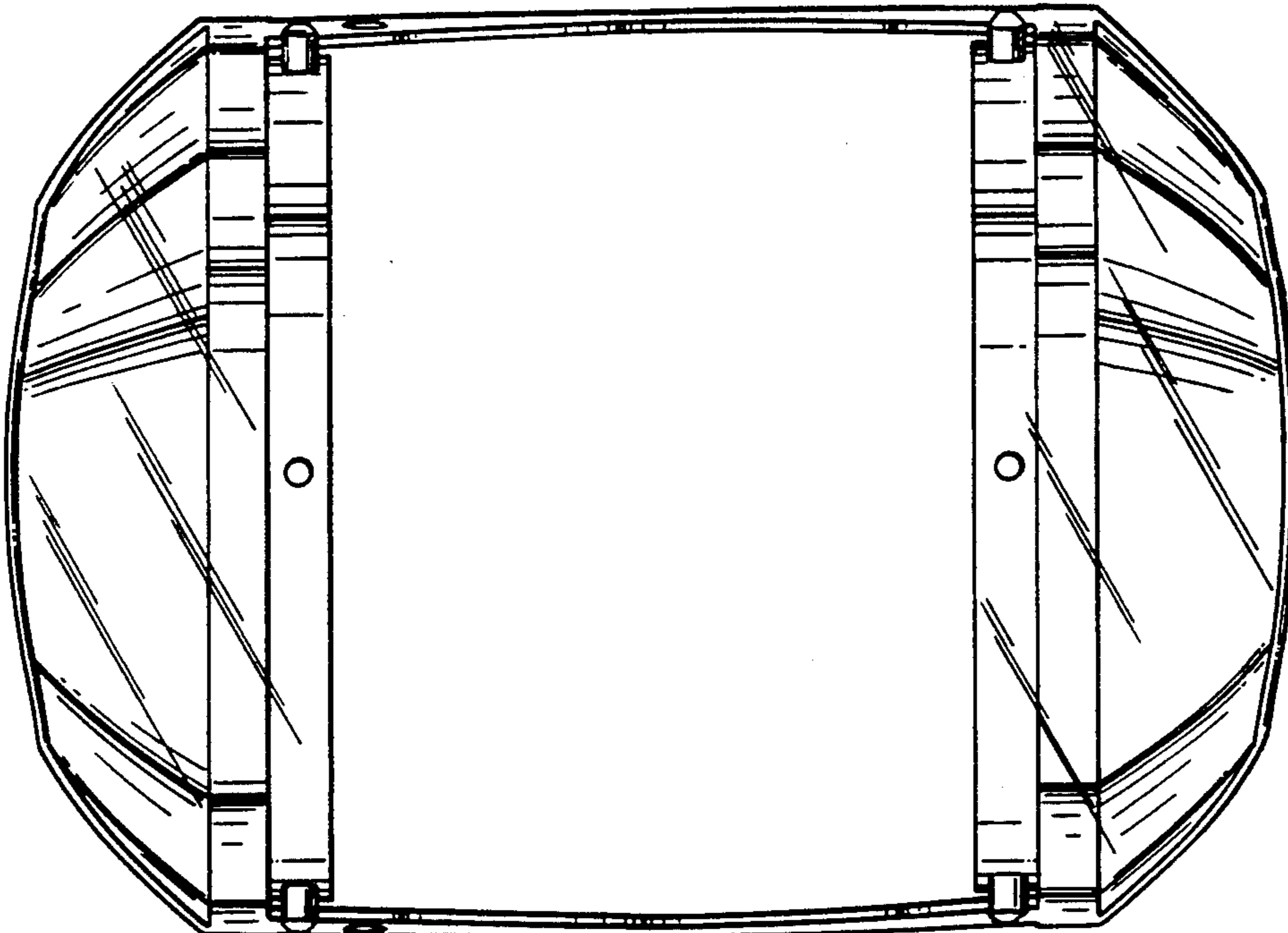


Fig. 4.