

[54] GAS MASK

[76] Inventors: Akira Kumagai, 4-21-24-101, Irifune, Urayasu-shi, Chiba-ken; Hitoshi Kumagai, 4-25-21, Okudo, Katsushika-ku, Tokyo, both of Japan

[**] Term: 14 Years

[21] Appl. No.: 437,499

[22] Filed: Nov. 16, 1989

[52] U.S. Cl. D29/9; D29/7

[58] Field of Search D29/6, 7, 8, 9, 15, D29/17; 128/206.17, 207.11, 206.16, 206.15, 206.12, 206.24

[56] References Cited

U.S. PATENT DOCUMENTS

- D. 181,887 1/1958 Stuart D29/6
- 4,250,877 2/1981 Owens et al. 128/207.11
- 4,677,976 7/1987 Fujinuma et al. 128/206.17

FOREIGN PATENT DOCUMENTS

2201096 8/1988 United Kingdom 128/204.26

Primary Examiner—Kay H. Chin

Attorney, Agent, or Firm—Fleit, Jacobson, Cohn, Price, Holman & Stern

[57] CLAIM

The ornamental design for a gas mask, as shown and described.

DESCRIPTION

FIG. 1 is a front elevational view of a gas mask showing our new design;
 FIG. 2 is a right side elevational view thereof;
 FIG. 3 is a rear elevational view thereof;
 FIG. 4 is a left side elevational view thereof;
 FIG. 5 is a top plan view thereof;
 FIG. 6 is a bottom plan view thereof;
 FIG. 7 is a cross sectional view thereof; and
 FIG. 8 is a top and front perspective view thereof.

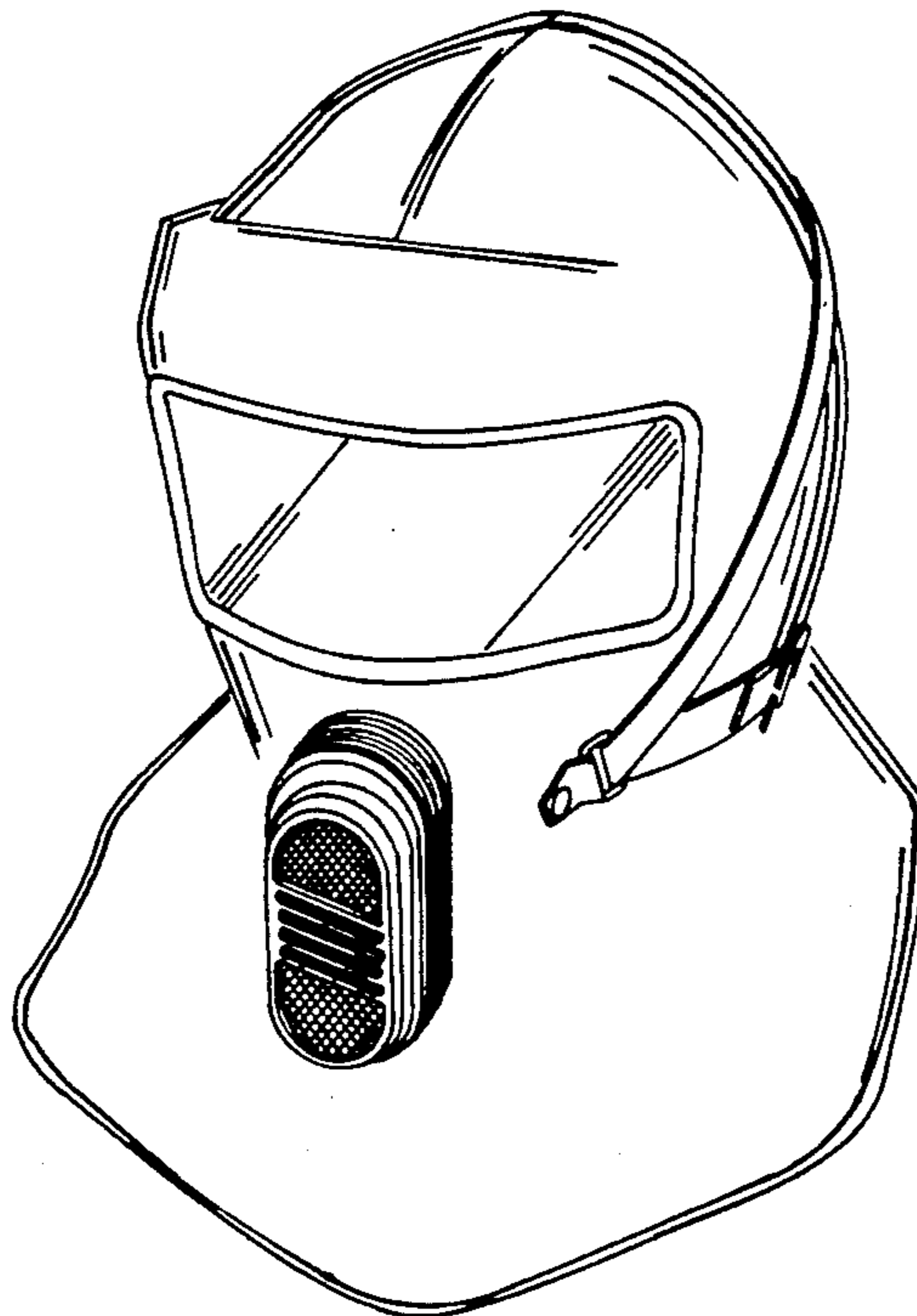


FIG. 1

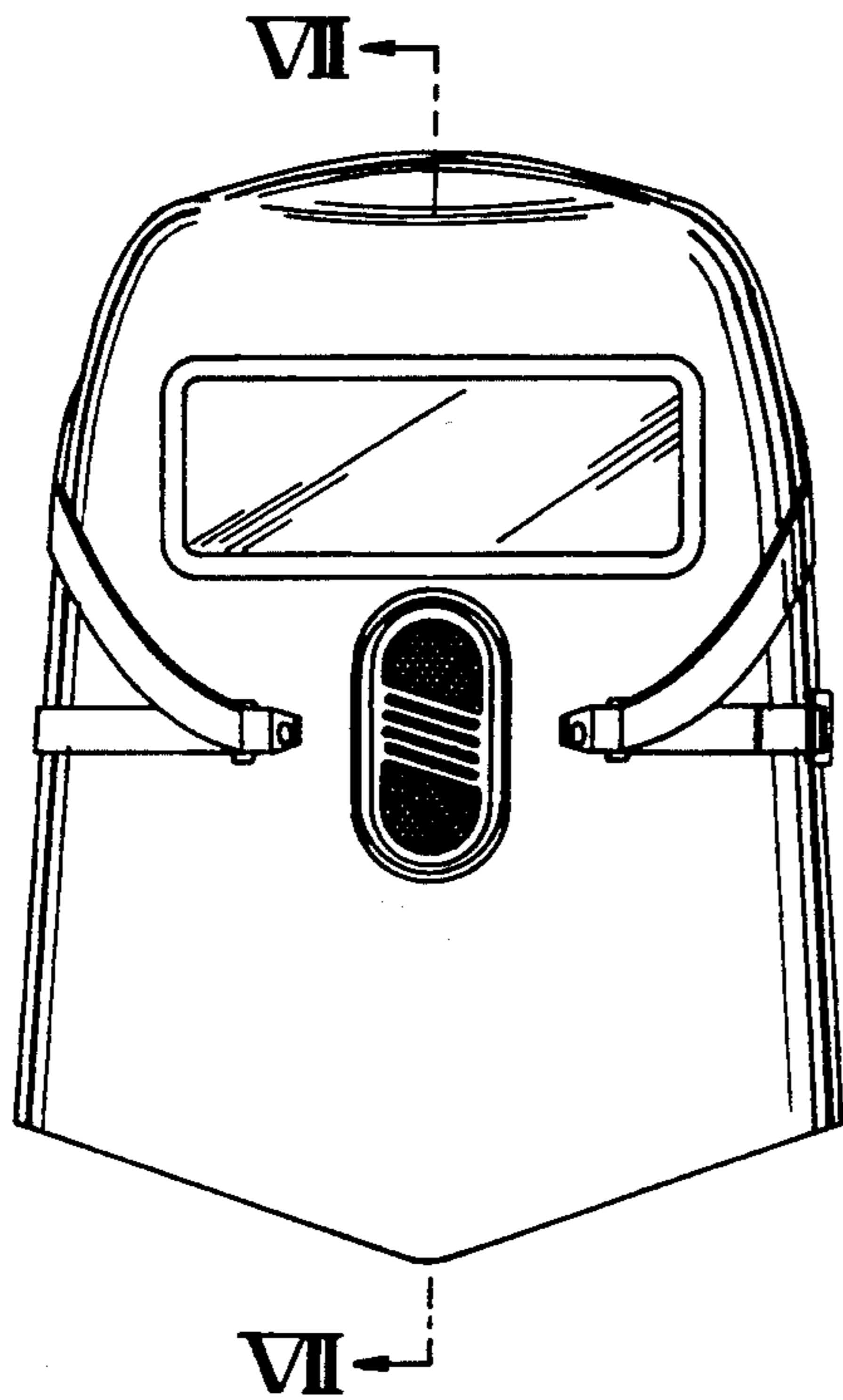


FIG. 2

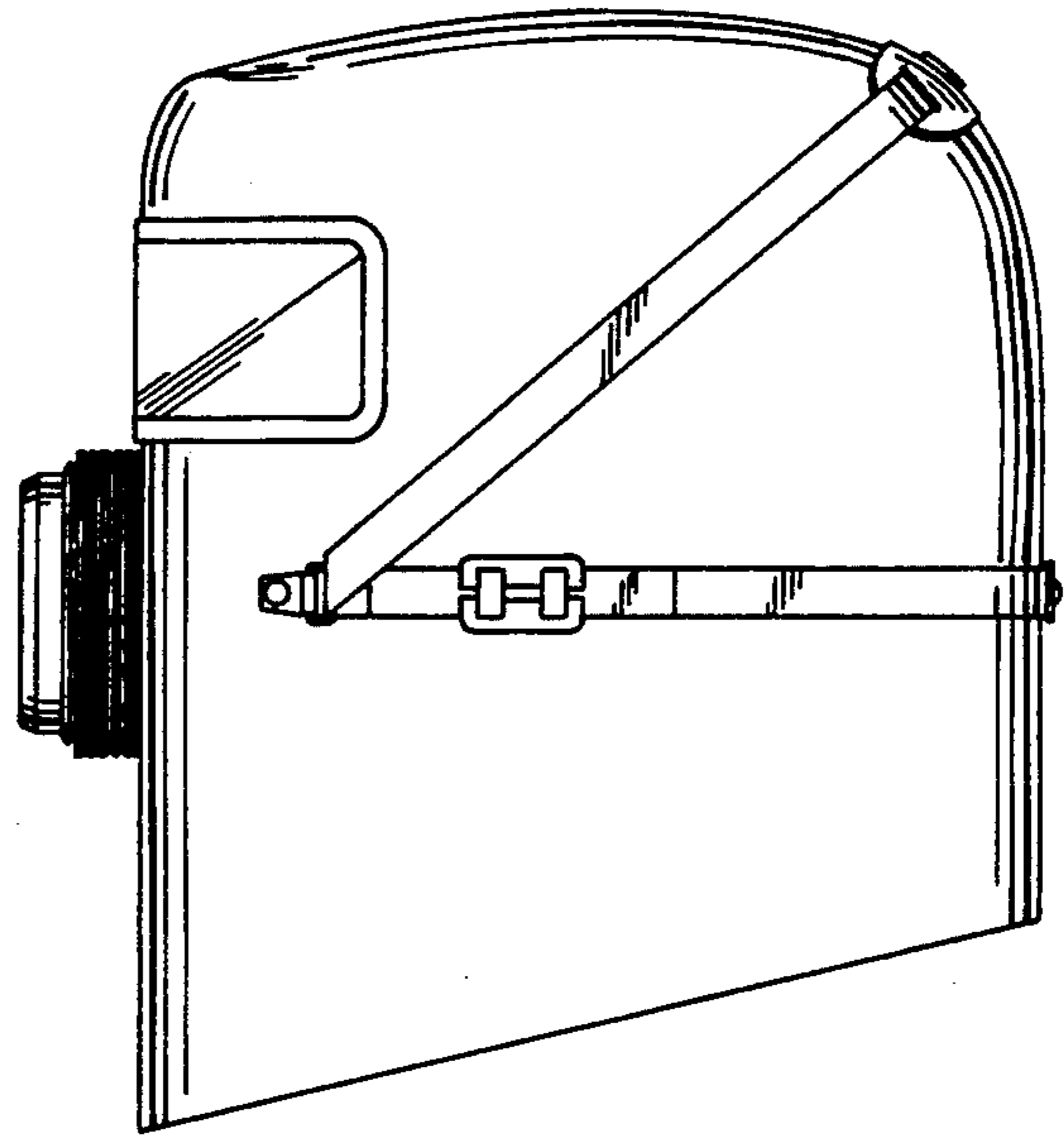


FIG. 3

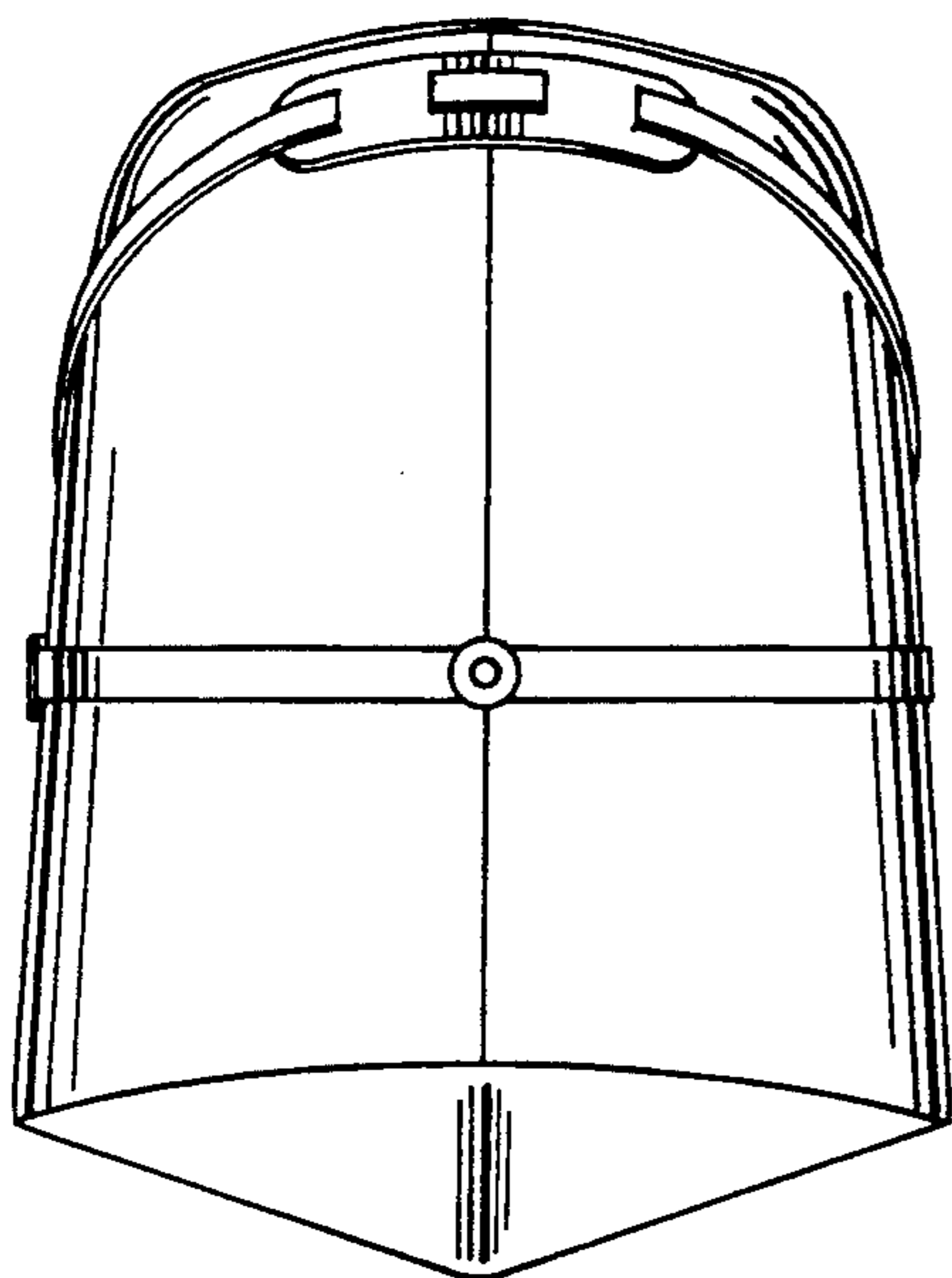


FIG. 4

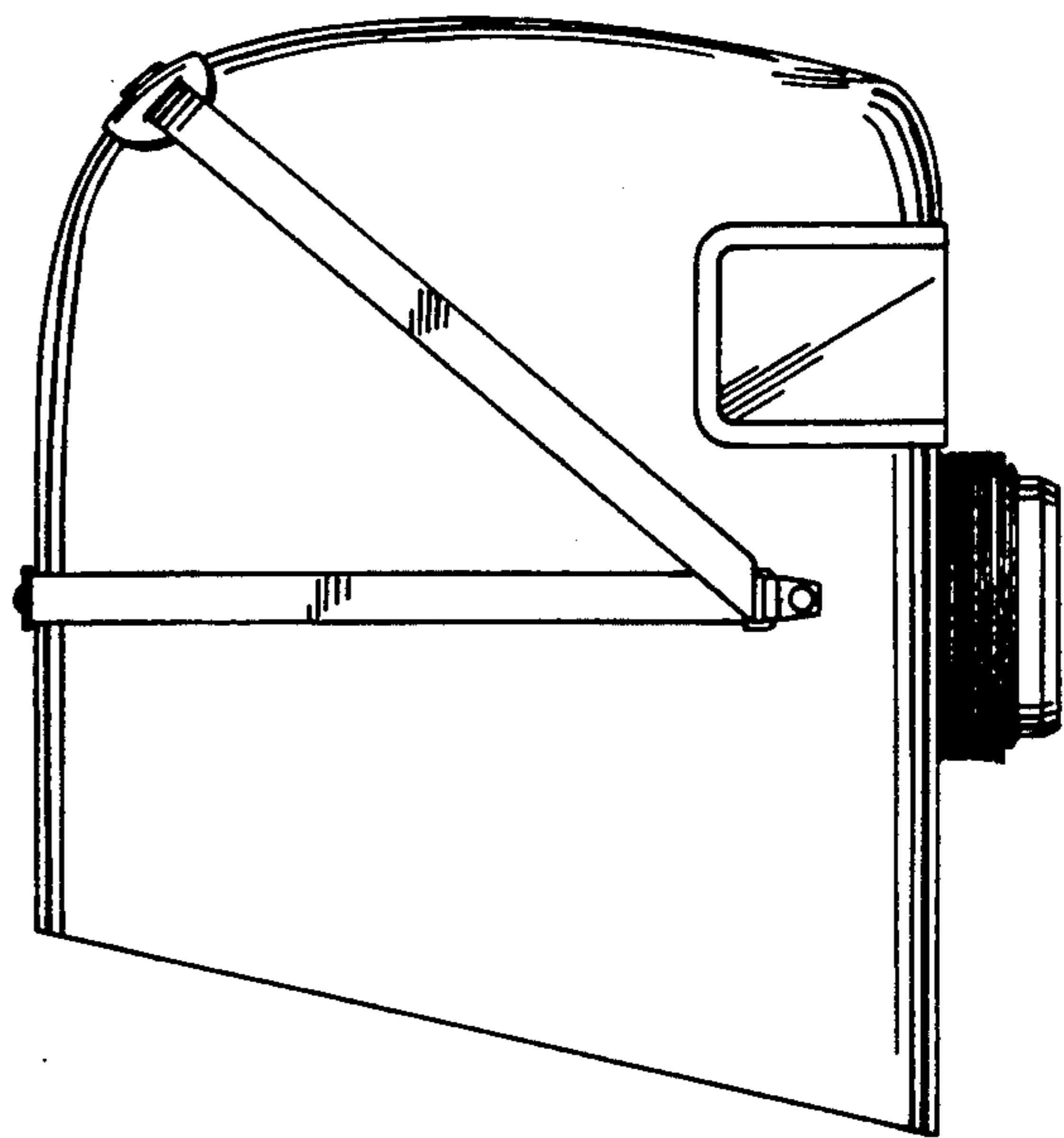


FIG. 5

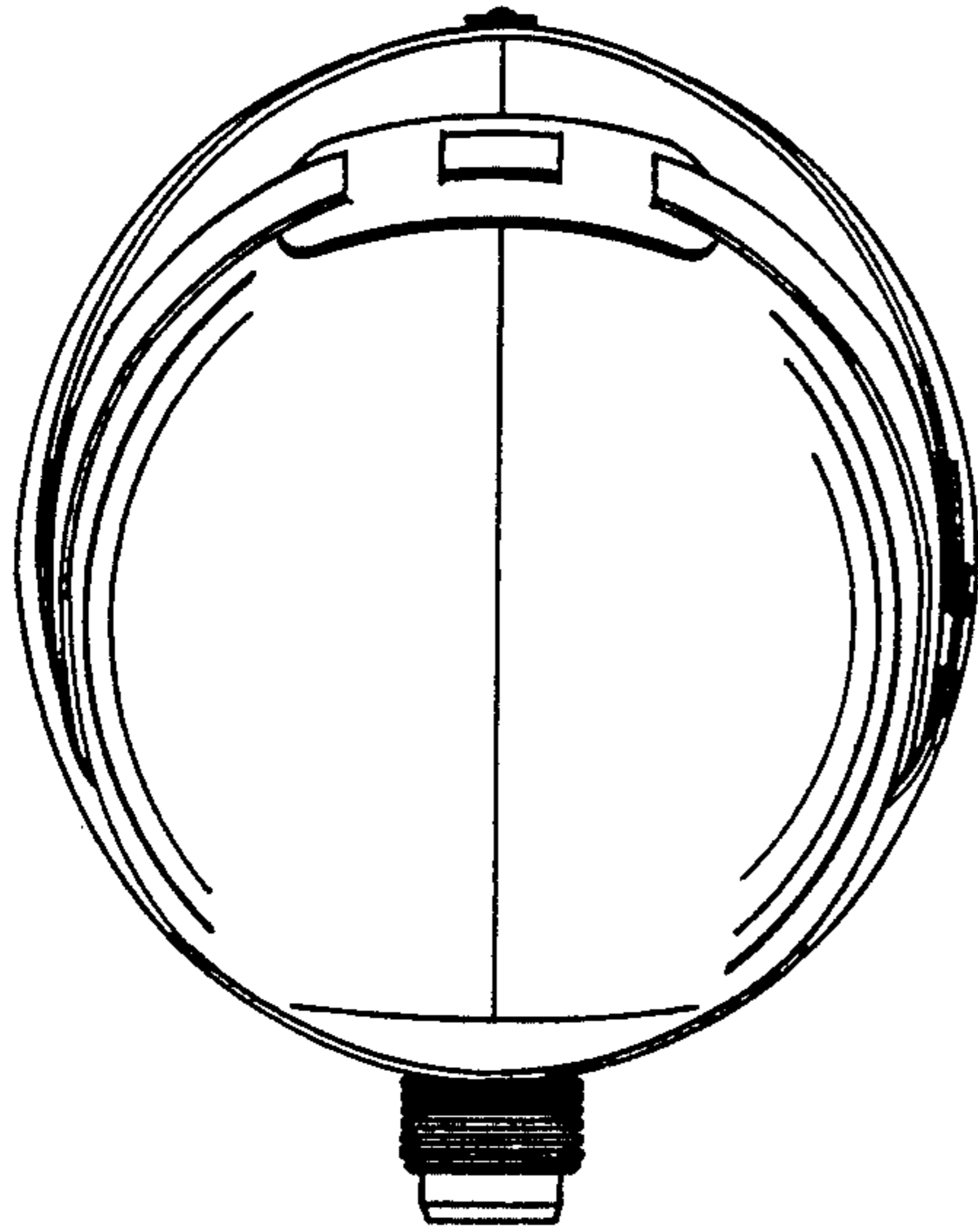


FIG. 6

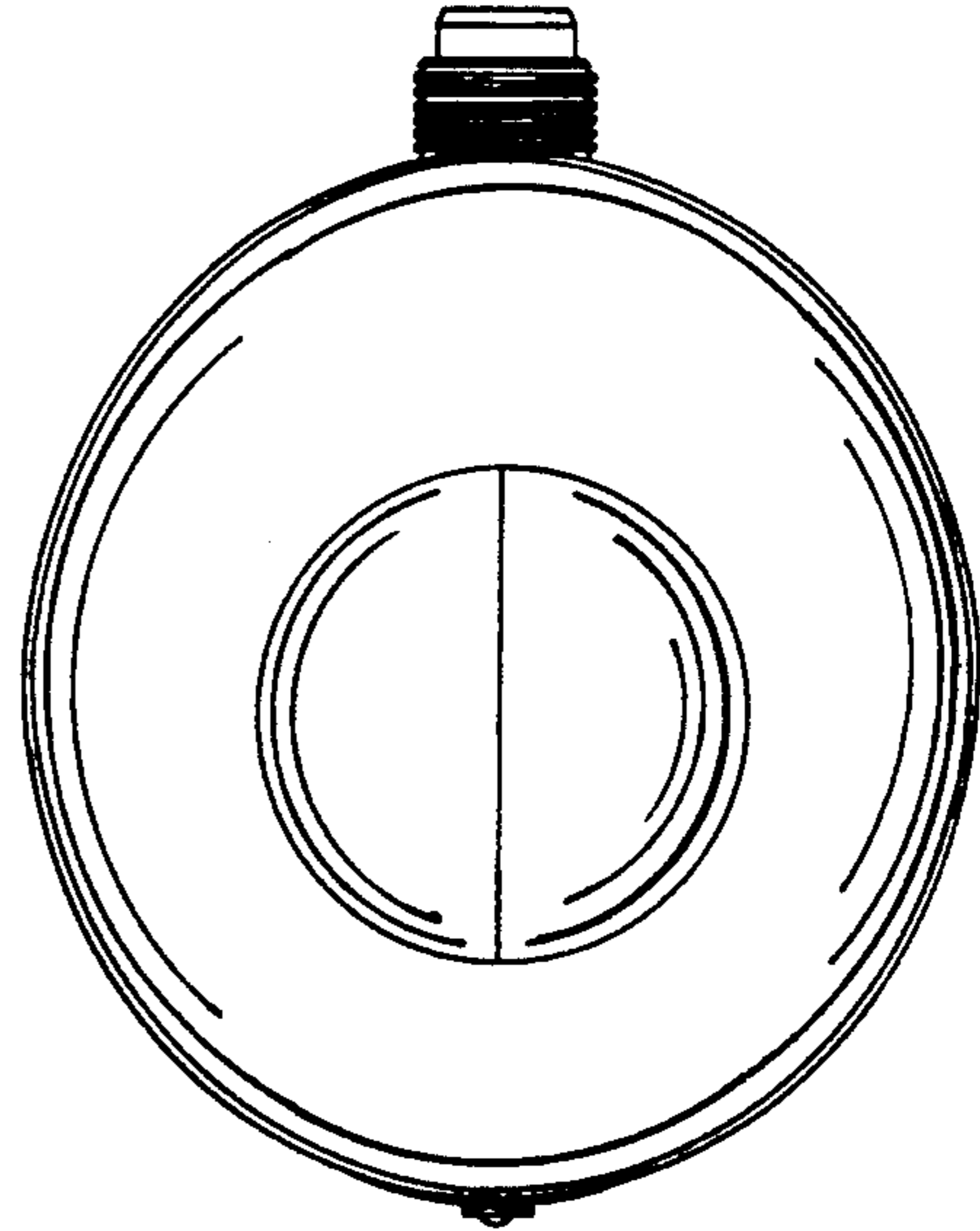


FIG. 7

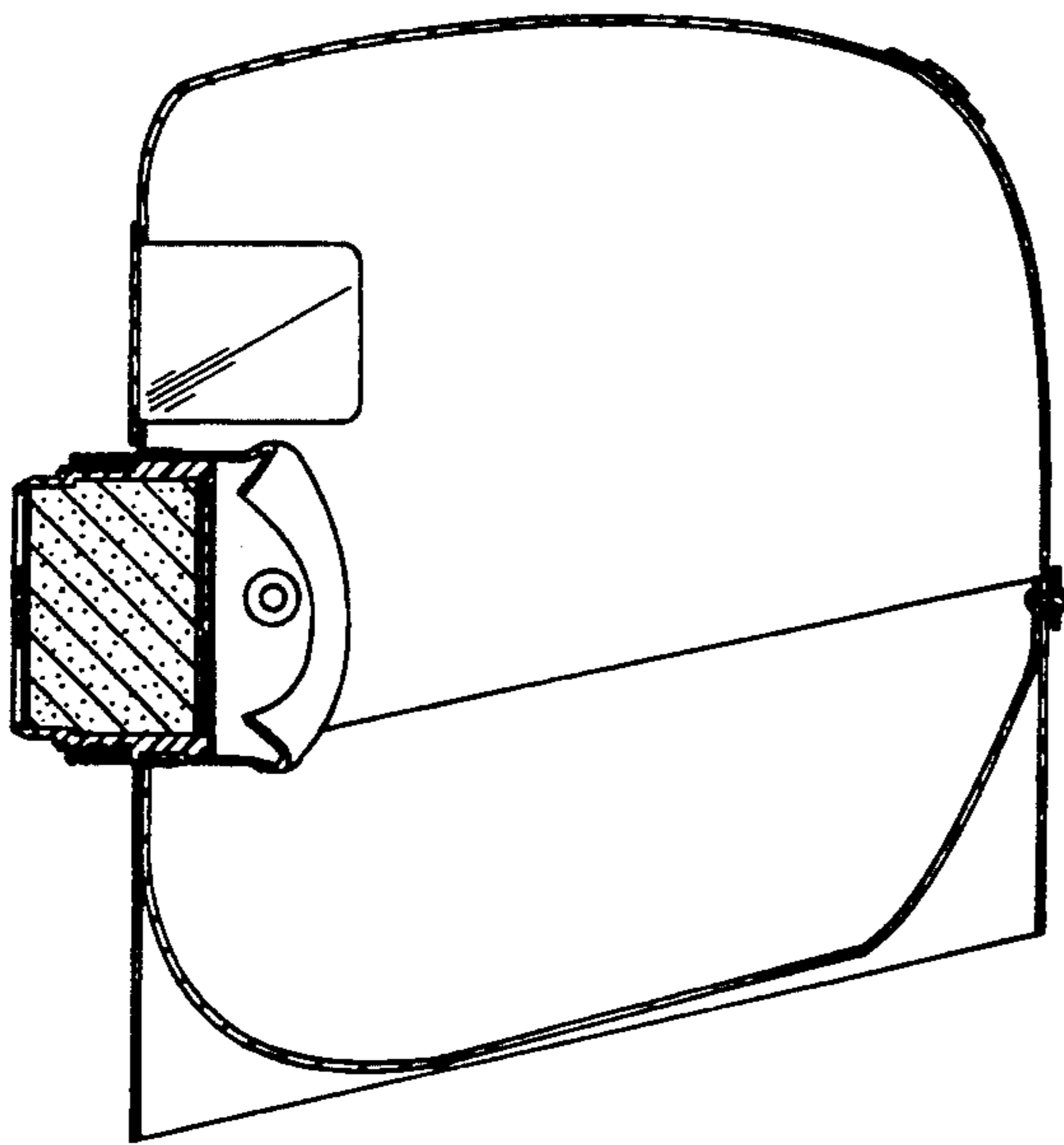


FIG. 8

