

[54] WINDOW MOUNTED ELECTRIC CANDLE OR SIMILAR ARTICLE

[76] Inventor: Andrew A. Boschetto, 39 Wagon La., Cherry Hill, N.J. 08002

[**] Term: 14 Years

[21] Appl. No.: 447,710

[22] Filed: Dec. 8, 1989

[52] U.S. Cl. D26/73; D26/9; D26/96

[58] Field of Search 362/396, 161, 162, 810, 362/392; D26/6, 9-23; 431/288-297, 125

[56] References Cited

U.S. PATENT DOCUMENTS

D. 204,898	5/1966	Gross	D26/6 X
D. 261,179	10/1981	Alley, Sr.	D26/9
4,392,191	7/1983	White, Sr.	362/392
4,468,721	8/1984	Vandrilla	362/392

OTHER PUBLICATIONS

Gifts and Decorative Accessories, Apr. 1987, p. 76, Window Frame Mounted Electric Candle.

Primary Examiner—Susan J. Lucas
Attorney, Agent, or Firm—Longacre & White

[57] CLAIM

The ornamental design for a window mounted electric candle or similar article, substantially as shown and described.

DESCRIPTION

FIG. 1 is a front elevational view of a window mounted electric candle or similar article showing my new design;
 FIG. 2 is a rear elevational view thereof;
 FIG. 3 is a right side elevational view thereof, the left side being a mirror image;
 FIG. 4 is a top plan view thereof;
 FIG. 5 is a bottom plan view thereof;
 FIG. 6 is a top perspective view thereof on a reduced scale, the window frame, electric bulb, and electric cord being shown in broken lines for illustrative purposes only.

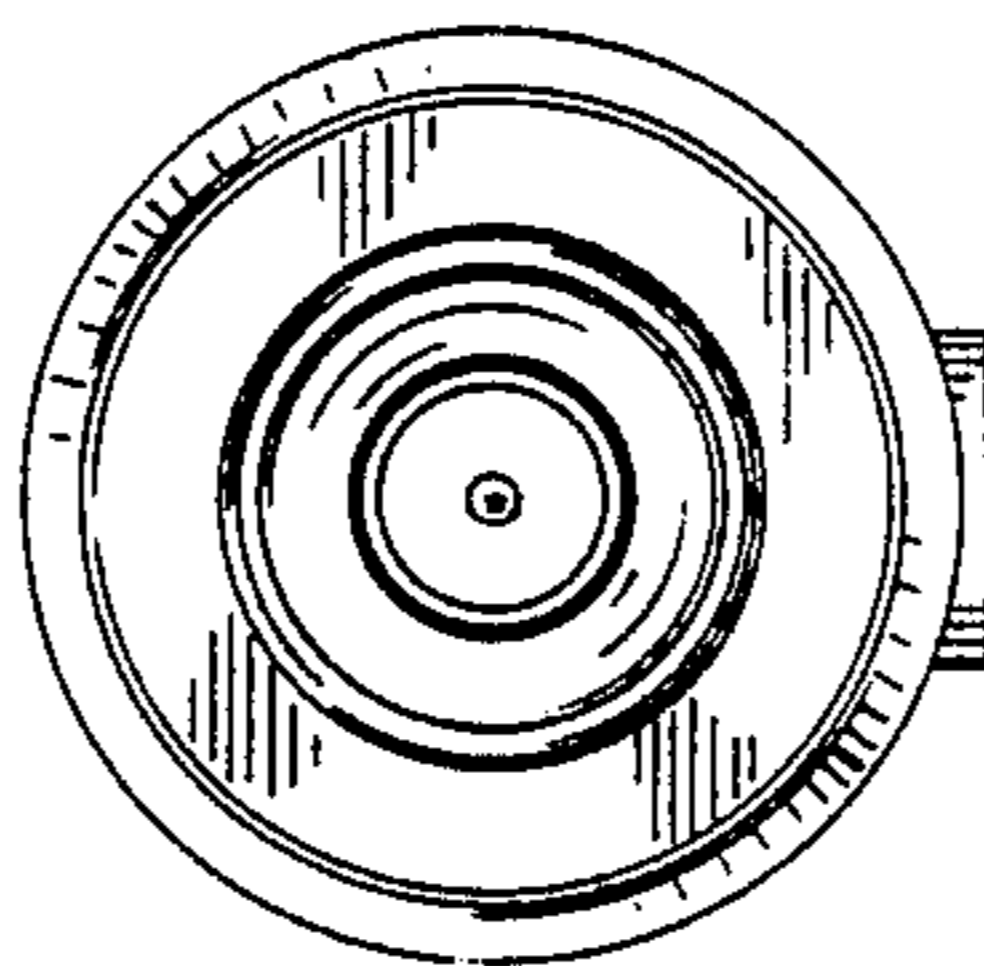
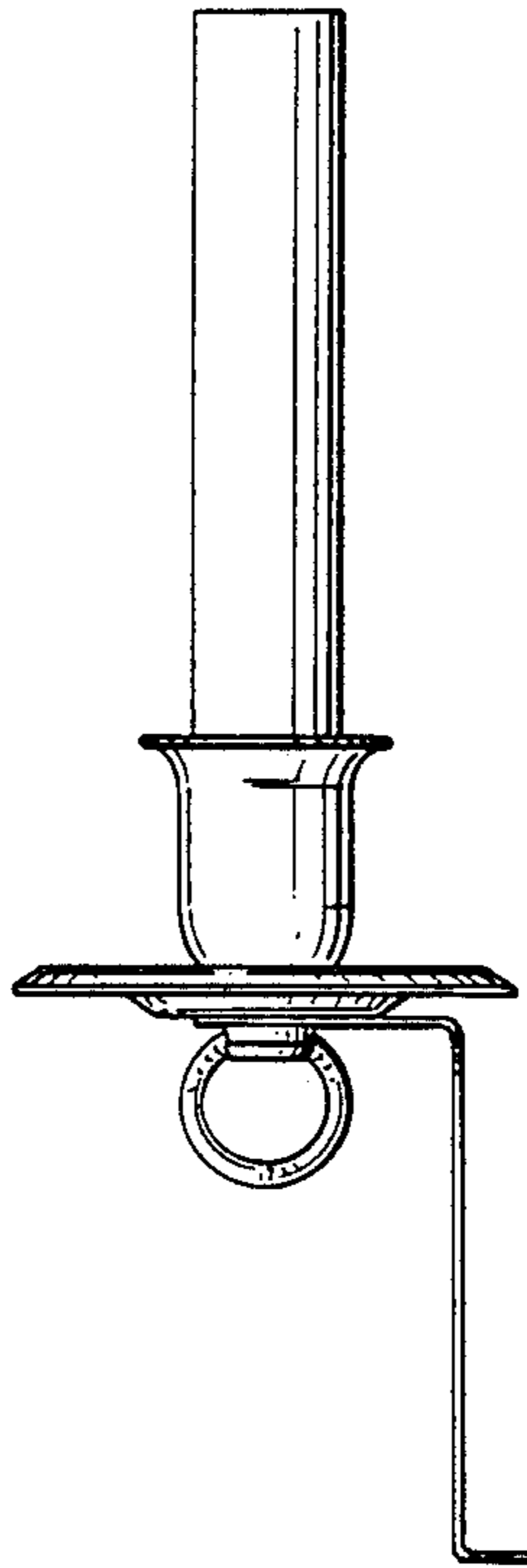


Fig. 3

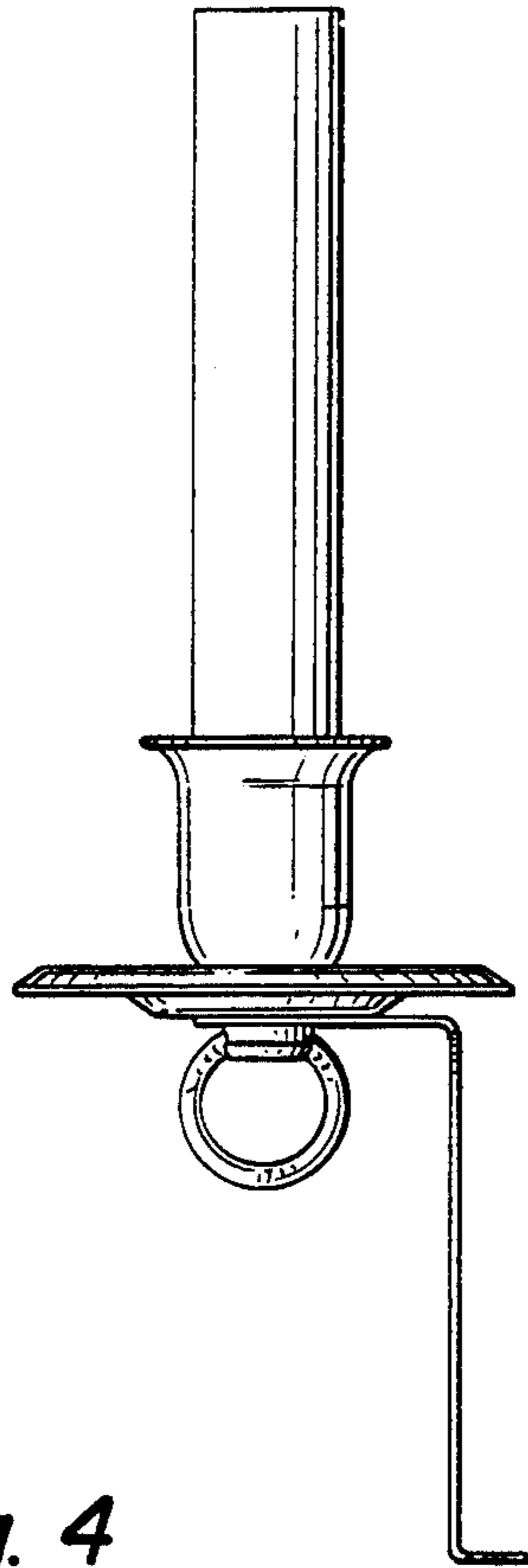


Fig. 2

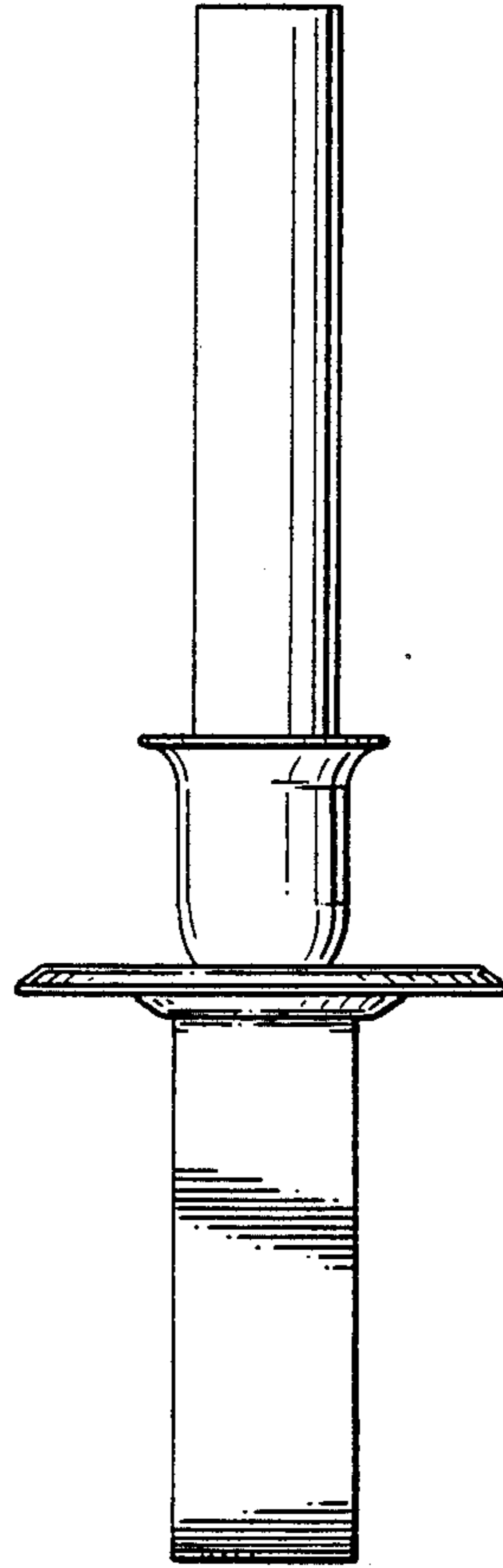


Fig. 1

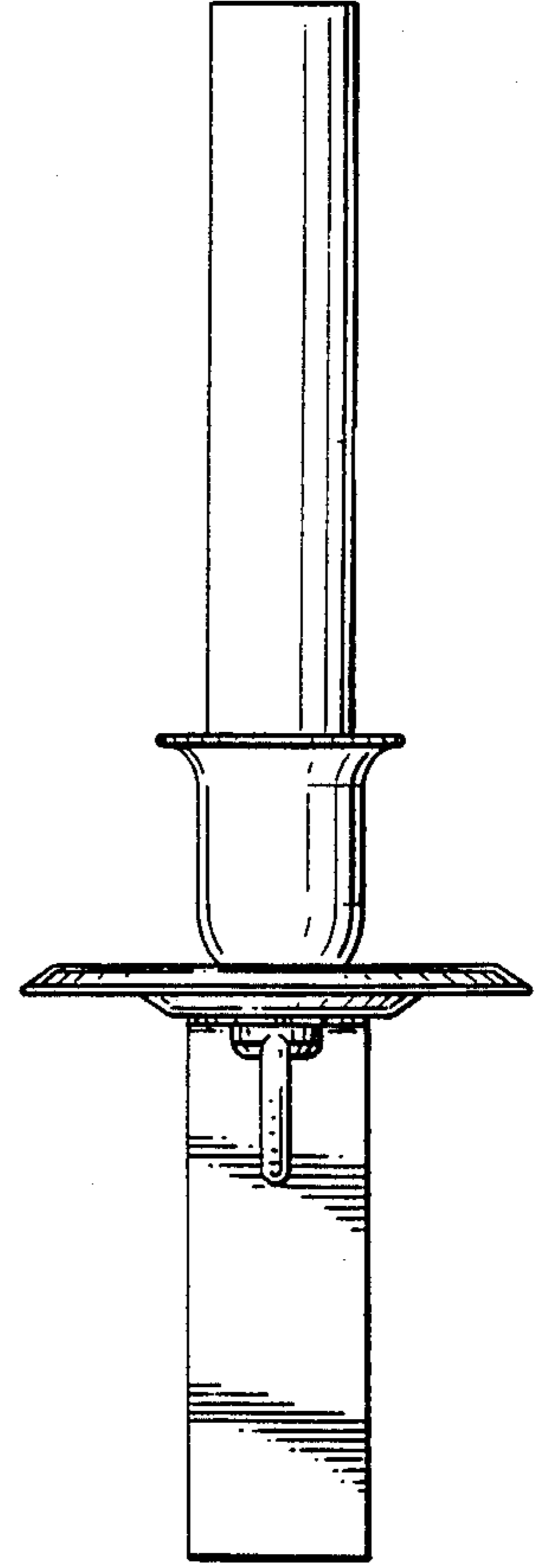


Fig. 4

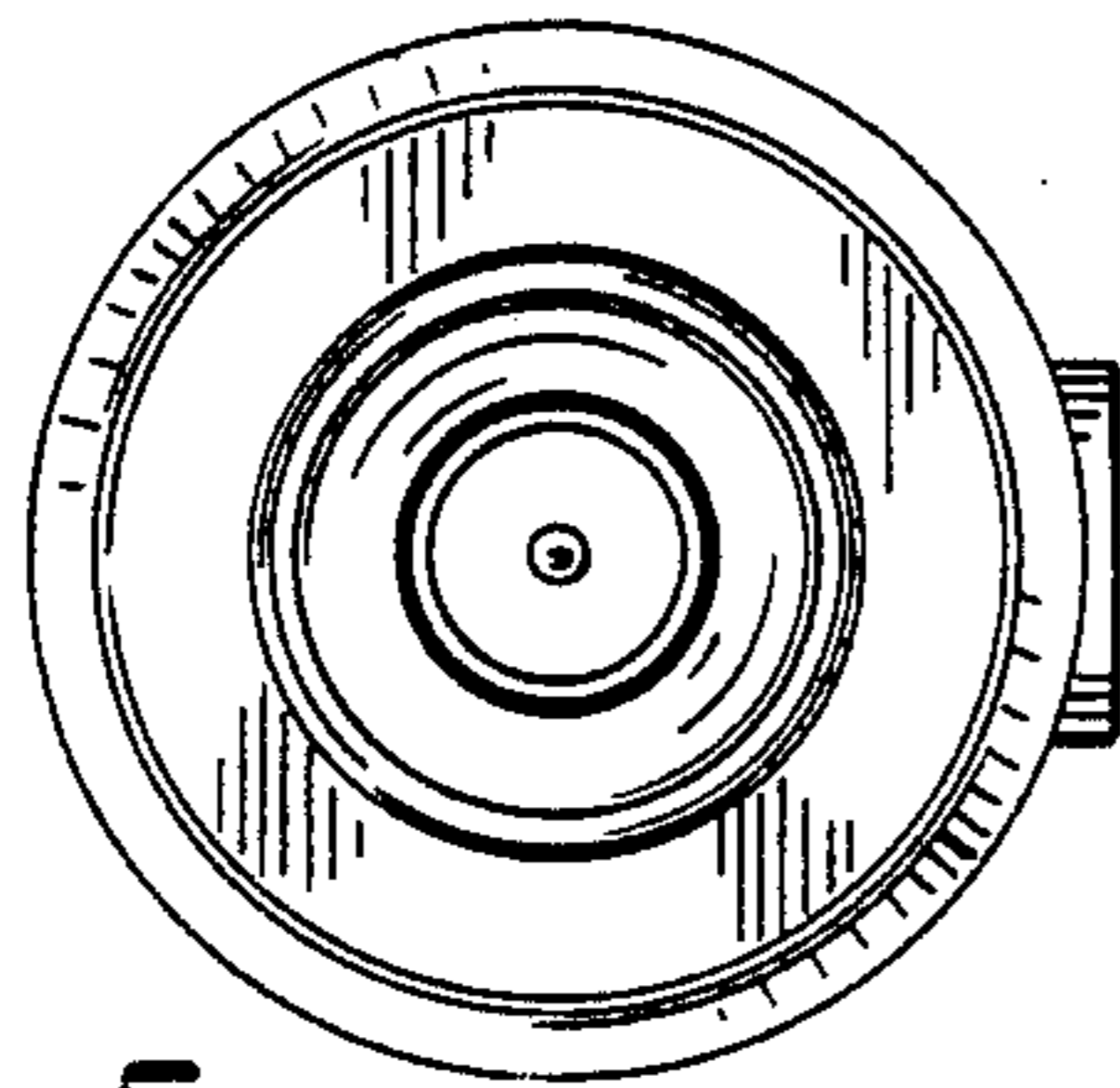


Fig. 5

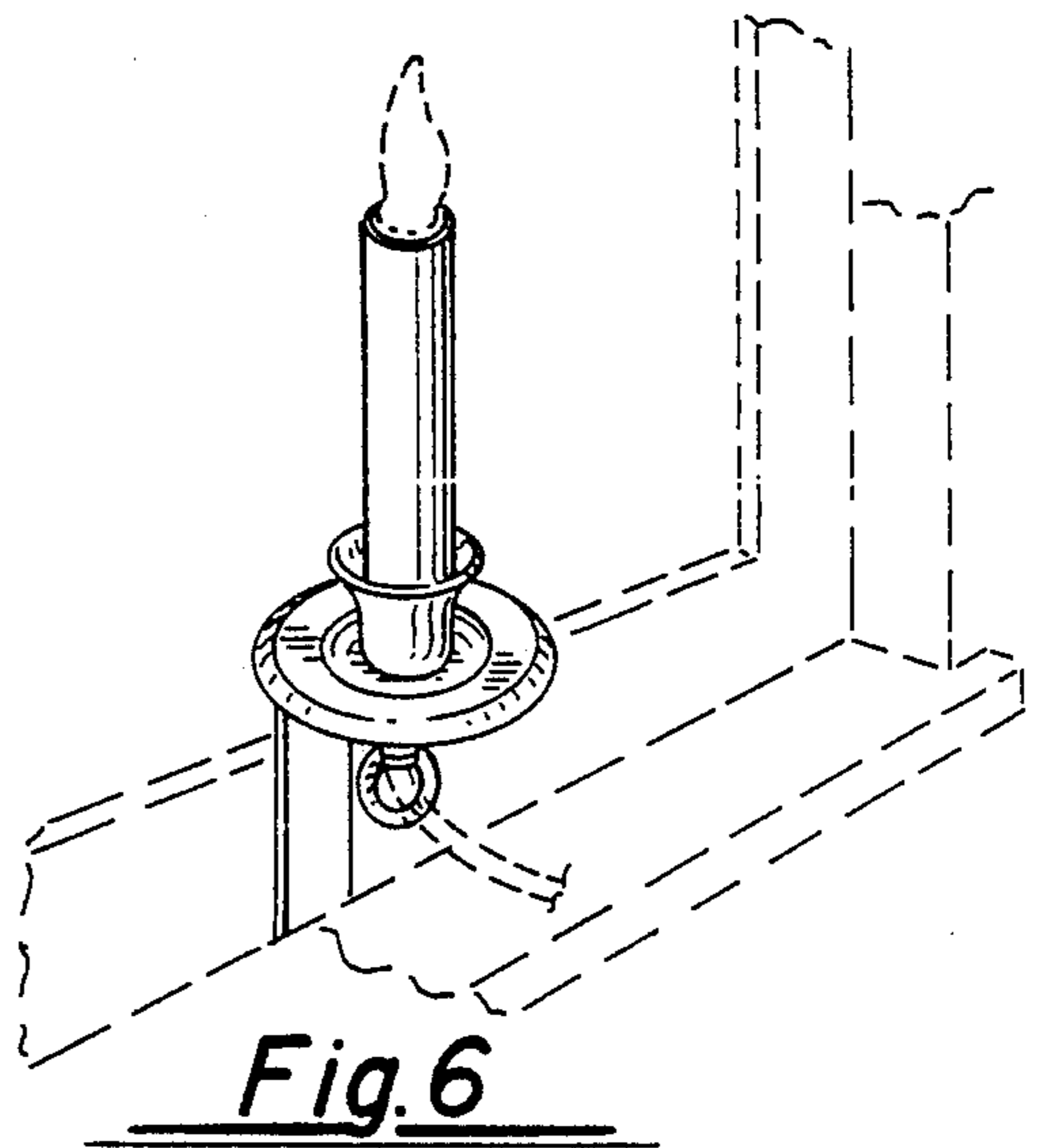
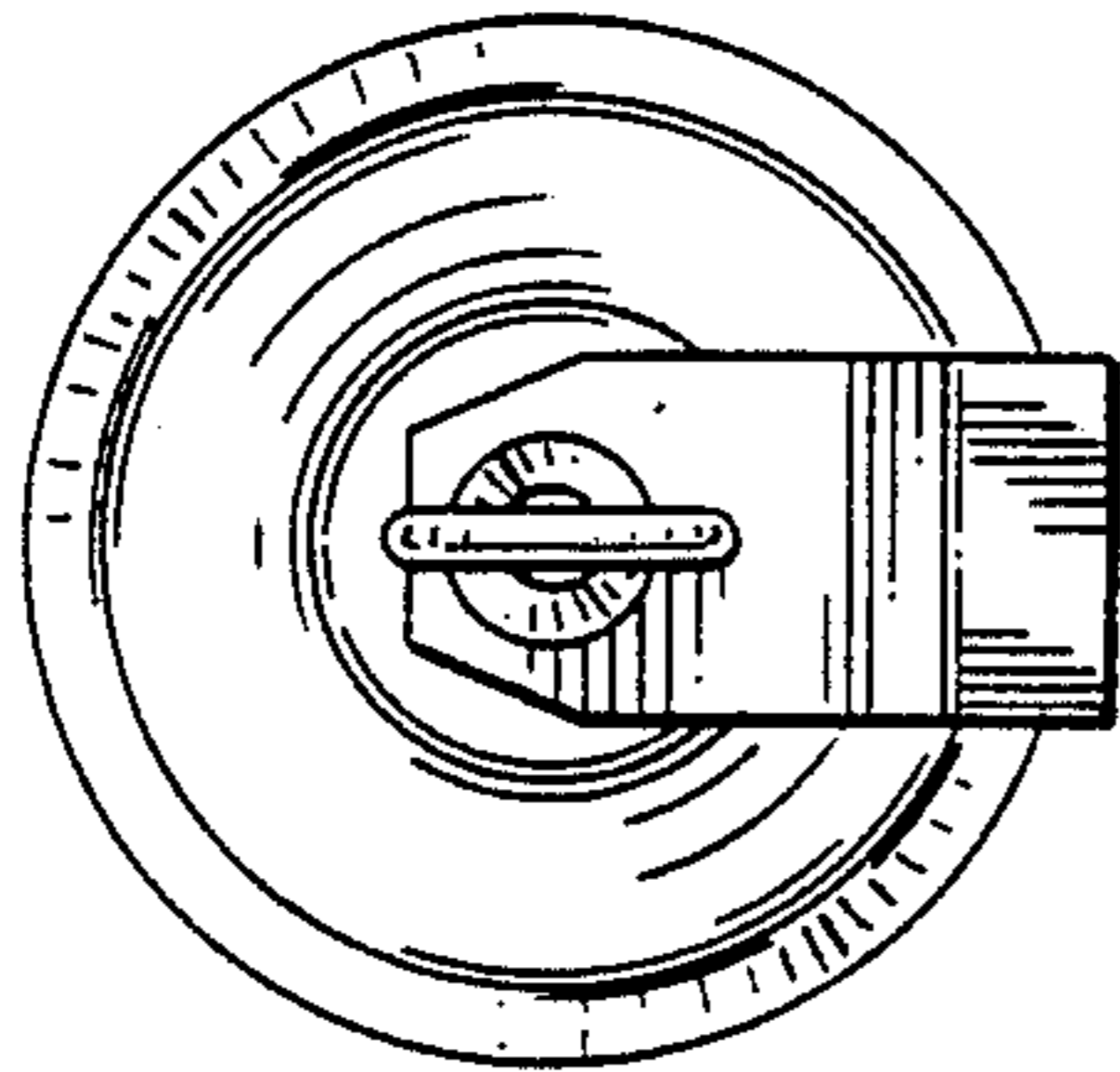


Fig. 6