

[54] DENTAL SYRINGE TIP

[75] Inventor: Melvin Drumm, Orange, Conn.

[73] Assignee: Centrix, Inc., Milford, Conn.

[**] Term: 14 Years

[21] Appl. No.: 351,817

[22] Filed: May 15, 1989

[52] U.S. Cl. D24/114

[58] Field of Search D24/4, 5, 10-16;
433/89-90, 80, 81; 604/38, 121, 218

[56] References Cited

U.S. PATENT DOCUMENTS

D. 224,655	8/1972	Dragan	D24/99
D. 289,682	7/1987	Dragan	D24/16
D. 292,825	11/1987	Dragan	D24/4.5
D. 303,427	9/1989	Shimp et al.	D24/14
3,581,399	8/1971	Dragan	32/60
3,900,954	8/1975	Dragan	32/60
4,198,756	4/1980	Dragan	433/90
4,295,828	10/1981	Rudler	433/90
4,330,280	5/1982	Dougherty et al.	433/90

4,384,853	5/1983	Welch	433/90
4,391,590	5/1983	Dougherty	433/90
4,767,326	8/1988	Bennett	433/90

OTHER PUBLICATIONS

Complete Pfingst dental catalog item 44-C burnisher, p. 94, 1984.

Primary Examiner—Susan J. Lucas

Assistant Examiner—M. H. Tung

Attorney, Agent, or Firm—Arthur T. Fattibene; Paul A. Fattibene

[57] CLAIM

The ornamental design for a dental syringe tip, as shown and described.

DESCRIPTION

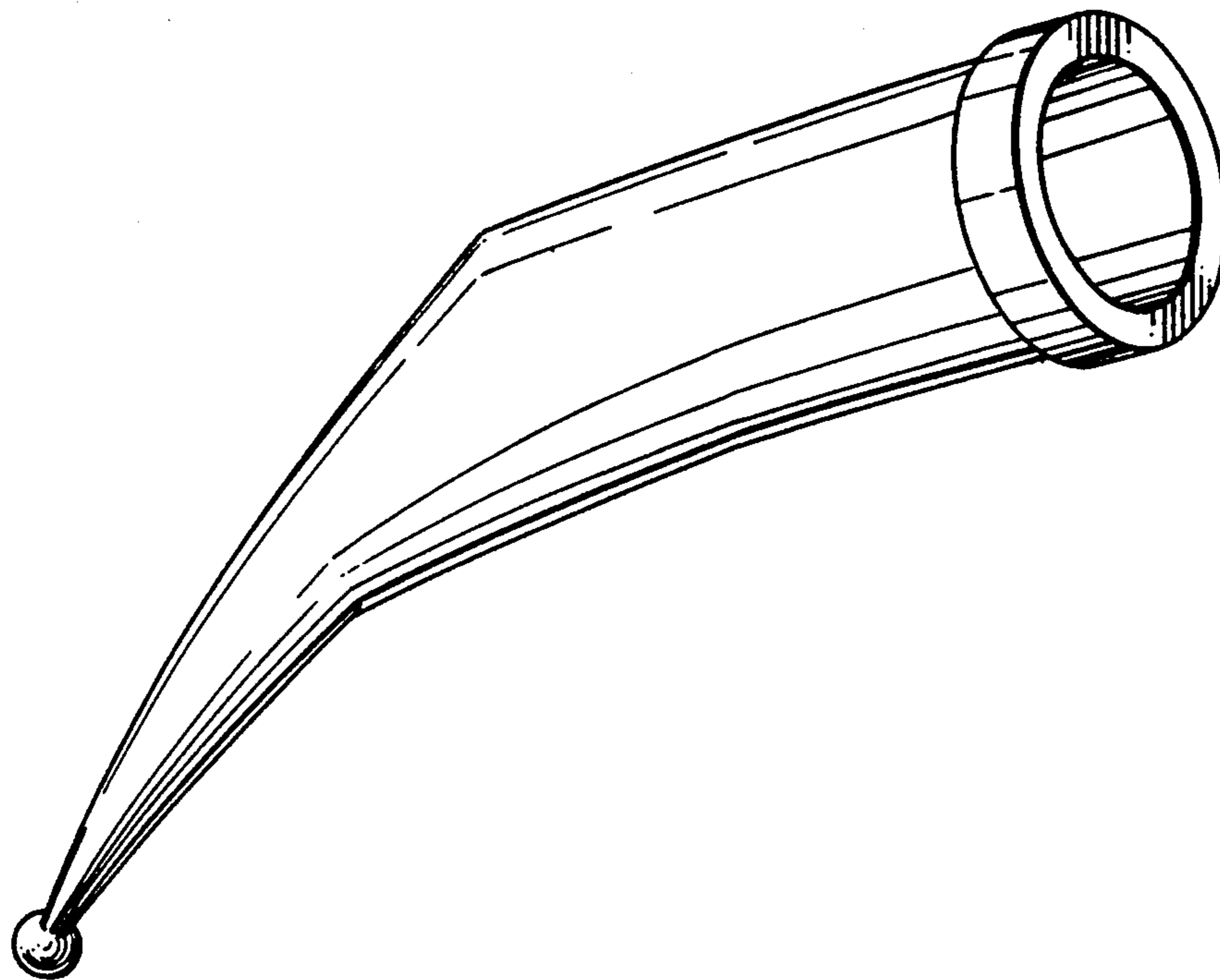
FIG. 1 is a left, rear perspective view of a dental syringe tip showing my new design;

FIG. 2 is a left side elevational view thereof, the other side being a mirror image;

FIG. 3 is a top plan view thereof;

FIG. 4 is a front elevational view thereof;

FIG. 5 is a rear elevational view thereof.



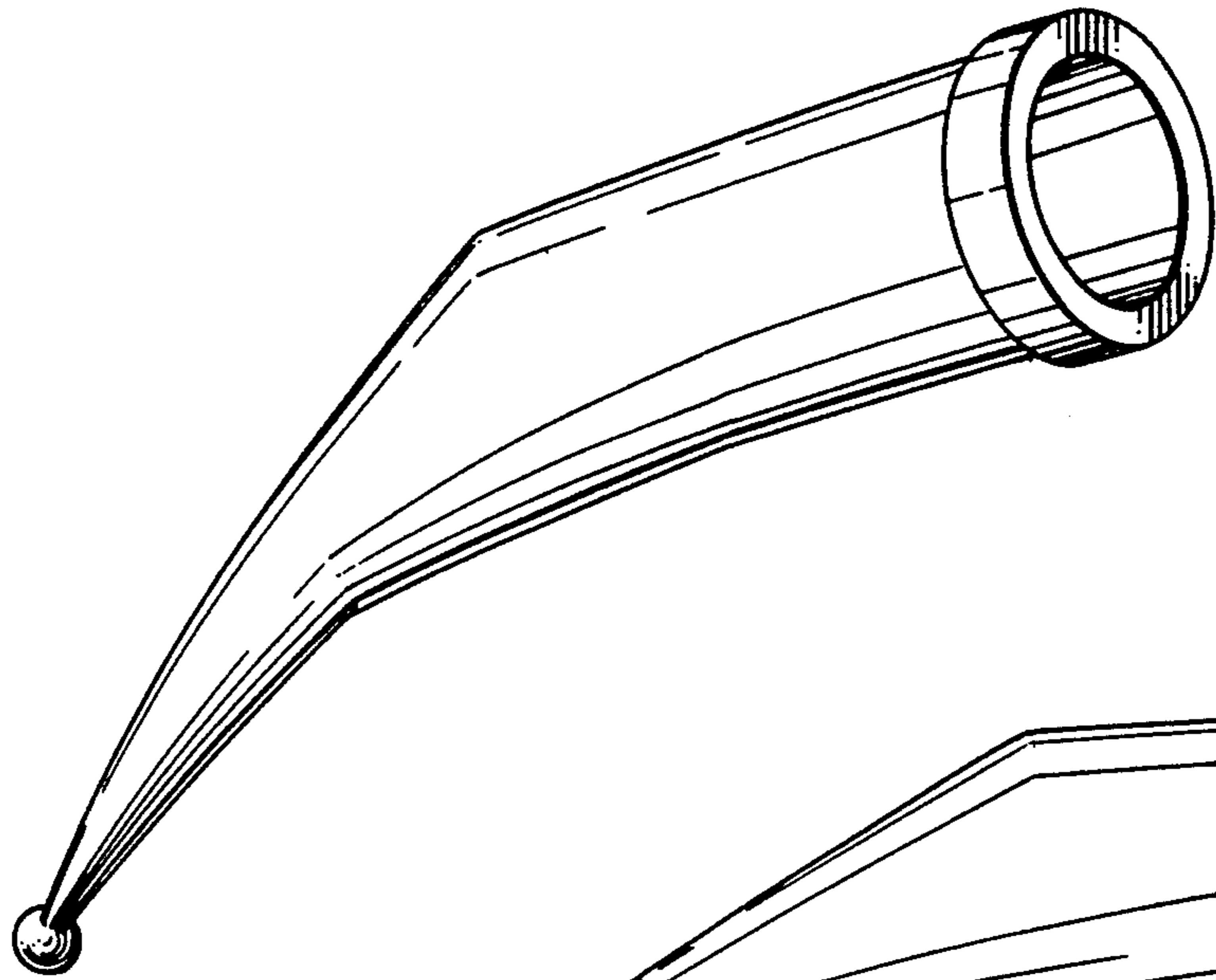


FIG. 1

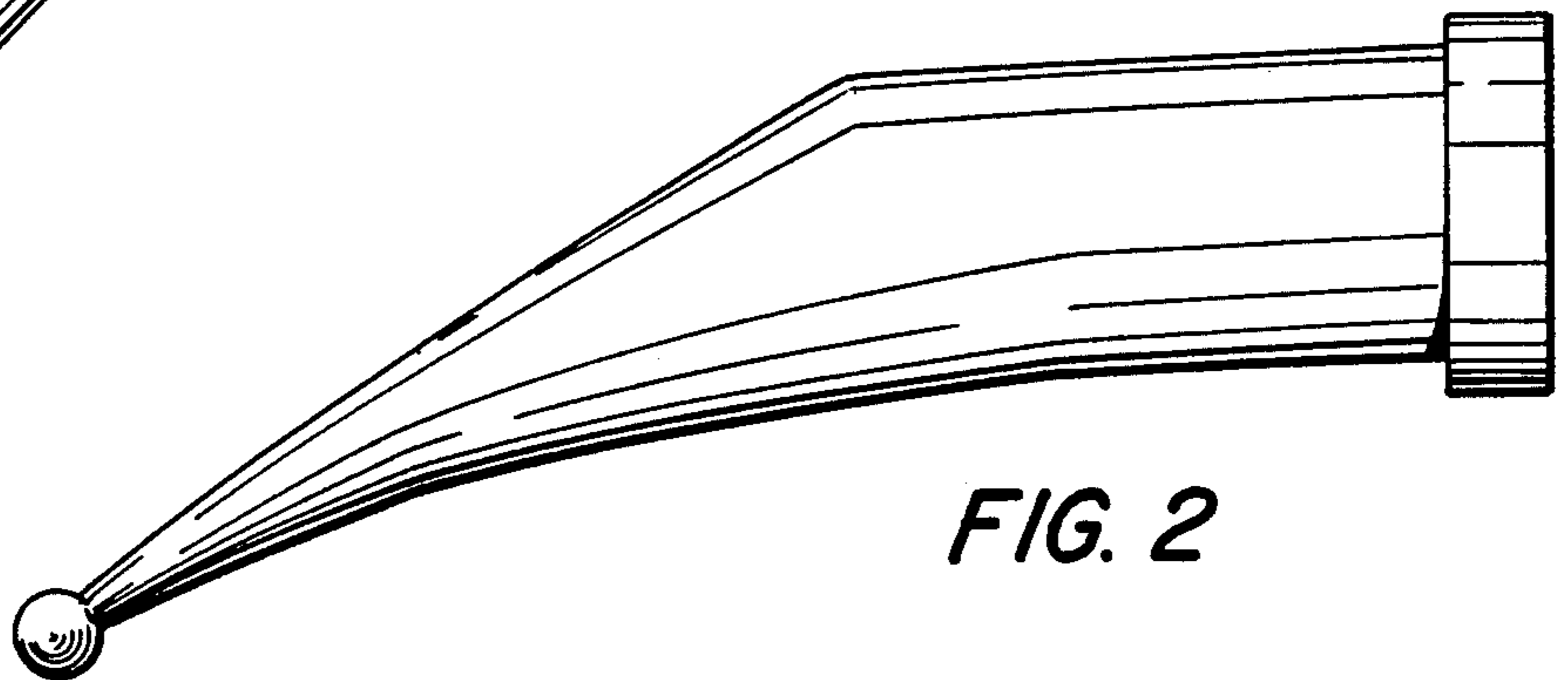


FIG. 2

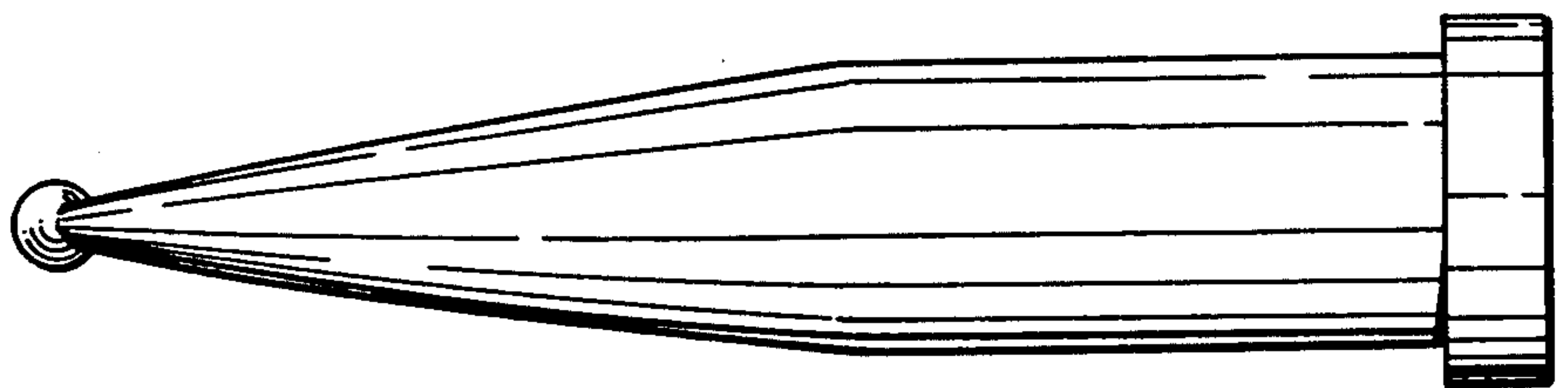


FIG. 3

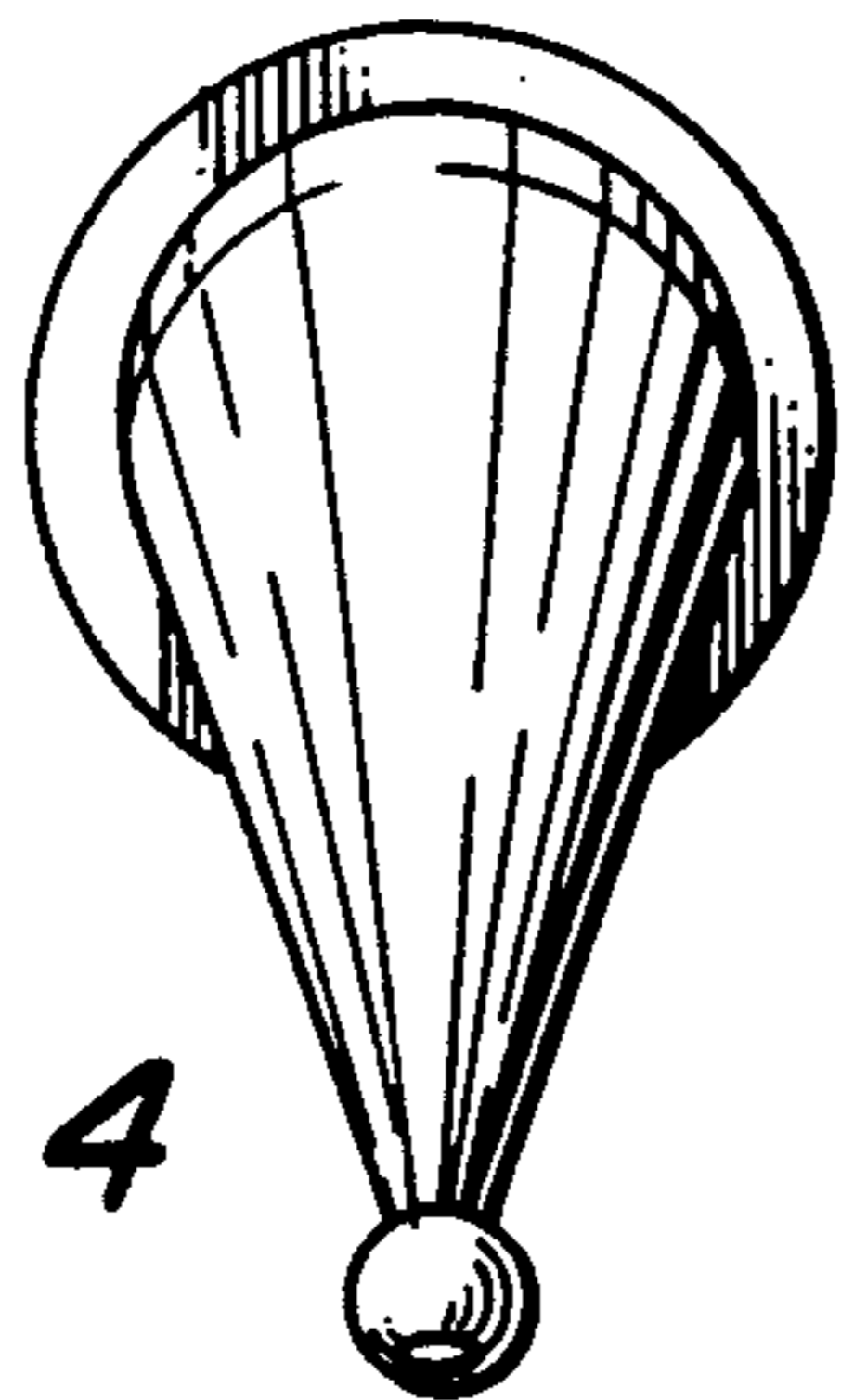


FIG. 4

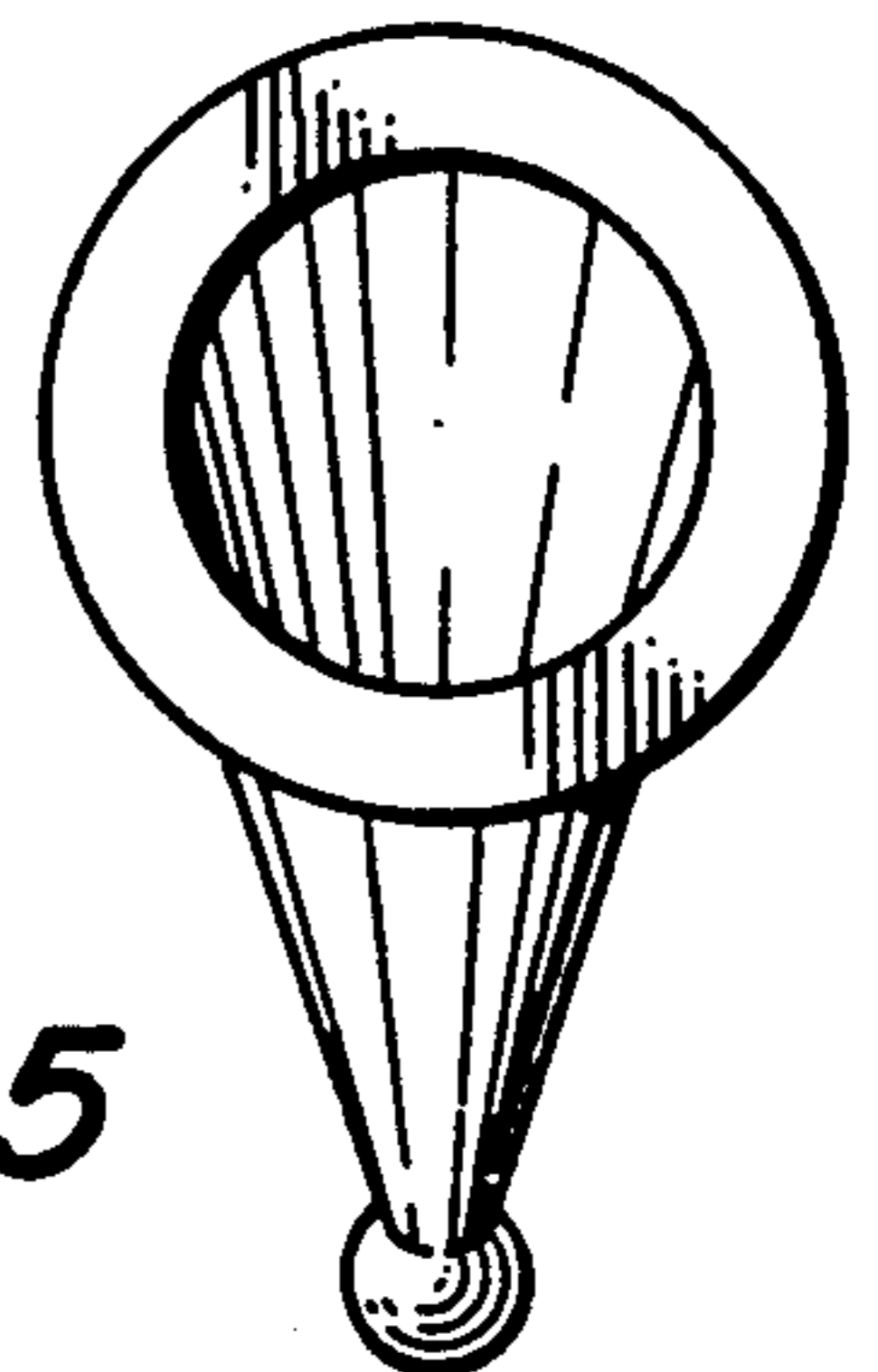


FIG. 5