

[54] LABORATORY MIXER FOR MIXING MEDICAL AND CHEMICAL TEST SAMPLES

[75] Inventor: Wolfram Störzbach, Lucerne, Switzerland

[73] Assignee: Kinematica AG, Littau, Switzerland

[**] Term: 14 Years

[21] Appl. No.: 280,183

[22] Filed: Dec. 2, 1988

[30] Foreign Application Priority Data

Jun. 3, 1988 [CH] Switzerland 116,754
[52] U.S. Cl. D24/99
[58] Field of Search D24/8; 366/111, 129, 366/142, 216, 241, 244, 249, 251, 254, 261, 282, 343, 344, 601; D7/378, 386, 376

[56] References Cited

U.S. PATENT DOCUMENTS

- D. 290,393 6/1987 Stevens et al. D24/8
D. 290,394 6/1987 Stevens et al. D24/8
D. 290,395 6/1987 Stevens et al. D24/8
2,804,290 8/1957 Kaufman 366/129 X

FOREIGN PATENT DOCUMENTS

839192 5/1952 Fed. Rep. of Germany 366/129
1114454 9/1984 U.S.S.R. 366/241

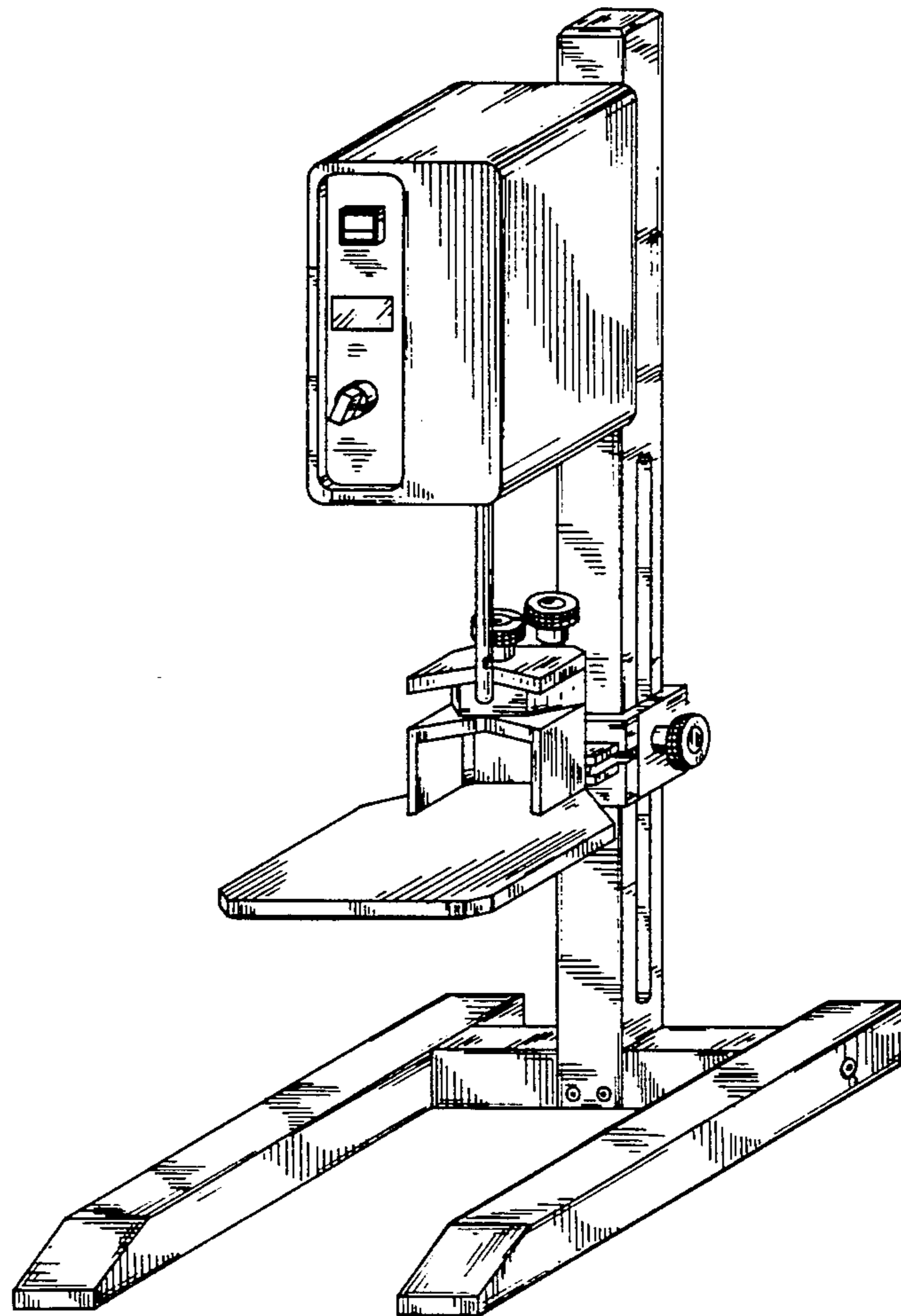
Primary Examiner—Wallace R. Burke
Assistant Examiner—H. Baynhan
Attorney, Agent, or Firm—Marks Murase & White

[57] CLAIM

The ornamental design for a laboratory mixer for mixing medical and chemical test samples, as shown in the drawings.

DESCRIPTION

FIG. 1 is a front perspective view of a laboratory mixer for mixing medical and chemical test samples showing my new design, with the mixing head immersion rod assembly in a vertical orientation; FIG. 2 is a front elevational view thereof; FIG. 3 is a front elevational view thereof with the immersion rod in a rotated position; FIG. 4 is a rear elevational view thereof; FIG. 5 is a right side elevational view thereof; and FIG. 6 is a left side elevational view thereof. The broken lines showing a beaker is for illustrative purposes only and forms no part of the claimed design.



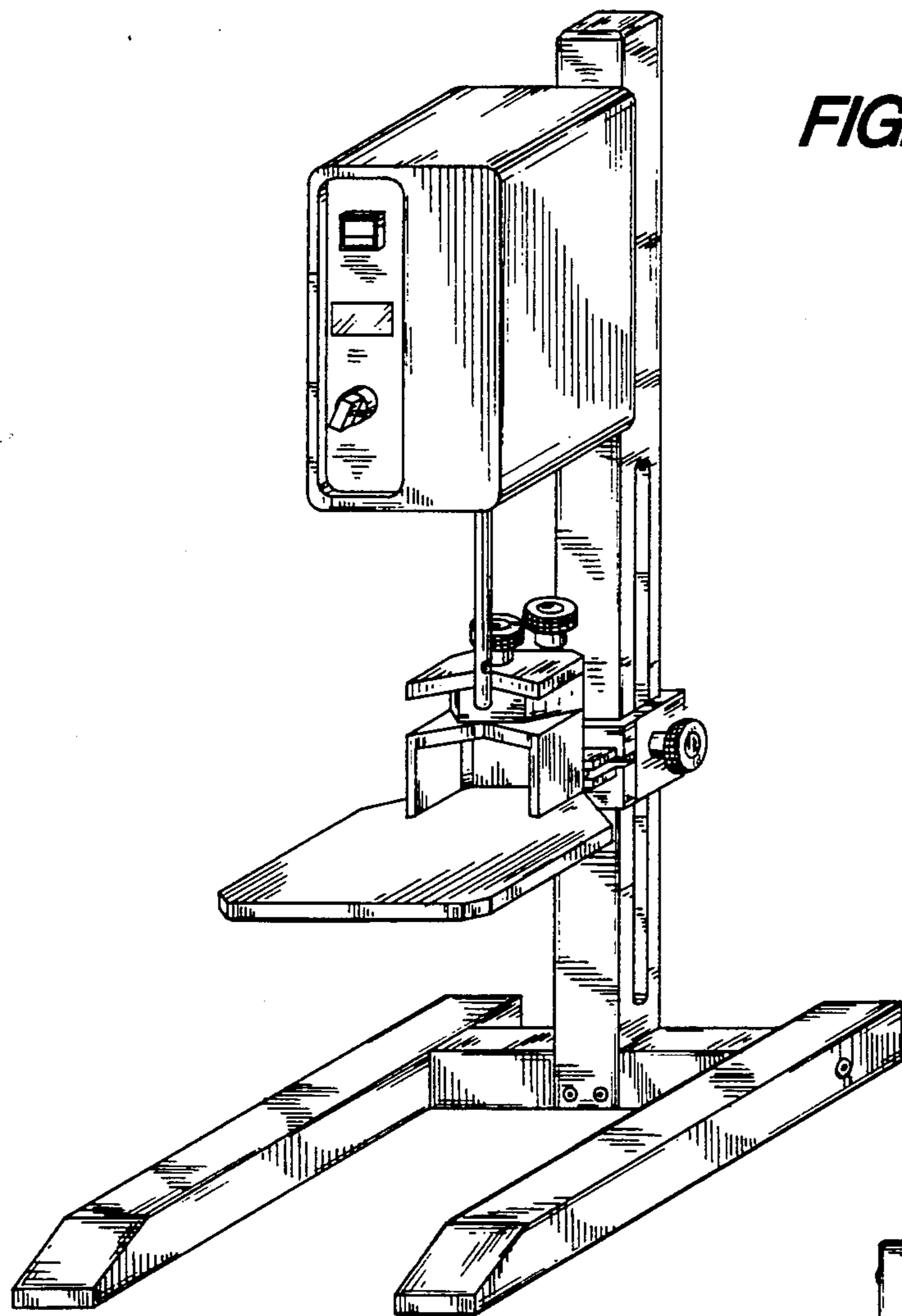


FIG. 1

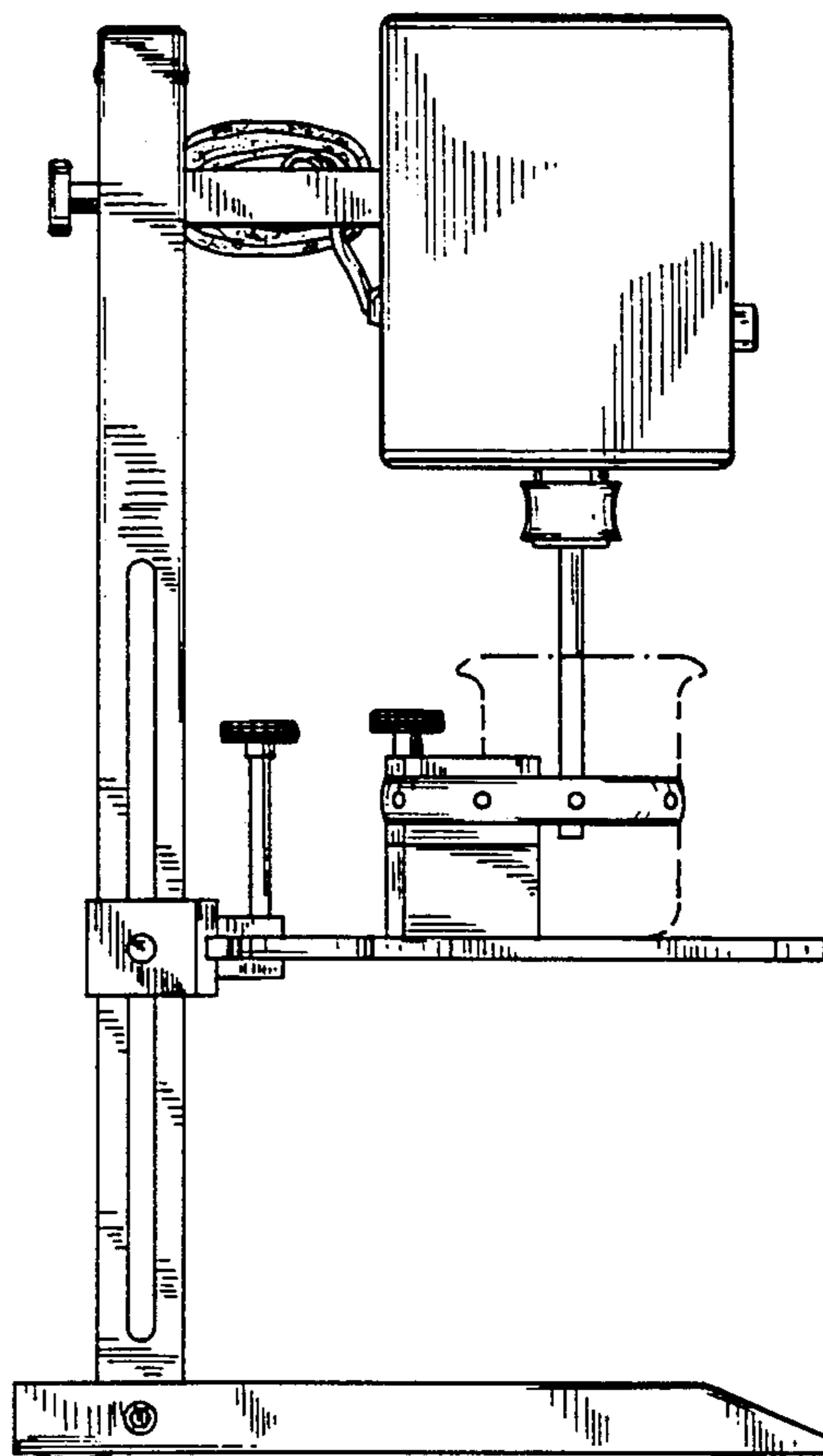


FIG. 6

FIG. 2

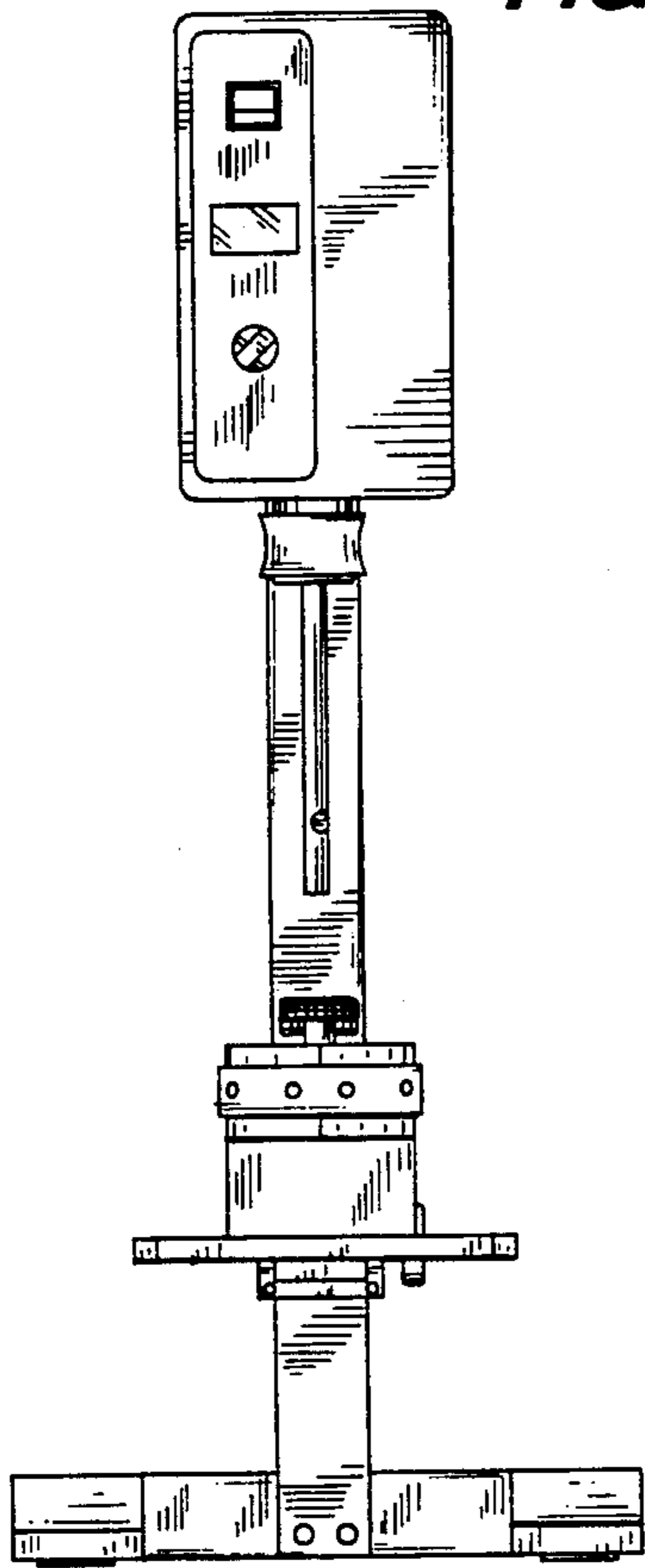


FIG. 3

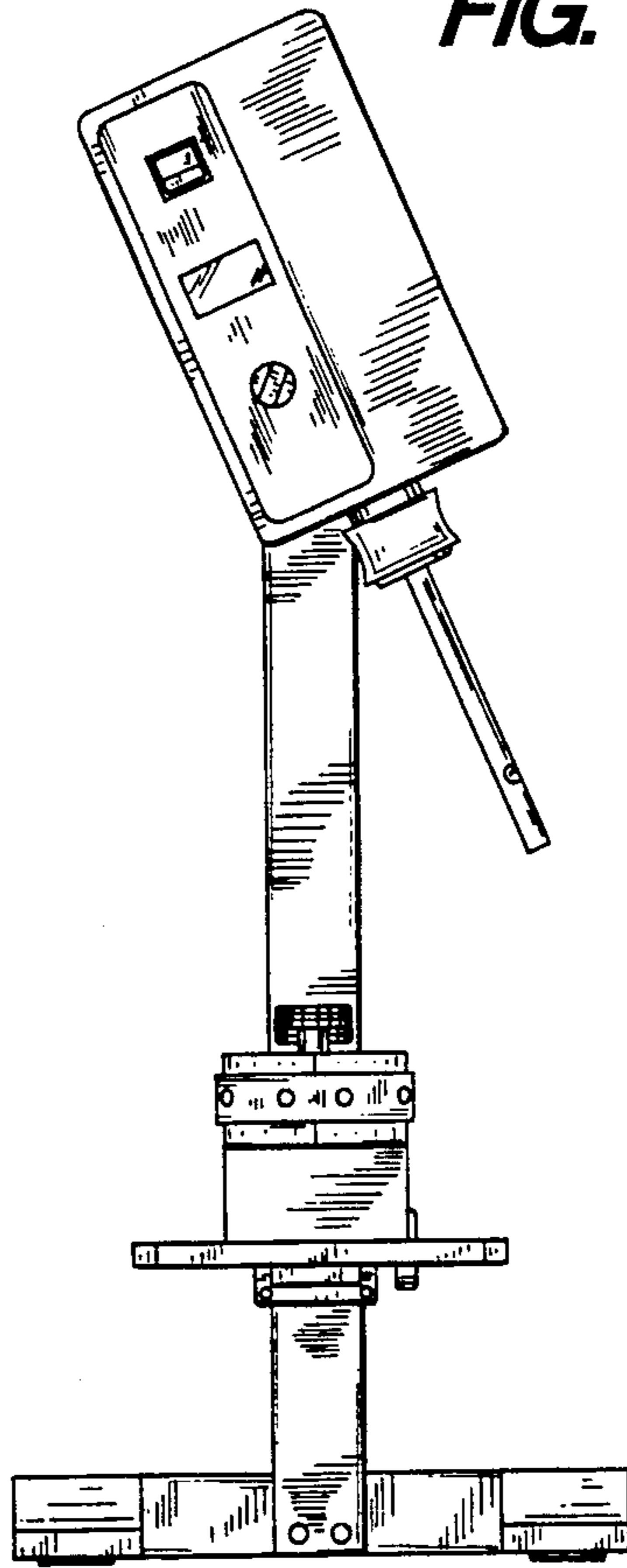


FIG. 4

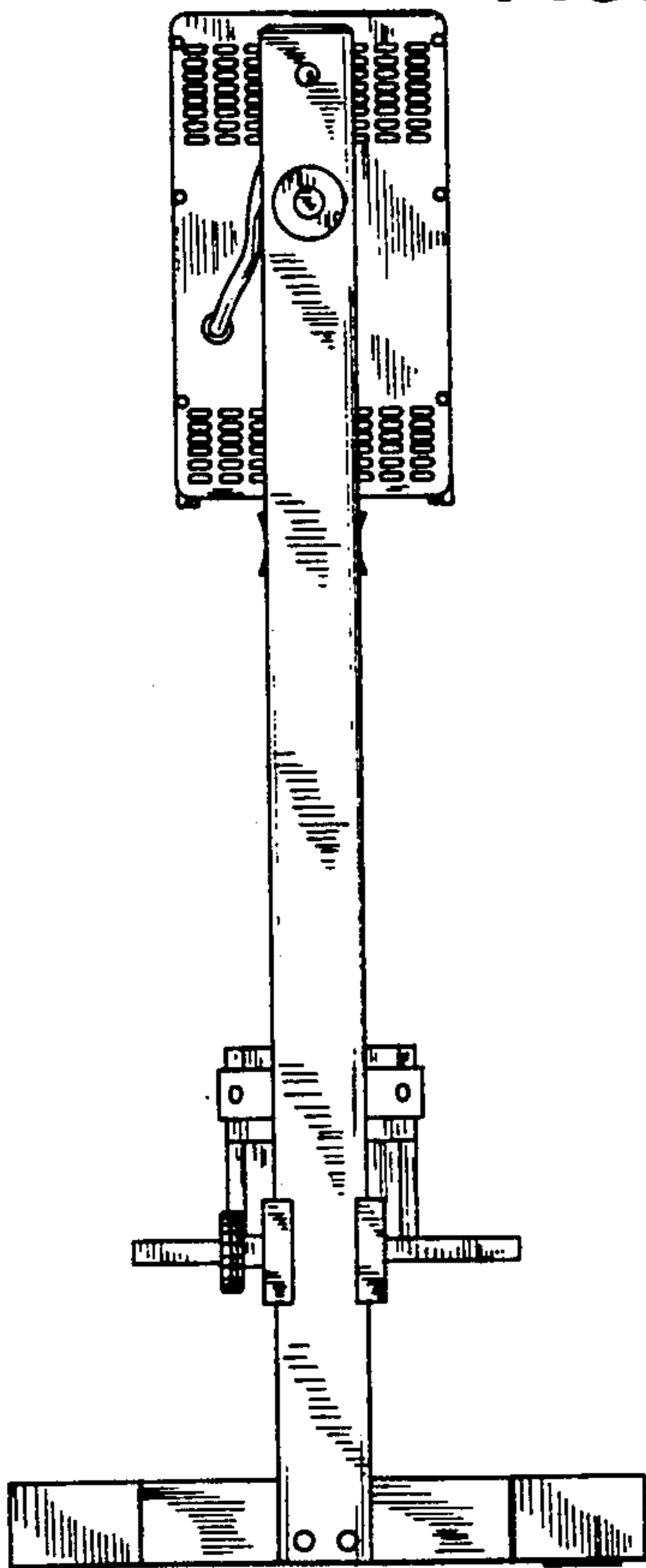


FIG. 5

