

[54] SINGLE BAFFLE TILE FOR FIXED HEATER FOR OIL REFINERIES

[75] Inventors: Ronald L. Cutshall, Chicago Heights; Frank L. Groenewold, South Holland; Martin F. Brennan, Calumet City, all of Ill.

[73] Assignee: Amoco Corporation, Chicago, Ill.

[*] Notice: The portion of the term of this patent subsequent to Jul. 16, 2005 has been disclaimed.

[**] Term: 14 Years

[21] Appl. No.: 208,397

[22] Filed: Jun. 17, 1988

[52] U.S. Cl. D23/393

[58] Field of Search D23/393, 386, 387; D25/113, 114, 152, 155; 52/180, 177, 738, 302, 333, 663; 126/147, 151, 148

[56] References Cited

U.S. PATENT DOCUMENTS

58,660	8/1921	Clouser et al.	D25/113
D. 253,968	1/1980	Bogan	D25/155
D. 256,158	7/1980	Ward	D23/393
D. 261,031	9/1981	Ward	D23/393
D. 273,998	5/1984	Ballantine	D25/155

1,422,551	7/1922	Fletcher	D25/113
2,706,109	4/1955	Ödman	D25/155
3,593,348	7/1971	Toerge	D25/113
4,367,142	1/1983	Blecher	D25/155
4,565,044	1/1986	Takahara	52/302
4,712,340	12/1987	Sogge	52/177

FOREIGN PATENT DOCUMENTS

676695	of 1929	France	52/180
2136472	9/1984	United Kingdom	52/177

Primary Examiner—James M. Gandy
Assistant Examiner—Lisa Lichtenstein
Attorney, Agent, or Firm—Thomas W. Tolpin; William H. Magidson; Ralph C. Medhurst

[57] CLAIM

The ornamental design for a single baffle tile for fixed heater for oil refineries, as shown.

DESCRIPTION

FIG. 1 is a front and left side perspective view of a single baffle tile for fixed heater for oil refineries, showing our new design;
FIG. 2 is a front elevation view thereof;
FIG. 3 is a rear elevation view thereof;
FIG. 4 is a top plan view thereof;
FIG. 5 is a bottom plan view thereof;
FIG. 6 is a left side elevation view thereof; and
FIG. 7 is a right side elevation view thereof.

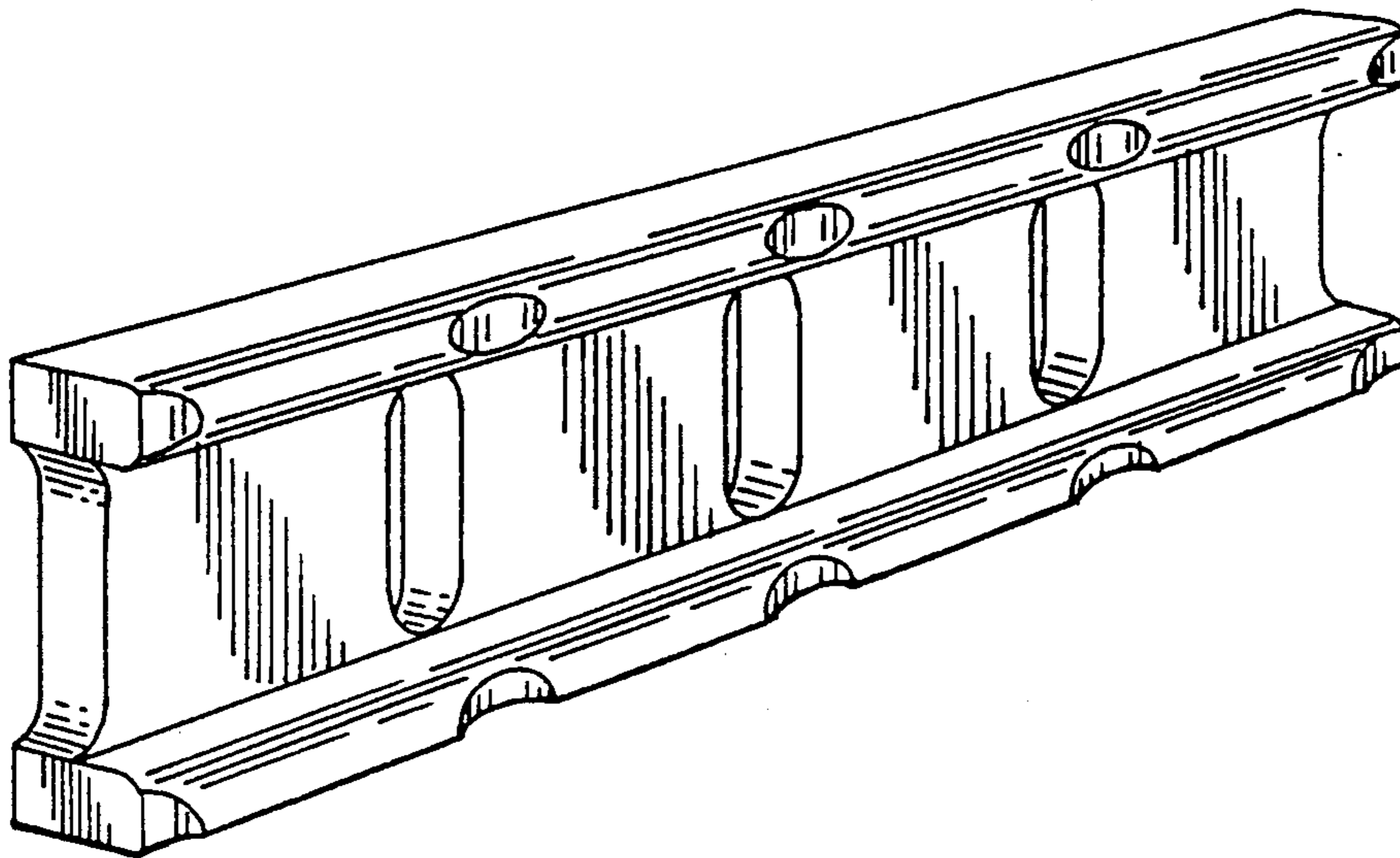


FIG. 1

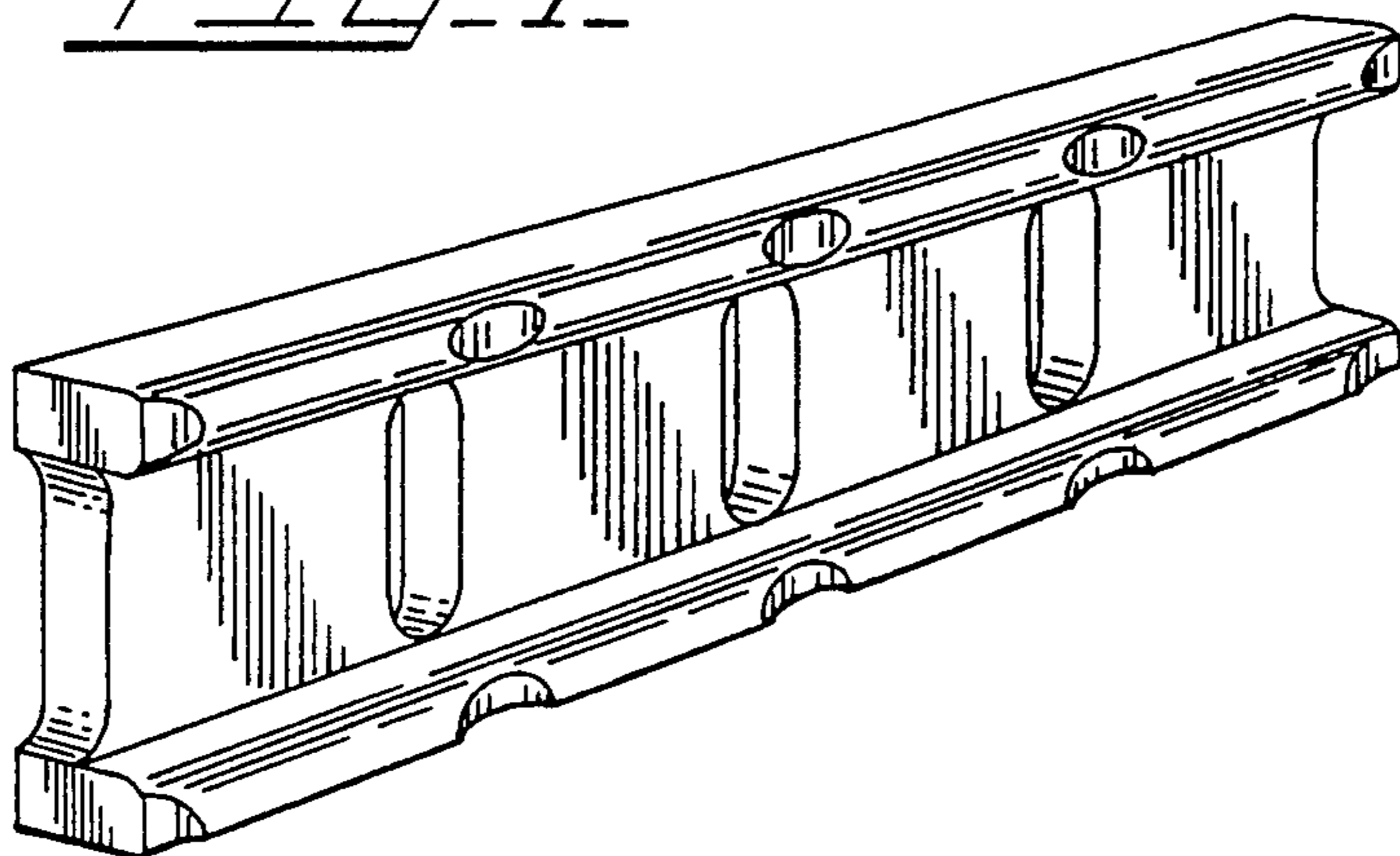


FIG. 2

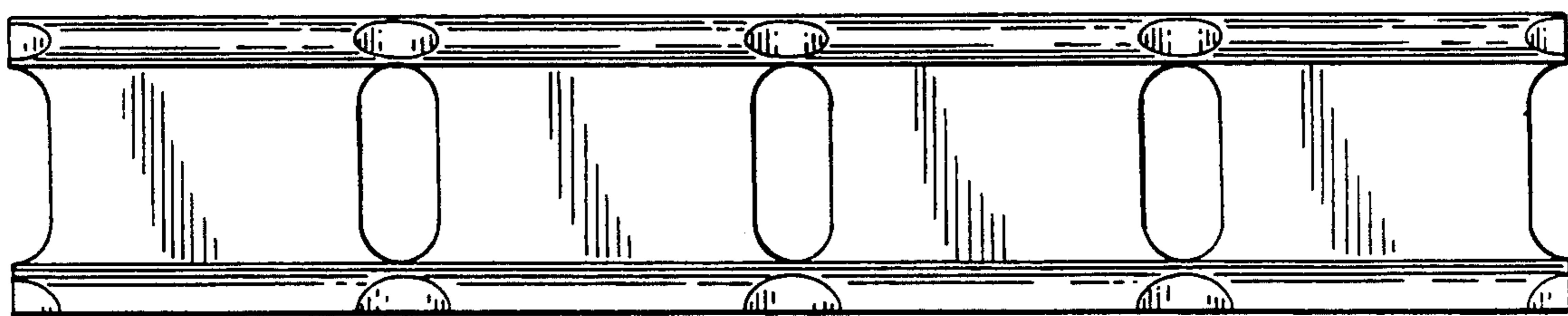


FIG-3-

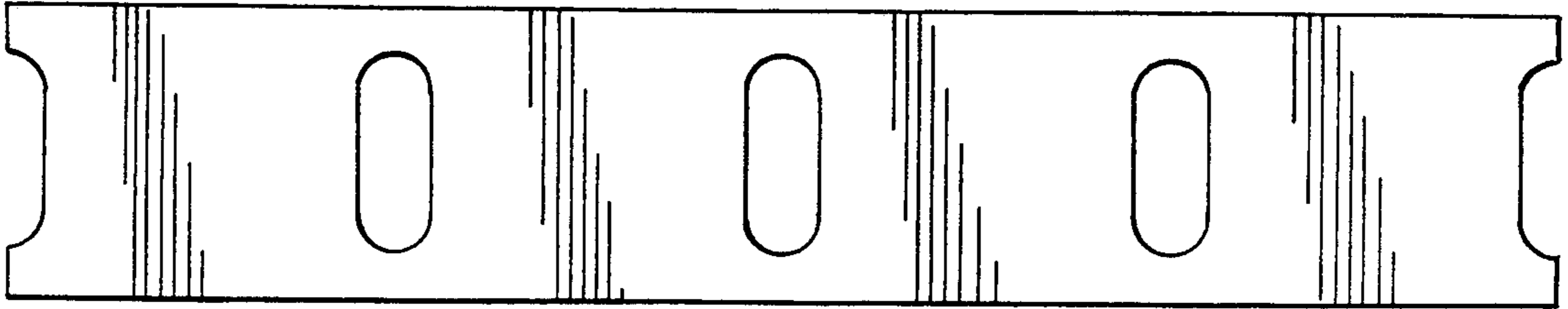


FIG-4-

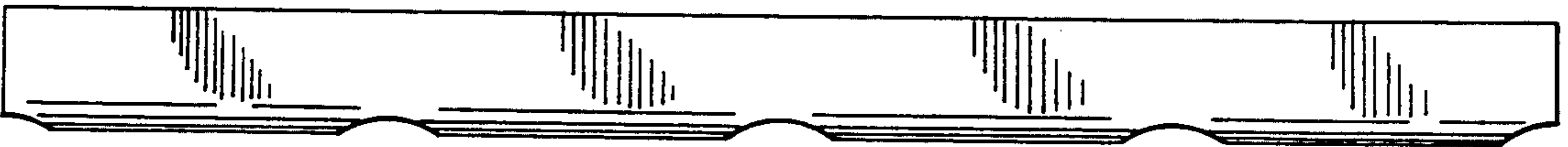


FIG-5-



FIG-6-



FIG-7-

