

[54] WASH BASIN

[75] Inventor: Jonathan G. Waldren, Ealing, England

[73] Assignee: B. C. Sanitan Limited, Berkshire, England

[**] Term: 14 Years

[21] Appl. No.: 467,222

[22] Filed: Jan. 19, 1990

[30] Foreign Application Priority Data

Jul. 21, 1989 [GB] United Kingdom 1060990

[52] U.S. Cl. D23/294

[58] Field of Search D23/270-274, D23/284-294, 308; 4/619, 625, 635-658

[56] References Cited

U.S. PATENT DOCUMENTS

- D. 7,464 6/1874 Lancaster D23/285
- D. 23,805 11/1894 Gavin D23/285
- D. 23,806 11/1894 Gavin D23/285
- D. 23,894 12/1894 Gavin D23/285
- D. 23,895 12/1894 Gavin D23/285

- D. 36,907 5/1904 Weelans D23/294
- D. 37,435 5/1905 Kelly D23/294
- D. 37,691 11/1905 Frauenheim D23/294
- D. 38,007 5/1906 Podmore D23/294
- D. 40,401 12/1909 Crane D23/294
- D. 57,770 5/1921 Crane D23/294
- D. 288,352 2/1989 Smith D23/285
- D. 288,354 2/1989 Smith D23/285

Primary Examiner—James R. Largen
Attorney, Agent, or Firm—Welsh & Katz, Ltd.

[57] CLAIM

The ornamental design for a wash basin, as shown and described.

DESCRIPTION

FIG. 1 is a top plan view of a wash basin showing my new design;
 FIG. 2 is a cross-sectional view taken on line 2—2 of FIG. 1;
 FIG. 3 is a cross-sectional view taken on line 3—3 of FIG. 1;
 FIG. 4 is a front elevational view thereof; and
 FIG. 5 is a right side elevational view thereof, the left side being a mirror image of the right side.

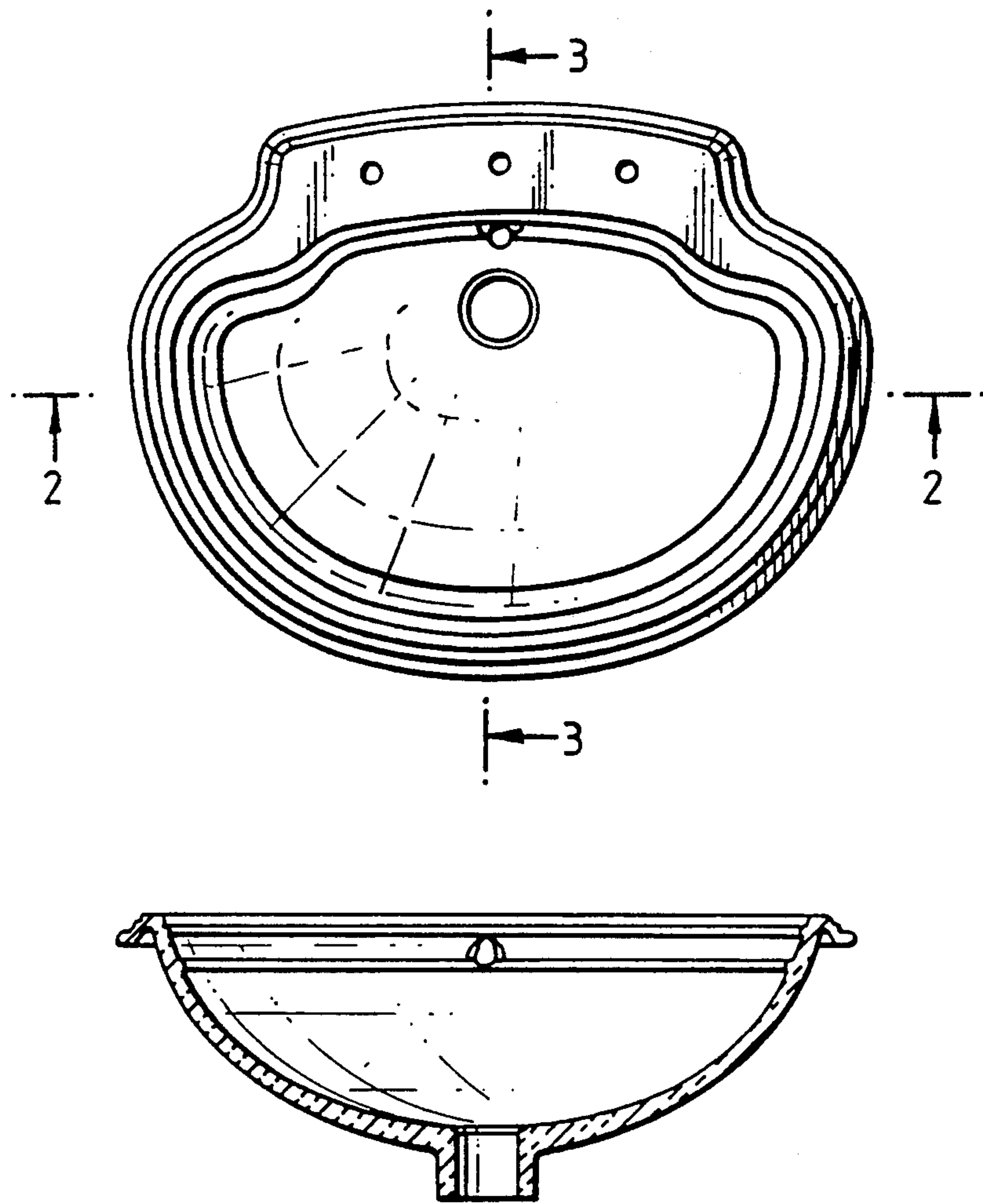


FIG. 1

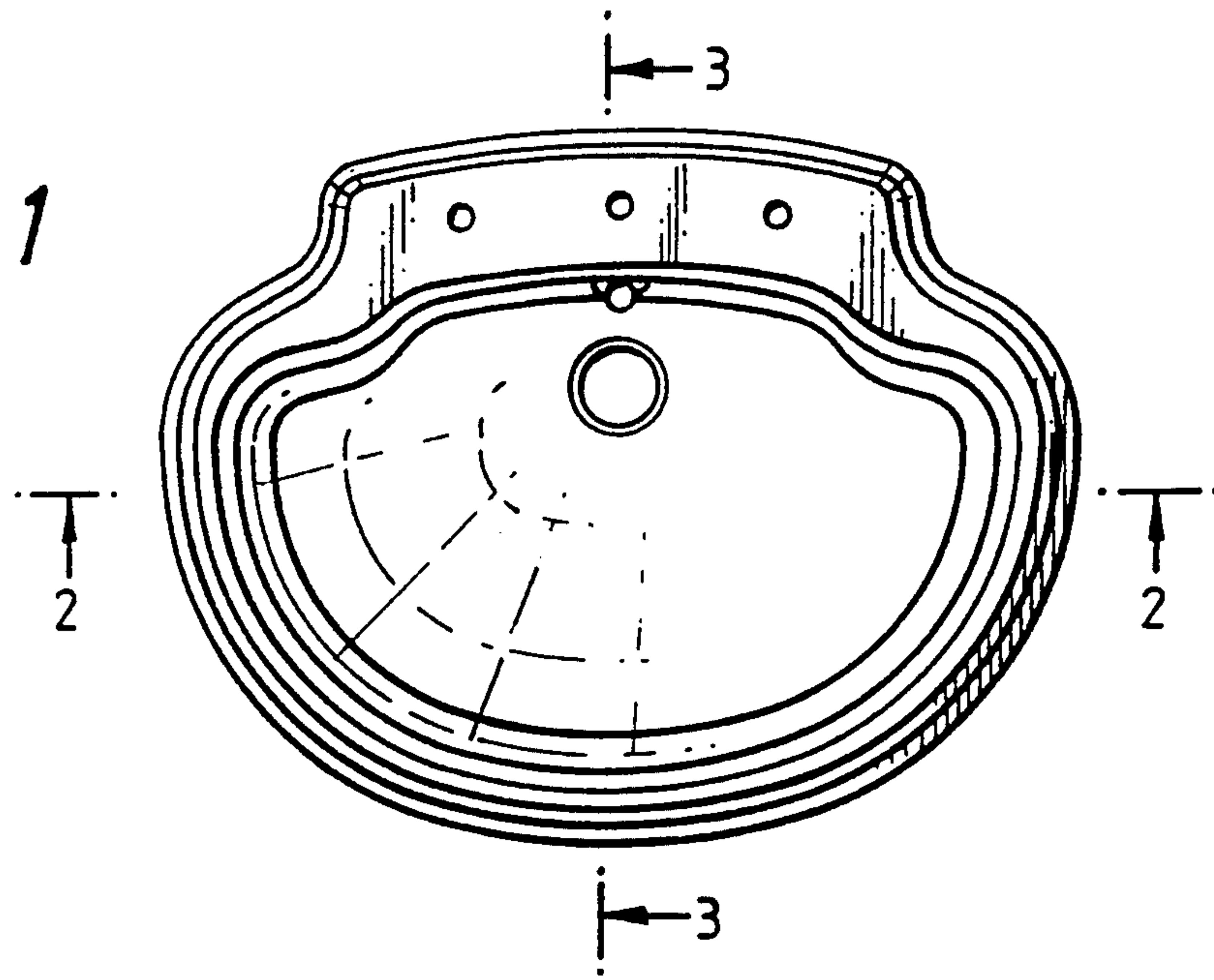


FIG. 2

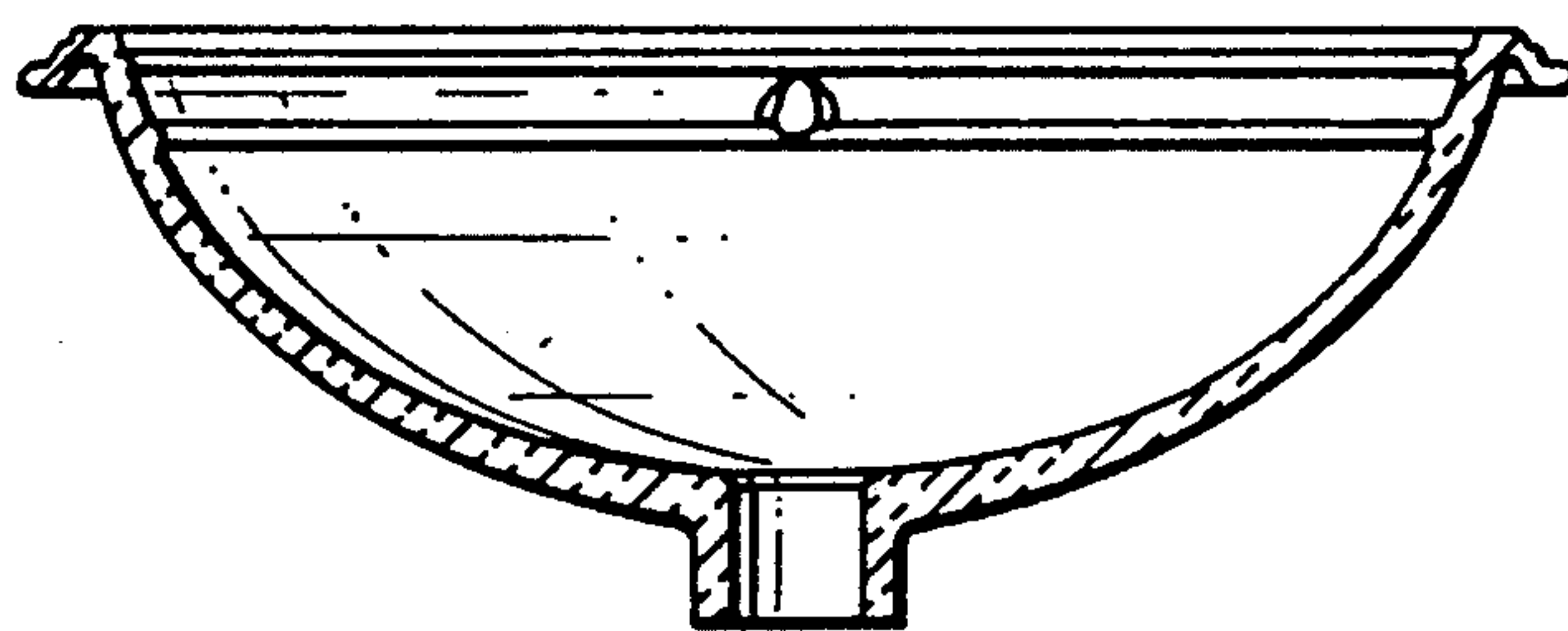


FIG. 3

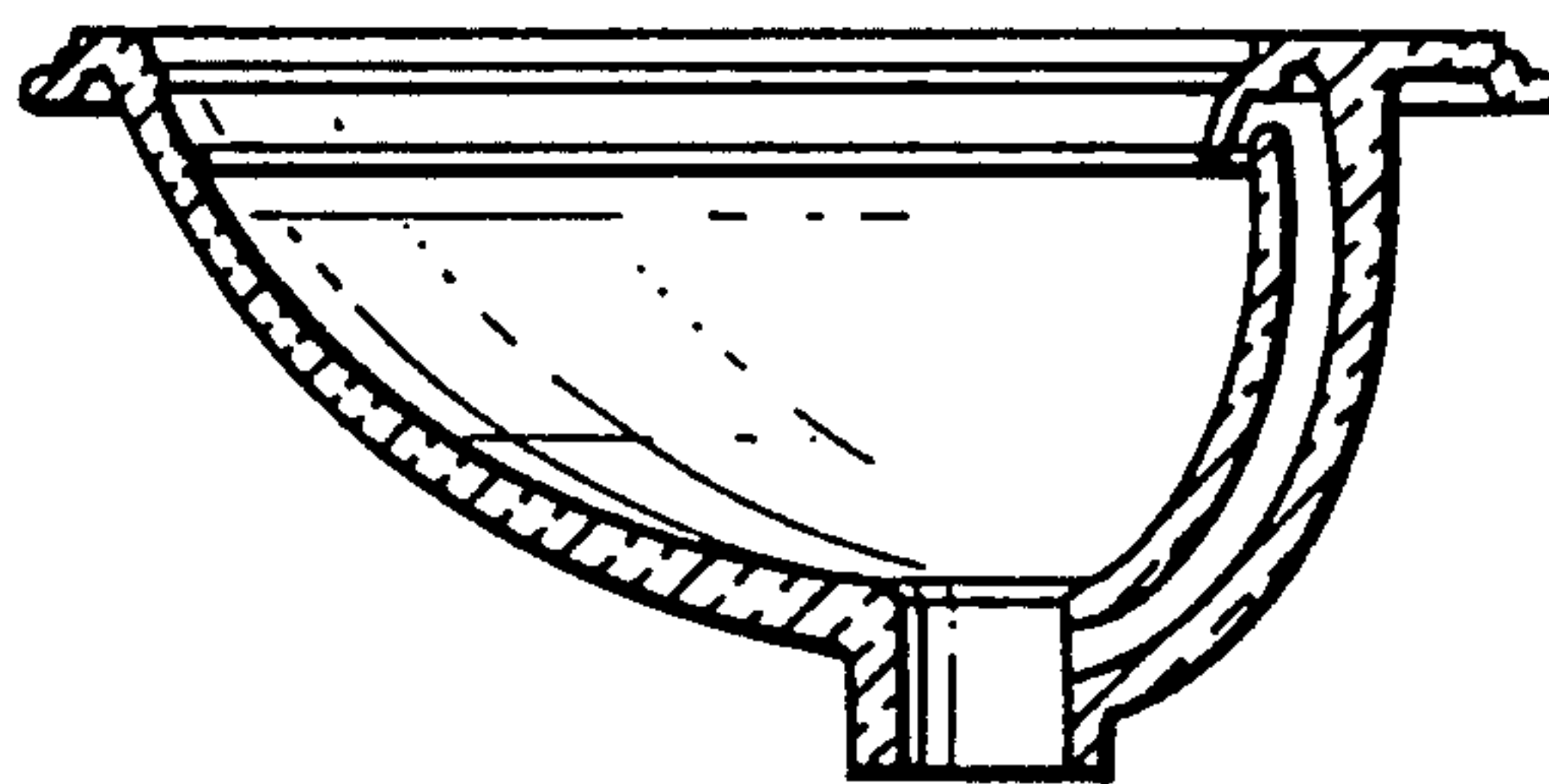


FIG. 4

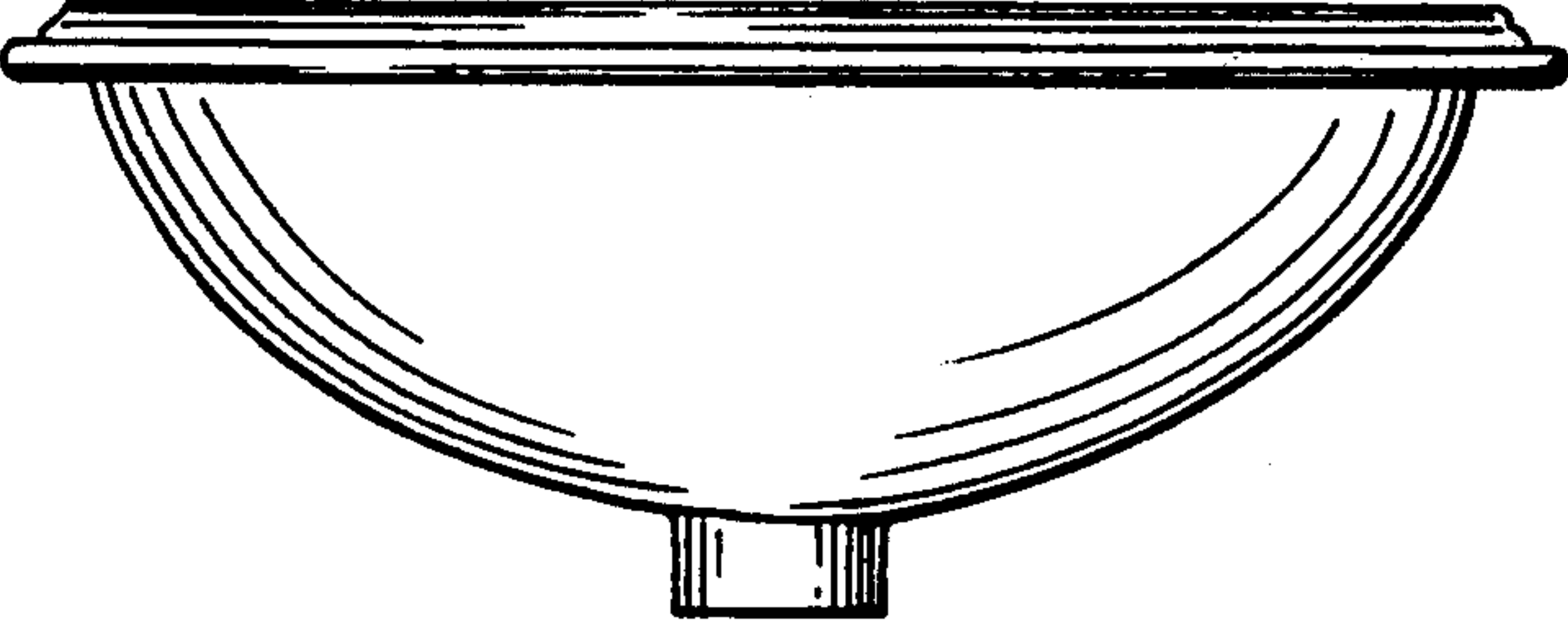


FIG. 5

