

[54] THROUGH TANK WALL PIPE FITTING

3,381,982 5/1968 Elek 285/156

[75] Inventor: William T. Breadmont, Bakersfield, Calif.

Primary Examiner—James M. Gandy
Attorney, Agent, or Firm—Fleit, Jacobson, Cohn, Price, Holman & Stern

[73] Assignee: James P. Peel, Bakersfield, Calif. ; A part interest

[57] CLAIM

[**] Term: 14 Years

The ornamental design for a through tank wall pipe fitting, as shown and described.

[21] Appl. No.: 216,248

DESCRIPTION

[22] Filed: Jul. 6, 1988

[52] U.S. Cl. D23/262

[58] Field of Search 285/38, 192, 196, 156, 285/259, 256, 338; D13/155; D23/262; 248/56

FIG. 1 is a top front perspective view of a through tank wall pipe fitting showing my new design; FIG. 2 is a rear elevation view thereof; FIG. 3 is a left end elevational view thereof; FIG. 4 is a right end elevational view thereof; FIG. 5 is a cross sectional view thereof taken along line 5—5 in FIG. 2; and FIG. 6 is an exploded rear elevational view thereof. The broken line showing of a pipe in FIGS. 1, 2, 3, 4, and 5 of the drawing is for illustrative purposes only and forms no part of the claimed design.

[56] References Cited

U.S. PATENT DOCUMENTS

- D. 195,540 6/1963 Knight D23/262
- D. 222,469 10/1971 Plummer D23/262
- 3,017,203 1/1962 MacLeod 285/259

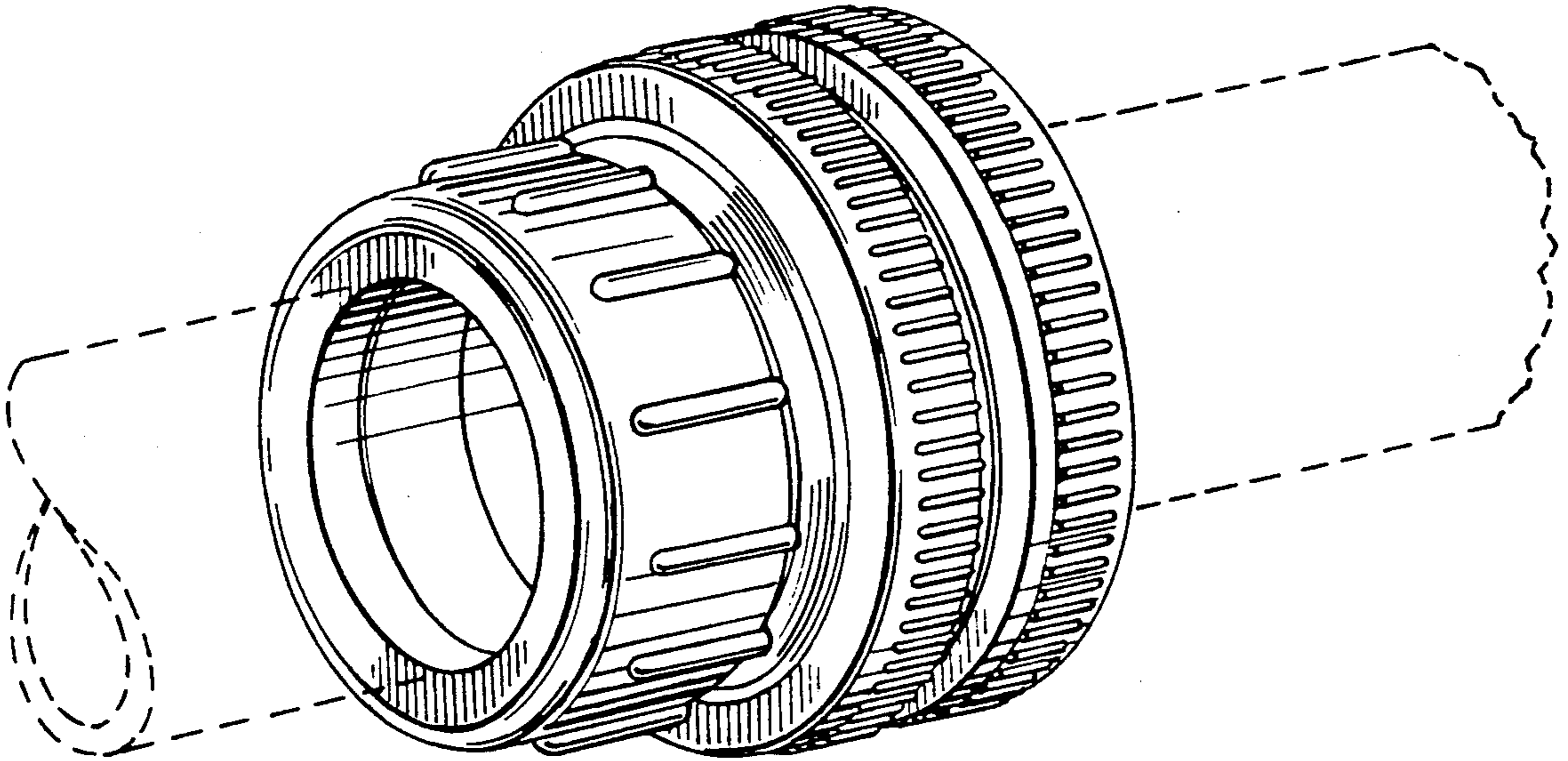


FIG. 1

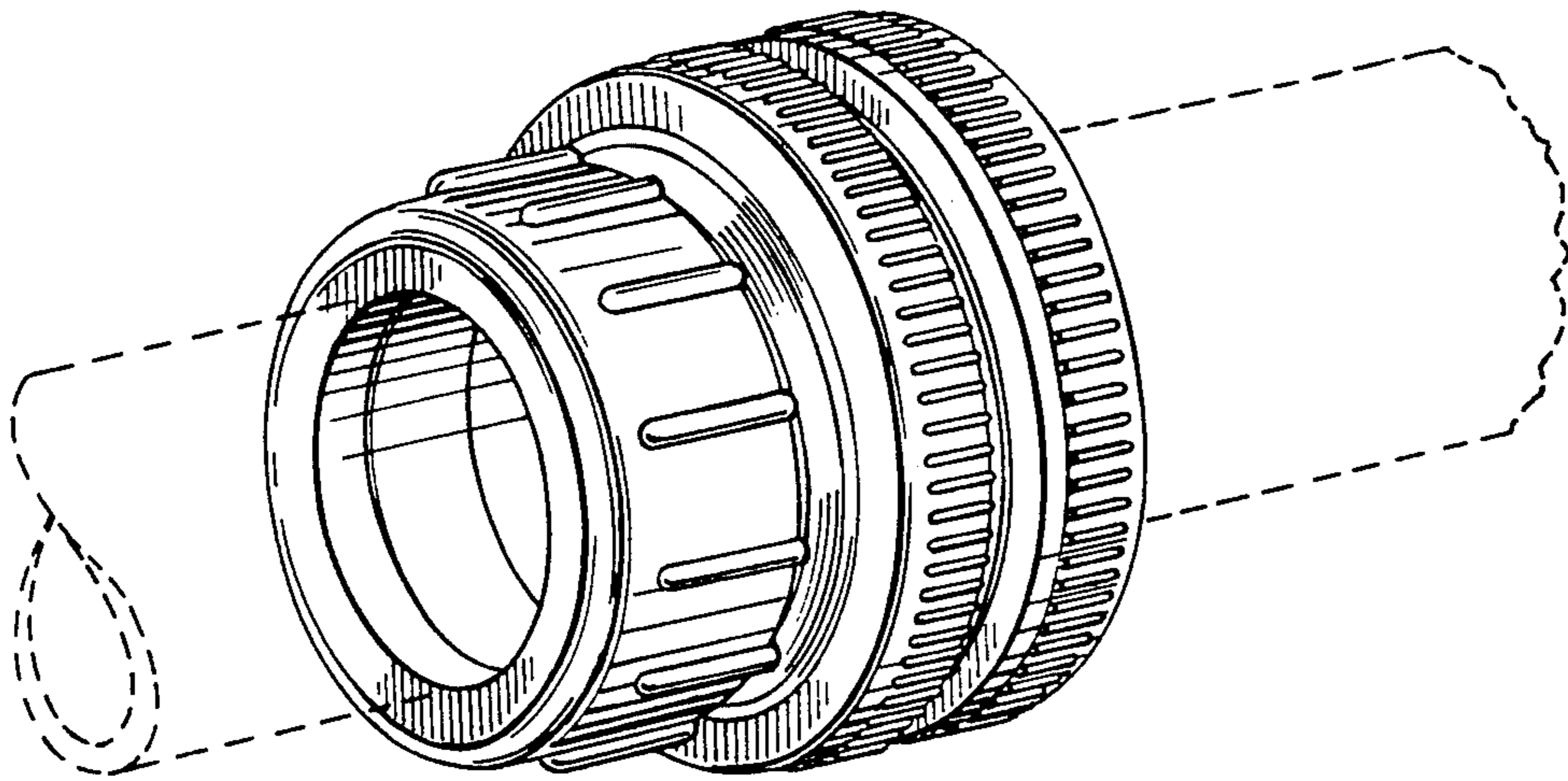


FIG. 2

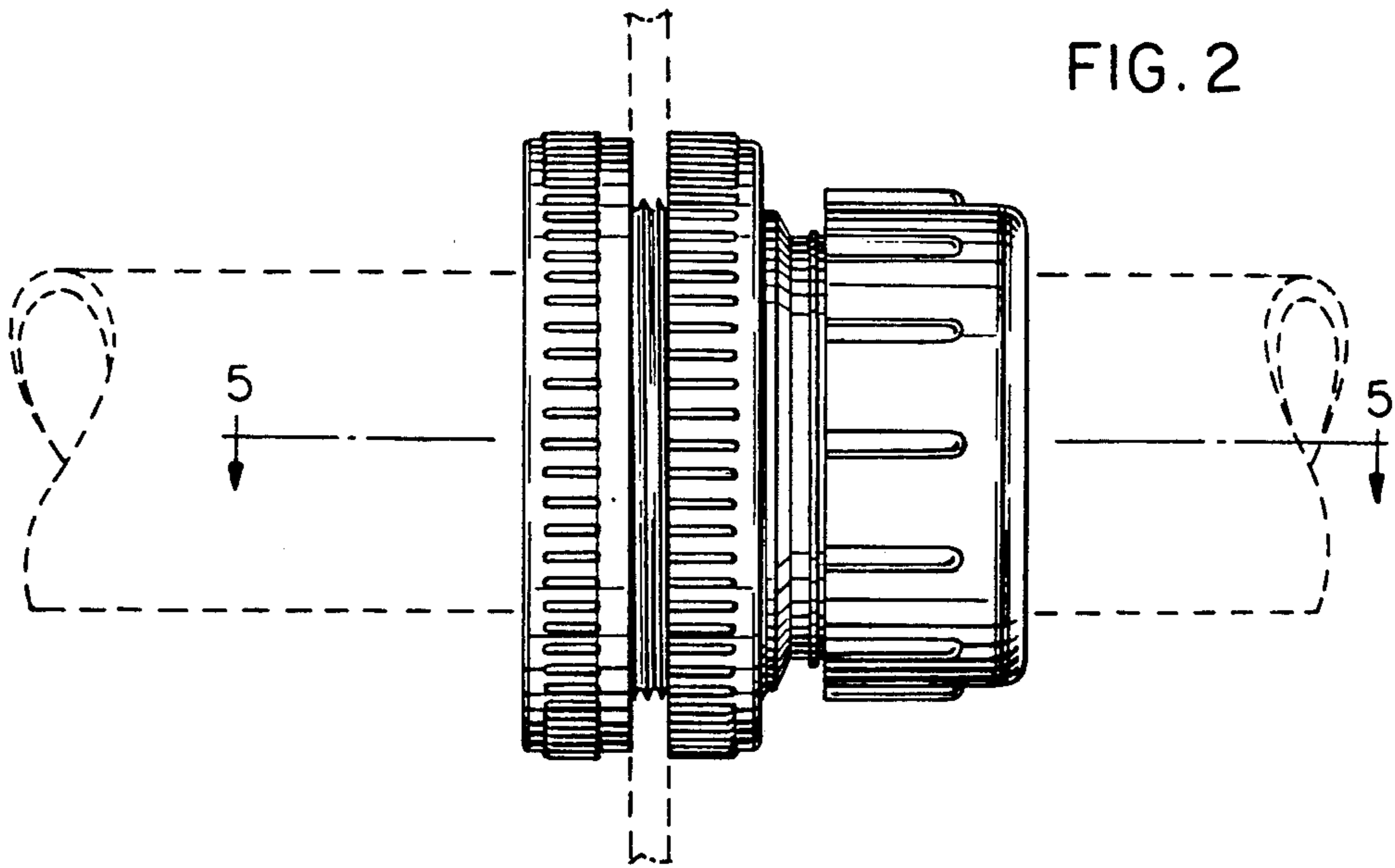


FIG. 3

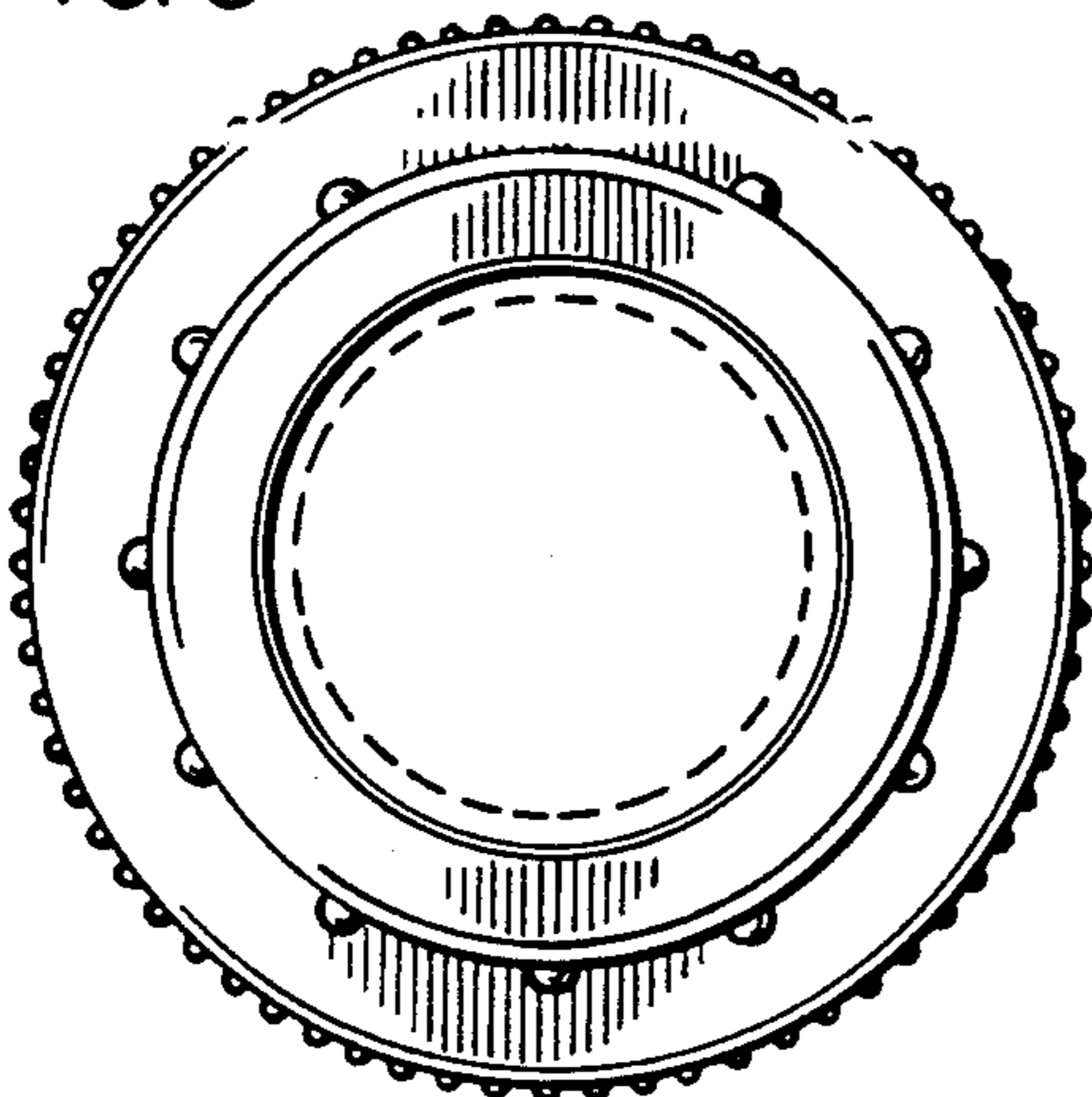


FIG. 4

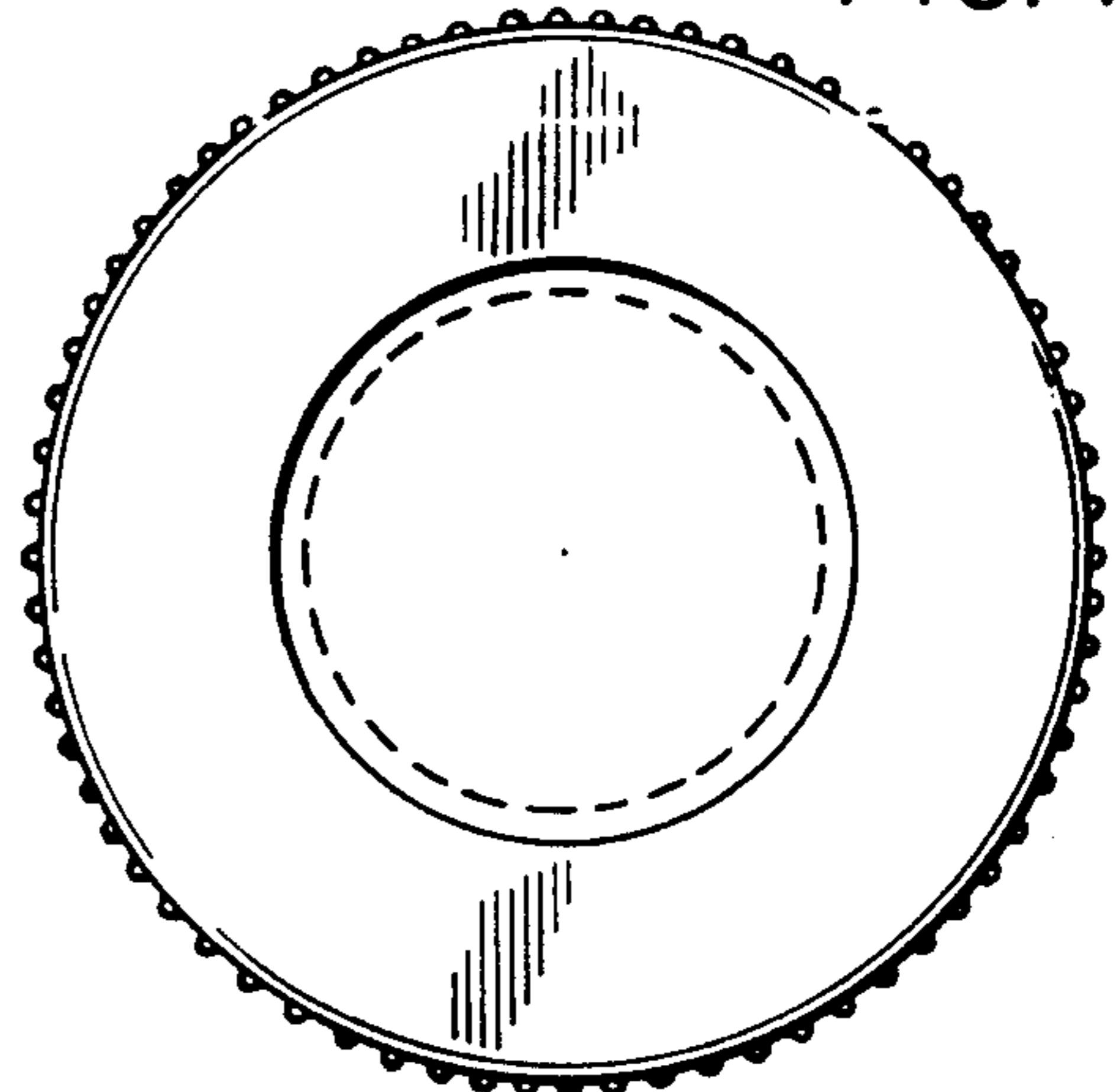


FIG. 5

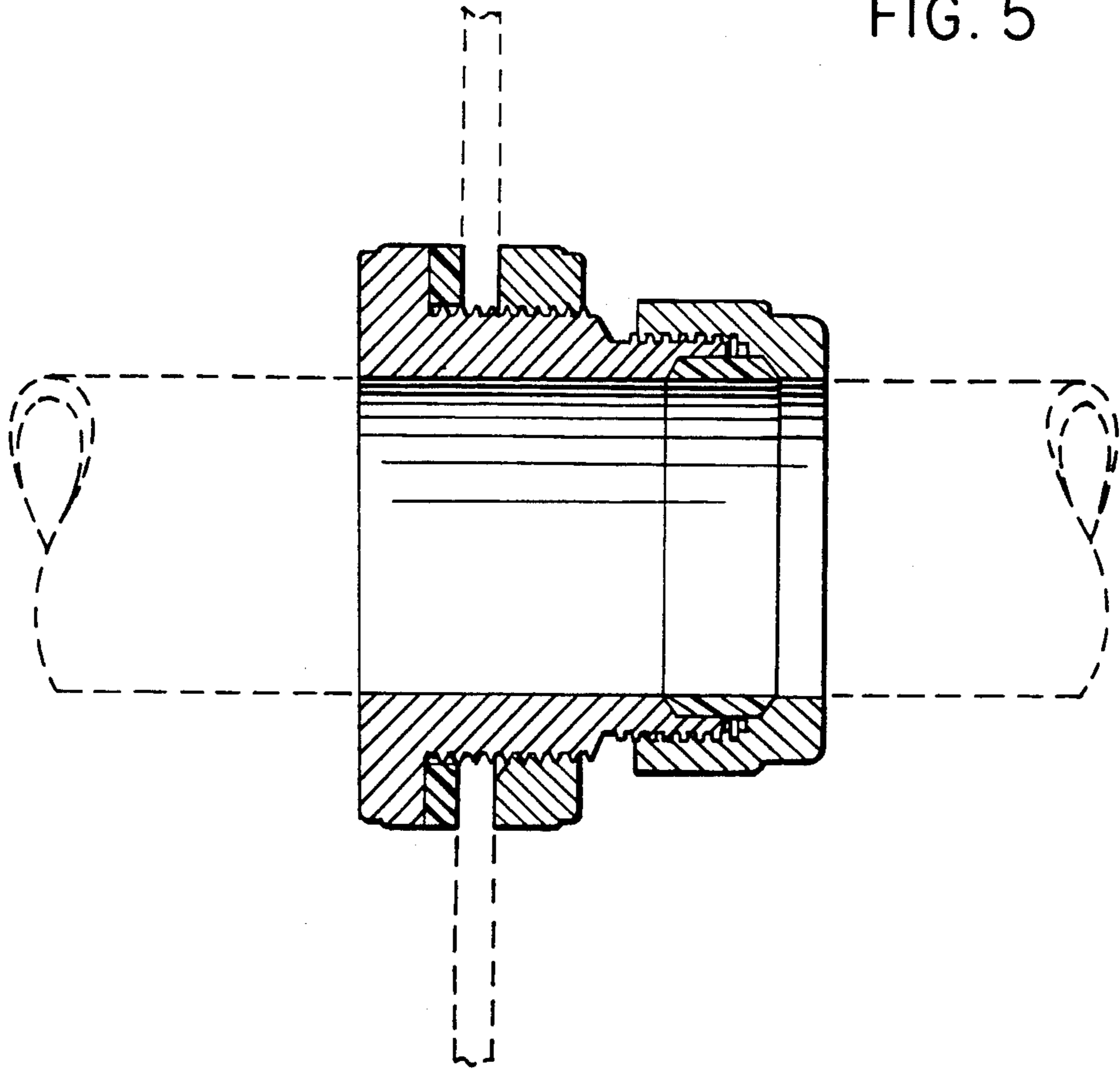


FIG. 6

